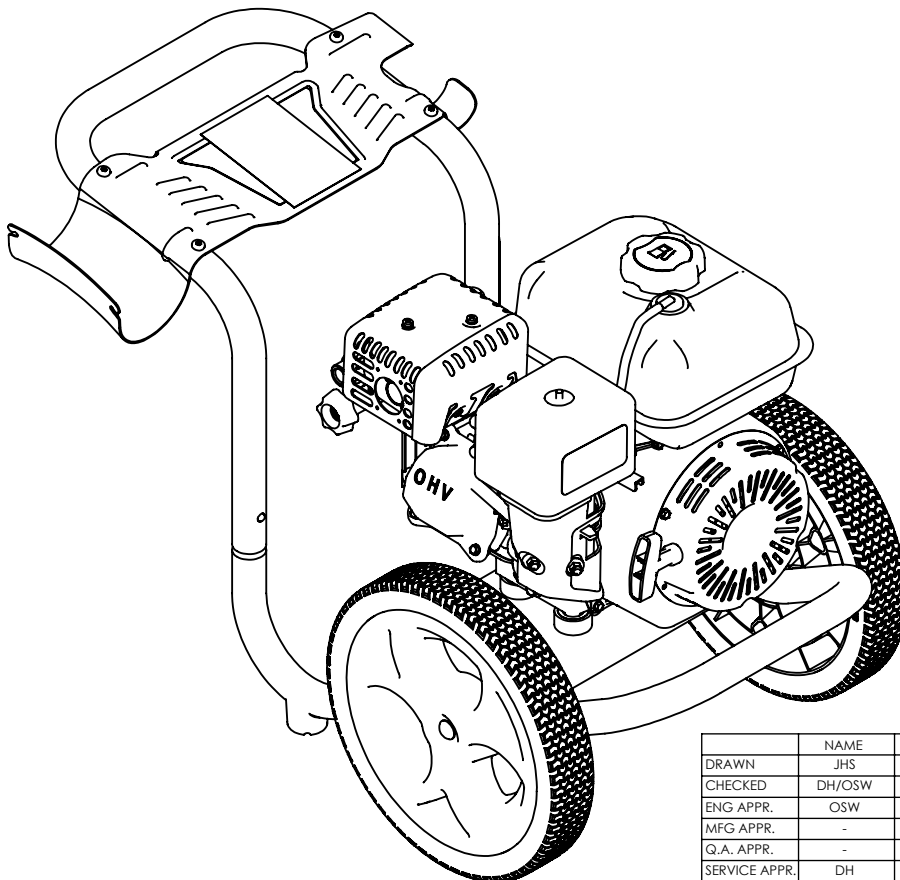


ITEM	PART NO	QTY.	DESCRIPTION
1	7108500	1	FRAME WELDMENT, OPP, BLACK W/FEET
1.1	7102122	2	BUTTON, SNAP
1.2	7105468	2	FOOT, SVC KIT FITTED RUBBER AND SCREW
2	7109276	1	HANDLE ASSEMBLY KIT, MS60850
2.1	7107896	1	TUBE, HANDLE OPP PUNCH-BENT 18GA BLACK
2.2	7108108	1	DASHBOARD, STEEL OPP 5-HOLE SILVER
† 2.3		4	SCREW , TORX PANHEAD TT 1/4"-20 x 3/4"
3	7110074	1	ENGINE, SVC KIT ASSY, 49 ST W/LABELS
4	7108382	1	HARDWARE KIT, ENGINE MOUNT VIBRATION DAMPING
5	7108669	2	WHEEL KIT, 12" x 2"
6	7105474	1	HARDWARE KIT, PUMP MOUNTING
7	520006	1	PUMP, HORZ, 12mm X 12DEG, ALUM UNIHEAD
† 8		1	CAP, UNLOADER COVER 1 1/2" x 5/8" BLACK

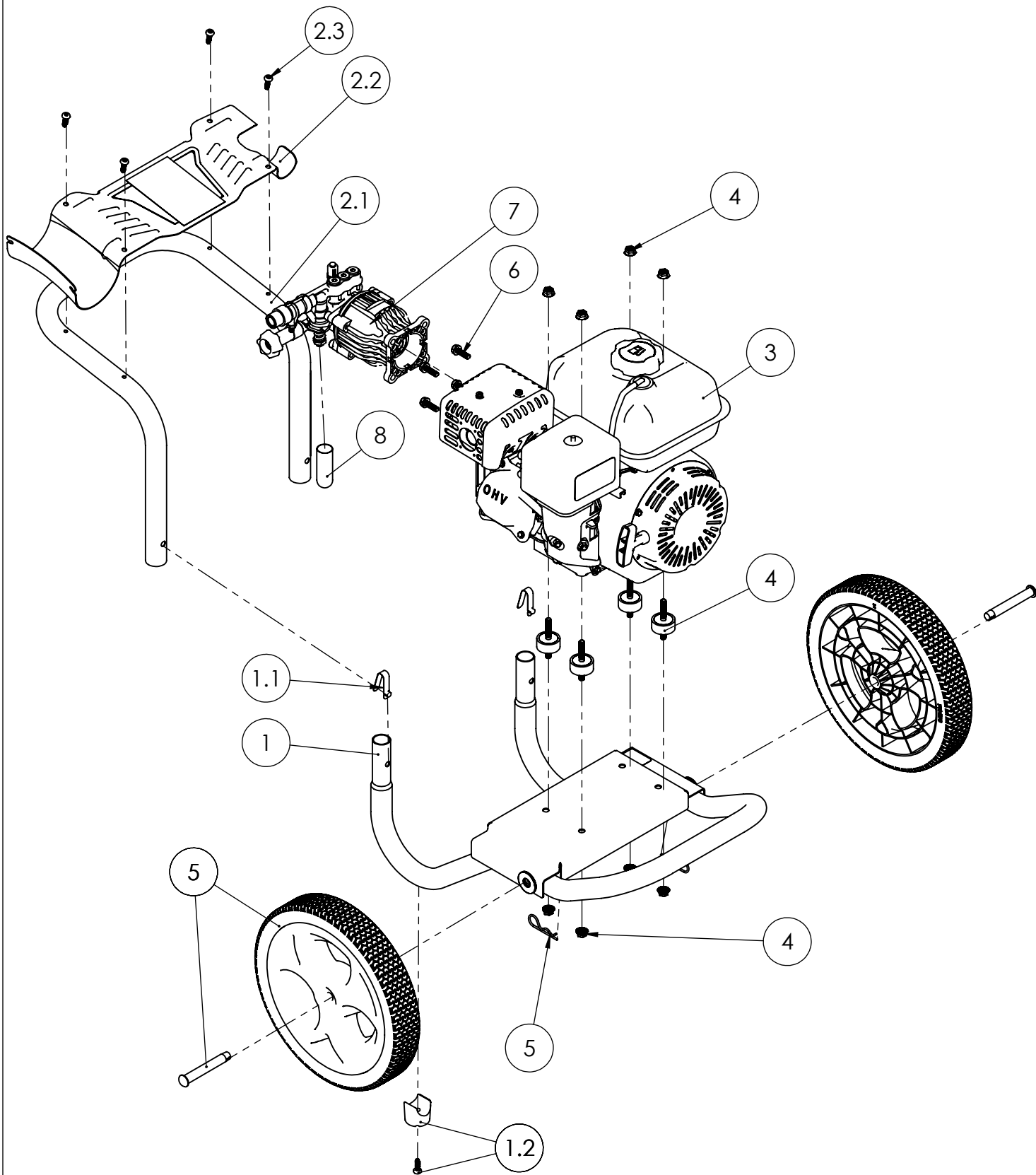


\* NOT SHOWN  
† NOT SOLD SEPERATELY

	NAME	DATE
DRAWN	JHS	JULY 2017
CHECKED	DH/OSW	JULY 2017
ENG APPR.	OSW	JULY 2017
MFG APPR.	-	-
Q.A. APPR.	-	-
SERVICE APPR.	DH	JULY 2017

**PROPRIETARY AND CONFIDENTIAL**  
THE INFORMATION CONTAINED IN THIS DRAWING IS THE SOLE PROPERTY OF FNA-GROUP. ANY REPRODUCTION IN PART OR AS A WHOLE WITHOUT THE WRITTEN PERMISSION OF FNA-GROUP IS PROHIBITED.

FNA-GROUP		
1265 INDUSTRIAL STREET, DECATUR, AR 72722		
TITLE:		
MS60850		
SIZE	DWG. NO.	REV.
<b>A</b>	60850-S	<b>A</b>
SCALE: N/A	ECN# - DC17-0224	SHEET 1 OF 3

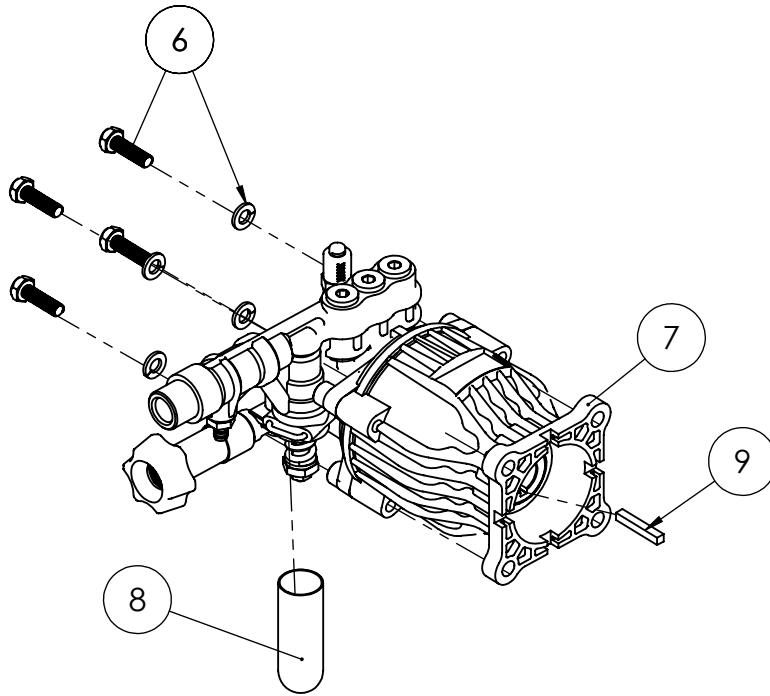


SIZE	DWG. NO.	REV.
<b>A</b>	<b>60850-S</b>	<b>A</b>
SCALE: N/A	ECN # -DC17-0224	SHEET 2 OF 3

ITEM	PART NO	QTY.	DESCRIPTION
6	7105474	1	HARDWARE KIT, PUMP MOUNTING
7	520006	1	PUMP, HORZ, 12mm X 12DEG, ALUM UNIHEAD
† 8		1	CAP, UNLOADER COVER 1 1/2" x 5/8" BLACK
9	7104174	1	KEY, SHAFT 3/16" x 3/16" x 1 1/4"

\* NOT SHOWN

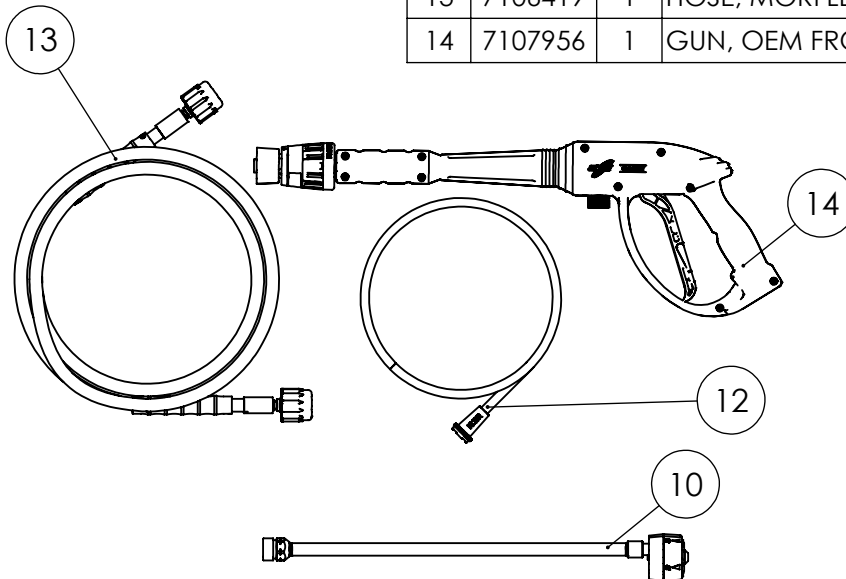
† NOT SOLD SEPERATELY



ITEM	PART NO	QTY.	DESCRIPTION
10	7108048	1	5-IN-1 NOZZLE WITH LANCE 0,15,25,40&SOAP
* 11	7102045	1	TOOL, NOZZLE CLEANING, UNIVERSAL
12	7102207	1	KIT, SVC ASSY SOAP HOSE W/PLASTIC FILTER
13	7106419	1	HOSE, MORFLEX 1/4" x 25' x 3100PSI M22(M) x M22(F)
14	7107956	1	GUN, OEM FRONT ENTRY, OF341 3400 PSI W/DNW

\* NOT SHOWN

† NOT SOLD SEPERATELY



SIZE	DWG. NO.	REV.
<b>A</b>	60850-S	<b>A</b>
SCALE: N/A	ECN# - DC17-0224	SHEET 3 OF 3

# PHOENIX 28 SERIES AXIAL PUMP IPL

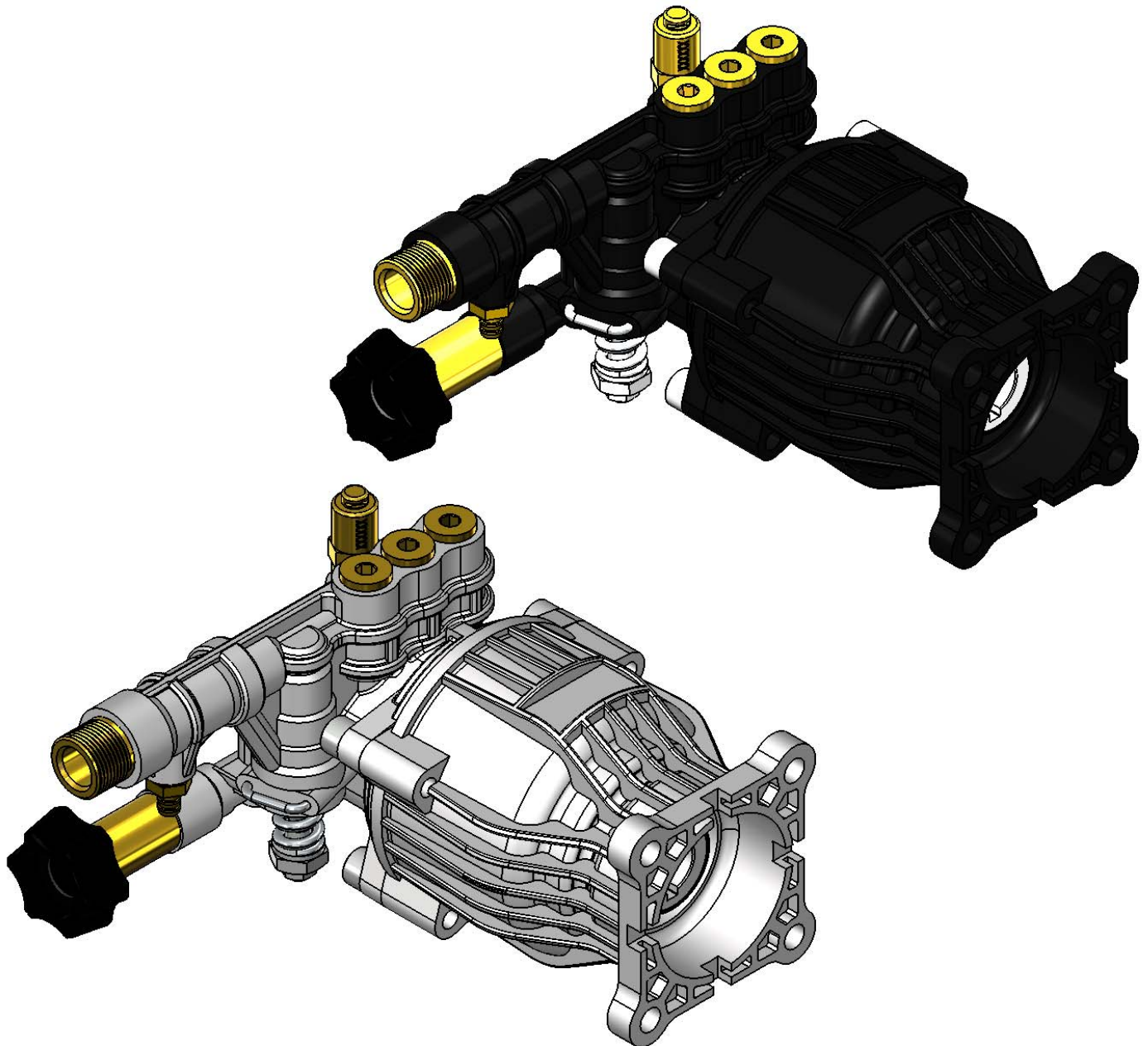
## PUMPS COVERED IN THIS IPL

520004

2.4GPM @ 3000PSI

520006

2.4GPM @ 3000PSI



	NAME	DATE
DRAWN	JHS	AUG 2017
CHECKED	DH/OSW	AUG 2017
ENG APPR.	OSW	AUG 2017
MFG APPR.	-	-
O.A. APPR.	-	-
SERVICE APPR.	DH	AUG 2017

**PROPRIETARY AND CONFIDENTIAL**  
 THE INFORMATION CONTAINED IN THIS DRAWING IS THE SOLE PROPERTY OF FNA-GROUP. ANY REPRODUCTION IN PART OR AS A WHOLE WITHOUT THE WRITTEN PERMISSION OF FNA-GROUP IS PROHIBITED.

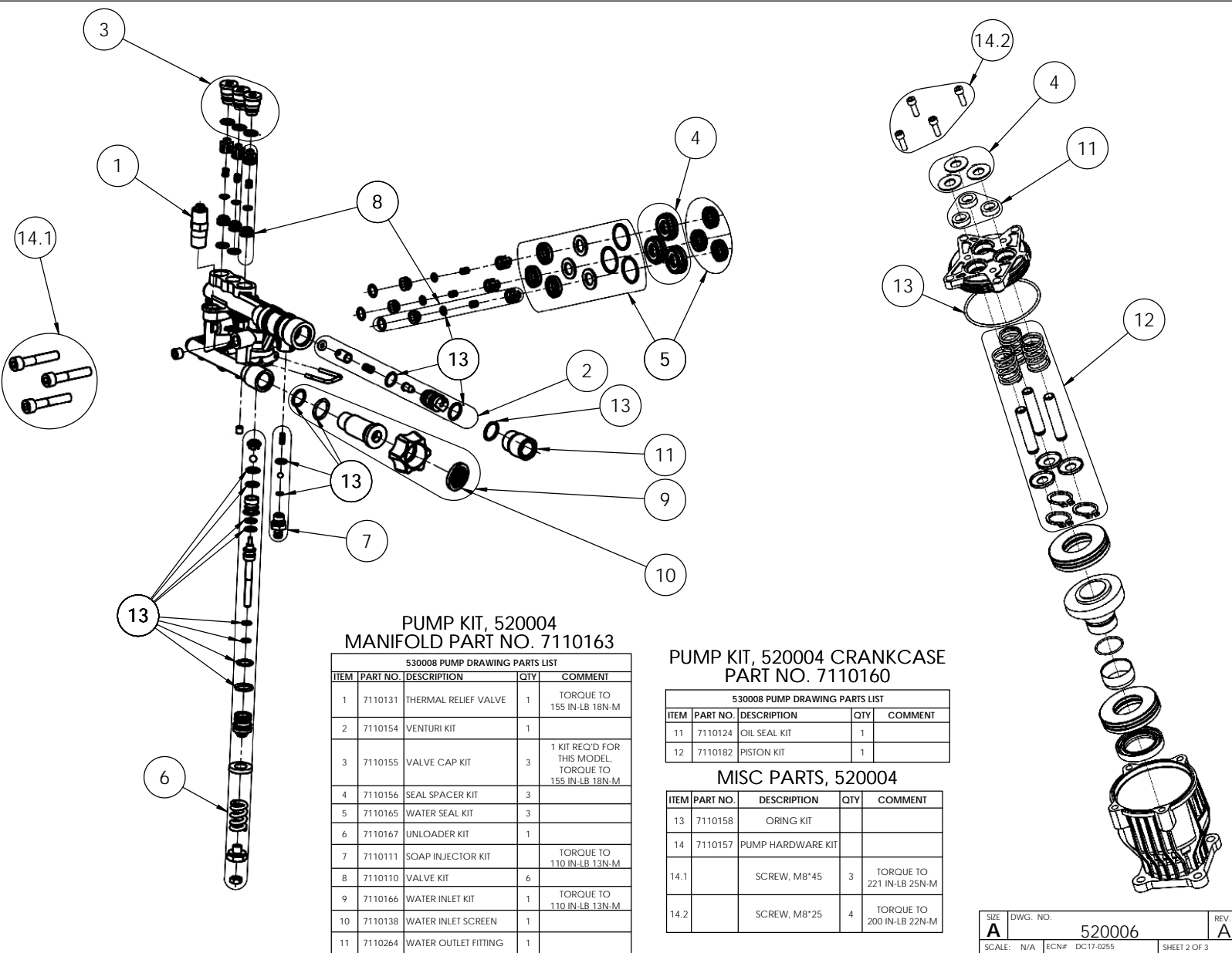
### FNA-GROUP

1265 INDUSTRIAL STREET, DECATUR, AR 72722

TITLE:

PHOENIX 520004 520006  
IPL

SIZE	DWG. NO.	REV.
<b>A</b>	520004 520006	<b>A</b>
SCALE: N/A	ECN# DC17-0255	SHEET 1 OF 3



**PUMP KIT, 520004  
MANIFOLD PART NO. 7110163**

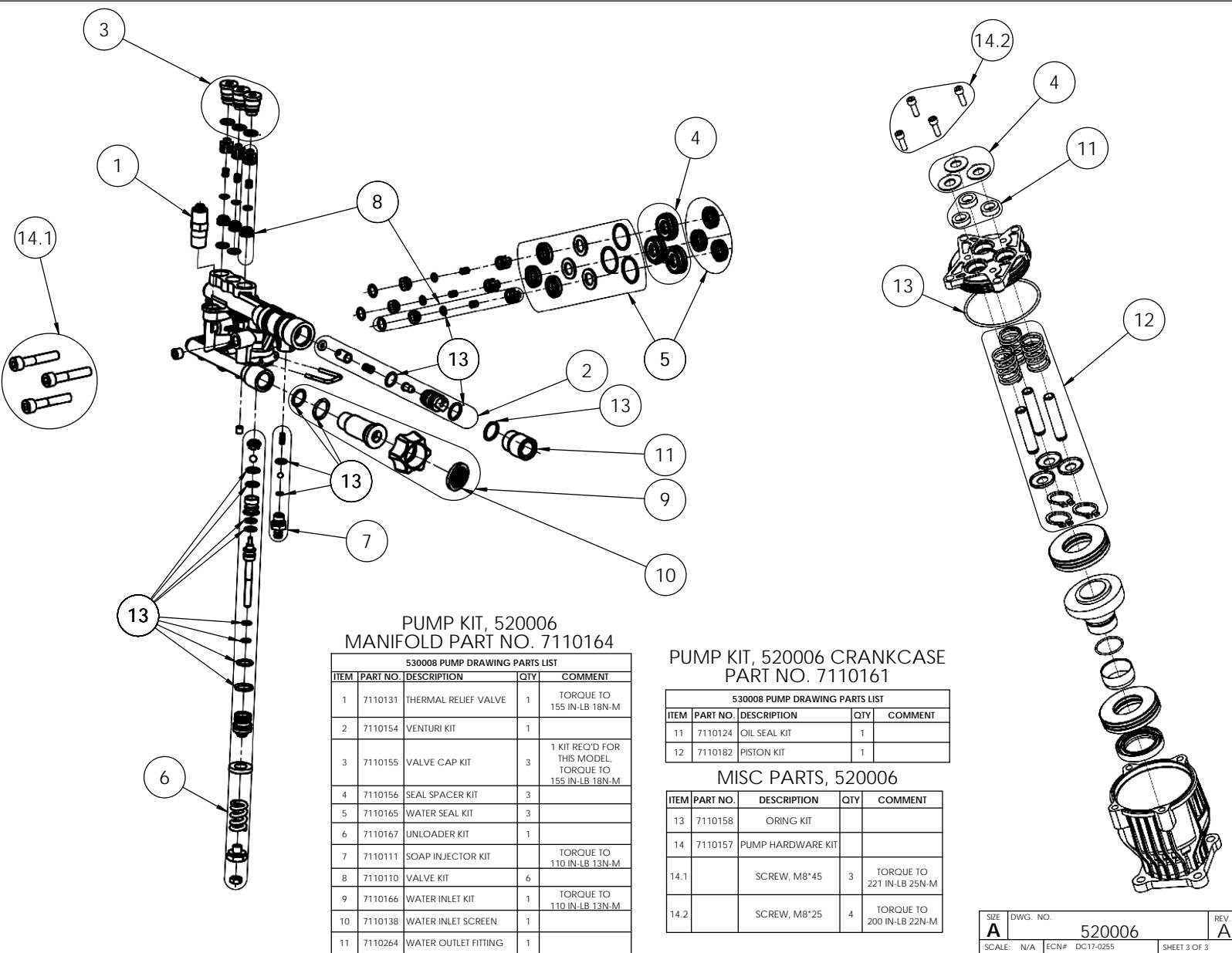
530008 PUMP DRAWING PARTS LIST				
ITEM	PART NO.	DESCRIPTION	QTY	COMMENT
1	7110131	THERMAL RELIEF VALVE	1	TORQUE TO 155 IN-LB 18N-M
2	7110154	VENTURI KIT	1	
3	7110155	VALVE CAP KIT	3	1 KIT REQ'D FOR THIS MODEL, TORQUE TO 155 IN-LB 18N-M
4	7110156	SEAL SPACER KIT	3	
5	7110165	WATER SEAL KIT	3	
6	7110167	UNLOADER KIT	1	
7	7110111	SOAP INJECTOR KIT		TORQUE TO 110 IN-LB 13N-M
8	7110110	VALVE KIT	6	
9	7110166	WATER INLET KIT	1	TORQUE TO 110 IN-LB 13N-M
10	7110138	WATER INLET SCREEN	1	
11	7110264	WATER OUTLET FITTING	1	

**PUMP KIT, 520004 CRANKCASE  
PART NO. 7110160**

530008 PUMP DRAWING PARTS LIST				
ITEM	PART NO.	DESCRIPTION	QTY	COMMENT
11	7110124	OIL SEAL KIT	1	
12	7110182	PISTON KIT	1	

**MISC PARTS, 520004**

ITEM	PART NO.	DESCRIPTION	QTY	COMMENT
13	7110158	ORING KIT		
14	7110157	PUMP HARDWARE KIT		
14.1		SCREW, M8*45	3	TORQUE TO 221 IN-LB 25N-M
14.2		SCREW, M8*25	4	TORQUE TO 200 IN-LB 22N-M



PUMP KIT, 520006  
MANIFOLD PART NO. 7110164

530008 PUMP DRAWING PARTS LIST				
ITEM	PART NO.	DESCRIPTION	QTY	COMMENT
1	7110131	THERMAL RELIEF VALVE	1	TORQUE TO 155 IN-LB 18N-M
2	7110154	VENTURI KIT	1	
3	7110155	VALVE CAP KIT	3	1 KIT REQ'D FOR THIS MODEL, TORQUE TO 155 IN-LB 18N-M
4	7110156	SEAL SPACER KIT	3	
5	7110165	WATER SEAL KIT	3	
6	7110167	UNLOADER KIT	1	
7	7110111	SOAP INJECTOR KIT		TORQUE TO 110 IN-LB 13N-M
8	7110110	VALVE KIT	6	
9	7110166	WATER INLET KIT	1	TORQUE TO 110 IN-LB 13N-M
10	7110138	WATER INLET SCREEN	1	
11	7110264	WATER OUTLET FITTING	1	

PUMP KIT, 520006 CRANKCASE  
PART NO. 7110161

530008 PUMP DRAWING PARTS LIST				
ITEM	PART NO.	DESCRIPTION	QTY	COMMENT
11	7110124	OIL SEAL KIT	1	
12	7110182	PISTON KIT	1	

MISC PARTS, 520006

ITEM	PART NO.	DESCRIPTION	QTY	COMMENT
13	7110158	ORING KIT		
14	7110157	PUMP HARDWARE KIT		
14.1		SCREW, M8*45	3	TORQUE TO 221 IN-LB 25N-M
14.2		SCREW, M8*25	4	TORQUE TO 200 IN-LB 22N-M