



Spare parts list

(16017010) K 3.67MD PLUS

(16017020) K 3.67M *CA

(16017040) K 3.69 M

CONTENT LIST

1.0 Housing

2.0 Pump set

2.1 Housing

2.2 Thrust guidance

3.0 Motor

4.0 Accessories

4.1 Hand trigger gun

VERSION 1

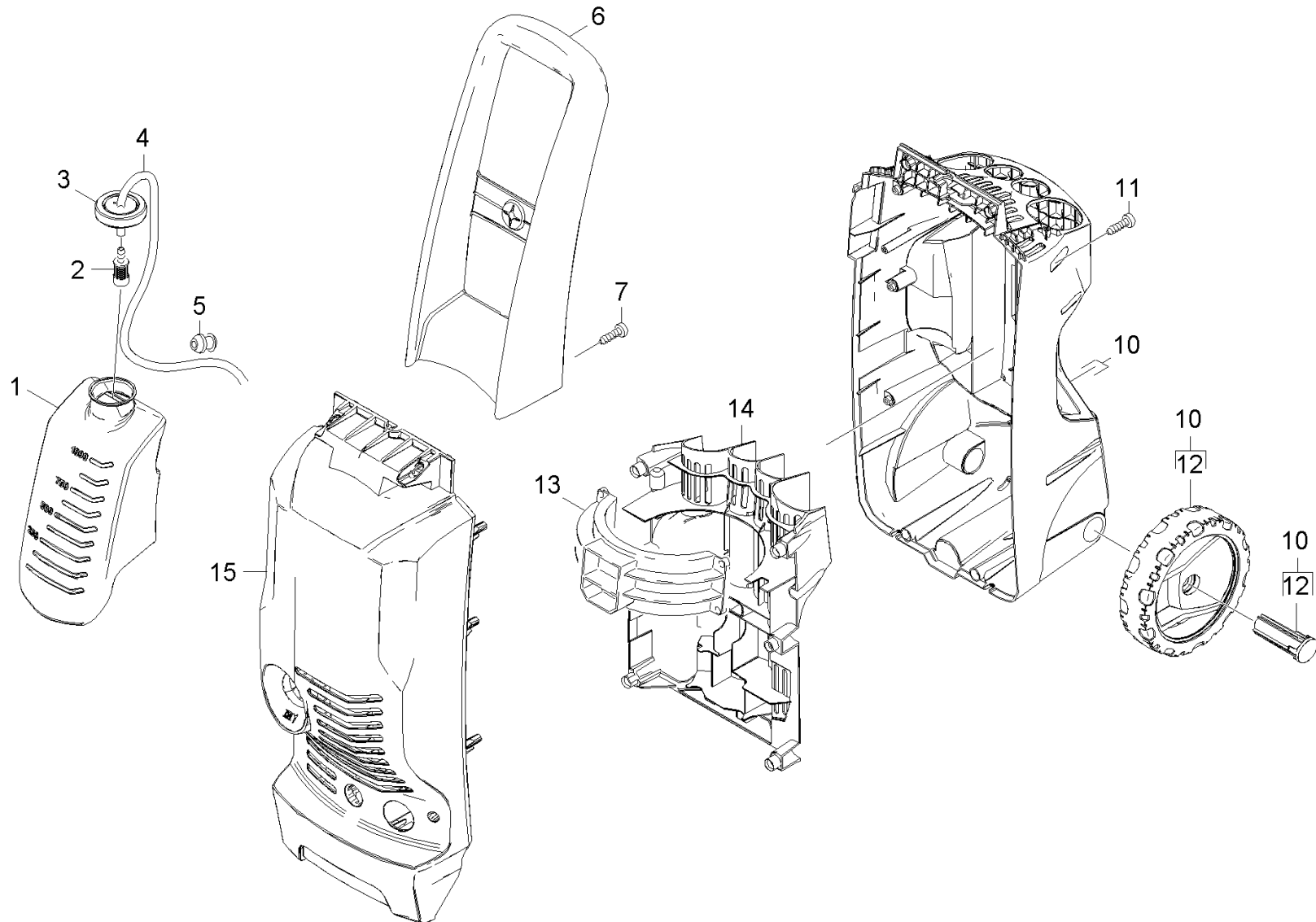
4.2 Hand trigger gun

VERSION 2

4.3 Jet pipe

5.0 Electric box

1.0 Housing



1.0 Housing

POS	DESCRIPTION ADDITIONAL INFORMATIONS	PART NO	QTY.	FROM SER.NR.	UP TO SER. NR.
1	Tank cleaning agents	97603880	1		
2	Filter with weight	57316090	1		
3	Detergent tank cap	97603890	1		
4	Hose DN 5	63882160	1		
	TO ORDER AS CUT GOODS				
5	Wire protecting sleeve cleaning agents h	97603900	1		
6	Hand grip W305/K3.67	97603950	1		
7	Screw 4x22	90862030	2		
10	Chassis rear complete K3.48	97761190	1		
11	Screw Hi-Lo d.4x22 Torx-d.7,5	90861730	8		
12	Wheel set K3.68 / K3.48	97760570	1		
13	Flange bracket KX.68	90373650	1		
14	Moulded part KX.68	90374040	1		
15	Cover front (K3.67)	97603920	1		

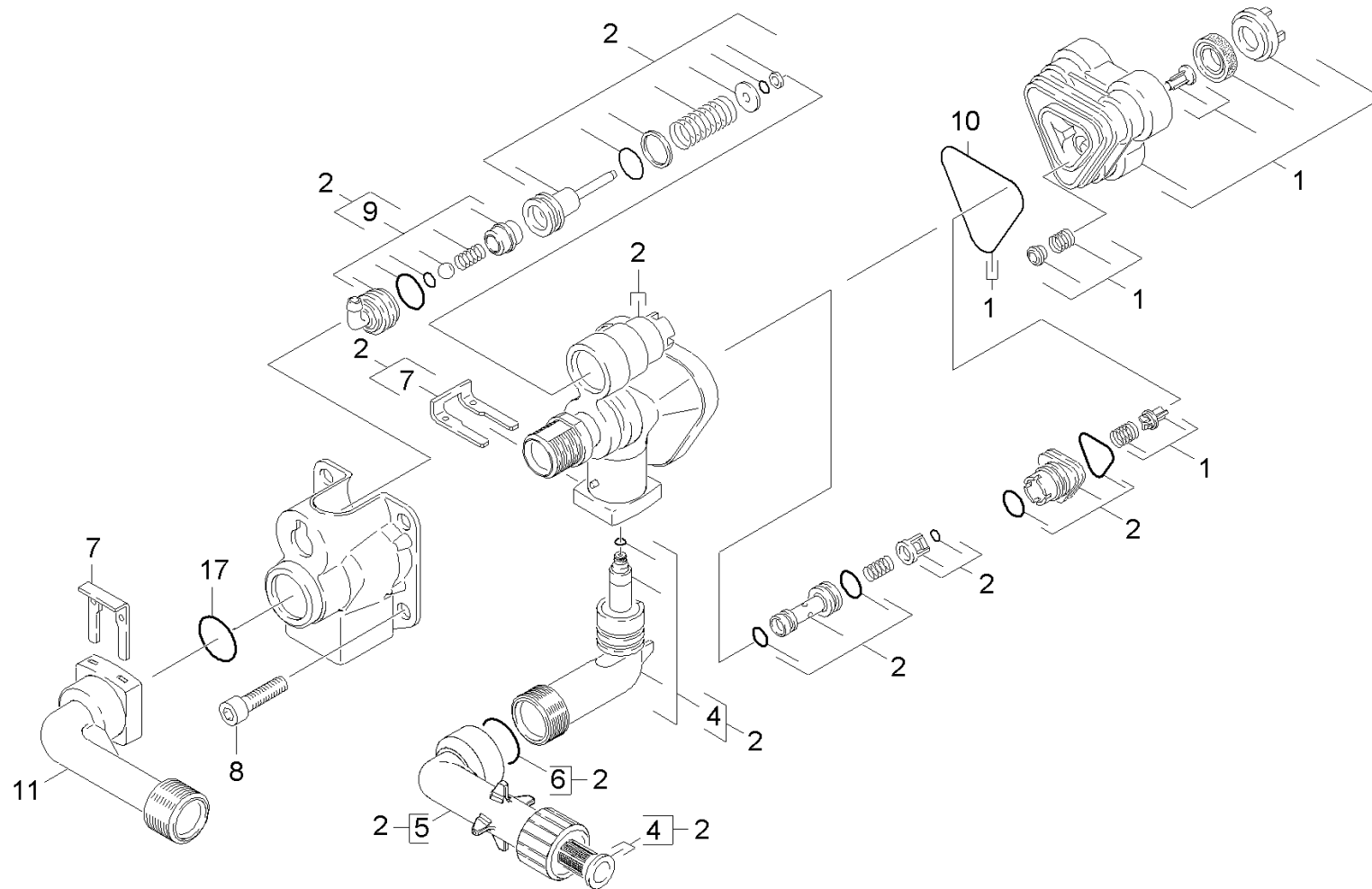
2.0 Pump set

2.1 Housing

2.2 Thrust guidance



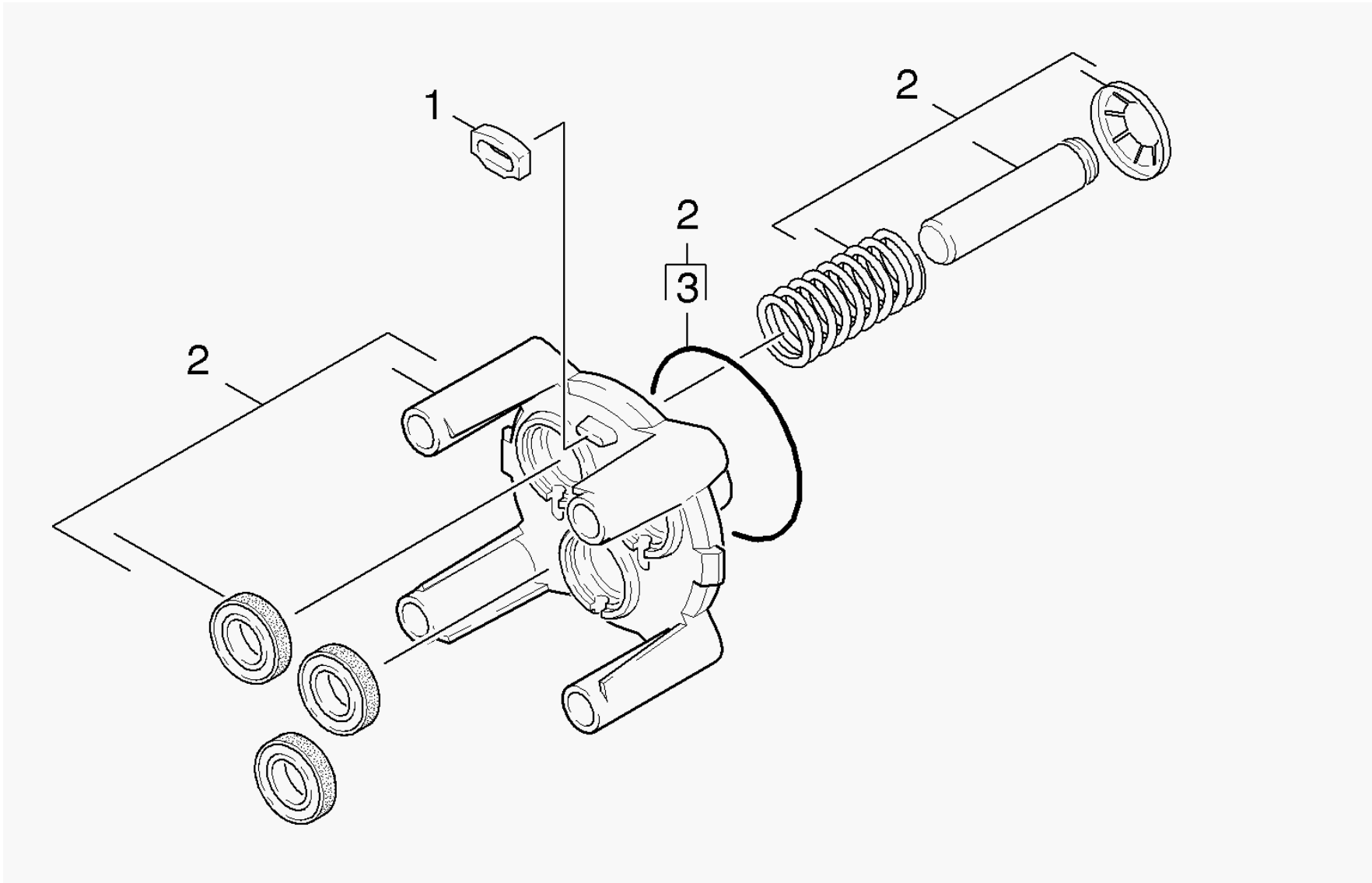
2.1 Housing



2.1 Housing

POS	DESCRIPTION ADDITIONAL INFORMATIONS	PART NO	QTY.	FROM SER.NR.	UP TO SER. NR.
1	H.P. head complete Spare Part	97601970	1		
2	Housing complete 1.601-701.0 /-702.0 /	97760370	1		
2	Housing complete 1.601-704.0	97760580	1		
4	Spare parts set suction connection	90013750	1		
5	Suction connection replacement 1.601-701.0 /-702.0 /	97760380	1		
5	Suction connection replacement 1.601-704.0	97760590	1		
6	O-Ring d.17,86x2,62	90814200	1		
7	Metal fork	90391480	2		
8	Screw M 8x55 Class 8.8	90862000	4		
9	Detergent fitting assembly (CEN)	97500580	1		
10	Form seal	90814220	1		
11	Connection delivery side	90367030	1		
14	Cage complete	90011070	1		
15	Spring	90470260	1		
16	Injector complete	90011080	1		
17	O-Ring d. 10 x 2 NBR 70	63621510	1		

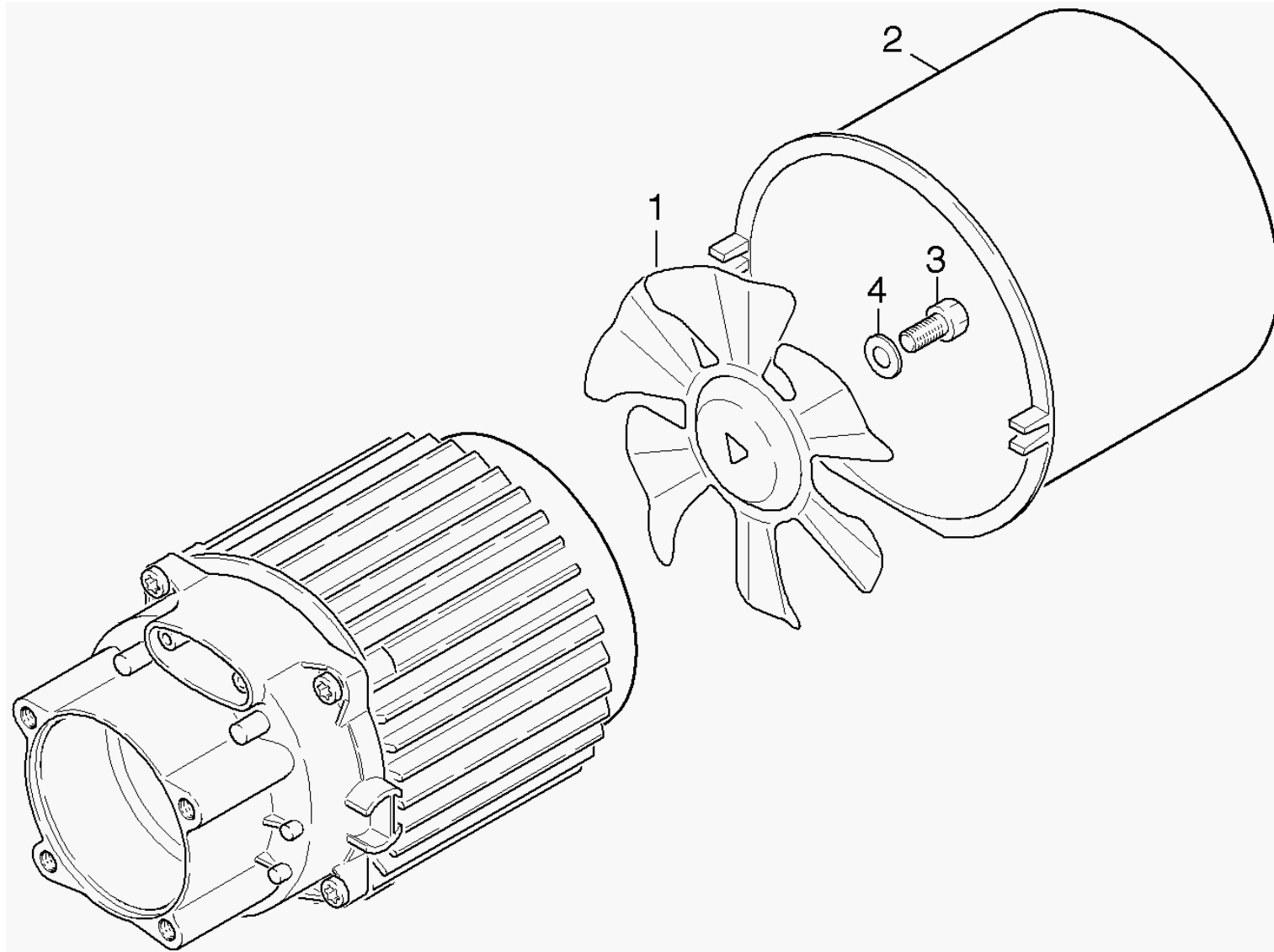
2.2 Thrust guidance



2.2 Thrust guidance

POS	DESCRIPTION ADDITIONAL INFORMATIONS	PART NO	QTY.	FROM SER.NR.	UP TO SER. NR.
1	Spacer - Seal	90480710	1		
2	THRUST kpl	90118520	1		
3	GASKET 61,6 X 2,62	63628260	1		

3.0 Motor



3.0 Motor

POS	DESCRIPTION ADDITIONAL INFORMATIONS	PART NO	QTY.	FROM SER.NR.	UP TO SER. NR.
1	Blower wheel	90391880	1		
2	FAN COVER	90370440	1		
3	Hexagonal head screw M8x16-8.8-A2E ISO	73043950	1		
4	Serrated lock washer A8,4-FSt-A3E DIN67	73122330	1		

4.0 Accessories

4.1 Hand trigger gun

VERSION 1

4.2 Hand trigger gun

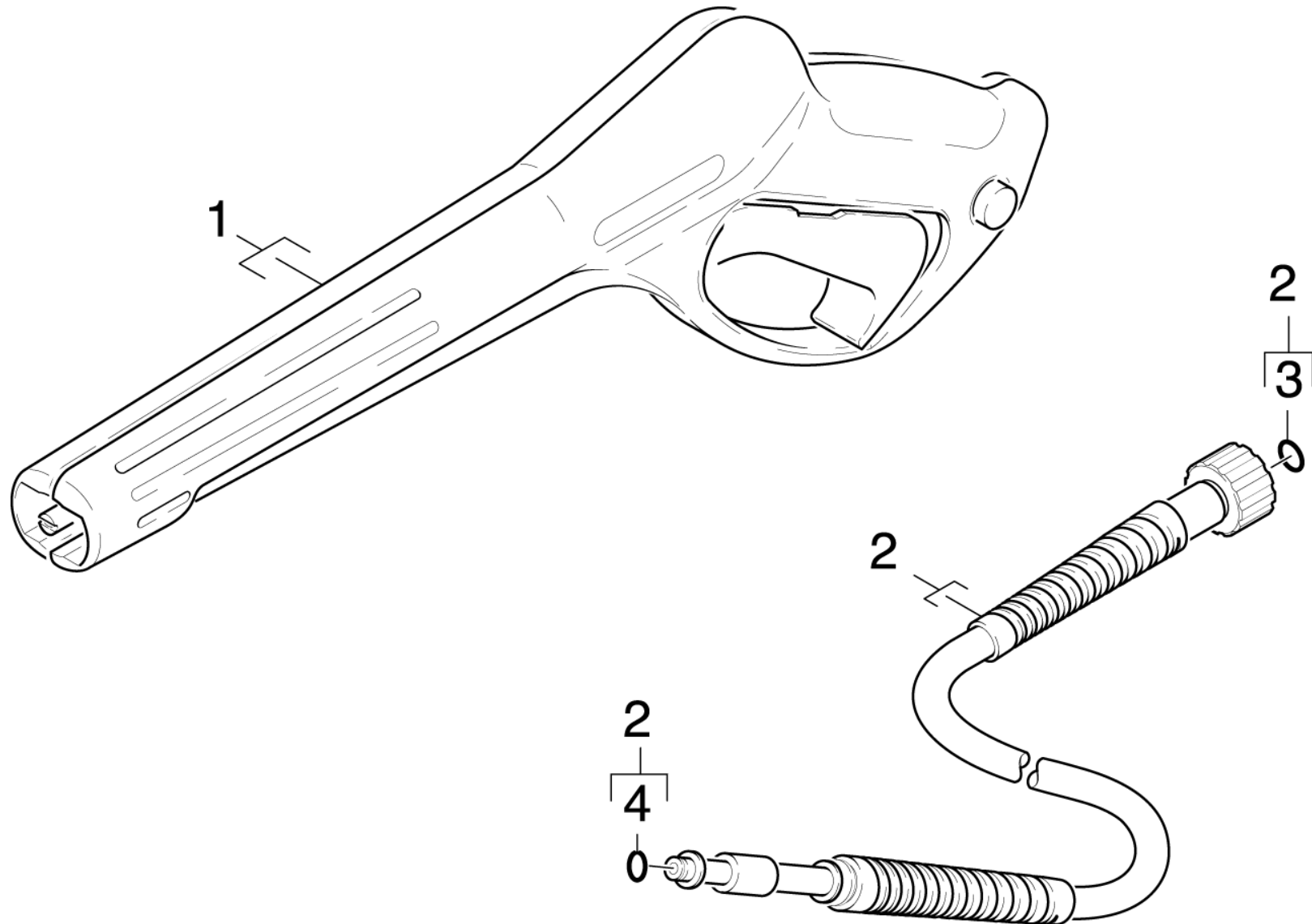
VERSION 2

4.3 Jet pipe



4.1 Hand trigger gun

VERSION 1



4.1 Hand trigger gun

VERSION 1

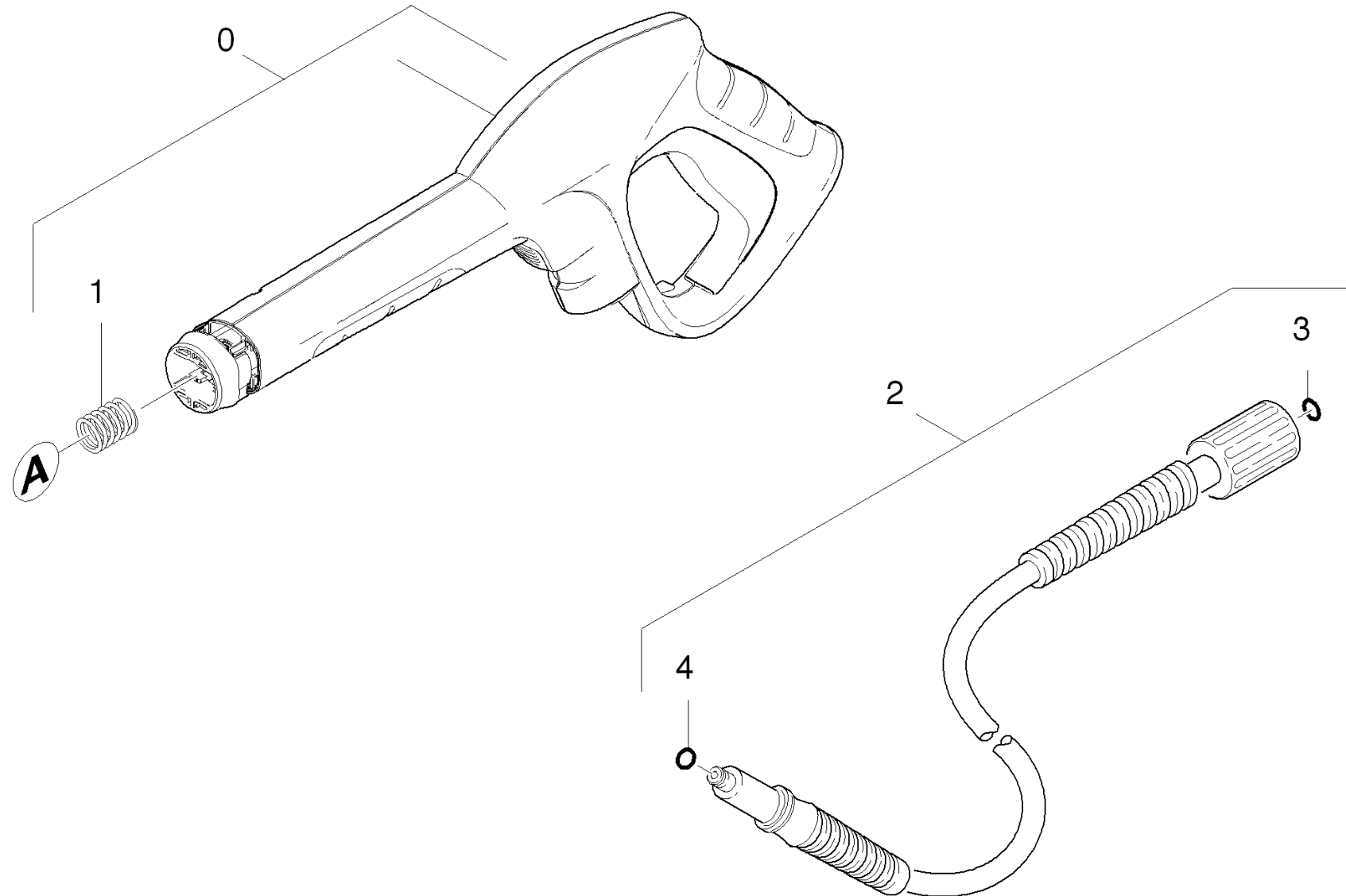
POS	DESCRIPTION	PART NO	QTY.	FROM SER.NR.	UP TO SER. NR.
-----	-------------	---------	------	--------------	----------------

ADDITIONAL INFORMATIONS

1	Pistol replacement 97K	47753310	1		
2	High pressure hose 7,5/13MPa	63916630	1		
3	O-Ring kit	28801540	1		
4	O-Ring seal 6,75x1,78 NBR 70	63624980	1		

4.2 Hand trigger gun

VERSION 2

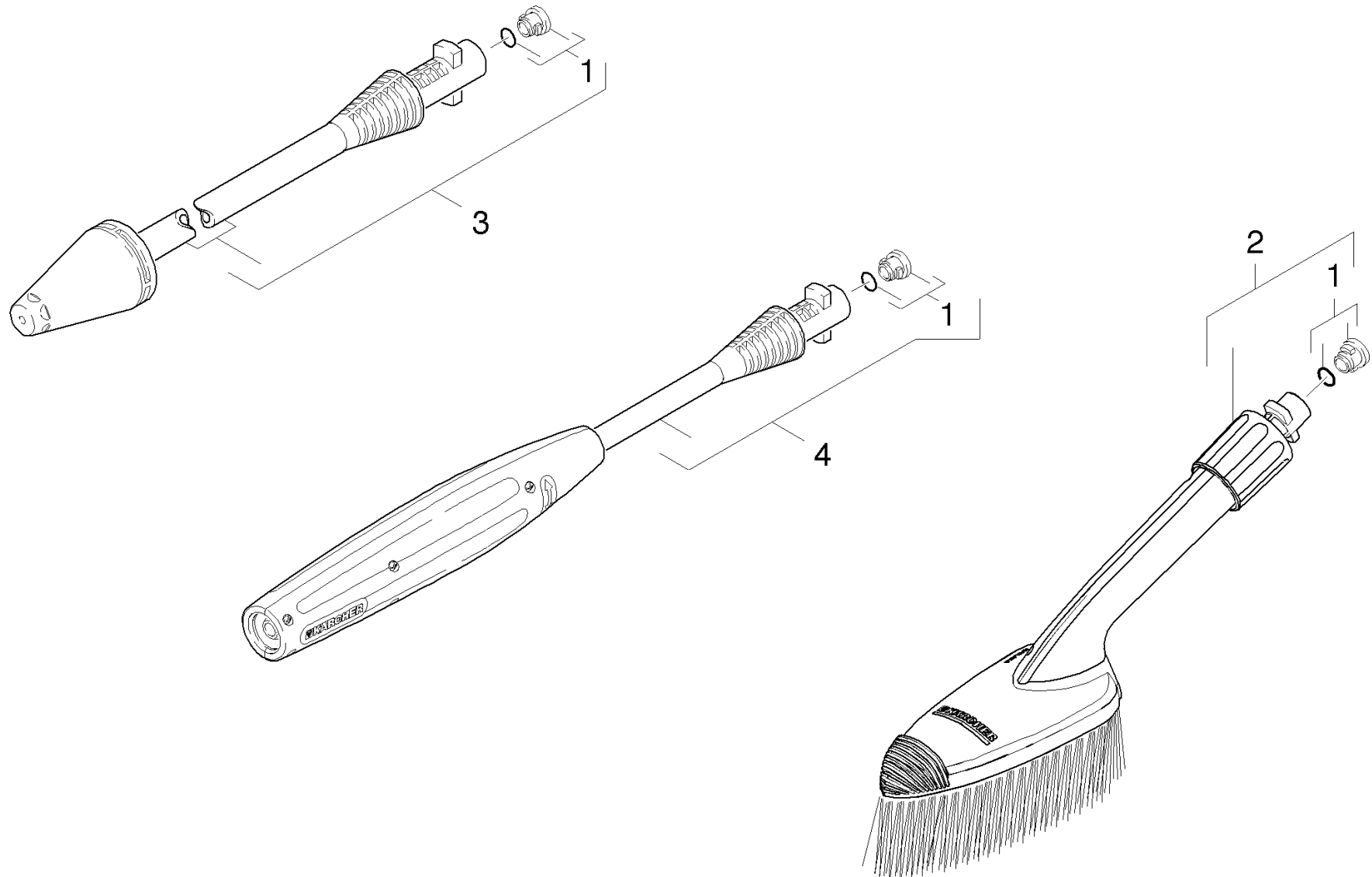


4.2 Hand trigger gun

VERSION 2

POS	DESCRIPTION ADDITIONAL INFORMATION	PART NO	QTY.	FROM SER.NR.	UP TO SER. NR.
0	Pistol best Ersatz verpackt	26416100	1		
1	Pressure spring	53324640	1		
2	High pressure hose 16MPa/9m 60°C, verp.	26417060	1		
3	Spare part set O-Ring seal 5x-Kaercher	28802960	1		
4	O-Ring seal 5,7x1,78 NBR 90Shore	63634100	1		

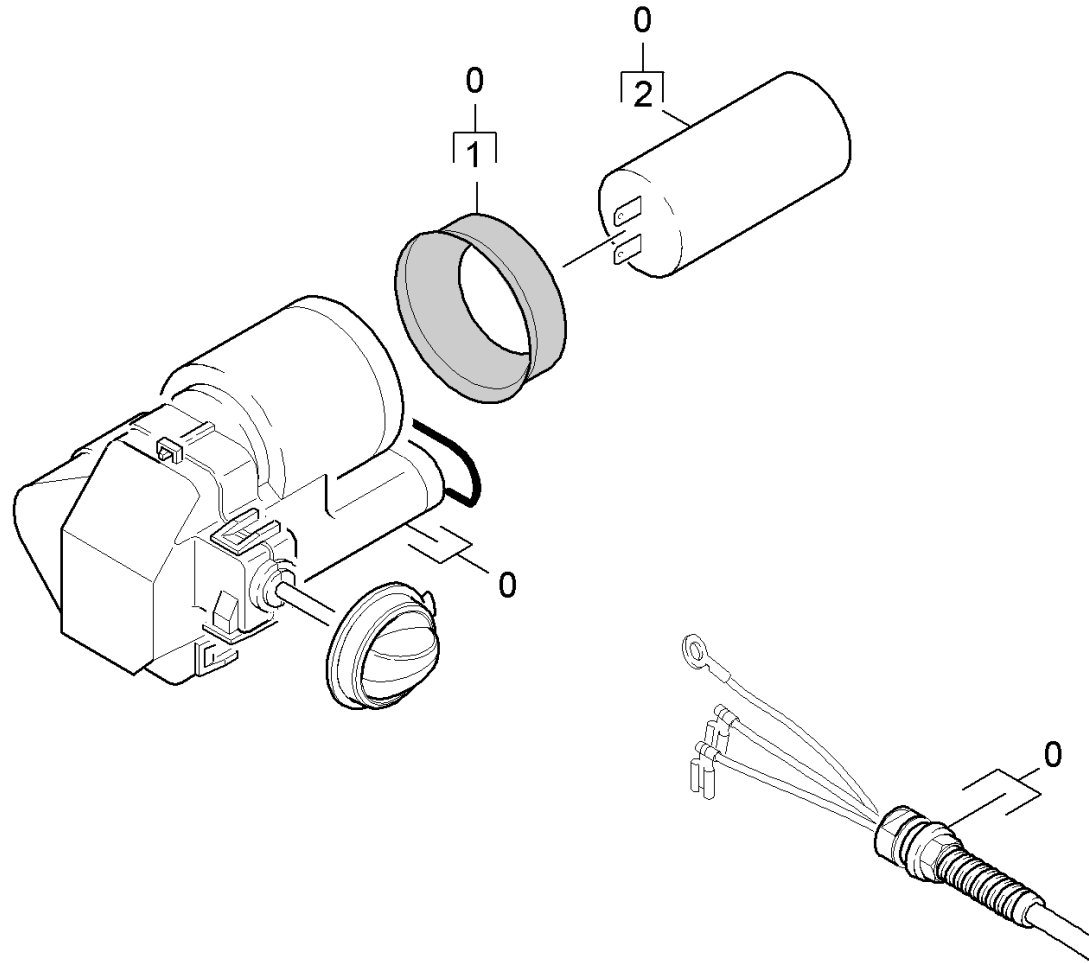
4.3 Jet pipe



4.3 Jet pipe

POS	DESCRIPTION ADDITIONAL INFORMATIONS	PART NO	QTY.	FROM SER.NR.	UP TO SER. NR.
1	O-Ring seal set	26407290	1		
2	Brush lengthwise	26405890	1		
3	Rotor nozzle LP/027	47639910	1		
4	VPS K3 0225 K	47605850	1		

5.0 Electric box



5.0 Electric box

POS	DESCRIPTION ADDITIONAL INFORMATIONS	PART NO	QTY.	FROM SER.NR.	UP TO SER. NR.
0	Electric box complete 1.601-701.0 /-702.0 /	97760390	1		
0	Electric box complete K3.68 1.601-704.0	97760610	1		
1	Joint ring capacitor d.45, 70 Shore	90804210	1		
2	Capacitor 60uF (6.661-196)	97602050	1		