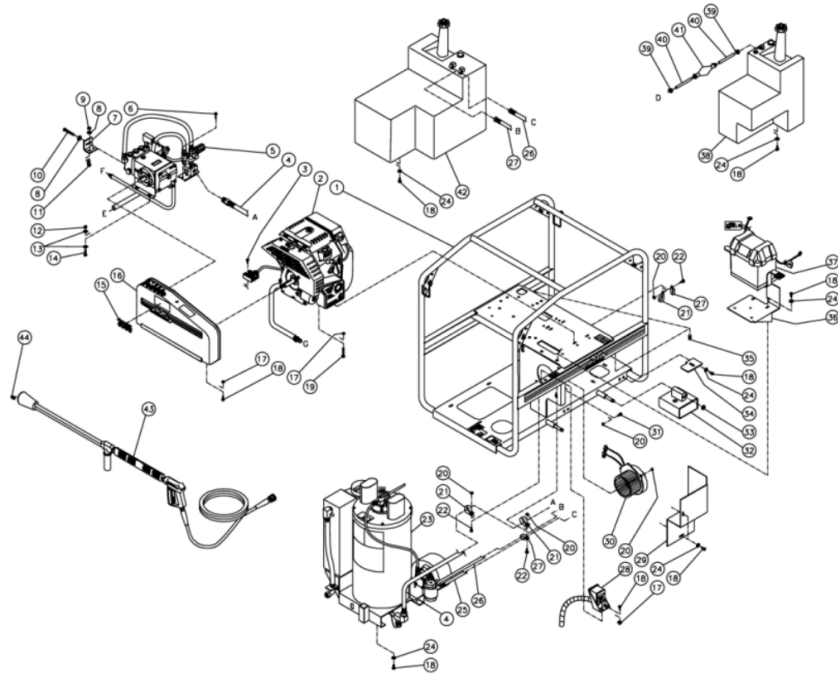




HSD-3505-0MGH / HSD-3505-0MGH (sn:0-99999999)

FRAME ASSEMBLY



Id	Item #	Description	Quantity	Rev	Comments
1	850-0237	FRAME ASSEMBLY	1		
2	N/A Sep.	ENGINE ASSEMBLY (SEE EXPLODED DRAWING)	1		
3	27-8403	BOLT	2		
4	15-0186	HIGH PRESSURE HOSE	1		

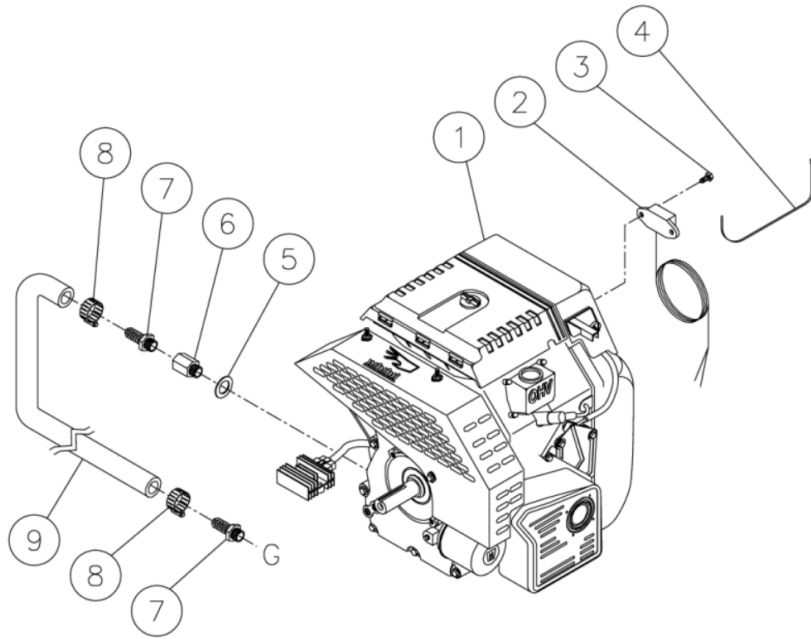
Id	Item #	Description	Quantity	Rev	Comments
5	N/A Sep.	PUMP UNLOADER ASSEMBLY (SEE EXPLODED DRAWING)	1		
6	27-9525	BOLT	2		
7	13-0003A01	PUMP TIGHTNER BRACKET	1		
8	28-0023	WASHER	3		
9	30-0159	LOCKNUT	2		
10	27-0576	BOLT	1		
11	27-0118	BOLT	2		
12	30-0161	LOCKNUT	4		
13	28-0030	WASHER	8		
14	27-0166	BOLT	4		
15	N/A	DECAL - DIE CUT 3505	1		
16	N/A Sep.	BELTGUARD ASSEMBLY (SEE EXPLODED DRAWING)	1		
17	30-3023	HEX NUT	9		
18	27-9524	BOLT	24		
19	27-9529	BOLT	4		
20	30-3022	HEXNUT	7		
21	33-0291	CLIP	4		
22	27-8898	BOLT	4		
23	N/A Sep.	HEAT EXCHANGER ASSEMBLY (SEE EXPLODED DRAWING)	1		
24	28-0022	WASHER	17		
25	15-0185	FUEL LINE (INLET)	1		
26	15-0184	FUEL LINE (RETURN)	1		
27	33-0292	CLIP	3		
28	N/A Sep.	SWITCH BOX ASSEMBLY (SEE EXPLODED DRAWING)	1		
29	20-0449A01	EMF GUARD	1		
30	850-0228	EMF ASSEMBLY	1		
31	27-9531	BOLT	1		
32	20-0440A01	SKID FOOT-BLACK	4		
33	30-0117	JAMNUT	4		
34	20-0451A01	SUPPORT BRACKET	1		
35	24-0034	PLUG	2		
36	20-0448A01	BATTERY BRACKET	1		
37	N/A Sep.	BATTERY ASSEMBLY (SEE EXPLODED DRAWING)	1		
38	850-0236	GASOLINE TANK ASSEMBLY	1		
39	42-0004	HOSE CLAMP	4		
40	15-0008	FUEL HOSE *(ONE FOOT REQUIRED)	1		
41	33-0040	PRIMING BULB	1		
42	850-0235	DIESEL FUEL TANK ASSEMBLY	1		
43	N/A Sep.	GUN/LANCE/HOSE ASSEMBLY (SEE EXPLODED DRAWING)	1		

Id	Item #	Description	Quantity	Rev Comments
44	18-0011	NOZZLE - 1505.5 *MUST ORDER IN ONE FOOT LENGTHS	1	



· HSD-3505-0MGH / HSD-3505-0MGH (sn:0-99999999)

ENGINE ASSEMBLY



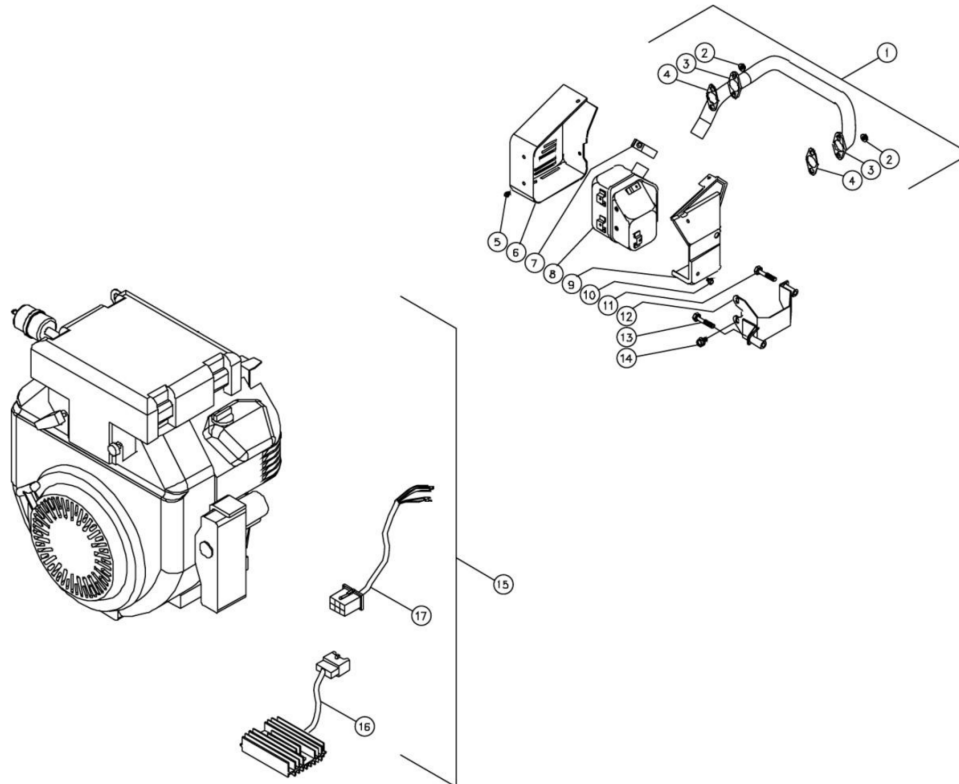
Id	Item #	Description	Quantity	Rev	Comments
1	850-0263	ENGINE ASSEMBLY (INC. 2-9)	1		
2	32-0416	TACH/HOUR METER	1		
3	27-3062	SCREW	2		
4	33-0022	WIRE TIE	1		

Id	Item #	Description	Quantity	Rev	Comments
5	N/A Sep.	WASHER W/ENGINE (SEE 850-0263)	1		
6	23-0372	OIL DRAIN ADAPTER	1		
7	23-0073	HOSE BARB	2		
8	42-0004	HOSE CLAMP	2		
9	15-0020	HOSE (TWO FEET REQUIRED)	1		
		*MUST ORDER IN ONE FOOT LENGTHS			



HSD-3505-0MGH / HSD-3505-0MGH (sn:0-99999999)

EXPLODED ENGINE



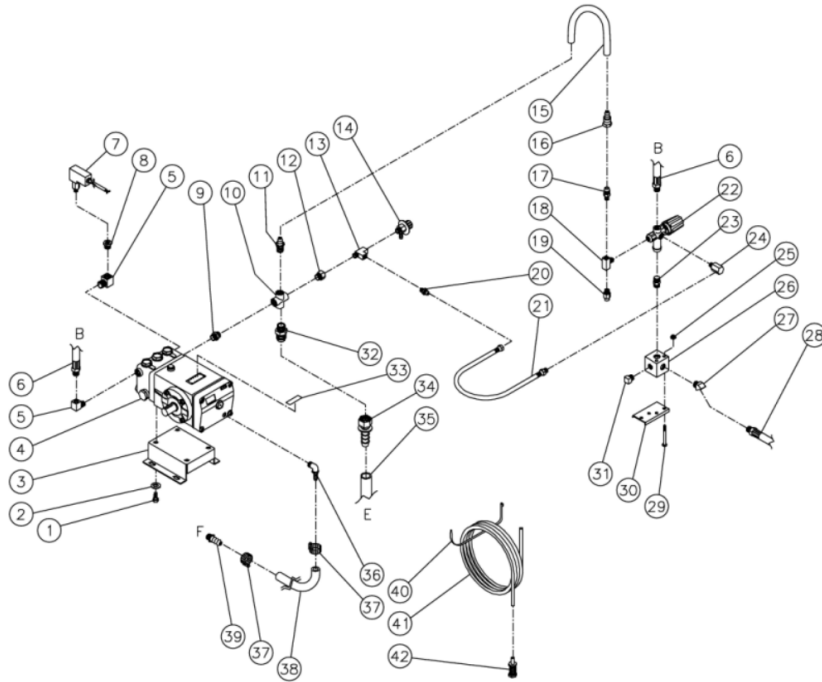
Id	Item #	Description	Quantity	Rev	Comments
1	45-0058	MUFFLER ASSEMBLY (INCLUDES 2-14)	1		
2	N/A Sep.	FLANGE NUT (SEE 45-0058)	4		
3	N/A Sep.	EXHAUST PIPE-OIL FILTER SIDE (SEE 45-0058)	1		
4	N/A Sep.	EXHAUST GASKET (SEE 45-0058)	2		
5	N/A Sep.	SCREW (SEE 45-0058)	4		
6	N/A Sep.	OUTER MUFFLER PROTECTOR (SEE 45-0058)	1		
7	N/A Sep.	EXHAUST PIPE BAND (SEE 45-0058)	1		
8	N/A Sep.	MUFFLER-SIDE MOUNT (SEE 45-0058)	1		
9	N/A Sep.	INNER MUFFLER PROTECTOR (SEE 45-0058)	1		
10	N/A Sep.	FLANGE BOLT (SEE 45-0058)	3		
11	N/A Sep.	FLANGE BOLT (SEE 45-0058)	1		
12	N/A Sep.	MUFFLER STAY (SEE 45-0058)	1		
13	N/A Sep.	FLANGE BOLT (SEE 45-0058)	1		

Id	Item #	Description	Quantity	Rev	Comments
14	N/A Sep.	FLANGE BOLT (SEE 45-0058)	2		
15	1-0102	ENGINE-20 HP HONDA (INC. 15-17)	1		
16	N/A Sep.	VOLTAGE RECTIFIER ASSEMBLY (SEE 1-0102)	1		
17	N/A Sep.	WIRE HARNESS (SEE 1-0102)	1		



HSD-3505-0MGH / HSD-3505-0MGH (sn:0-99999999)

PUMP/UNLOADER



Id	Item #	Description	Quantity	Rev	Comments
1	27-8471	BOLT	4		
2	29-0055	LOCKWASHER	4		
3	5-0101A01	PUMP BRACKET- BLACK	1		
4	3-0079	PUMP	1		

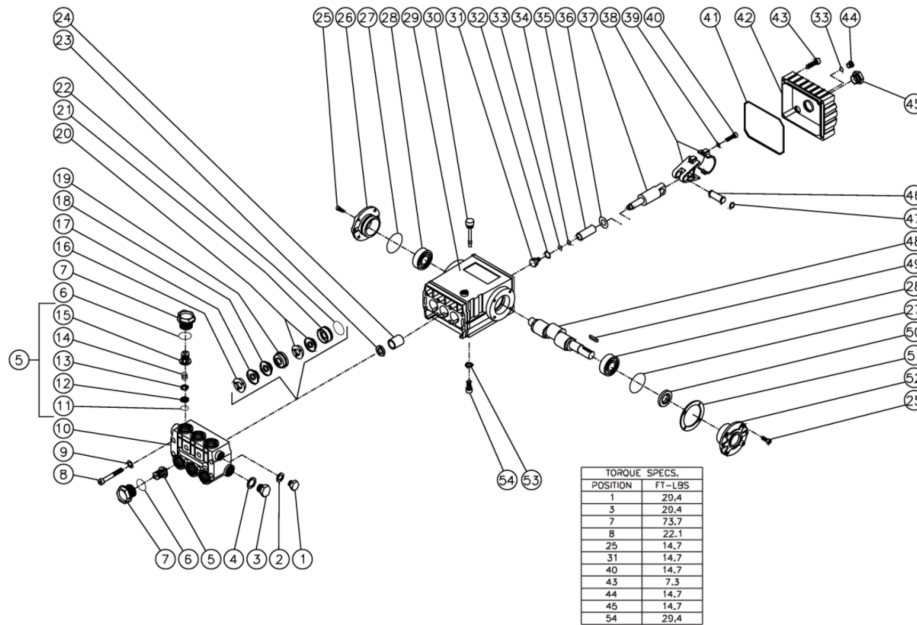
Id	Item #	Description	Quantity	Rev	Comments
5	23-0034	ELBOW	2		
6	15-0197	HIGH PRESSURE HOSE	1		
7	22-0171	PRESSURE SWITCH	1		
8	23-0017	BUSHING	1		
9	23-0012	NIPPLE	1		
10	23-0071	CROSS	1		
11	23-0005	HOSE BARB	1		
12	23-0056	REDUCER	1		
13	23-0127	TEE	1		
14	22-0133	DETERGENT VALVE	1		
15	15-0200	HOSE *(TWO FEET REQUIRED)	1		
16	23-0360	HOSE BARB	1		
17	23-0370	NIPPLE	1		
18	23-0015	TEE	1		
19	22-0208	HEAT DUMP	1		
20	23-0247	NIPPLE	1		
21	15-0140	HOSE ASSEMBLY	1		
22	850-0252	UNLOADER	1		
23	23-0018	NIPPLE	1		
24	22-0281	EASY START VALVE	1		
25	30-3023	NUT	2		
26	51-0022	MANIFOLD	1		
27	23-0344	ELBOW	1		
28	15-0186	HIGH PRESSURE HOSE	1		
29	27-8040	BOLT	2		
30	20-0483A01	BRACKET- BLACK	1		
31	24-0034	PLUG	1		
32	23-0359	NIPPLE	1		
33	34-0396	DECAL- PUMP I.D.	1		
34	23-0358	HOSE BARB	1		
35	15-0201	HOSE *(TWO FEET REQUIRED)	1		
36	23-0123	ELBOW	1		
37	42-0004	HOSE CLAMP	2		
38	15-0020	HOSE *(TWO FEET REQUIRED)	1		
39	23-0073	HOSE BARB	1		
40	33-0022	WIRE TIE	1		
41	15-0021	DETERGENT HOSE *(SIX FEET REQUIRED)	1		
42	19-0056	STRAINER W/ CHECK VALVE	1		

*MUST ORDER IN ONE FOOT LENGTHS



HSD-3505-0MGH / HSD-3505-0MGH (sn:0-99999999)

HIGH PRESSURE PUMP

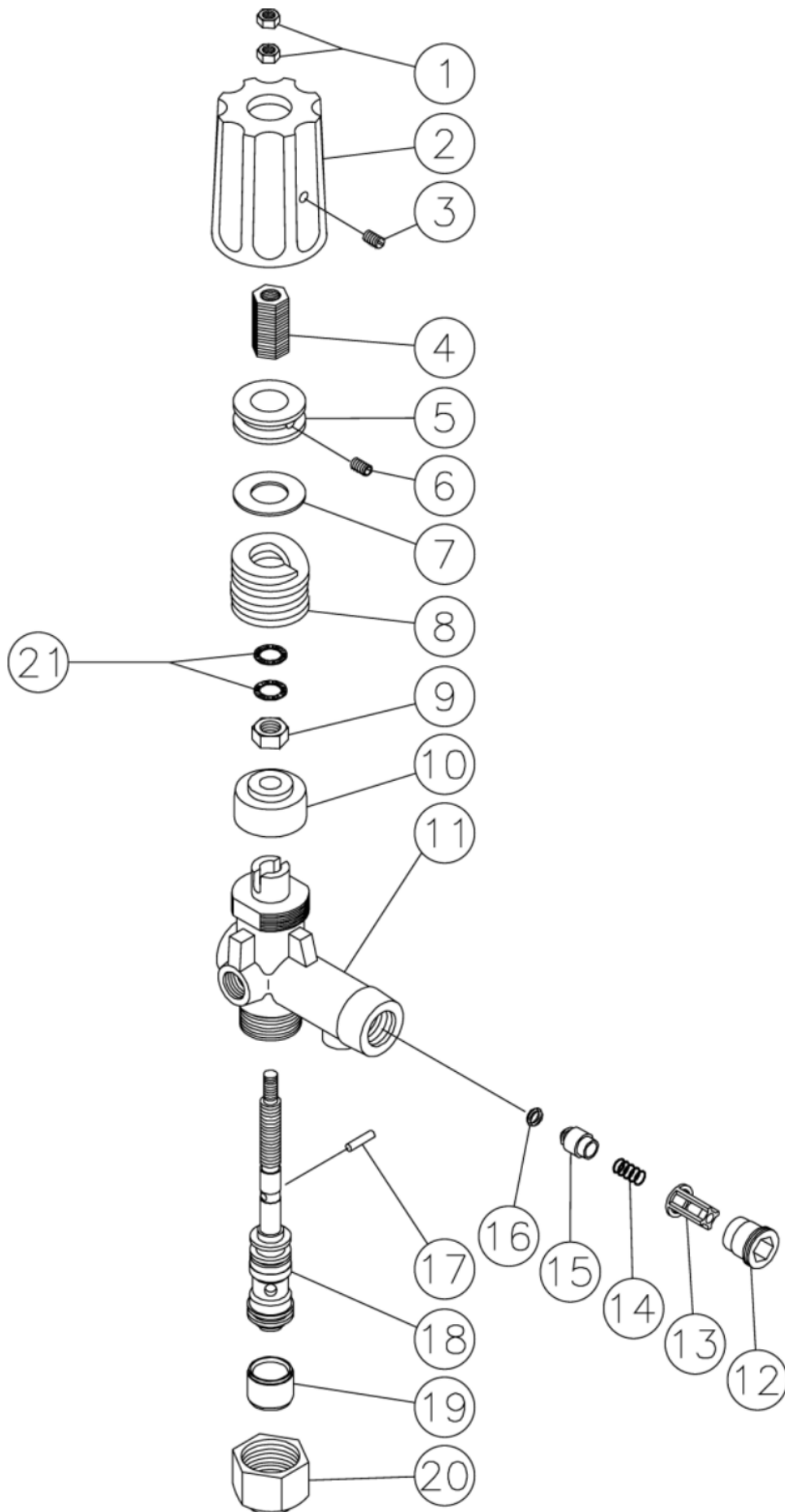


Id	Item #	Description	Quantity	Rev	Comments
1	39-0018	HEX PLUG	1		
2	28-1002	WASHER	1		
3	39-0019	HEX PLUG	1		
4	28-1038	WASHER	1		
5	N/A Sep.	VALVE ASSY. (INCLUDES 11-15) (SEE 70-0009)	6		
6	25-0012	O-RING	6		
7	39-0020	VALVE PLUG	6		
8	27-8185	BOLT	8		
9	28-1039	FLATWASHER	8		
10	46-0060	PUMP MANIFOLD - BRASS 20MM	1		
11	N/A Sep.	O-RING (SEE 70-0009)	6		
12	N/A SEP.	VALVE SEAT (SEE 70-0009)	6		
13	N/A SEP.	VALVE PLATE (SEE 70-0009)	6		
14	N/A Sep.	VALVE SPRING (SEE 70-0009)	6		
15	N/A SEP.	VALVE CAGE (SEE 70-0009)	6		

Id	Item #	Description	Quantity	Rev	Comments
16	N/A Sep.	HIGH PRESSURE HEAD RING (SEE 852-0122)	3		
17	N/A Sep.	HIGH PRESSURE V-PACKING (SEE 852-0122)	3		
18	N/A Sep.	STOP RING PACKING (SEE 852-0122)	3		
19	46-0659	INTERMEDIATE RING	3		
20	N/A Sep.	LOW PRESSURE SEAL (SEE 852-0122)	3		
21	46-0057	SEAL RETAINER	3		
22	25-0015	O-RING	3		
23	26-0047	OIL SEAL	3		
24	9-0029	BUSHING	3		
25	27-8431	BOLT	8		
26	46-0336	CRANKCASE COVER-CLOSED	1		
27	25-0013	O-RING	2		
28	48-0012	ROLLER BEARING	2		
29	46-0047	CRANKCASE	1		
30	46-0144	OIL DIPSTICK	1		
31	46-0069	PISTON BOLT	3		
32	28-0400	WASHER	3		
33	25-0014	O-RING	4		
34	46-0109	BACK-UP RING	3		
35	46-0052	PLUNGER	3		
36	46-0146	SLINGER WASHER	3		
37	46-0056	PISTON ROD	3		
38	46-0051	CONNECTING ROD	3		
39	29-0154	LOCKWASHER	6		
40	27-8435	BOLT	6		
41	25-0339	O-RING COVER	1		
42	46-0295	CRANKCASE COVER	1		
43	27-8404	BOLT	5		
44	39-0017	HEX PLUG	1		
45	46-0114	OIL LEVEL INDICATOR	1		
46	43-0032	CONNECTING ROD PIN	3		
47	46-0103	RETAINING RING	6		
48	46-0050	CRANKSHAFT	1		
49	43-0048	KEY	1		
50	26-0049	OIL SEAL	1		
51	46-0113	SHIM	1		
52	46-0296	CRANKCASE COVER-OPEN	1		
53	29-0055	LOCKWASHER	4		
54	27-8471	BOLT	4		

Id	Item #	Description	Quantity	Rev	Comments
KIT	70-0009	VALVE KIT (INC. 6 EACH OF 11-15)			
KIT	70-0030	HEAD RING KIT (INC. 3 EACH OF 16)			
KIT	70-0147	PACKING KIT (INC. 3 EACH OF 17, 18, 20)			
KIT	852-0122	PACKING ASSY. (INC. 3 EACH OF 16, 17, 18, 20, 22)			
KIT	70-0148	INTERMEDIATE RETAINER KIT (INC. 3 EACH 18, 19)			

UNLOADER

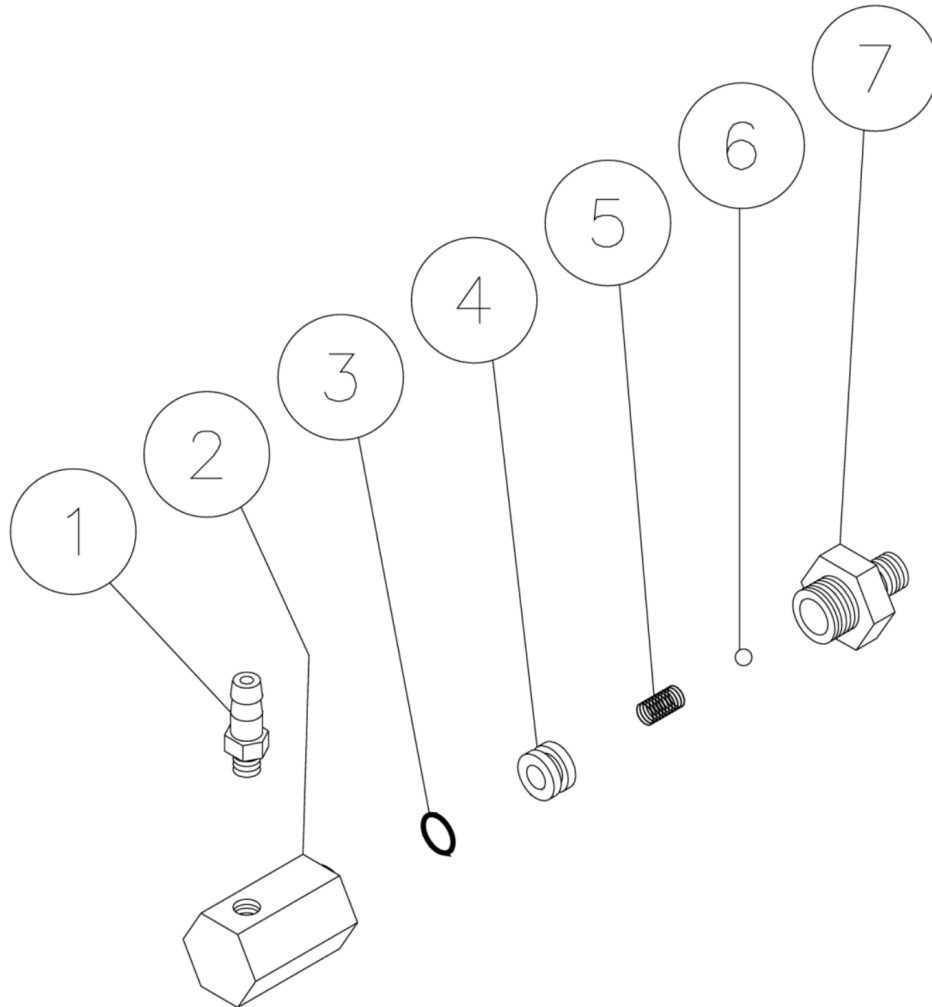


Id	Item #	Description	Quantity	Rev	Comments
1	8-0362	HEX NUT	2		
2	7-0098	COVER	1		
3	27-4280	SET SCREW	1		
4	8-0363	ADJUSTING INSERT- BRASS	1		
5	8-0364	ADJUSTMENT NUT	1		
6	8-0365	SET SCREW	1		
7	8-0366	GLIDE RING	1		
8	49-0104	SPRING	1		
9	8-0367	HEX NUT	1		
10	8-0368	BUSHING	1		
11	8-0369	UNLOADER BODY	1		
12	8-0269	RETAINER	1		
13	8-0104	VALVE HOUSING	1		
14	49-0023	SPRING	1		
15	8-0105	VALVE	1		
16	25-0036	O-RING	1		
17	8-0372	CYLINDER PIN	1		
18	70-0243	PISTON REPAIR KIT	1		
19	8-0371	SPACER	1		
20	8-0157	STOP NUT	1		
21	29-0154	WASHER	2		
	70-0244	CHECK VALVE REPAIR KIT (INCLUDES 13-16)			



HSD-3505-0MGH / HSD-3505-0MGH (sn:0-99999999)

EASY START VALVE

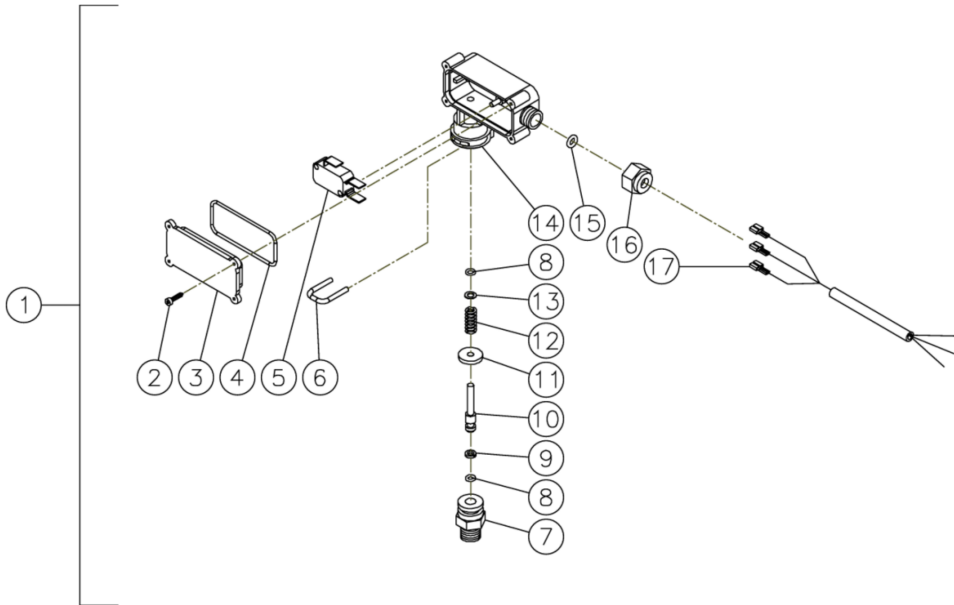


Id	Item #	Description	Quantity	Rev	Comments
1	23-0141	HOSE BARB	1		
2	23-0337	EASY START BODY	1		
3	25-0366	O-RING	1		
4	23-0338	BALL SEAT	1		
5	49-0136	SPRING	1		
6	23-0339	CHECK VALVE BALL	1		
7	23-0340	INLET FITTING	1		



HSD-3505-0MGH / HSD-3505-0MGH (sn:0-99999999)

PRESSURE SWITCH



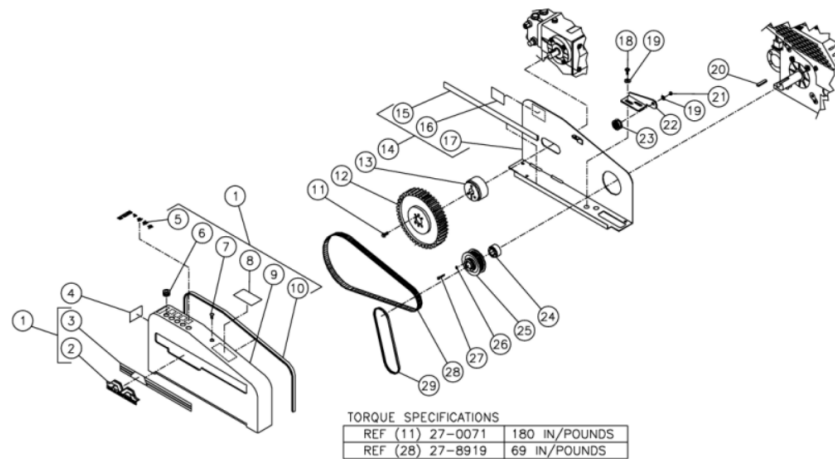
Id	Item #	Description	Quantity	Rev	Comments
1	22-0171	PRESSURE SWITCH- 15 BAR	1		
1	22-0243	PRESSURE SWITCH- 25 BAR	1		
2	N/A	SCREW	4		
3	N/A	COVER	1		
4	N/A Sep.	O-RING (SEE 70-0306)	1		
5	N/A	MICRO SWITCH	1		
6	N/A	RETAINER CLIP	1		
7	N/A	BODY	1		
8	N/A Sep.	O-RING (SEE 70-0306)	2		
9	N/A Sep.	BACK-UP RING (SEE 70-0306)	1		
10	N/A	PISTON	1		
11	N/A	WASHER	1		
12	49-0144	SPRING- 15 BAR	1		
12	49-0145	SPRING- 25 BAR	1		
13	N/A	WASHER	1		
14	N/A	PLASTIC HOUSING	1		

Id	Item #	Description	Quantity	Rev	Comments
15	N/A Sep.	O-RING (SEE 70-0306)	1		
16	N/A	NUT- 15 BAR	1		
16	N/A	NUT- 25 BAR	1		
17	N/A	WIRE ASSEMBLY	1		
KIT	70-0306	O-RING REPAIR KIT (INC. 4, 8-9, 15)			



HSD-3505-0MGH / HSD-3505-0MGH (sn:0-99999999)

BELTGUARD/SHEAVE



Id	Item #	Description	Quantity	Rev	Comments
1	850-0232	BELTGUARD COVER ASSEMBLY (INC. 2, 3, 5-10)	1		
2	62-0087	MI-T-M LOGO	1		
3	34-0501	DECAL- LARGE BELTGUARD	1		
4	34-0521	DECAL- AMERICAN FLAG	1		

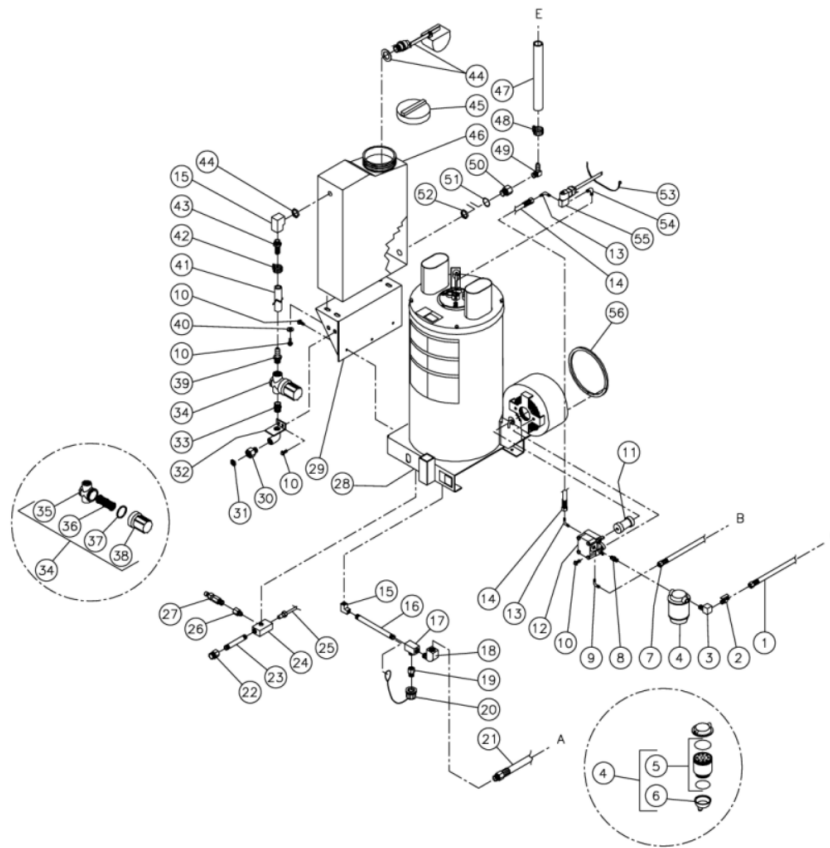
Id	Item #	Description	Quantity	Rev	Comments
5	34-0500	DECAL - NOZZLE	1		
6	33-0001	GROMMET	5		
7	33-0197	FASTENER	1		
8	34-0598	DECAL-WARNING: MUFFLER HOT (E/S)	1		
9	N/A Sep.	BELTGUARD (SEE 850-0232)	1		
10	33-0020	EDGING *(FOUR FEET REQUIRED)	1		
11	27-9525	BOLT	3		
12	10-0094	SHEAVE	1		
13	9-0070	BUSHING	1		
14	850-0230	BELTGUARD BACK ASSEMBLY (INC. 15-17)	1		
15	33-0020	EDGING *(TWO FEET REQUIRED)	1		
16	34-0826	DECAL- WARNING: BELTGUARD IN PLACE (E/S)	1		
17	N/A Sep.	BELTGUARD BACK (SEE 850-0230)	1		
18	27-9525	BOLT	2		
19	28-0022	WASHER	2		
20	43-0078	KEY	1		
21	30-0159	LOCKNUT	1		
22	20-0452A01	SHEAVE BRACKET	1		
23	850-0166	SHEAVE IDLER ASSEMBLY	1		
24	9-0067	BUSHING	1		
25	10-0098	SHEAVE	1		
26	28-1009	LOCKWASHER	4		
27	27-8919	BOLT	4		
28	11-0041	BELT	1		
29	11-0043	BELT	1		

*MUST ORDER IN ONE FOOT LENGTHS



| HSD-3505-0MGH / HSD-3505-0MGH (sn:0-99999999)

HEAT EXCHANGER

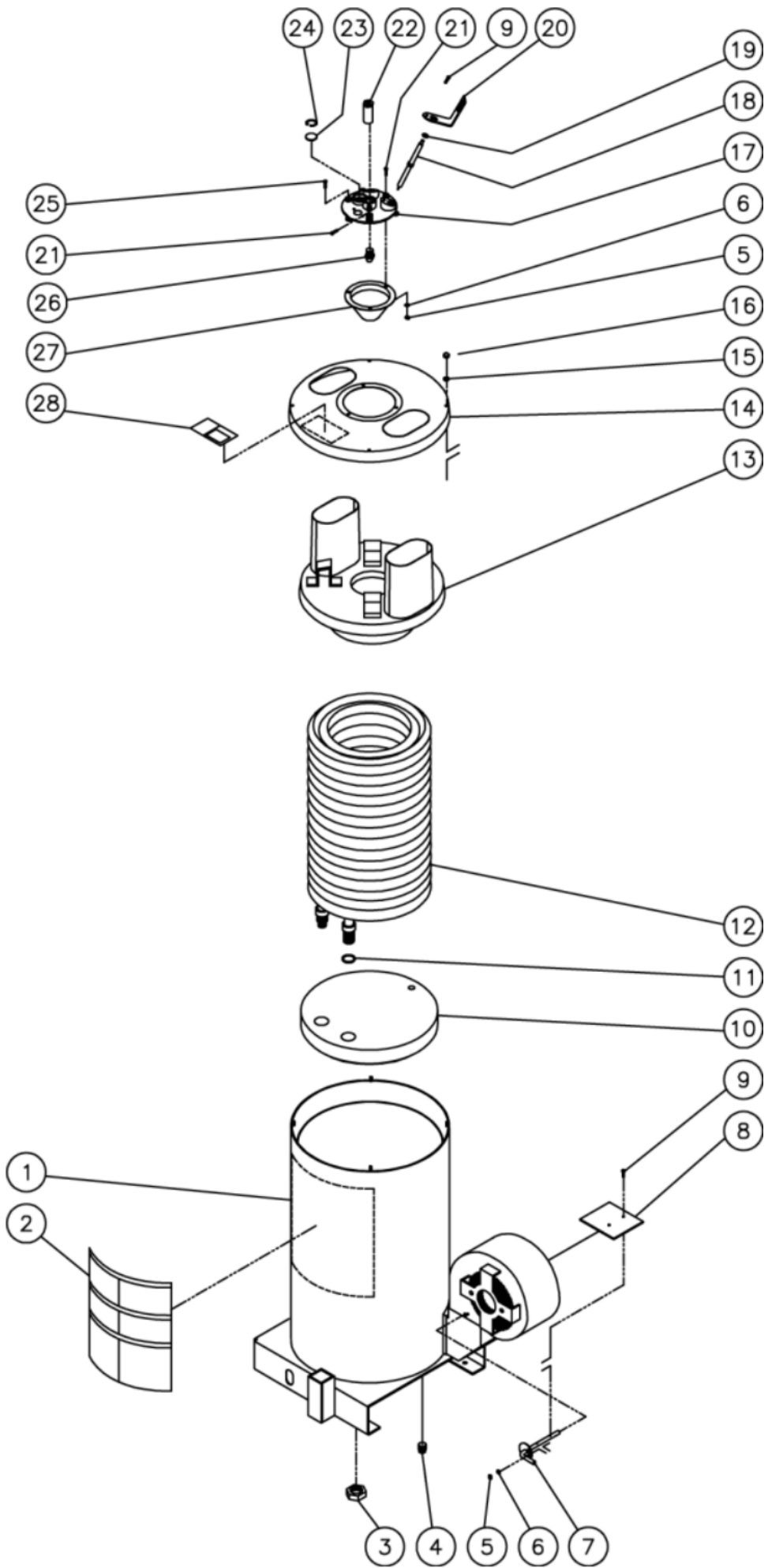


Id	Item #	Description	Quantity	Rev	Comments
1	15-0185	FUEL LINE (INLET)	1		
2	22-0265	SHUT OFF VALVE	1		
3	23-0014	ELBOW	1		
4	19-0070	FUEL WATER SEPARATOR	1		

Id	Item #	Description	Quantity	Rev	Comments
5	19-0053	REPLACEMENT FILTER	1		
6	19-0071	REPLACEMENT BOWL	1		
7	15-0184	FUEL LINE	1		
8	24-0145	NIPPLE	1		
9	23-0237	ELBOW	1		
10	27-9524	BOLT	11		
11	33-0225	COUPLER	1		
12	3-0020	FUEL PUMP	1		
13	23-0287	ELBOW	2		
14	15-0173	FUEL LINE (PRESSURE)	1		
15	23-0307	ELBOW	2		
16	24-0158	PIPE NIPPLE	1		
17	23-0117	TEE	1		
18	24-0105	ELBOW	1		
19	23-0279	ADAPTER	1		
20	850-0218	COIL DRAIN PLUG ASSEMBLY	1		
21	15-0186	HIGH PRESSURE HOSE	1		
22	23-0197	ADAPTER	1		
23	24-0141	PIPE NIPPLE	1		
24	24-0138	COIL OUTLET ASSEMBLY	1		
25	32-0423	HIGH LIMIT TEMP SWITCH	1		
26	23-0369	ADAPTER	1		
27	22-0273	PRESSURE RELIEF VALVE	1		
28	850-0227	BOILER ASSEMBLY	1		
29	20-0447A01	WATER TANK BRACKET- BLACK	1		
30	23-0095	GARDEN HOSE FITTING	1		
31	26-0001	WASHER	1		
32	20-0422A01	BRACKET- BLACK	1		
33	23-0012	NIPPLE	1		
34	19-0085	WATER FILTER	1		
35	19-0058	STRAINER CAP	1		
36	19-0059	STAINLESS STEEL SCREEN	1		
37	26-0160	STRAINER GASKET	1		
38	19-0060	STRAINER BOWL	1		
39	23-0005	HOSE BARB	1		
40	28-0022	WASHER	4		
41	15-0007	HOSE *(TWO FEET REQUIRED)	1		
42	42-0011	HOSE CLAMP	1		
43	23-0105	HOSE BARB	1		

Id	Item #	Description	Quantity	Rev	Comments
44	850-0238	FLOAT VALVE	1		
45	39-0100	PLASTIC LID	1		
46	12-0067	WATER FLOAT TANK	1		
47	15-0033	HOSE *(TWO FEET REQUIRED)	1		
48	42-0003	HOSE CLAMP	1		
49	23-0037	HOSE BARB	1		
50	23-0343	RESTRICTOR	1		
51	25-0427	O-RING	1		
52	23-0138	JAMNUT	1		
53	33-0022	WIRE TIE	1		
54	23-0249	ELBOW	1		
55	44-0098	SOLENOID VALVE	1		
56	26-0129	SEAL FOAM *(TWO FEET REQUIRED)	1		

* MUST ORDER IN ONE FOOT LENGTHS

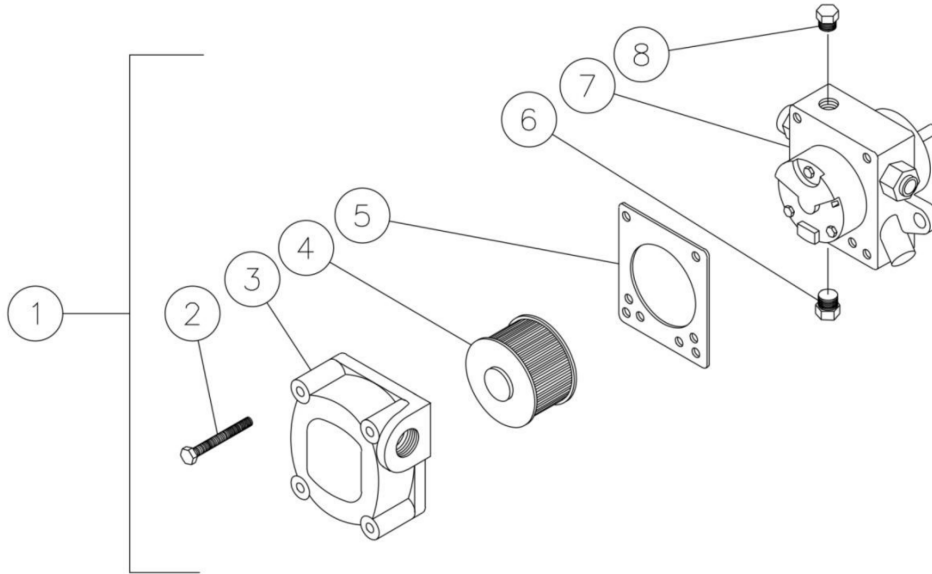


Id	Item #	Description	Quantity	Rev	Comments
1	20-0438A01	OUTER WRAP ASSEMBLY-BLACK	1		
2	34-0847	DECAL-WARNING/CAUTION/OPERATING INSTRUCTIONS (E/S)	1		
3	30-0121	NUT	2		
4	24-0034	PLUG	1		
5	30-6001	HEX NUT	4		
6	28-1009	LOCKWASHER	4		
7	20-0377A01	AIR DIVERTER STEM-BLACK	1		
8	20-0378A01	AIR DIVERTER PLATE-BLACK	1		
9	27-8879	BOLT	6		
10	33-0250	INSULATION BOTTOM	1		
11	28-0521	WASHER	2		
12	66-0011	HEAT EXCHANGER COIL	1		
13	20-0372	INNER PAN	1		
14	20-0371A01	TOP PAN-BLACK	1		
15	28-1028	LOCKWASHER	4		
16	30-6002	NUT	4		
17	38-0046	ELECTRODE PLATE	1		
18	32-0420	ELECTRODE	2		
19	25-0171	O-RING	2		
20	20-0446A01	ELECTRODE CLIP-BLACK	2		
21	27-8878	BOLT	4		
22	23-0292	NOZZLE HOLDER	1		
23	33-0252	SIGHT GLASS	1		
24	33-0254	SNAP RING	1		
25	27-9526	BOLT	5		
26	18-0325	FUEL OIL NOZZLE 2.25 70°B	1		
27	20-0373	CONE	1		
28	34-0808	DECAL- WARNING: HOT COIL/EXHAUST (E/S)	1		



HSD-3505-0MGH / HSD-3505-0MGH (sn:0-99999999)

FUEL PUMP

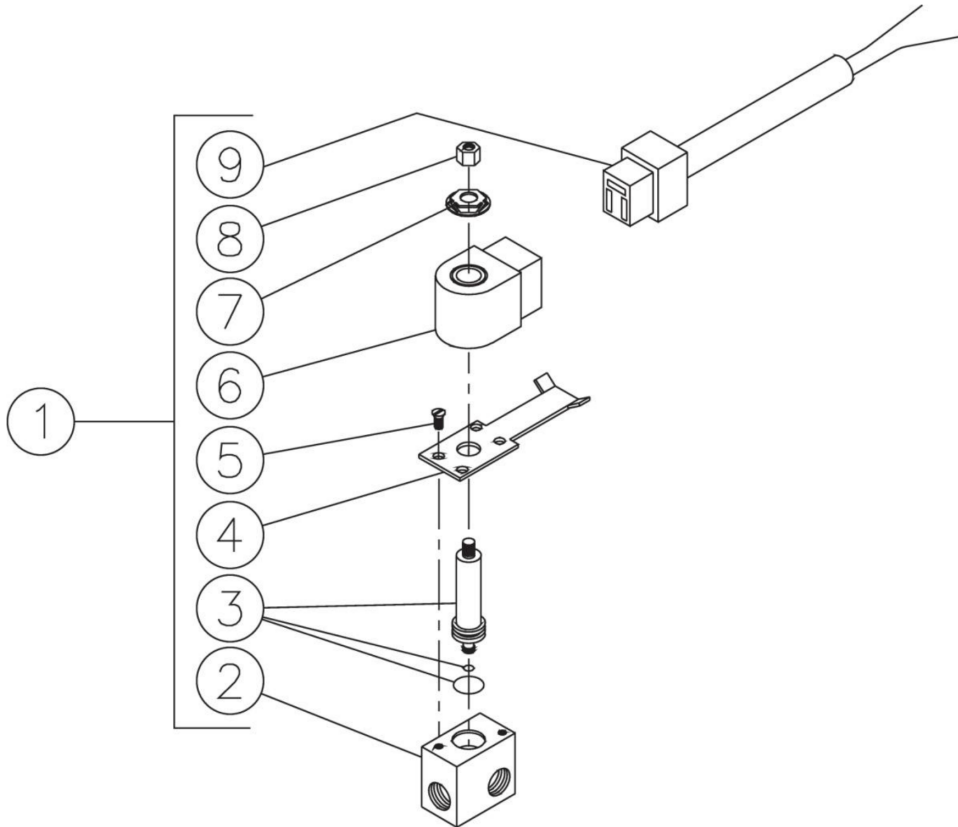


Id	Item #	Description	Quantity	Rev	Comments
1	3-0020	FUEL PUMP COMPLETE (INC. 2-8)	1		
2	46-1006	COVER SCREW	4		
3	46-1005	COVER	1		
4	19-0034	STRAINER	1		
5	26-0109	COVER GASKET	1		
6	24-0044	PLUG	3		
7	N/A	BODY	1		
8	24-0082	PLUG	1		



HSD-3505-0MGH / HSD-3505-0MGH (sn:0-99999999)

FUEL SOLENOID

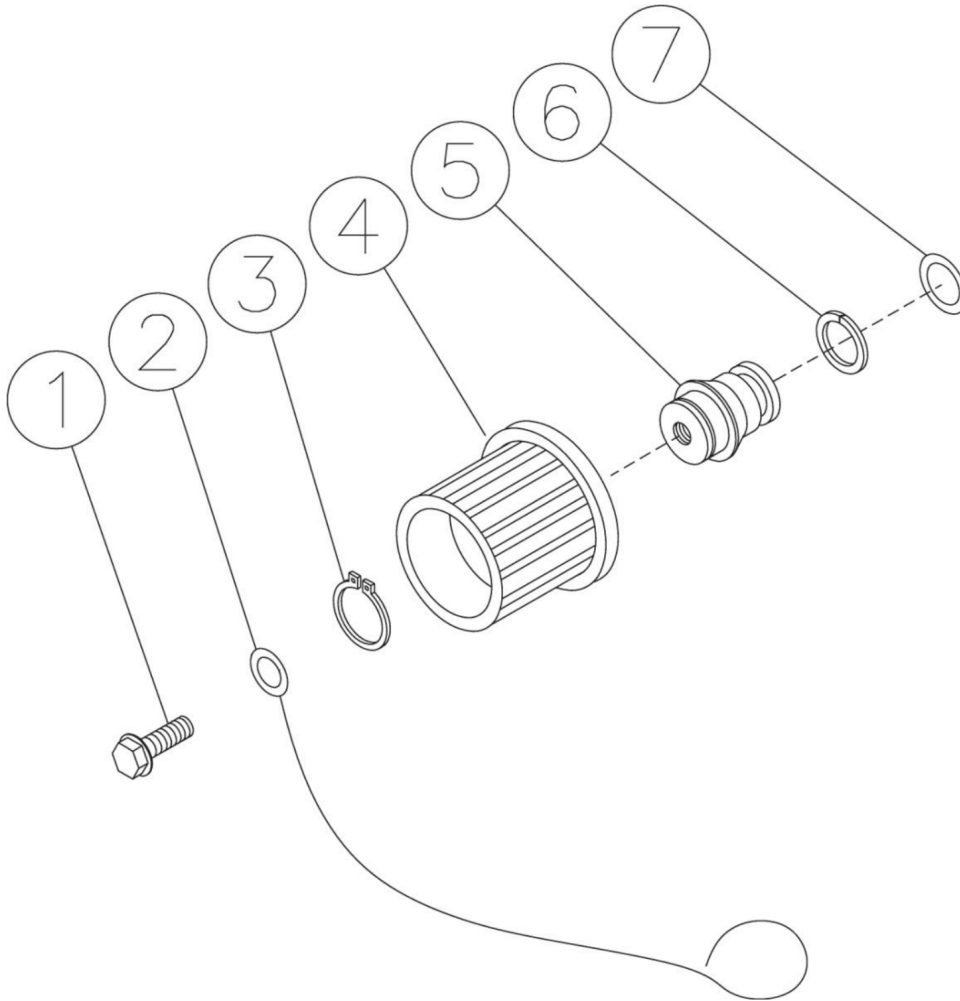


Id	Item #	Description	Quantity	Rev	Comments
1	44-0098	SOLENOID COMPLETE-12V	1		
2	46-1013	SOLENOID BODY	1		
3	46-1012	SOLENOID PISTON	1		
4	46-1014	SOLENOID BASE	1		
5	N/A Sep.	SCREW (SEE 44-0098)	2		
6	46-1015	SOLENOID COIL-12V	1		
7	N/A Sep.	SPRING (SEE 44-0098)	1		
8	46-1016	PISTON NUT	1		
9	32-0443	DIN CONNECTOR CORD	1		



HSD-3505-0MGH / HSD-3505-0MGH (sn:0-99999999)

COIL DRAIN PLUG

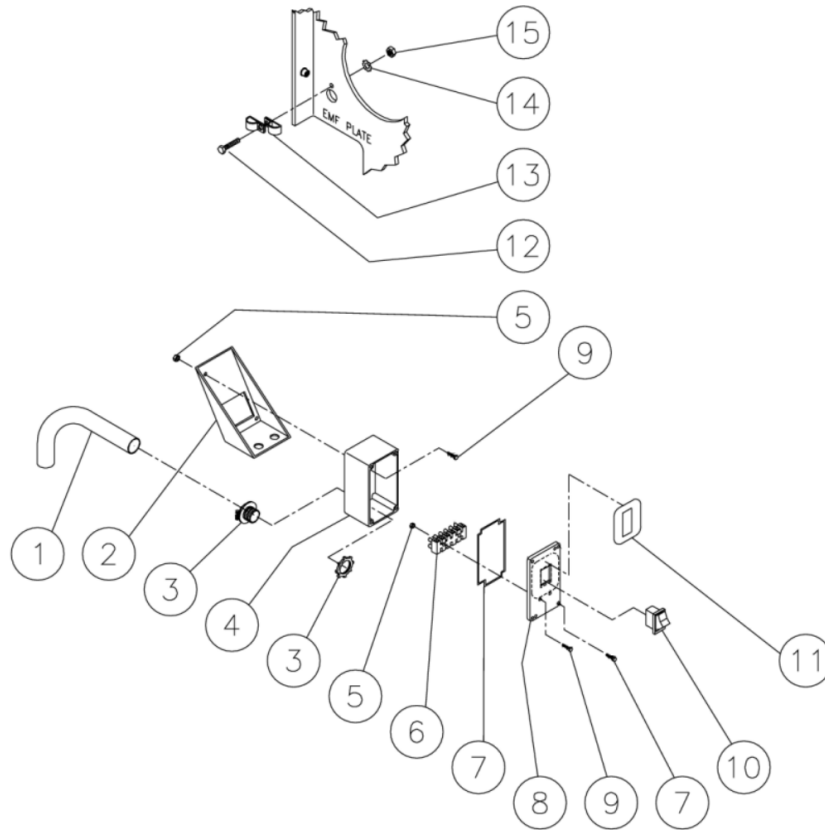


Id	Item #	Description	Quantity	Rev	Comments
1	27-9526	BOLT	1		
2	33-0260	RETAINING CABLE	1		
3	33-0261	SNAP RING	1		
4	16-0239	HAND WHEEL	1		
5	24-0147	PLUG	1		
6	25-0424	BACK-UP RING	1		
7	25-0423	O-RING	1		



HSD-3505-0MGH / HSD-3505-0MGH (sn:0-99999999)

SWITCH BOX



Id	Item #	Description	Quantity	Rev	Comments
1	33-0218	CONDUIT *(TWO FEET REQUIRED)	1		
2	20-0380A01	BRACKET	1		
3	32-0085	CONNECTOR	1		
4	32-0429A01	ELECTRICAL BOX	1		

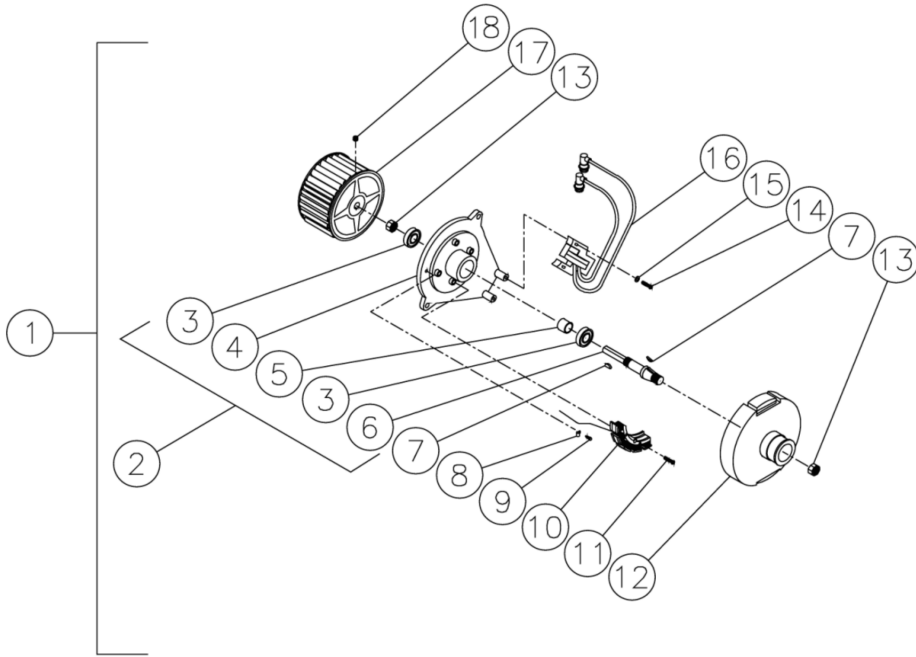
Id	Item #	Description	Quantity	Rev	Comments
5	30-0152	HEX NUT	4		
6	32-0394	TERMINAL STRIP *(ONE FOOT REQUIRED)	1		
7	70-0169	BOLTS AND GASKETS KIT	1		
8	32-0430A01	ELECTRICAL BOX LID	1		
9	27-8881	BOLT	4		
10	32-0422	SWITCH	1		
11	34-0849	DECAL-ON/OFF (E/S)	1		
12	27-8897	BOLT	1		
13	32-0403	WIRE CLAMP	2		
14	28-1009	LOCKWASHER	1		
15	30-0137	NUT	1		

*MUST ORDER IN ONE FOOT LENGTHS



HSD-3505-0MGH / HSD-3505-0MGH (sn:0-99999999)

EMF ASSEMBLY



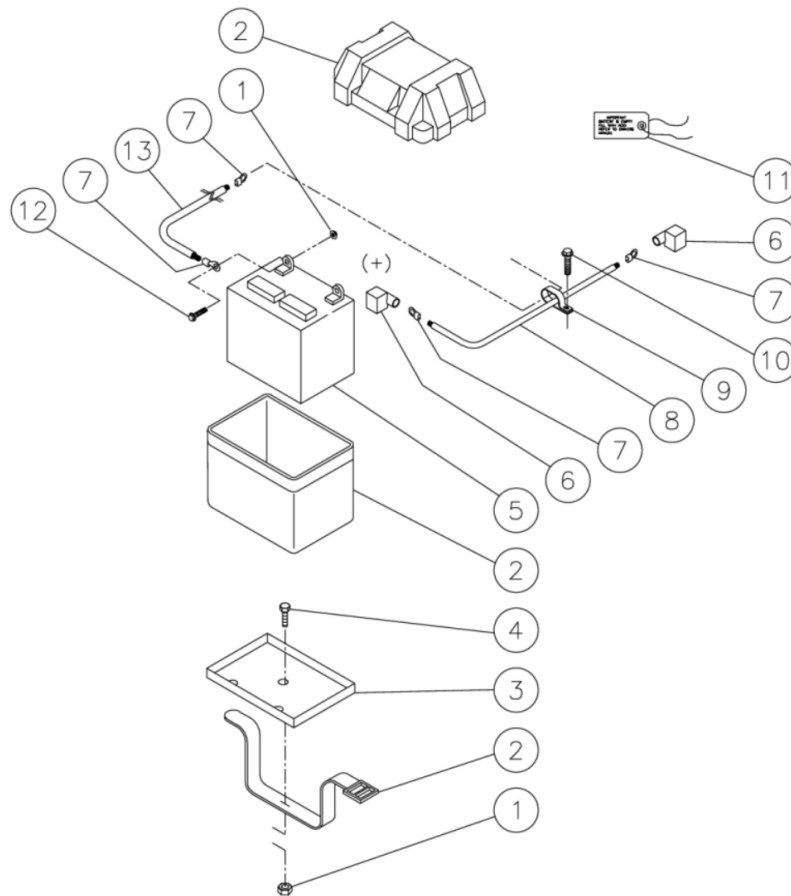
Id	Item #	Description	Quantity	Rev	Comments
1	850-0228	EMF ASSEMBLY	1		
2	850-0229	BLOWER FLANGE ASSEMBLY	1		
3	48-0041	BEARING	2		
4	38-0040	BLOWER FLANGE	1		
5	33-0206	SPACER	1		
6	20-0441	BLOWER SHAFT	1		
7	43-0080	KEY-WOODRUFF	2		
8	32-0403	CABLE CLAMP	1		
9	27-2070	SCREW	1		
10	850-0201	STATOR COIL	1		
11	27-0740	SCREW	2		
12	38-0041	FLANGE	1		
13	30-0177	HEX NUT	2		
14	27-8898	BOLT	2		
15	28-0002	FLATWASHER	2		

Id	Item #	Description	Quantity	Rev	Comments
16	850-0191	IGNITION COIL ASSEMBLY	1		
17	44-0105	BLOWER FAN	1		
18	30-3021	SCREW	1		



HSD-3505-0MGH / HSD-3505-0MGH (sn:0-99999999)

BATTERY BOX



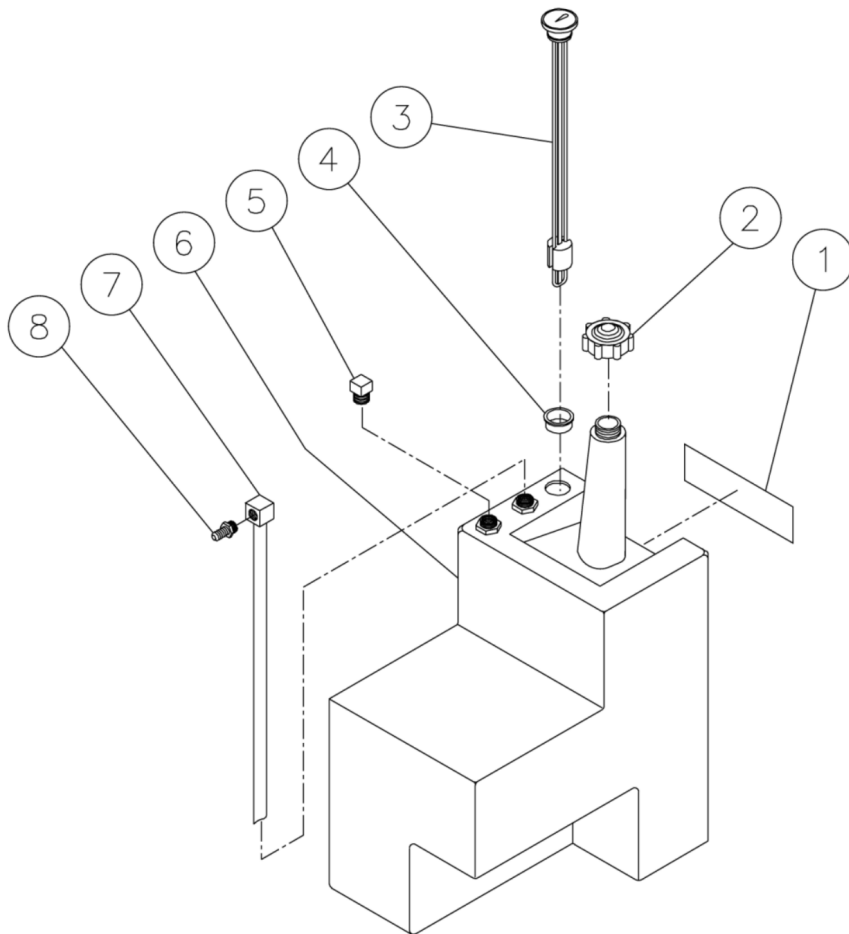
Id	Item #	Description	Quantity	Rev	Comments
1	30-3023	LOCKNUT	5		
2	33-0092	BATTERY BOX	1		
3	20-0264A01	BATTERY RETAINER- BLACK	1		
4	27-8042	BOLT	3		

Id	Item #	Description	Quantity	Rev	Comments
5	32-0058	BATTERY	1		
6	33-0004	TERMINAL PROTECTOR	2		
7	32-0097	RING TERMINAL	4		
8	32-0065	BATTERY CABLE *(THREE FEET REQUIRED)	1		
9	33-0292	CABLE CLAMP	1		
10	27-9531	BOLT	1		
11	34-0096	BATTERY TAG	1		
12	27-9524	BOLT	2		
13	32-0065	CABLE *(THREE FEET REQUIRED)	1		
		*MUST ORDER IN ONE FOOT LENGTHS			



HSD-3505-0MGH / HSD-3505-0MGH (sn:0-99999999)

GASOLINE FUEL TANK



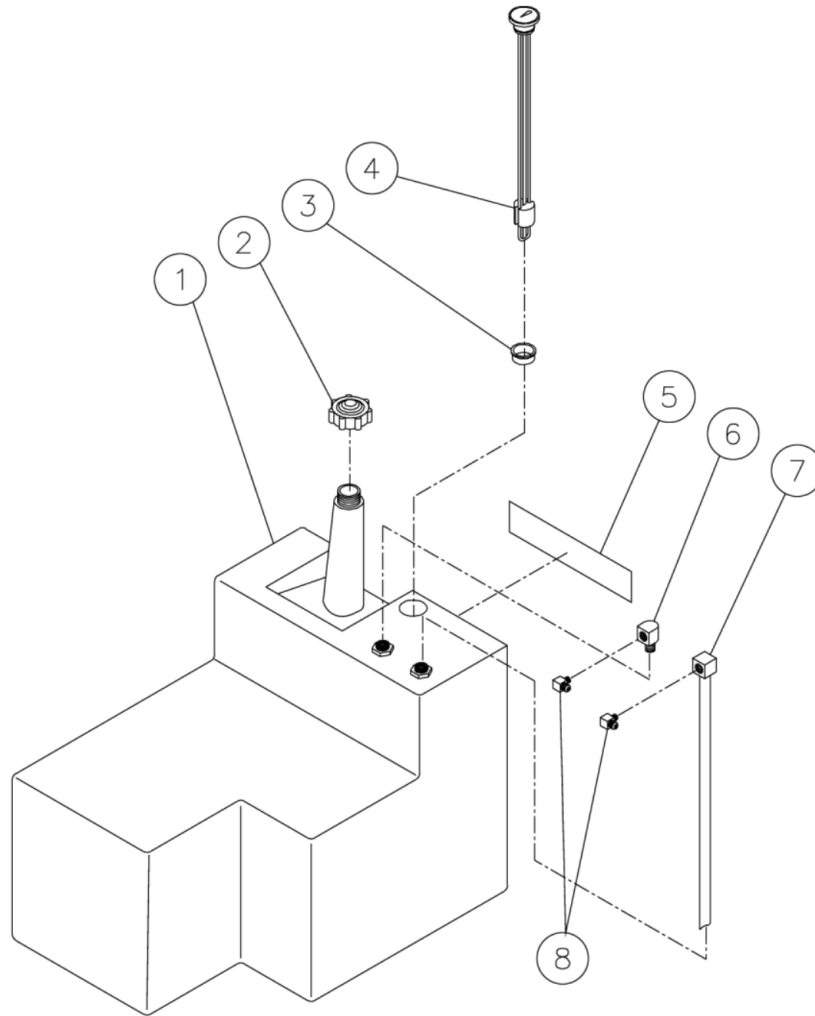
Id	Item #	Description	Quantity	Rev	Comments
1	34-0835	DECAL- WARNING: RISK OF FIRE (E/S)	1		
2	12-0033	FUEL CAP	1		
3	22-0266	FUEL GAUGE	1		
4	33-0255	GASKET	1		
5	23-0296	PLUG	1		
6	N/A Sep.	GASOLINE FUEL TANK (SEE 850-0236)	1		
7	33-0282	FUEL PICKUP	1		
8	23-0051	HOSE BARB	1		

Id	Item #	Description	Quantity	Rev	Comments
	850-0236	COMPLETE GASOLINE FUEL TANK (INC. 1-8)			



HSD-3505-0MGH / HSD-3505-0MGH (sn:0-99999999)

DIESEL FUEL TANK



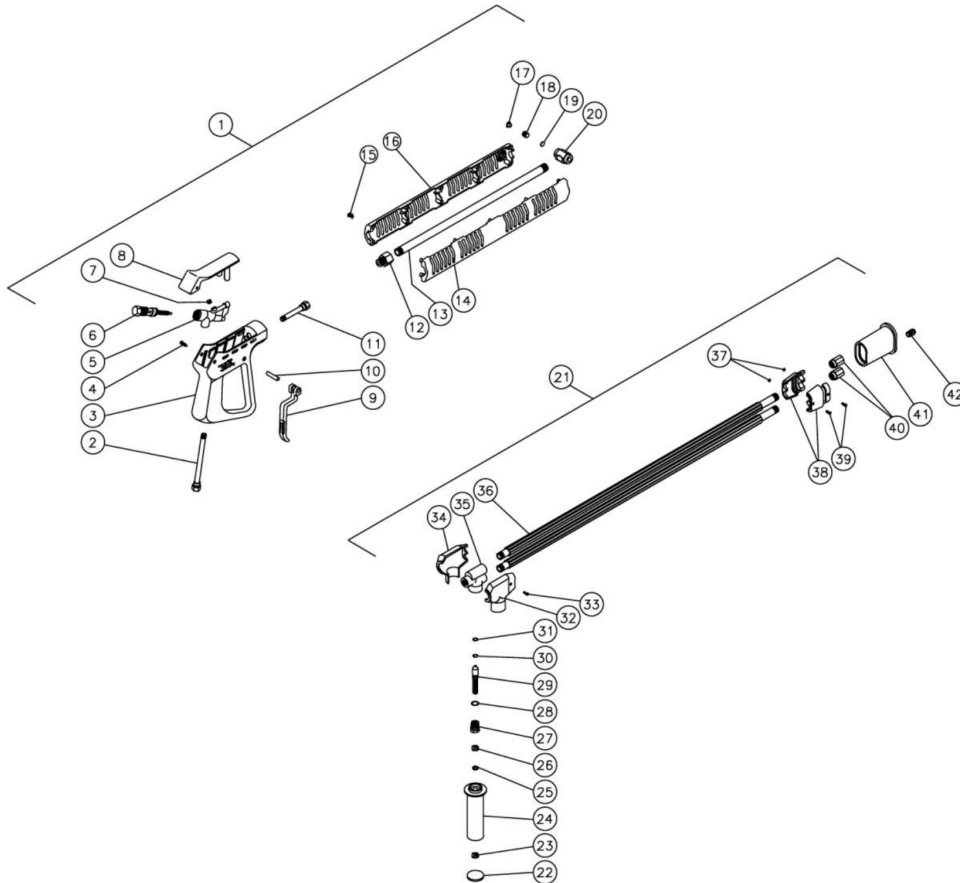
Id	Item #	Description	Quantity	Rev	Comments
1	12-0033	FUEL CAP	1		
2	N/A Sep.	DIESEL FUEL TANK (SEE 850-0235)	1		
3	33-0255	GROMMET	1		
4	22-0266	FUEL GAUGE	1		
5	34-0806	DECAL- WARNING: RISK OF FIRE (E/S)	1		
6	23-0014	ELBOW	1		

Id	Item #	Description	Quantity	Rev	Comments
7	33-0282	FUEL PICKUP	1		
8	23-0237	ELBOW	2		
	850-0235	COMPLETE DIESEL FUEL TANK (INC. 1-8)			



HSD-3505-0MGH / HSD-3505-0MGH (sn:0-99999999)

GUN/LANCE ASSEMBLY



Id	Item #	Description	Quantity	Rev	Comments
1	850-0181	GUN/LANCE ASSEMBLY (INCLUDES 2-20)	1		
2	16-0016	PIPE ASSEMBLY	1		
3	16-0008	PLASTIC HOUSING	1		
4	27-3230	SCREW	2		
5	16-0012	HOUSING	1		
6	70-0055	GUN REPAIR KIT	1		
7	39-0024	PLUG	1		
8	16-0009	COVER	1		
9	16-0010	TRIGGER SAFETY LOCK-OFF	1		
10	16-0063	TRIGGER PIN	1		
11	16-0013	PIPE ASSEMBLY	1		

Id	Item #	Description	Quantity	Rev	Comments
12	16-0283	ADAPTOR	1		
13	16-0277	PIPE	1		
14	16-0320	GUARD LANCE (RIGHT SIDE)	1		
15	27-8382	SCREW	6		
16	16-0321	GUARD LANCE (LEFT SIDE)	1		
17	39-0076	PLUG	1		
18	49-0103	SCREW	1		
19	16-0282	SPACER	1		
20	N/A Sep.	LANCE HOLDER (SEE 16-0306)	1		
21	850-0185	DUAL LANCE ASSEMBLY (INCLUDES 22-42) 36"	1		
21	850-0180	DUAL LANCE ASSEMBLY (INCLUDES 22-42) 48"	1		
22	16-0312	HANDLE PLUG	1		
23	30-3002	NUT	1		
24	16-0313	HANDLE	1		
25	28-1021	WASHER	1		
26	30-3010	NUT	1		
27	23-0271	ADAPTOR	1		
28	25-0351	O-RING	1		
29	16-0314	PISTON	1		
30	25-0352	BACK-UP RING	1		
31	25-0353	O-RING	1		
32	16-0315	UPPER PROTECTOR	1		
33	27-8862	SCREW	1		
34	16-0316	LOWER PROTECTOR	1		
35	23-0272	BODY	1		
36	16-0328	LANCE W/PROTECTIVE COVER 36"	2		
36	16-0317	LANCE W/PROTECTIVE COVER 48"	2		
37	30-3060	NUT	2		
38	16-0318	PIPE CLAMP	2		
39	27-8861	SCREW	2		
40	24-0127	NIPPLE	2		
41	16-0319	NOZZLE PROTECTOR	1		
42	18-0110	NOZZLE-6540	1		
KIT	16-0001	GUN ASSEMBLY (INC. 12-20)			
KIT	16-0306	LANCE ASSEMBLY (INC. 13-21)			
KIT	70-0143	O-RING KIT (INC. 28, 30, 31)			