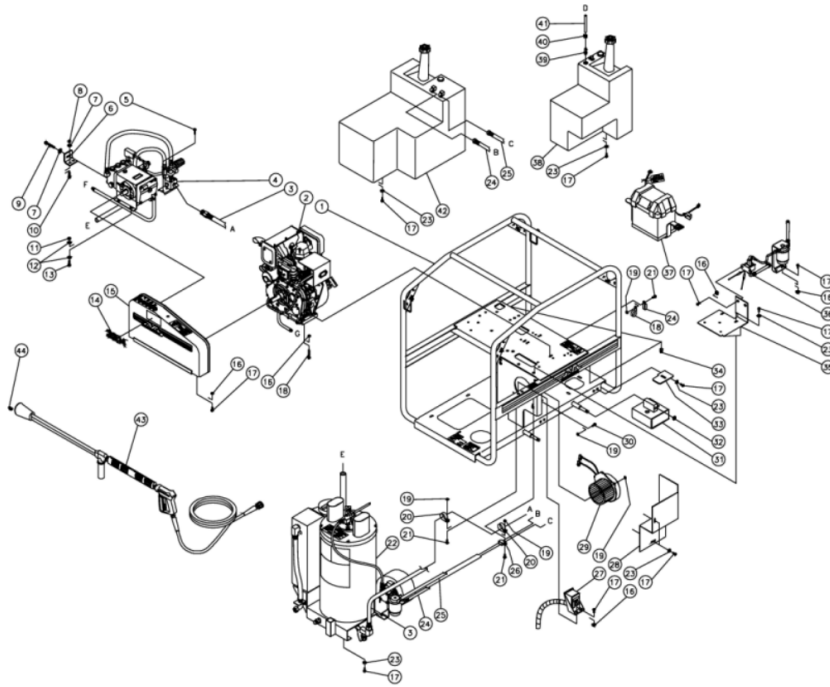




HSD-3004-0MDY / HSD-3004-0MDY (sn:0-99999999)

FRAME ASSEMBLY



Id	Item #	Description	Quantity	Rev	Comments
1	850-0237	FRAME ASSEMBLY	1		
2	N/A Sep.	ENGINE ASSEMBLY (SEE EXPLODED DRAWING)	1		
3	15-0198	HIGH PRESSURE HOSE	1		
4	N/A Sep.	PUMP UNLOADER ASSEMBLY (SEE EXPLODED DRAWING)	1		

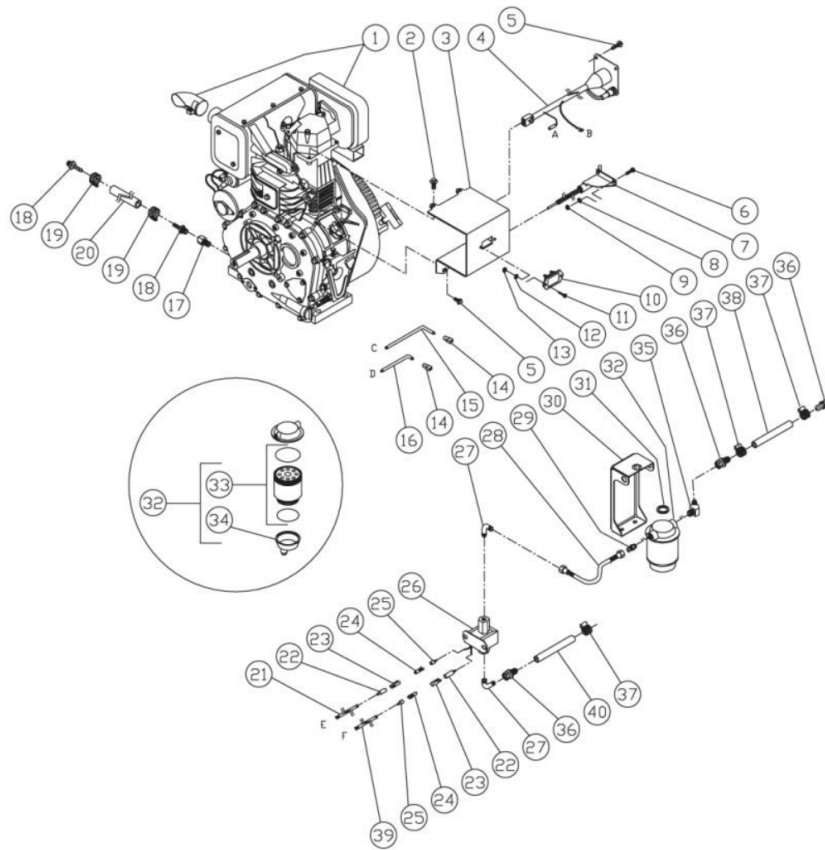
Id	Item #	Description	Quantity	Rev	Comments
5	27-9525	BOLT	2		
6	13-0003A01	PUMP TIGHTNER BRACKET	1		
7	28-0023	WASHER	3		
8	30-0159	LOCKNUT	2		
9	27-0576	BOLT	1		
10	27-0118	BOLT	2		
11	30-0161	LOCKNUT	4		
12	28-0030	WASHER	8		
13	27-0166	BOLT	4		
14	34-0105	DECAL - DIE CUT 3004	1		
15	N/A Sep.	BELTGUARD ASSEMBLY (SEE EXPLODED DRAWING)	1		
16	30-3023	HEX NUT	13		
17	27-9524	BOLT	29		
18	27-9529	BOLT	4		
19	30-3022	HEXNUT	8		
20	33-0291	CLIP	4		
21	27-8898	BOLT	4		
22	N/A Sep.	HEAT EXCHANGER ASSEMBLY (SEE EXPLODED DRAWING)	1		
23	28-0022	WASHER	18		
24	15-0185	FUEL LINE (INLET)	1		
25	15-0184	FUEL LINE (RETURN)	1		
26	33-0292	CLIP	3		
27	N/A Sep.	SWITCH BOX ASSEMBLY (SEE EXPLODED DRAWING)	1		
28	20-0449A01	EMF GUARD	1		
29	850-0228	EMF ASSEMBLY	1		
30	27-9531	BOLT	1		
31	20-0440A01	SKID FOOT	4		
32	30-0117	JAMNUT	4		
33	20-0451A01	SUPPORT BRACKET	1		
34	24-0034	PLUG	2		
35	20-0448A01	BATTERY BRACKET	1		
36	N/A Sep.	ENGINE/FUEL PUMP ASSEMBLY (SEE EXPLODED DRAWING)	1		
37	N/A Sep.	BATTERY BOX (SEE EXPLODED DRAWING)	1		
38	850-0250	FUEL TANK ASSEMBLY	1		
39	23-0069	HOSE BARB	1		
40	42-0004	HOSE CLAMP	2		
41	15-0032	FUEL HOSE *(TWO FEET REQUIRED)	1		
42	850-0235	DIESEL FUEL TANK ASSEMBLY	1		
43	N/A Sep.	GUN/LANCE/HOSE ASSEMBLY (SEE EXPLODED DRAWING)	1		

Id	Item #	Description	Quantity	Rev	Comments
44	18-0024	NOZZLE - 1504.5 *MUST ORDER IN ONE FOOT LENGTHS	1		



HSD-3004-0MDY / HSD-3004-0MDY (sn:0-99999999)

ENGINE ASSEMBLY



Id	Item #	Description	Quantity	Rev	Comments
	850-0249	ENGINE ASSEMBLY (INC. 1-17)	1		
1	N/A Sep.	ENGINE - 10 HP YANMAR DIESEL (SEE 850-0249)	1		
2	27-9524	BOLT	2		
3	20-0474A01	CONTROL PANEL-BLACK	1		

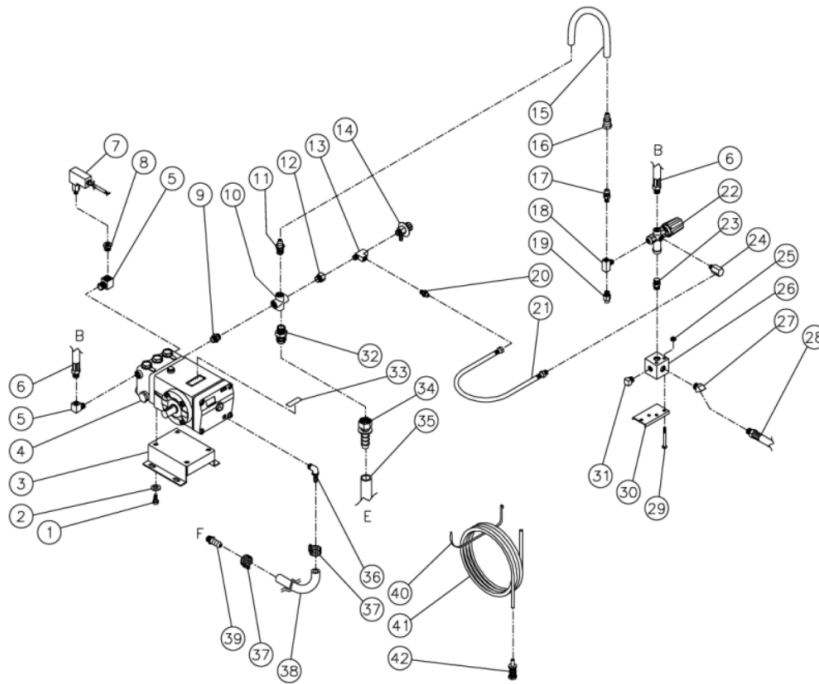
Id	Item #	Description	Quantity	Rev	Comments
4	N/A	SWITCH ASSEMBLY W/MOTOR	1		
5	27-8898	BOLT	5		
6	27-8807	BOLT	2		
7	33-0082	THROTTLE CONTROL	1		
8	28-1009	LOCKWASHER	2		
9	30-3003	NUT	2		
10	32-0431	HOUR METER	1		
11	N/A	BOLT W/HOUR METER	2		
12	N/A	LOCKWASHER W/HOUR METER	2		
13	N/A	NUT W/HOUR METER	2		
14	N/A	PUSH CONNECT W/HOUR METER	2		
15	32-0092	WIRE-RED *(TWO FEET REQUIRED)	1		
16	32-0256	WIRE-BLACK *(TWO FEET REQUIRED)	1		
17	23-0372	ADAPTER	1		
18	23-0073	HOSE BARB	2		
19	42-0004	HOSE CLAMP	4		
20	15-0020	HOSE *(TWO FEET REQUIRED)	1		
21		WIRE-RED *(THREE FEET REQUIRED)			
22		PROTECTIVE COVER- FEMALE			
23		BULLET TERMINAL- FEMALE			
24		PROTECTIVE COVER- MALE			
25		BULLET TERMINAL- MALE			
26		FUEL PUMP			
27		ELBOW			
28		FUEL HOSE ASSEMBLY			
29		ADAPTER			
30		FUEL WATER SEPARATOR BRACKET			
31		GARDEN HOSE GASKET			
32		FUEL WATER SEPARATOR (INC. 33, 34)			
33		REPLACEMENT FILTER			
34		REPLACEMENT BOWL			
35		ELBOW			
36		HOSE BARB			
37		HOSE CLAMP			
38		FUEL HOSE *(TWO FEET REQUIRED)			
39		WIRE-BLUE *(THREE FEET REQUIRED)			
40		FUEL HOSE *(TWO FEET REQUIRED)			

*MUST ORDER IN ONE FOOT LENGTHS



HSD-3004-0MDY / HSD-3004-0MDY (sn:0-99999999)

PUMP/UNLOADER



Id	Item #	Description	Quantity	Rev	Comments
1	27-8471	BOLT	4		
2	29-0055	LOCKWASHER	4		
3	5-0101A01	PUMP BRACKET- BLACK	1		
4	3-0079	PUMP	1		

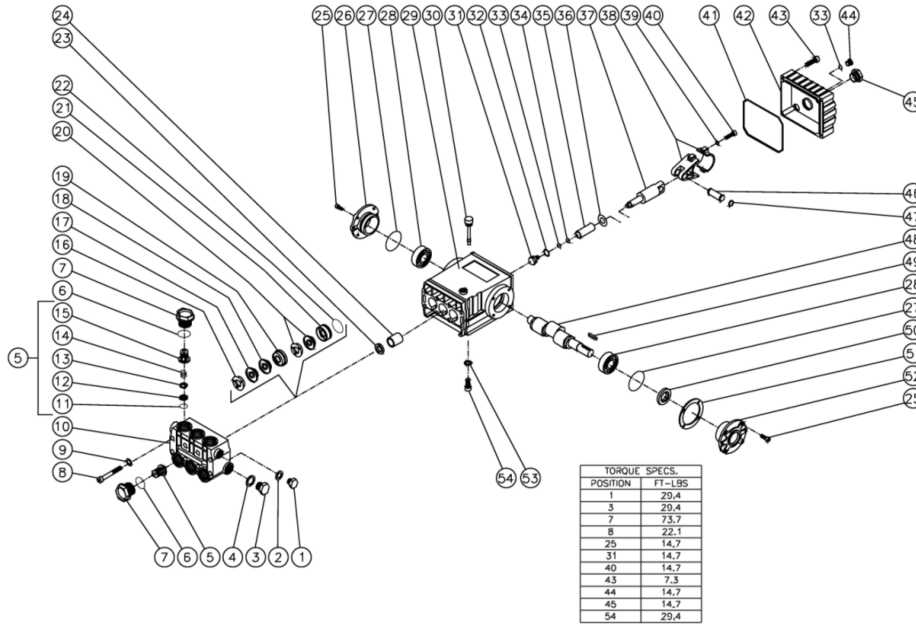
Id	Item #	Description	Quantity	Rev	Comments
5	23-0034	ELBOW	2		
6	15-0197	HIGH PRESSURE HOSE	1		
7	22-0171	PRESSURE SWITCH	1		
8	23-0017	BUSHING	1		
9	23-0012	NIPPLE	1		
10	23-0071	CROSS	1		
11	23-0005	HOSE BARB	1		
12	23-0056	REDUCER	1		
13	23-0127	TEE	1		
14	22-0133	DETERGENT VALVE	1		
15	15-0200	HOSE *(TWO FEET REQUIRED)	1		
16	23-0360	HOSE BARB	1		
17	23-0370	NIPPLE	1		
18	23-0015	TEE	1		
19	22-0208	HEAT DUMP	1		
20	23-0247	NIPPLE	1		
21	15-0140	HOSE ASSEMBLY	1		
22	850-0252	UNLOADER	1		
23	23-0018	NIPPLE	1		
24	22-0281	EASY START VALVE	1		
25	30-3023	NUT	2		
26	51-0022	MANIFOLD	1		
27	23-0344	ELBOW	1		
28	15-0186	HIGH PRESSURE HOSE	1		
29	27-8040	BOLT	2		
30	20-0483A01	BRACKET- BLACK	1		
31	24-0034	PLUG	1		
32	23-0359	NIPPLE	1		
33	34-0396	DECAL- PUMP I.D.	1		
34	23-0358	HOSE BARB	1		
35	15-0201	HOSE *(TWO FEET REQUIRED)	1		
36	23-0123	ELBOW	1		
37	42-0004	HOSE CLAMP	2		
38	15-0020	HOSE *(TWO FEET REQUIRED)	1		
39	23-0073	HOSE BARB	1		
40	33-0022	WIRE TIE	1		
41	15-0021	DETERGENT HOSE *(SIX FEET REQUIRED)	1		
42	19-0056	STRAINER W/ CHECK VALVE	1		

*MUST ORDER IN ONE FOOT LENGTHS



HSD-3004-0MDY / HSD-3004-0MDY (sn:0-99999999)

HIGH PRESSURE PUMP

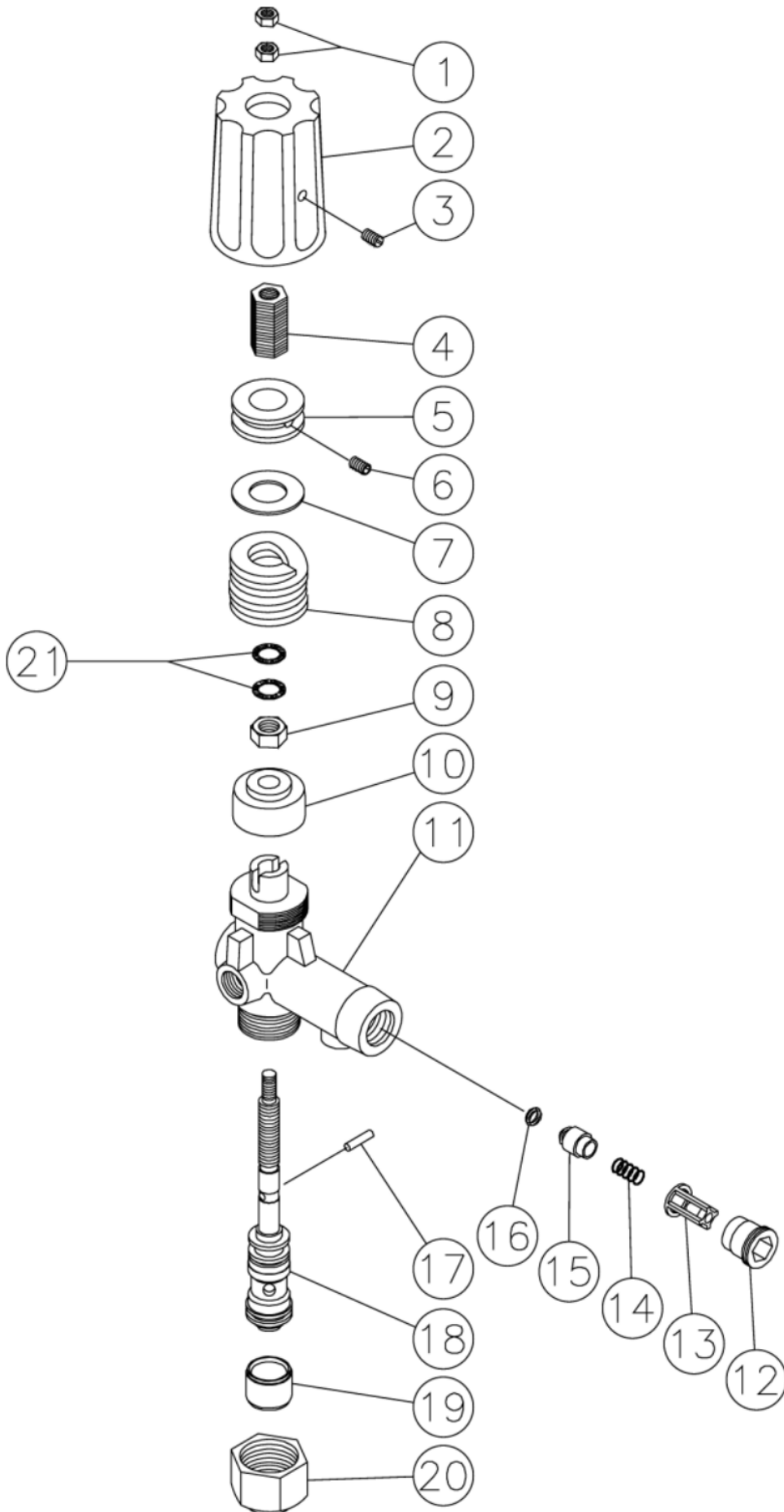


Id	Item #	Description	Quantity	Rev	Comments
1	39-0018	HEX PLUG	1		
2	28-1002	WASHER	1		
3	39-0019	HEX PLUG	1		
4	28-1038	WASHER	1		
5	N/A Sep.	VALVE ASSY. (INCLUDES 11-15) (SEE 70-0009)	6		
6	25-0012	O-RING	6		
7	39-0020	VALVE PLUG	6		
8	27-8185	BOLT	8		
9	28-1039	FLATWASHER	8		
10	46-0060	PUMP MANIFOLD - BRASS 20MM	1		
11	N/A Sep.	O-RING (SEE 70-0009)	6		
12	N/A SEP.	VALVE SEAT (SEE 70-0009)	6		
13	N/A SEP.	VALVE PLATE (SEE 70-0009)	6		
14	N/A Sep.	VALVE SPRING (SEE 70-0009)	6		
15	N/A SEP.	VALVE CAGE (SEE 70-0009)	6		

Id	Item #	Description	Quantity	Rev	Comments
16	N/A Sep.	HIGH PRESSURE HEAD RING (SEE 852-0122)	3		
17	N/A Sep.	HIGH PRESSURE V-PACKING (SEE 852-0122)	3		
18	N/A Sep.	STOP RING PACKING (SEE 852-0122)	3		
19	46-0659	INTERMEDIATE RING	3		
20	N/A Sep.	LOW PRESSURE SEAL (SEE 852-0122)	3		
21	46-0057	SEAL RETAINER	3		
22	25-0015	O-RING	3		
23	26-0047	OIL SEAL	3		
24	9-0029	BUSHING	3		
25	27-8431	BOLT	8		
26	46-0336	CRANKCASE COVER-CLOSED	1		
27	25-0013	O-RING	2		
28	48-0012	ROLLER BEARING	2		
29	46-0047	CRANKCASE	1		
30	46-0144	OIL DIPSTICK	1		
31	46-0069	PISTON BOLT	3		
32	28-0400	WASHER	3		
33	25-0014	O-RING	4		
34	46-0109	BACK-UP RING	3		
35	46-0052	PLUNGER	3		
36	46-0146	SLINGER WASHER	3		
37	46-0056	PISTON ROD	3		
38	46-0051	CONNECTING ROD	3		
39	29-0154	LOCKWASHER	6		
40	27-8435	BOLT	6		
41	25-0339	O-RING COVER	1		
42	46-0295	CRANKCASE COVER	1		
43	27-8404	BOLT	5		
44	39-0017	HEX PLUG	1		
45	46-0114	OIL LEVEL INDICATOR	1		
46	43-0032	CONNECTING ROD PIN	3		
47	46-0103	RETAINING RING	6		
48	46-0050	CRANKSHAFT	1		
49	43-0048	KEY	1		
50	26-0049	OIL SEAL	1		
51	46-0113	SHIM	1		
52	46-0296	CRANKCASE COVER-OPEN	1		
53	29-0055	LOCKWASHER	4		
54	27-8471	BOLT	4		

Id	Item #	Description	Quantity	Rev	Comments
KIT	70-0009	VALVE KIT (INC. 6 EACH OF 11-15)			
KIT	70-0030	HEAD RING KIT (INC. 3 EACH OF 16)			
KIT	70-0147	PACKING KIT (INC. 3 EACH OF 17, 18, 20)			
KIT	852-0122	PACKING ASSY. (INC. 3 EACH OF 16, 17, 18, 20, 22)			
KIT	70-0148	INTERMEDIATE RETAINER KIT (INC. 3 EACH 18, 19)			

UNLOADER

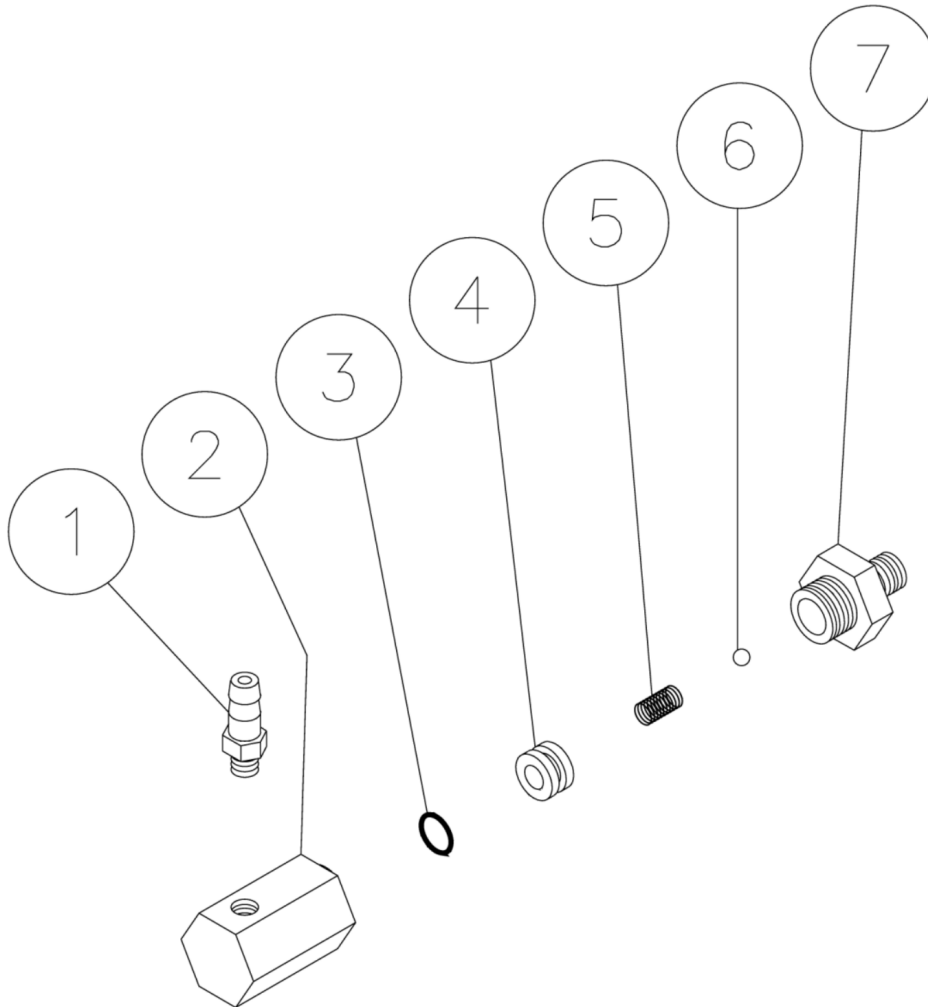


Id	Item #	Description	Quantity	Rev	Comments
1	8-0362	HEX NUT	2		
2	7-0098	COVER	1		
3	27-4280	SET SCREW	1		
4	8-0363	ADJUSTING INSERT- BRASS	1		
5	8-0364	ADJUSTMENT NUT	1		
6	8-0365	SET SCREW	1		
7	8-0366	GLIDE RING	1		
8	49-0104	SPRING	1		
9	8-0367	HEX NUT	1		
10	8-0368	BUSHING	1		
11	8-0369	UNLOADER BODY	1		
12	8-0269	RETAINER	1		
13	8-0104	VALVE HOUSING	1		
14	49-0023	SPRING	1		
15	8-0105	VALVE	1		
16	25-0036	O-RING	1		
17	8-0372	CYLINDER PIN	1		
18	70-0243	PISTON REPAIR KIT	1		
19	8-0371	SPACER	1		
20	8-0157	STOP NUT	1		
21	29-0154	WASHER	2		
	70-0244	CHECK VALVE REPAIR KIT (INCLUDES 13-16)			



HSD-3004-0MDY / HSD-3004-0MDY (sn:0-99999999)

EASY START VALVE

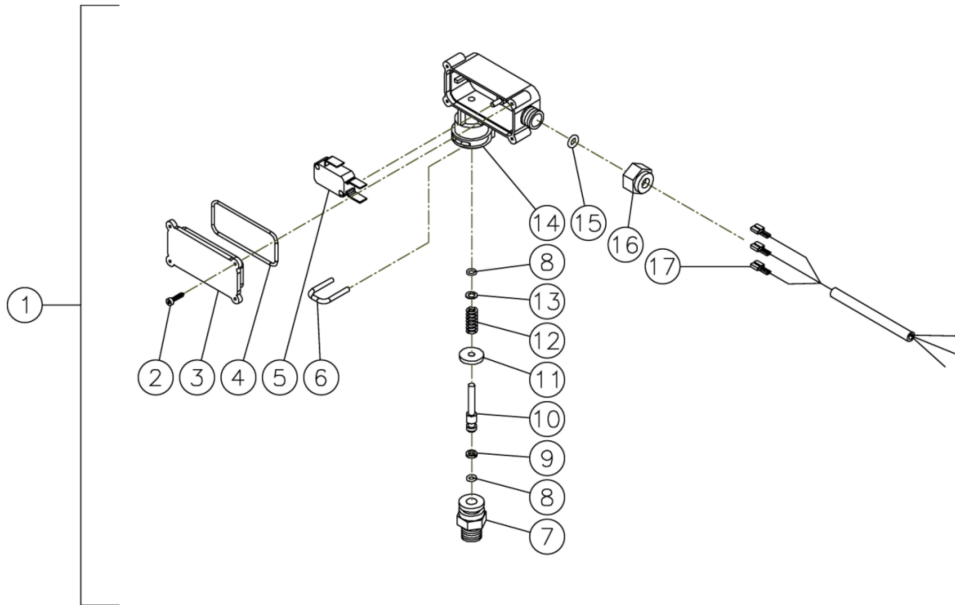


Id	Item #	Description	Quantity	Rev	Comments
1	23-0141	HOSE BARB	1		
2	23-0337	EASY START BODY	1		
3	25-0366	O-RING	1		
4	23-0338	BALL SEAT	1		
5	49-0136	SPRING	1		
6	23-0339	CHECK VALVE BALL	1		
7	23-0340	INLET FITTING	1		



HSD-3004-0MDY / HSD-3004-0MDY (sn:0-99999999)

PRESSURE SWITCH



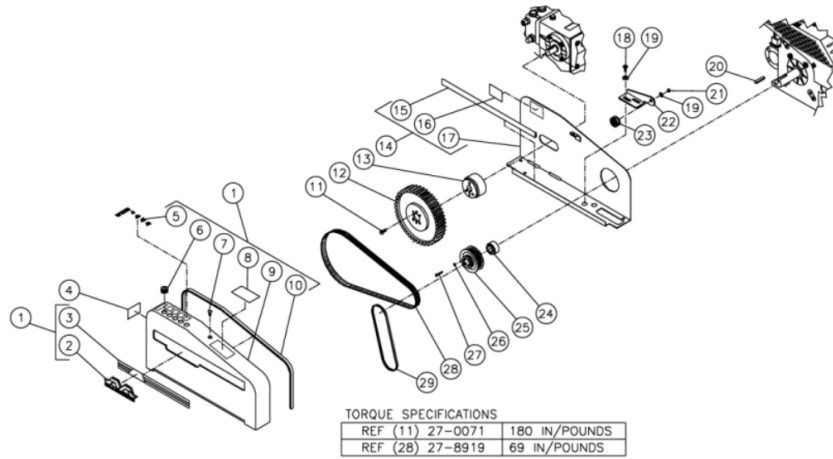
Id	Item #	Description	Quantity	Rev	Comments
1	22-0171	PRESSURE SWITCH- 15 BAR	1		
1	22-0243	PRESSURE SWITCH- 25 BAR	1		
2	N/A	SCREW	4		
3	N/A	COVER	1		
4	N/A Sep.	O-RING (SEE 70-0306)	1		
5	N/A	MICRO SWITCH	1		
6	N/A	RETAINER CLIP	1		
7	N/A	BODY	1		
8	N/A Sep.	O-RING (SEE 70-0306)	2		
9	N/A Sep.	BACK-UP RING (SEE 70-0306)	1		
10	N/A	PISTON	1		
11	N/A	WASHER	1		
12	49-0144	SPRING- 15 BAR	1		
12	49-0145	SPRING- 25 BAR	1		
13	N/A	WASHER	1		
14	N/A	PLASTIC HOUSING	1		

Id	Item #	Description	Quantity	Rev	Comments
15	N/A Sep.	O-RING (SEE 70-0306)	1		
16	N/A	NUT- 15 BAR	1		
16	N/A	NUT- 25 BAR	1		
17	N/A	WIRE ASSEMBLY	1		
KIT	70-0306	O-RING REPAIR KIT (INC. 4, 8-9, 15)			



HSD-3004-0MDY / HSD-3004-0MDY (sn:0-99999999)

BELTGUARD/SHEAVE



Id	Item #	Description	Quantity	Rev	Comments
1	850-0232	BELTGUARD COVER ASSEMBLY (INC. 2, 3, 5-10)	1		
2	62-0087	MI-T-M LOGO	1		
3	34-0501	DECAL- LARGE BELTGUARD	1		
4	34-0521	DECAL- AMERICAN FLAG	1		

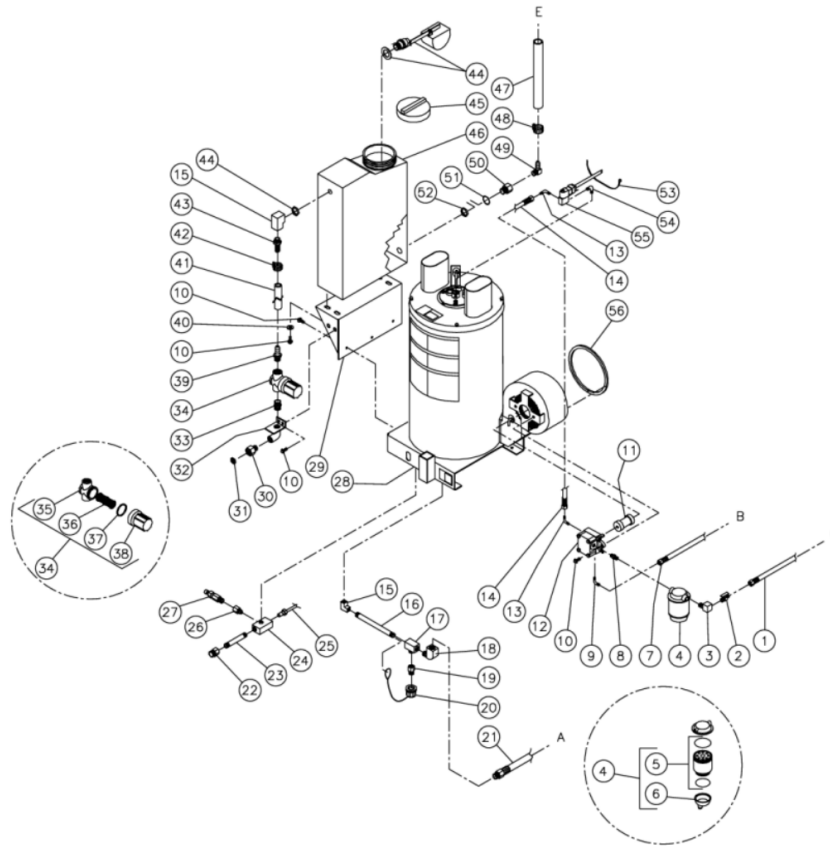
Id	Item #	Description	Quantity	Rev	Comments
5	34-0500	DECAL - NOZZLE	1		
6	33-0001	GROMMET	5		
7	33-0197	FASTENER	1		
8	34-0598	DECAL-WARNING: MUFFLER HOT (E/S)	1		
9	N/A Sep.	BELTGUARD (SEE 850-0232)	1		
10	33-0020	EDGING *(FOUR FEET REQUIRED)	1		
11	27-9525	BOLT	3		
12	10-0094	SHEAVE	1		
13	9-0070	BUSHING	1		
14	850-0230	BELTGUARD BACK ASSEMBLY (INC. 15-17)	1		
15	33-0020	EDGING *(TWO FEET REQUIRED)	1		
16	34-0826	DECAL- WARNING: BELTGUARD IN PLACE (E/S)	1		
17	N/A Sep.	BELTGUARD BACK (SEE 850-0230)	1		
18	27-9525	BOLT	2		
19	28-0022	WASHER	2		
20	43-0078	KEY	1		
21	30-0159	LOCKNUT	1		
22	20-0452A01	SHEAVE BRACKET	1		
23	850-0166	SHEAVE IDLER ASSEMBLY	1		
24	9-0067	BUSHING	1		
25	10-0098	SHEAVE	1		
26	28-1009	LOCKWASHER	4		
27	27-8919	BOLT	4		
28	11-0041	BELT	1		
29	11-0043	BELT	1		

*MUST ORDER IN ONE FOOT LENGTHS



HSD-3004-0MDY / HSD-3004-0MDY (sn:0-99999999)

HEAT EXCHANGER

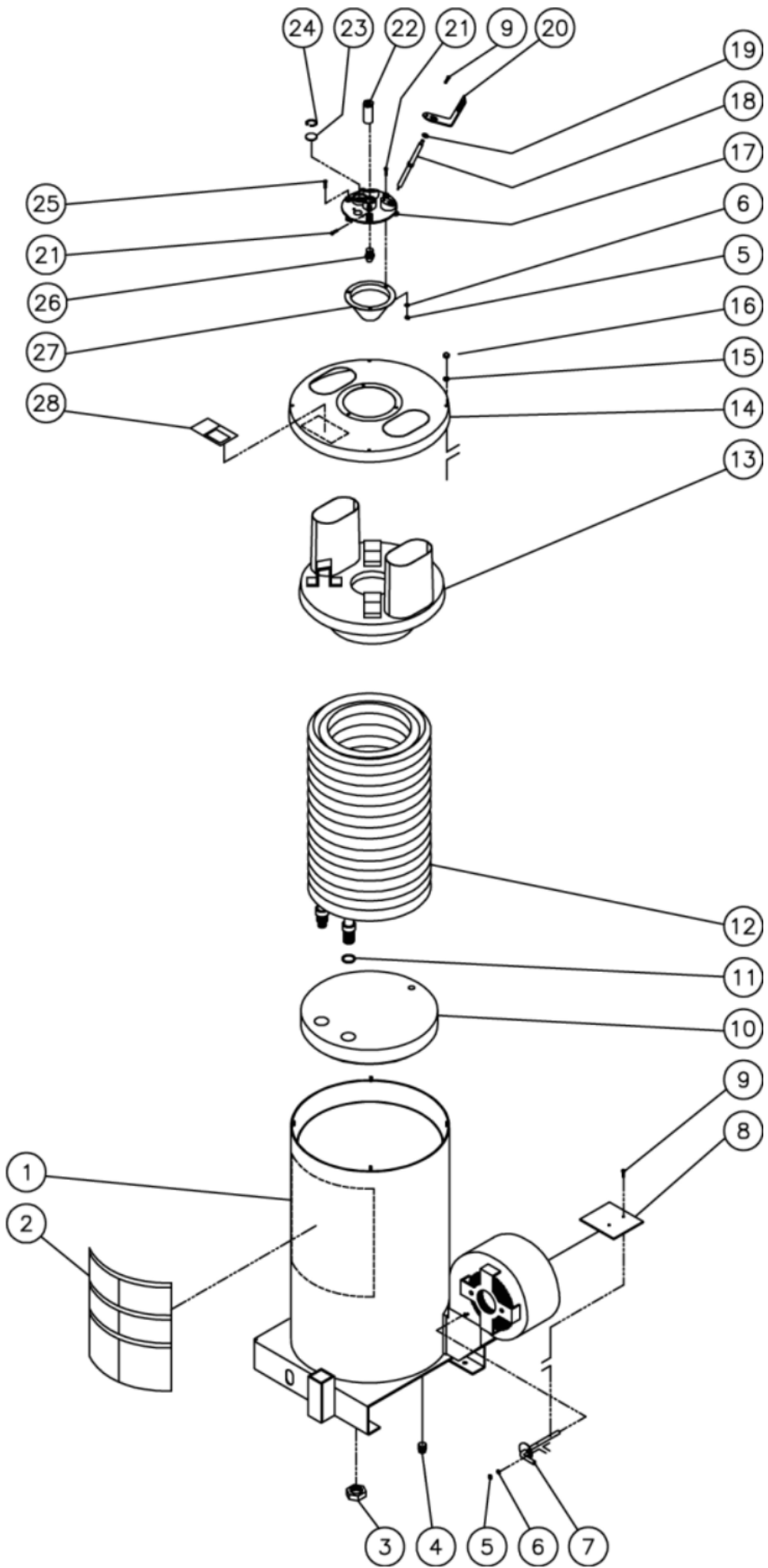


Id	Item #	Description	Quantity	Rev	Comments
1	15-0185	FUEL LINE (INLET)	1		
2	22-0265	SHUT OFF VALVE	1		
3	23-0014	ELBOW	1		
4	19-0070	FUEL WATER SEPARATOR	1		

Id	Item #	Description	Quantity	Rev	Comments
5	19-0053	REPLACEMENT FILTER	1		
6	19-0071	REPLACEMENT BOWL	1		
7	15-0184	FUEL LINE	1		
8	24-0145	NIPPLE	1		
9	23-0237	ELBOW	1		
10	27-9524	BOLT	11		
11	33-0225	COUPLER	1		
12	3-0020	FUEL PUMP	1		
13	23-0287	ELBOW	2		
14	15-0173	FUEL LINE (PRESSURE)	1		
15	23-0307	ELBOW	2		
16	24-0158	PIPE NIPPLE	1		
17	23-0117	TEE	1		
18	24-0105	ELBOW	1		
19	23-0279	ADAPTER	1		
20	850-0218	COIL DRAIN PLUG ASSEMBLY	1		
21	15-0186	HIGH PRESSURE HOSE	1		
22	23-0197	ADAPTER	1		
23	24-0141	PIPE NIPPLE	1		
24	24-0138	COIL OUTLET ASSEMBLY	1		
25	32-0423	HIGH LIMIT TEMP SWITCH	1		
26	23-0369	ADAPTER	1		
27	22-0273	PRESSURE RELIEF VALVE	1		
28	850-0227	BOILER ASSEMBLY	1		
29	20-0447A01	WATER TANK BRACKET- BLACK	1		
30	23-0095	GARDEN HOSE FITTING	1		
31	26-0001	WASHER	1		
32	20-0422A01	BRACKET- BLACK	1		
33	23-0012	NIPPLE	1		
34	19-0085	WATER FILTER	1		
35	19-0058	STRAINER CAP	1		
36	19-0059	STAINLESS STEEL SCREEN	1		
37	26-0160	STRAINER GASKET	1		
38	19-0060	STRAINER BOWL	1		
39	23-0005	HOSE BARB	1		
40	28-0022	WASHER	4		
41	15-0007	HOSE *(TWO FEET REQUIRED)	1		
42	42-0011	HOSE CLAMP	1		
43	23-0105	HOSE BARB	1		

Id	Item #	Description	Quantity	Rev	Comments
44	850-0238	FLOAT VALVE	1		
45	39-0100	PLASTIC LID	1		
46	12-0067	WATER FLOAT TANK	1		
47	15-0033	HOSE *(TWO FEET REQUIRED)	1		
48	42-0003	HOSE CLAMP	1		
49	23-0037	HOSE BARB	1		
50	23-0343	RESTRICTOR	1		
51	25-0427	O-RING	1		
52	23-0138	JAMNUT	1		
53	33-0022	WIRE TIE	1		
54	23-0249	ELBOW	1		
55	44-0098	SOLENOID VALVE	1		
56	26-0129	SEAL FOAM *(TWO FEET REQUIRED)	1		

* MUST ORDER IN ONE FOOT LENGTHS

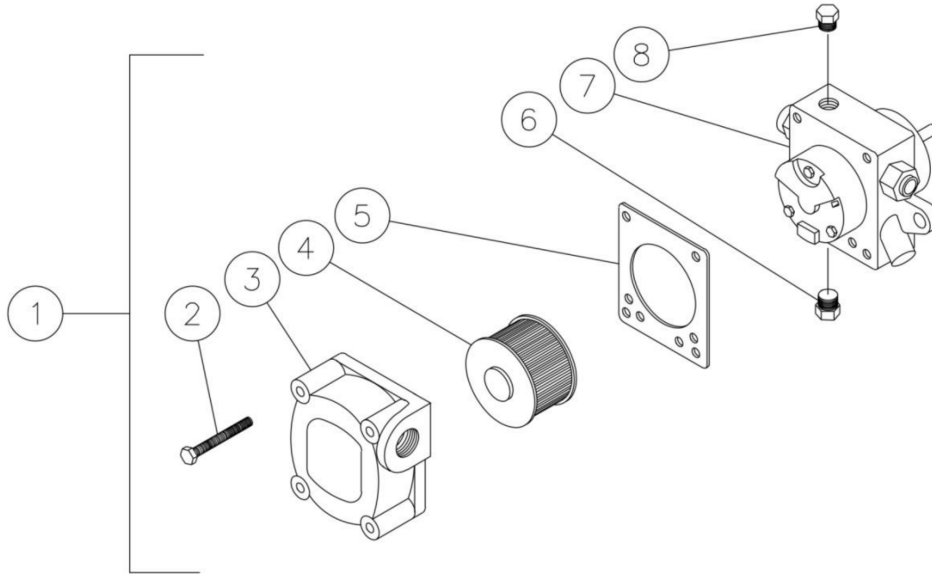


Id	Item #	Description	Quantity	Rev	Comments
1	20-0438A01	OUTER WRAP ASSEMBLY-BLACK	1		
2	34-0847	DECAL-WARNING/CAUTION/OPERATING INSTRUCTIONS (E/S)	1		
3	30-0121	NUT	2		
4	24-0034	PLUG	1		
5	30-6001	HEX NUT	4		
6	28-1009	LOCKWASHER	4		
7	20-0377A01	AIR DIVERTER STEM-BLACK	1		
8	20-0378A01	AIR DIVERTER PLATE-BLACK	1		
9	27-8879	BOLT	6		
10	33-0250	INSULATION BOTTOM	1		
11	28-0521	WASHER	2		
12	66-0011	HEAT EXCHANGER COIL	1		
13	20-0372	INNER PAN	1		
14	20-0371A01	TOP PAN-BLACK	1		
15	28-1028	LOCKWASHER	4		
16	30-6002	NUT	4		
17	38-0046	ELECTRODE PLATE	1		
18	32-0420	ELECTRODE	2		
19	25-0171	O-RING	2		
20	20-0446A01	ELECTRODE CLIP-BLACK	2		
21	27-8878	BOLT	4		
22	23-0292	NOZZLE HOLDER	1		
23	33-0252	SIGHT GLASS	1		
24	33-0254	SNAP RING	1		
25	27-9526	BOLT	5		
26	18-0325	FUEL OIL NOZZLE 2.25 70°B	1		
27	20-0373	CONE	1		
28	34-0808	DECAL- WARNING: HOT COIL/EXHAUST (E/S)	1		



HSD-3004-0MDY / HSD-3004-0MDY (sn:0-99999999)

FUEL PUMP

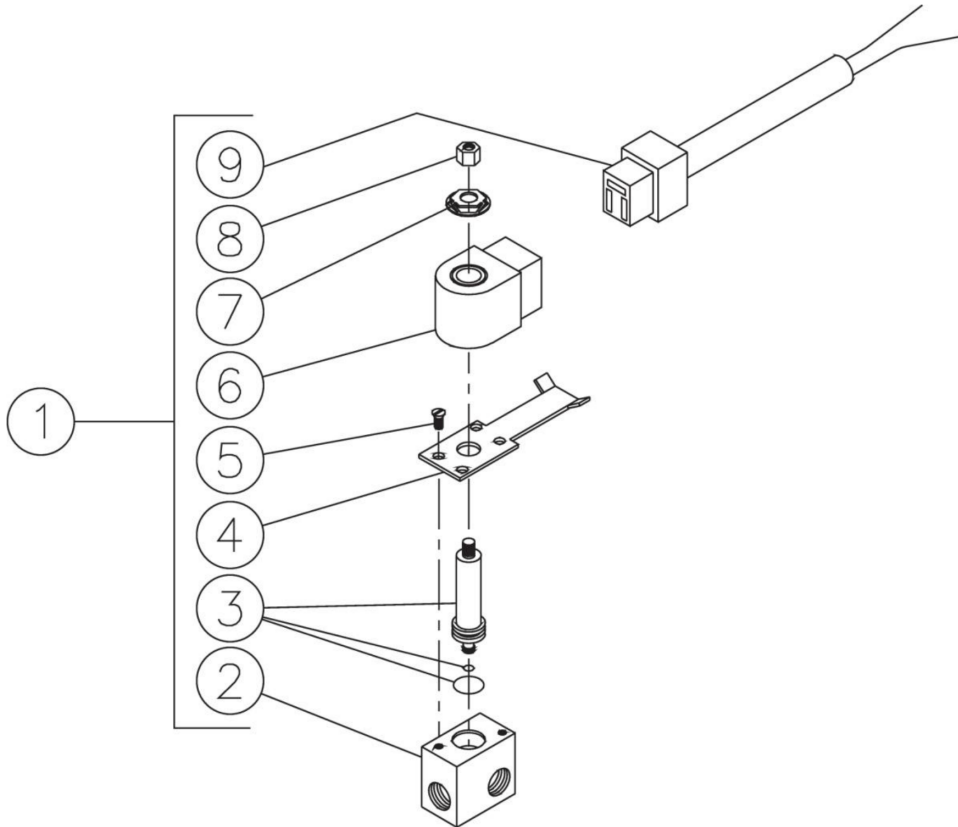


Id	Item #	Description	Quantity	Rev	Comments
1	3-0020	FUEL PUMP COMPLETE (INC. 2-8)	1		
2	46-1006	COVER SCREW	4		
3	46-1005	COVER	1		
4	19-0034	STRAINER	1		
5	26-0109	COVER GASKET	1		
6	24-0044	PLUG	3		
7	N/A	BODY	1		
8	24-0082	PLUG	1		



HSD-3004-0MDY / HSD-3004-0MDY (sn:0-99999999)

SOLENOID

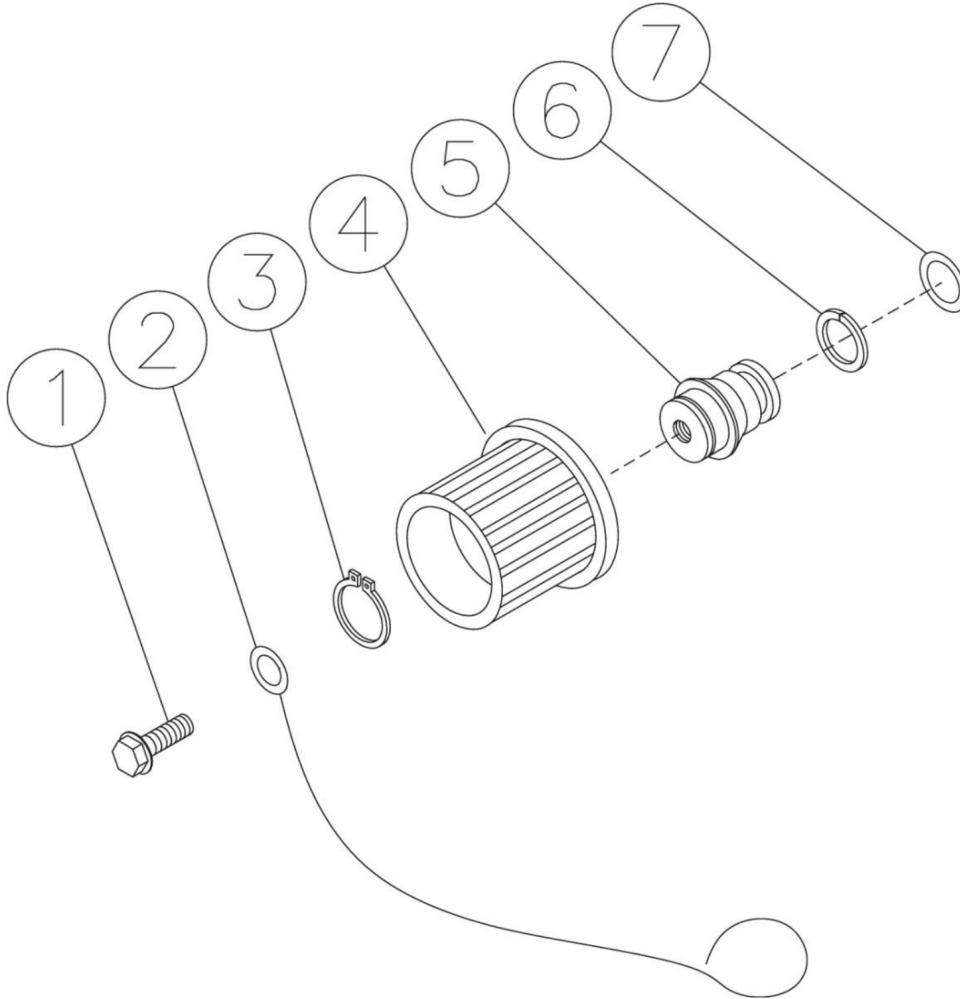


Id	Item #	Description	Quantity	Rev	Comments
1	44-0098	SOLENOID COMPLETE-12V	1		
2	46-1013	SOLENOID BODY	1		
3	46-1012	SOLENOID PISTON	1		
4	46-1014	SOLENOID BASE	1		
5	N/A Sep.	SCREW (SEE 44-0098)	2		
6	46-1015	SOLENOID COIL-12V	1		
7	N/A Sep.	SPRING (SEE 44-0098)	1		
8	46-1016	PISTON NUT	1		
9	32-0443	DIN CONNECTOR CORD	1		



HSD-3004-0MDY / HSD-3004-0MDY (sn:0-99999999)

COIL DRAIN PLUG

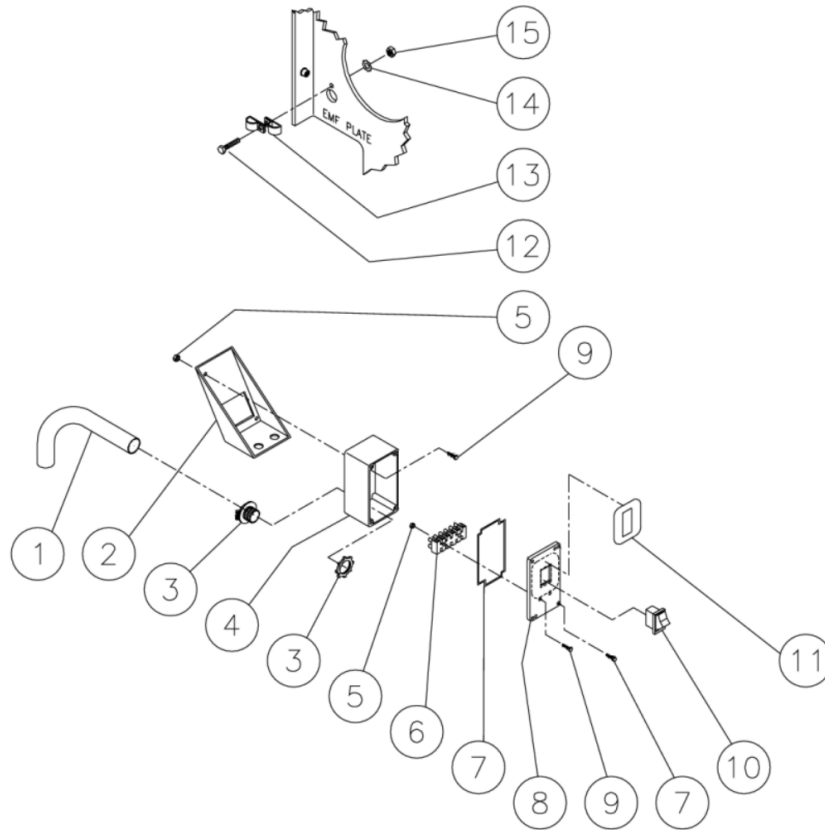


Id	Item #	Description	Quantity	Rev	Comments
1	27-9526	BOLT	1		
2	33-0260	RETAINING CABLE	1		
3	33-0261	SNAP RING	1		
4	16-0239	HAND WHEEL	1		
5	24-0147	PLUG	1		
6	25-0424	BACK-UP RING	1		
7	25-0423	O-RING	1		



HSD-3004-0MDY / HSD-3004-0MDY (sn:0-99999999)

SWITCH BOX



Id	Item #	Description	Quantity	Rev	Comments
1	33-0218	CONDUIT *(TWO FEET REQUIRED)	1		
2	20-0380A01	BRACKET	1		
3	32-0085	CONNECTOR	1		
4	32-0429A01	ELECTRICAL BOX	1		

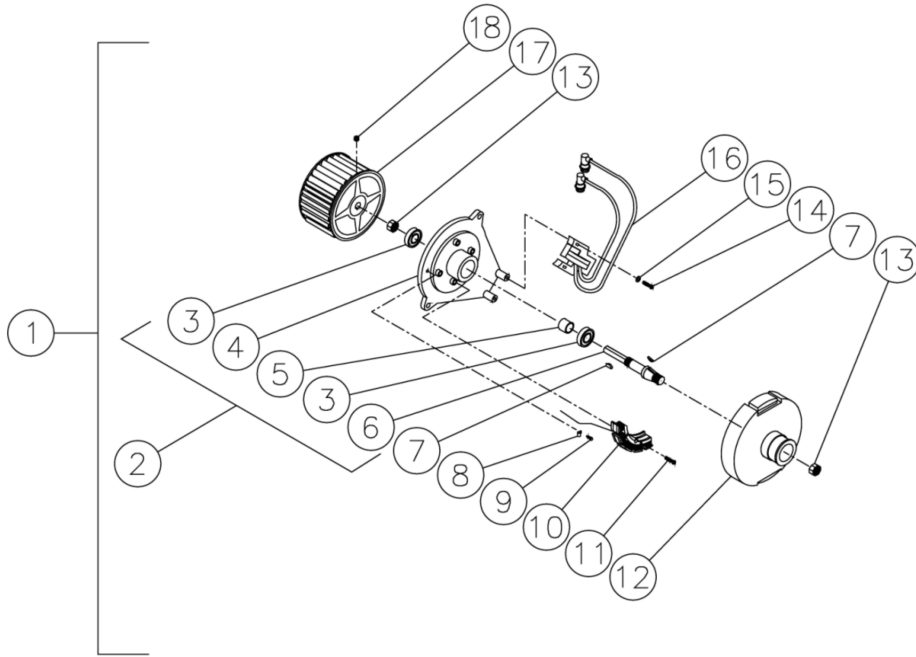
Id	Item #	Description	Quantity	Rev	Comments
5	30-0152	HEX NUT	4		
6	32-0394	TERMINAL STRIP *(ONE FOOT REQUIRED)	1		
7	70-0169	BOLTS AND GASKETS KIT	1		
8	32-0430A01	ELECTRICAL BOX LID	1		
9	27-8881	BOLT	4		
10	32-0422	SWITCH	1		
11	34-0849	DECAL-ON/OFF (E/S)	1		
12	27-8897	BOLT	1		
13	32-0403	WIRE CLAMP	2		
14	28-1009	LOCKWASHER	1		
15	30-0137	NUT	1		

*MUST ORDER IN ONE FOOT LENGTHS



HSD-3004-0MDY / HSD-3004-0MDY (sn:0-99999999)

EMF ASSEMBLY



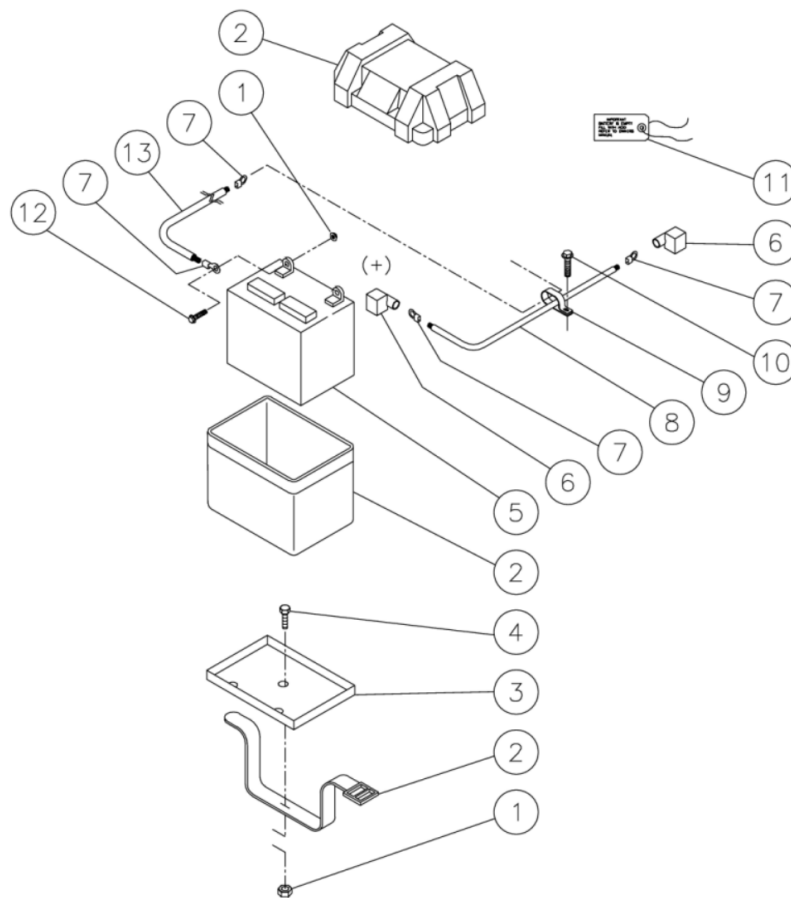
Id	Item #	Description	Quantity	Rev	Comments
1	850-0228	EMF ASSEMBLY	1		
2	850-0229	BLOWER FLANGE ASSEMBLY	1		
3	48-0041	BEARING	2		
4	38-0040	BLOWER FLANGE	1		
5	33-0206	SPACER	1		
6	20-0441	BLOWER SHAFT	1		
7	43-0080	KEY-WOODRUFF	2		
8	32-0403	CABLE CLAMP	1		
9	27-2070	SCREW	1		
10	850-0201	STATOR COIL	1		
11	27-0740	SCREW	2		
12	38-0041	FLANGE	1		
13	30-0177	HEX NUT	2		
14	27-8898	BOLT	2		
15	28-0002	FLATWASHER	2		

Id	Item #	Description	Quantity	Rev	Comments
16	850-0191	IGNITION COIL ASSEMBLY	1		
17	44-0105	BLOWER FAN	1		
18	30-3021	SCREW	1		



HSD-3004-0MDY / HSD-3004-0MDY (sn:0-99999999)

BATTERY BOX



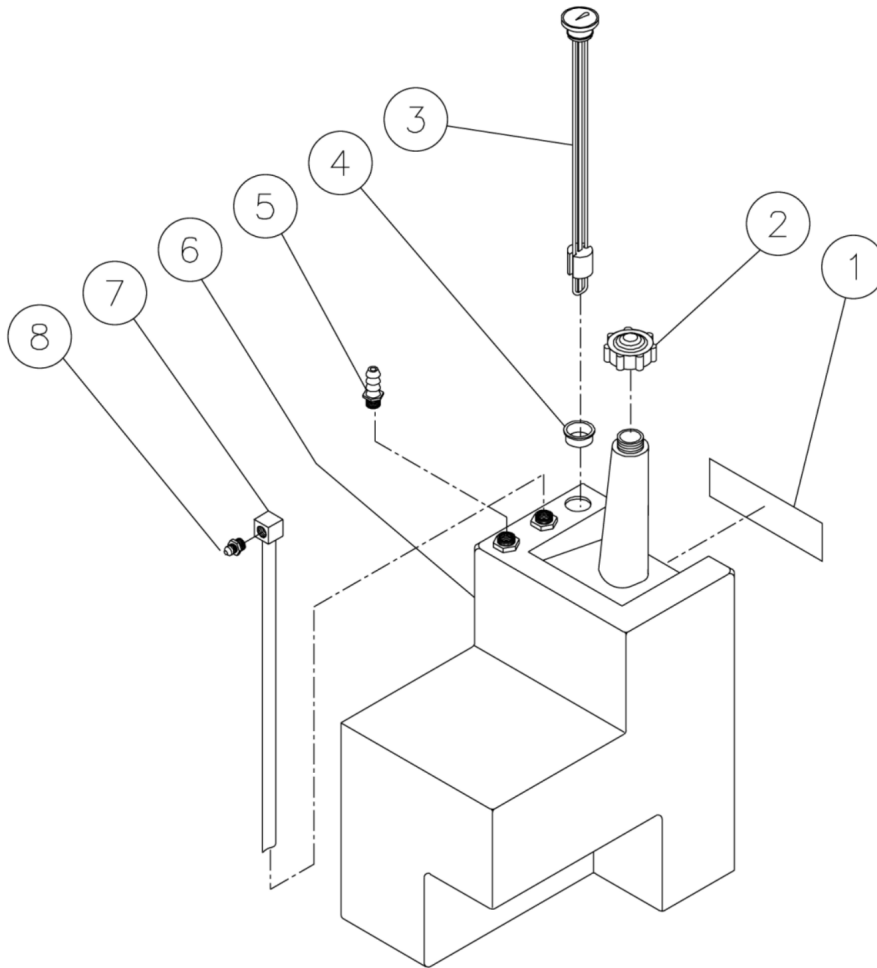
Id	Item #	Description	Quantity	Rev	Comments
1	30-3023	LOCKNUT	5		
2	33-0092	BATTERY BOX	1		
3	20-0264A01	BATTERY RETAINER- BLACK	1		
4	27-8042	BOLT	3		

Id	Item #	Description	Quantity	Rev	Comments
5	32-0058	BATTERY	1		
6	33-0004	TERMINAL PROTECTOR	2		
7	32-0097	RING TERMINAL	4		
8	32-0065	BATTERY CABLE *(THREE FEET REQUIRED)	1		
9	33-0292	CABLE CLAMP	1		
10	27-9531	BOLT	1		
11	34-0096	BATTERY TAG	1		
12	27-9524	BOLT	2		
13	32-0065	CABLE *(THREE FEET REQUIRED)	1		
		*MUST ORDER IN ONE FOOT LENGTHS			



HSD-3004-0MDY / HSD-3004-0MDY (sn:0-99999999)

ENGINE FUEL TANK

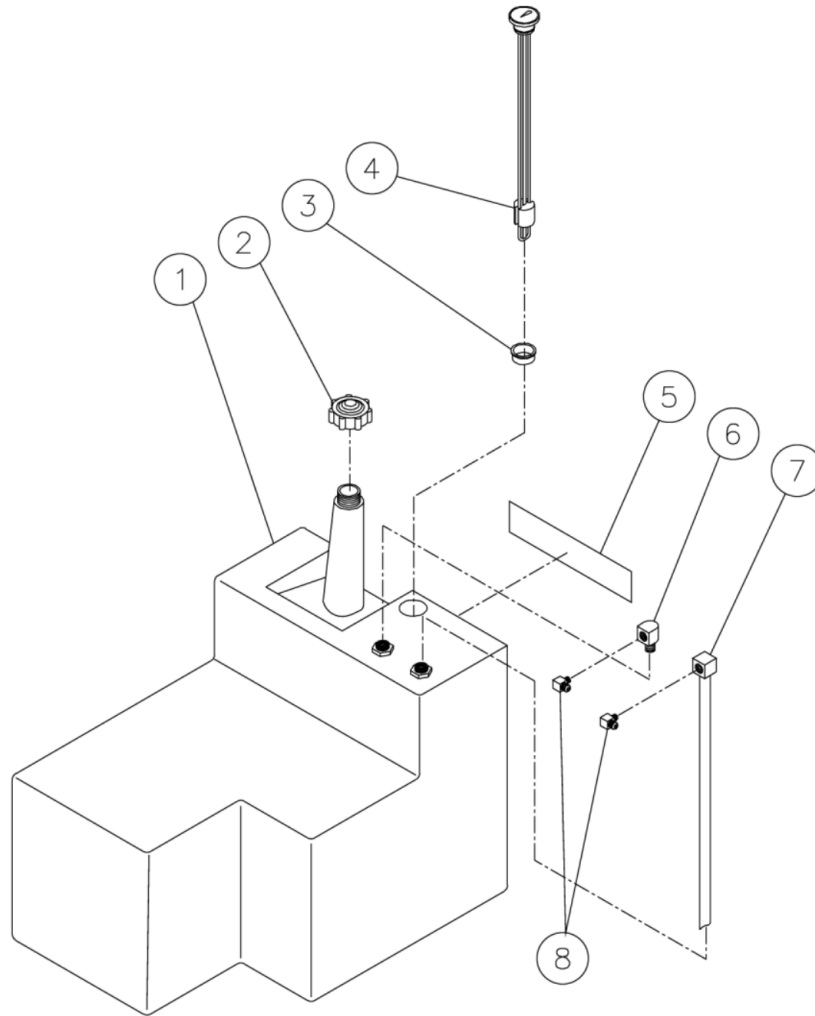


Id	Item #	Description	Quantity	Rev	Comments
1	34-0806	DECAL-WARNING: RISK OF FIRE (E/S)	1		
2	12-0033	FUEL CAP	1		
3	22-0266	FUEL GAUGE	1		
4	33-0255	GASKET	1		
5	23-0379	HOSE BARB	1		
6	N/A Sep	GASOLINE FUEL TANK	1		
7	33-0282	FUEL PICKUP	1		
8	23-0247	NIPPLE	1		



HSD-3004-0MDY / HSD-3004-0MDY (sn:0-99999999)

BURNER FUEL TANK



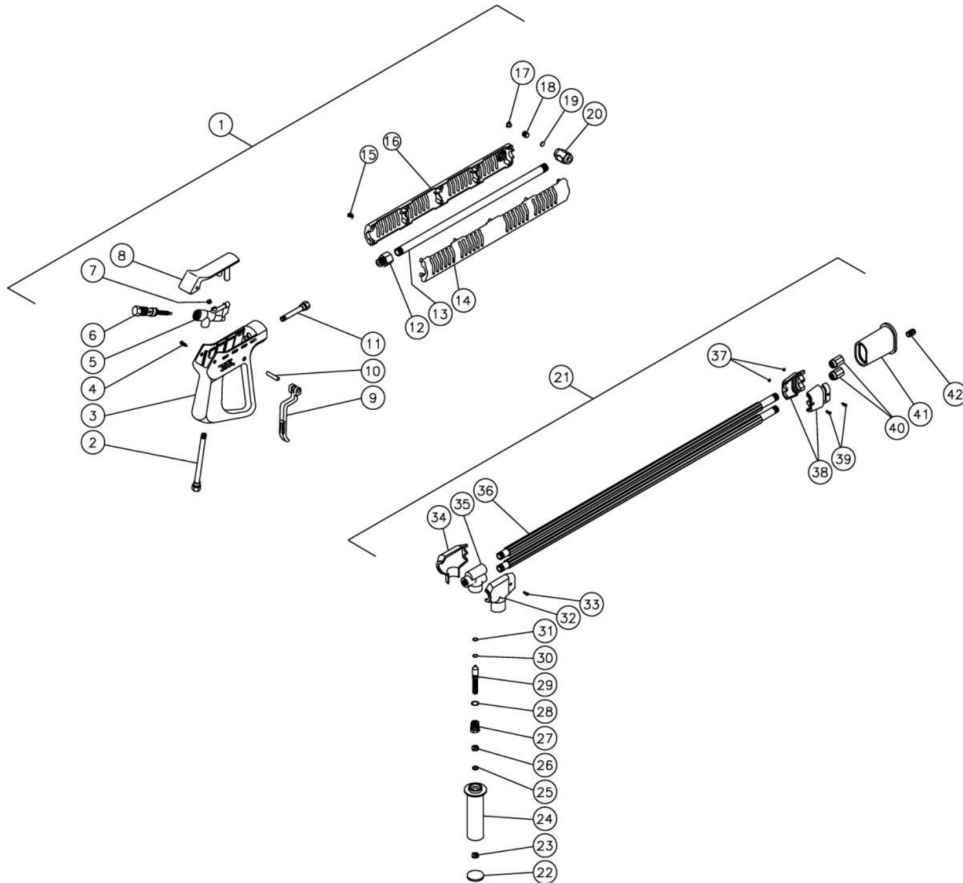
Id	Item #	Description	Quantity	Rev	Comments
1	12-0033	FUEL CAP	1		
2	N/A Sep.	DIESEL FUEL TANK (SEE 850-0235)	1		
3	33-0255	GROMMET	1		
4	22-0266	FUEL GAUGE	1		
5	34-0806	DECAL- WARNING: RISK OF FIRE (E/S)	1		
6	23-0014	ELBOW	1		

Id	Item #	Description	Quantity	Rev	Comments
7	33-0282	FUEL PICKUP	1		
8	23-0237	ELBOW	2		
	850-0235	COMPLETE DIESEL FUEL TANK (INC. 1-8)			



HSD-3004-0MDY / HSD-3004-0MDY (sn:0-99999999)

GUN/LANCE ASSEMBLY



Id	Item #	Description	Quantity	Rev	Comments
1	850-0181	GUN/LANCE ASSEMBLY (INCLUDES 2-20)	1		
2	16-0016	PIPE ASSEMBLY	1		
3	16-0008	PLASTIC HOUSING	1		
4	27-3230	SCREW	2		
5	16-0012	HOUSING	1		
6	70-0055	GUN REPAIR KIT	1		
7	39-0024	PLUG	1		
8	16-0009	COVER	1		
9	16-0010	TRIGGER SAFETY LOCK-OFF	1		
10	16-0063	TRIGGER PIN	1		
11	16-0013	PIPE ASSEMBLY	1		

Id	Item #	Description	Quantity	Rev	Comments
12	16-0283	ADAPTOR	1		
13	16-0277	PIPE	1		
14	16-0320	GUARD LANCE (RIGHT SIDE)	1		
15	27-8382	SCREW	6		
16	16-0321	GUARD LANCE (LEFT SIDE)	1		
17	39-0076	PLUG	1		
18	49-0103	SCREW	1		
19	16-0282	SPACER	1		
20	N/A Sep.	LANCE HOLDER (SEE 16-0306)	1		
21	850-0185	DUAL LANCE ASSEMBLY (INCLUDES 22-42) 36"	1		
21	850-0180	DUAL LANCE ASSEMBLY (INCLUDES 22-42) 48"	1		
22	16-0312	HANDLE PLUG	1		
23	30-3002	NUT	1		
24	16-0313	HANDLE	1		
25	28-1021	WASHER	1		
26	30-3010	NUT	1		
27	23-0271	ADAPTOR	1		
28	25-0351	O-RING	1		
29	16-0314	PISTON	1		
30	25-0352	BACK-UP RING	1		
31	25-0353	O-RING	1		
32	16-0315	UPPER PROTECTOR	1		
33	27-8862	SCREW	1		
34	16-0316	LOWER PROTECTOR	1		
35	23-0272	BODY	1		
36	16-0328	LANCE W/PROTECTIVE COVER 36"	2		
36	16-0317	LANCE W/PROTECTIVE COVER 48"	2		
37	30-3060	NUT	2		
38	16-0318	PIPE CLAMP	2		
39	27-8861	SCREW	2		
40	24-0127	NIPPLE	2		
41	16-0319	NOZZLE PROTECTOR	1		
42	18-0110	NOZZLE-6540	1		
KIT	16-0001	GUN ASSEMBLY (INC. 12-20)			
KIT	16-0306	LANCE ASSEMBLY (INC. 13-21)			
KIT	70-0143	O-RING KIT (INC. 28, 30, 31)			