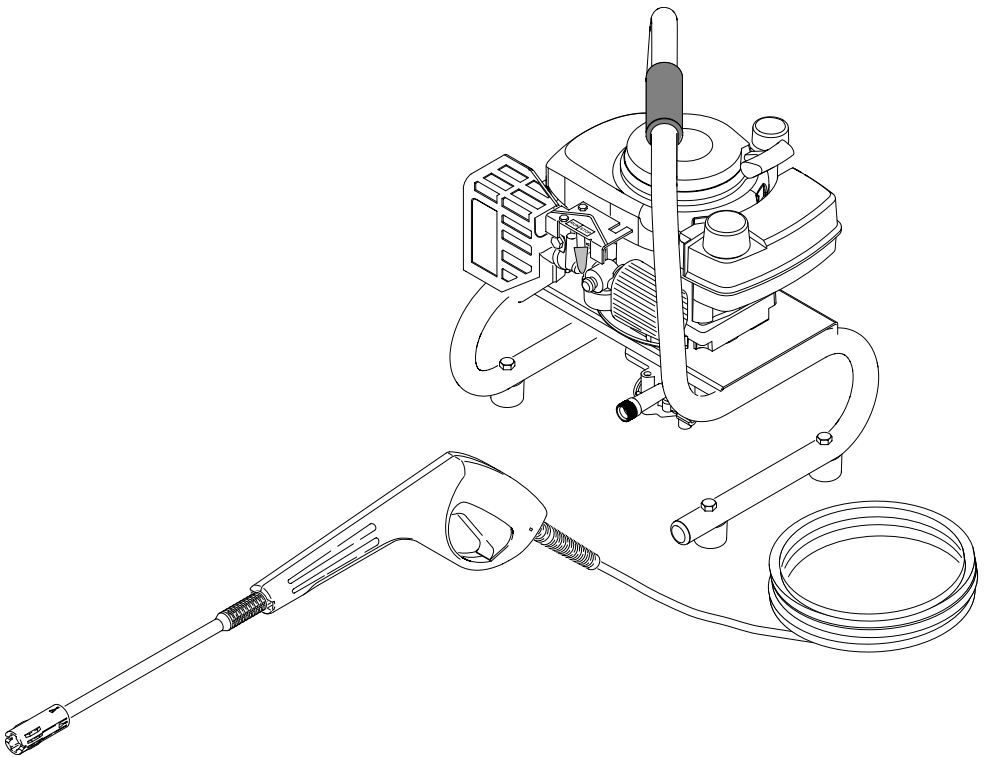


G 2000 QT

English 2

Español 14

Français 26



High Pressure Washer Operator Manual

Overview	3
Precautions	4
Assembly Instructions	5
Operating Instructions	6
Using the Accessories	7
Working with Detergents	8
Shut Down and Clean-Up	9
Taking a Break	9
Winterizing and Long-Term Storage	9
Cleaning Tips	10-11
Optional Cleaning Accessories	11
Troubleshooting	12-13

2

Specifications

Max. Operating pressure	2000 PSI
Water volume	2 GPM
Detergent suction	0.13 – 0.18 GPM
Engine	4 HP Tecumseh LV 148
Part No.	1.133-601
Serial No.	_____

Kärcher Customer Support USA

Call: **1-800-537-4129** for help
or visit our website:
www.karcher-usa.com

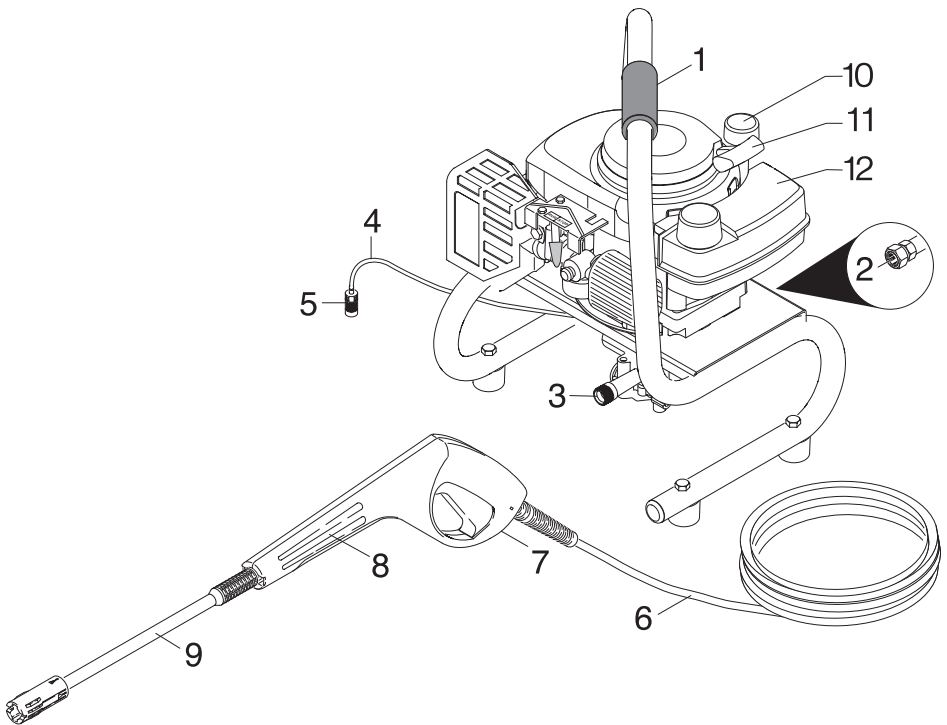
Kärcher Customer Service CDN

Call: **1-800-465-4980** for help
or visit our website:
www.karcher.ca

Model G 2000 QT OVERVIEW

Item Description

1. Handle
2. Water inlet with garden hose connector
3. High pressure outlet
4. Detergent suction tube
5. Detergent filter
6. High pressure hose
7. Trigger gun safety lock
8. Trigger gun
9. Spray wand with High/Low pressure nozzle
10. Oil fill cap
11. Pull start
12. Gas tank



Caution

- Follow the maintenance instructions specified in the manual.
- This machine has been designed for use with cleaning detergents by the manufacturer. The use of other cleaning detergents may affect the operation of the machine and void the warranty.

IMPORTANT PRECAUTIONS – Read First!

IMPORTANT SAFETY INSTRUCTIONS

WARNING – When using this product basic precautions should always be followed, including the following:

WARNING – Risk of Injection or Injury – Do Not Direct Discharge Stream At Persons.

- Read all the instructions before using the product.
- Fire hazard! Do not add fuel with the engine running. Do not operate if fuel has been spilled. Instead, move the machine to a different location and avoid creating sparks.
- Operate and fuel machine in a well ventilated area, free of devices featuring an open pilot or flame such as boilers, water heaters, etc.
- High pressure jets can be dangerous if subject to misuse. The jet must not be directed at persons, animals, electrical devices, or the machine itself.
- Wear safety goggles.
- Do not use acids, alkaline, solvents, or any flammable material in this product. These products can cause physical injuries to the operator and irreversible damage to the machine.
- The machine has hot surfaces which can cause burns. Operate the unit in a safe environment and away from children.
- Do not allow the high pressure hose to come into contact with the muffler guard.
- Do not leave the machine running unattended.
- Learn how to stop the machine and release pressure quickly. Be thoroughly familiar with the controls.
- Stay alert — watch what you are doing.
- Do not operate the product when fatigued or under the influence of alcohol or drugs.
- Do not stand on unstable surfaces. Stand with both feet balanced at all times.
- Avoid tipping the machine on its side.

- The Gun Safety Lock PREVENTS the trigger from accidentally being engaged. This safety feature DOES NOT lock trigger in the on position.
- Do not spray electrical connections, electrical outlets or fixtures.
- Do not touch hot surfaces or allow accessories to contact hot surfaces.
- Do not operate in an enclosed space, exhaust fumes are dangerous.
- Do not operate near utilities with open flames.
- Do not operate pressure washer without the water turned on.
- Do not use hot water.

WATER SUPPLY (Cold Water Only)

- Water hose must be at least 5/8 inch in diameter.
- Flow rate of water supply must not fall below 2.5 GPM (gallons per minute).
- Flow rate can be determined by running the water for one minute into an empty 5-gallon container.
- The water supply temperature must not exceed 104°F/40°C.
- Never use the pressure washer to draw in water contaminated with solvents, e.g. paint thinners, gasoline, oil, etc.
- Always prevent debris from being drawn into the unit by using a clean water source.

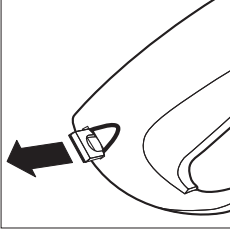
We strongly recommend that this high pressure washer not be left running for periods of 5 minutes or longer without the trigger gun being engaged.

- SAVE THESE INSTRUCTIONS -

ASSEMBLY INSTRUCTIONS

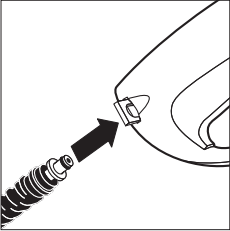
Step 1

Push the clip from the other side if it is completely set. Use a small screwdriver to help push out of the locking clip.



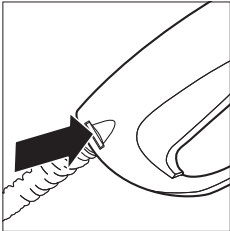
Step 2

Insert the small end of the high pressure hose into place.



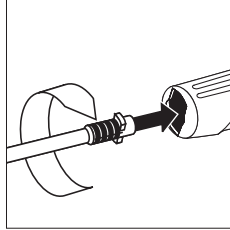
Step 3

Push the locking slide back into the trigger gun to lock the hose in position.



Step 4

Insert the spray wand into the gun. Push in and turn clockwise to lock spray wand in place. Turn the wand collar clockwise onto the spray wand threads.



OPERATING INSTRUCTIONS

Important!

Do not run the engine with a high or low oil level as this can cause engine damage. If you have further questions regarding the engine, please refer to the engine's operating manual included with the unit.

Step 1

Check oil level. Oil level should always be between the "FULL" and "ADD" marks on the dipstick. Be sure the machine is level when checking the oil level. (Refer to the engine's operating manual for seasonal grades.).

Step 2

Fill gas tank with unleaded gasoline.
Do not use leaded gasoline.

Step 3

Connect the high pressure hose to the unit's high pressure outlet.

6

Step 4

Connect garden hose to unit's water inlet.

Step 5

Connect garden hose to the cold water source and turn water on completely.
Do not use hot water.

Step 6

Unlock the lock of the trigger gun.
Trigger the gun to eliminate trapped air, wait for a steady flow of water to emerge from the spray nozzle.

Step 7

Slide the throttle control to the RUN position.

Step 8

Push the primer ball three times.
Wait 3 seconds between each push.
Note: in cold weather push 5 times.

Step 9

Pull the starter handle. If the engine fails to start after 3 pulls squeeze the trigger gun to release pressure, and repeat step 9.

USING THE ACCESSORIES

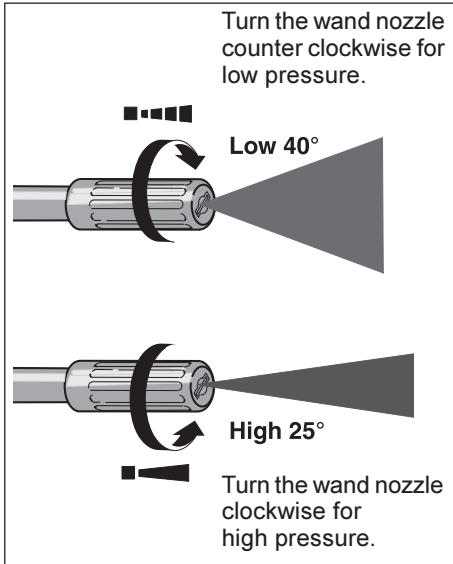
High/Low pressure nozzle

This nozzle features two positions. The high setting provides a steady powerful 25° high pressure spray pattern, for general cleaning. The low setting creates a wider 40° low pressure pattern.

NOTE: Detergent is applied with the nozzle set at low pressure.

Warning

**TO AVOID SERIOUS INJURY,
NEVER POINT SPRAY NOZZLE
AT YOURSELF, OTHER PERSONS
OR ANIMALS.**

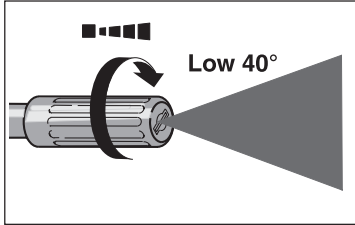


WORKING WITH DETERGENTS

Detergents can only be applied in the "low" setting.

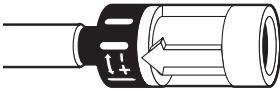
Step 1

Set the spray wand to the low pressure (-) position.



Step 2

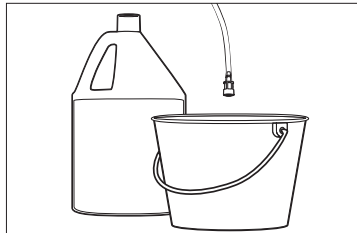
Adjust the filter end of the detergent tube for light (- / 0.13 gpm), or maximum (+ / 0.18 gpm) detergent coverage.



8

Step 3

Fill a container with Kärcher detergent. Place the filter end of detergent suction tube into the container.



Step 4

With the engine running, pull trigger to operate unit: Liquid detergent is drawn into the unit and mixed with water. Apply detergent to work area. Do not allow detergent to dry on surface.

For best results see Cleaning Tips on pages 10 & 11 for specific information on how to clean different surfaces.

Always Use Kärcher Detergents for Best Results.

Kärcher biodegradable detergents are specially formulated to protect the environment and your pressure washer. Special formula won't clog the suction tube filter and will protect the internal parts of the pressure washer for a longer life. For Kärcher Detergents, check your retailer or call our service center for help.

The following Kärcher detergents are available in USA / Mexico:

- All Purpose and Vehicle Wash
- Exterior House Cleaner
- Deck & Patio Cleaner
- Heavy Duty Degreaser

The following Kärcher detergents are available in Canada:

- Vehicle Wash
- Pressure Wash
- Deck + Fence Wash
- Degreaser



Caution Never use:

- Bleach, Chlorine products and other corrosive chemicals.
- Liquids containing solvents (i.e., paint thinners, gasoline, oils).
- Tri-sodium phosphate products.
- Ammonia products.
- Acid-based products.

These chemicals will harm the unit and will damage the surface being cleaned.

SHUTTING DOWN & CLEAN-UP

SHUTTING DOWN

Step 1

Remove detergent suction tube from container and insert into 1 gallon of fresh water. Siphon water at low pressure for one minute.

Step 2

Turn off the engine.

Step 3

Turn off the water source.

Step 4

Press trigger to release water pressure.

Step 5

Disconnect the garden hose from the water inlet on the unit.

Step 6

Disconnect the high pressure hose from the high pressure outlet and engage the gun safety lock.

TAKING A BREAK

... five minutes or more

Step 1

Turn off the engine.

Step 2

Engage gun safety lock.

MAINTENANCE INSTRUCTIONS

Cleaning the water inlet filter

- Pull out the water inlet filter with flat-nose pliers and rinse filter in warm water.

Cleaning the detergent filter

- Pull out the detergent suction tube and rinse filter in warm water.

WINTERIZING AND LONG-TERM STORAGE

1. Disconnect all water connections.
2. Turn on the machine for a few seconds, until the water which had remained in the pump exits. Turn off immediately.
3. Do not allow high pressure hose to become kinked.
4. Store the machine and accessories in a room which does not reach freezing temperatures.

Caution: Failure to follow the above directions will result in damage to the pump assembly and accessories.

Kärcher also recommends the regular practice of using a pump protector like 'Kärcher Pump Protector' to help during storage in the winter months.

CLEANING TIPS

Deck Cleaning (with or without detergent)

Pre-rinse deck and surrounding area with fresh water. If using Kärcher Deck & Patio Cleaner, (*Canada: Deck + Fence Wash*) place detergent suction tube directly into cleaning solution and apply to surface at low pressure. For best results, limit your work area to smaller sections of approximately 25 square feet. Allow detergent to remain on surface 1-3 minutes. Do not allow detergent to dry on surface. Rinse at high pressure in a long sweeping motion keeping the spray nozzle approximately 3-6 inches from the cleaning surface. Always clean from top to bottom and from left to right. When moving on to a new section of the cleaning surface, be sure to overlap the previous section to eliminate stop marks and ensure a more even cleaning result.

Caution: *Do not use rotating nozzle spray wand on wood surface as it may cause damage.*

10 House Siding (with or without detergent)

Pre-rinse cleaning surface with fresh water. If using Kärcher Exterior House Cleaner (*Canada: Pressure Wash*), place detergent suction tube directly into cleaning solution and apply to surface at low pressure (for best results, limit your work area to sections of approximately 6 feet and always apply detergent from bottom to top). Allow detergent to remain on surface 1-3 minutes. Do not allow detergent to dry on surface, if surface appears to be drying, simply wet down surface with fresh water. Rinse at high pressure from top to bottom in an even sweeping motion keeping the spray nozzle approximately 6 inches from the cleaning surface.

Caution: *Do not use rotating nozzle spray wand on siding as it may cause damage.*

Cement Patios, Brick and Stone (with or without detergent)

Pre-rinse cleaning surface with fresh water. If using Kärcher All Purpose and Vehicle Wash (*Canada: Pressure Wash or Degreaser*), place detergent suction tube directly into cleaning solution and apply to surface at low pressure. For best results, limit your work area to smaller sections of approximately 25 square feet. Allow detergent to remain on surface 1-3 minutes. Do not allow detergent to dry on surface. Rinse at high pressure in a sweeping motion keeping the spray nozzle approximately 3-6 inches from the cleaning surface. Always clean from top to bottom and from left to right. For removing extremely stubborn stains, use Kärcher Rotating Nozzle Spray Wand.

Cars, Boats & Motorcycles (with or without detergent)

Pre-rinse vehicle with fresh water. If using Kärcher All Purpose and Vehicle Wash, place detergent suction tube directly into cleaning solution and apply to surface at low pressure. For best results, clean one side of vehicle at a time and always apply detergent from bottom to top, do not allow detergent to dry on surface. Rinse at high pressure in a sweeping motion keeping the spray nozzle approximately 6-8 inches from the cleaning surface (distance should increase when rinsing pin-striping or other sensitive surfaces). Always clean from top to bottom and from left to right. For best results, wipe surface dry with a chamois or soft dry cloth.

Caution: *Do not use rotating nozzle spray wand on vehicles as it may cause damage.*

Barbecue Grills, Outdoor Power Equipment & Gardening Tools (with or without detergent)

Pre-rinse cleaning surface with fresh water. If using Kärcher All Purpose and Vehicle Wash or Heavy Duty Degreaser (*Canada: Pressure Wash or Degreaser*), place detergent suction tube directly into cleaning solution and apply detergent at low pressure. Allow detergent to remain on surface 1-3 minutes. Do not allow detergent to dry on surface. Rinse at high pressure keeping the spray nozzle approximately 3-6 inches from the cleaning surface. For removing extremely stubborn dirt, it may be necessary to move the spray nozzle even closer to the surface for greater dirt cutting action. To remove caked on mud from garbage cans, lawn mower blades, wheel barrels or other non-sensitive metal surfaces, you may want to use the Kärcher Rotating Nozzle Spray Wand.

Caution: *Do not use rotating nozzle spray wand on cloth, plastic or other sensitive surfaces as it may cause damage.*

Patio & Lawn Furniture (with or without detergent)

Pre-rinse furniture and surrounding area with fresh water. If using Kärcher All Purpose and Vehicle Wash (*Canada: Pressure Wash*), place detergent suction tube directly into cleaning solution and apply to surface at low pressure. Allow Kärcher detergent to remain on surface 1-3 minutes. Do not allow detergent to dry on surface. If needed use special Wash Brush Attachment to remove stubborn dirt. Rinse at high pressure in a sweeping motion keeping the spray nozzle approximately 3-6 inches from the cleaning surface. For best results, clean from top to bottom and from left to right.

Caution: *Do not use rotating nozzle spray wand on patio or lawn furniture as it may cause damage.*

Recommendations

- Before cleaning any surface an inconspicuous area should be cleaned to test spray pattern and distance for maximum cleaning results.
- If painted surfaces are peeling or chipping, use extreme caution as pressure washer may remove the loose paint from the surface.
- When using on surfaces which might come in contact with food, flush surfaces with plenty of drinking water.

OPTIONAL CLEANING ACCESSORIES

Optional cleaning accessories are available to further enhance your cleaning capabilities.

- Wash Brush
- Underbody Wand
- Extension Wand
- Extension Hose
- Hose Reel
- Water Siphon Kit

TROUBLESHOOTING

Please remove the spark plug cable to prevent accidental ignition of the engine before making any repair.

Engine will not start.

- No gasoline.
 - Fill gas tank.
- Low oil level
 - Add oil.
- Engine is not primed.
 - Push primer ball three times.
- Engine throttle is not in correct position.
 - Position the throttle to "FAST".
- Pressure built up in the high pressure washer.
 - Squeeze the trigger to release the pressure.

For additional engine problems refer to the engine owners manual.

12

Unit does not reach high pressure.

- Diameter of garden hose is too small.
 - Replace with a 3/4 inch garden hose.
- Water supply is restricted.
 - Check garden hose for kinks, leaks and blockage.
- Not enough inlet water supply.
 - Open water source full force.
- Water inlet filter is clogged.
 - Remove filter and rinse out in warm water.
- Spray wand is in low pressure position.
 - Turn spray wand tip to high pressure position.

Output pressure varies high and low.

- Not enough inlet water supply.
 - Turn water on full force. Check garden hose for kinks, leaks or blockage.
- Pump is sucking air.
 - Check that hoses and fittings are air tight. Turn off machine and purge pump by squeezing trigger gun until a steady flow of water emerges through the nozzle.
- Water inlet filter is clogged.
 - Remove filter and rinse out in warm water.
- Spray nozzle is obstructed.
 - Blow out or remove debris with a fine needle.
- Calcified gun, hose or spray wand.
 - Run distilled vinegar through detergent suction tube.

No detergent.

- Detergent suction tube not properly connected to the machine.
 - Check connection.
- Detergent is too thick.
 - Dilute detergent. For best results, use Kärcher detergent.
- Detergent filter valve is at lowest setting.
 - Set detergent filter valve to a higher setting.
- Filter on detergent suction tube is clogged.
 - Run warm water through filter to remove debris.
- Damaged or clogged detergent suction tube.
 - Remove obstruction or replace detergent suction tube.
- Spray wand is in high pressure position.
 - Turn spray wand tip to low pressure position.
- Spray nozzle is obstructed.
 - Blow out or remove debris with fine needle.

TROUBLESHOOTING – *continued*

Garden hose connection leaks.

- Loose fittings.
 - Tighten fittings.
- Missing/worn rubber washer.
 - Insert new washer.

Spray wand leaks.

- Spray wand not properly attached.
 - Insert the spray wand into the trigger gun. Carefully press in against the spring tension and twist into the locked position.
- Broken o-ring or plastic insert.
 - Call Kärcher customer service hotline and order repair kit

Pump is noisy.

- Pump is sucking air.
 - Check that hoses and fittings are air tight. Turn off machine and purge pump by squeezing trigger gun until a steady flow of water emerges through the nozzle.

Water leaks from pump.

- Loose fittings.
 - Check that all fittings are tight.
- Water seals are damaged or worn.
 - Call service center.
- Thermal protection device is activated.
 - Thermal protection device will auto reset.

Oil Drip.

- Oil seals are damaged or worn.
 - Call service center.

If you encounter any additional difficulties not listed, please call our customer support for help.

WARRANTY USA

See enclosed warranty card.

WARRANTY CDN

Kärcher Canada Inc. warrants to the original owner that this product shall be free from defects in material and workmanship for **two years** from the date of its original purchase. If such a defect appears during the warranty period, upon presentation of proof of purchase, Kärcher Canada Inc. will repair or replace (at its option) your product without charge.

This warranty does not cover accidental damage, unreasonable use, normal wear and tear, loss of use or other consequential damages, nor does it cover repairs made or attempted by unauthorized persons.

Trigger gun, hose, spray wands and other accessories are warranted for **3 months**. Please note that no returns will be accepted without prior authorization from our customer service department.

It is the owner's responsibility to file claims for damage caused by public transportation carriers directly with the carrier concerned.

Kärcher Customer Support USA

Call: **1-800-537-4129** for help
or visit our website:
www.karcher-usa.com

Kärcher Customer Service CDN

Call: **1-800-465-4980** for help
or visit our website:
www.karcher.ca

Manual del Operador

Generalidades	14
Precauciones	15
Instrucciones de Ensamblaje	16
Instrucciones de Operación	17
Uso de los Accesorios	18
Trabajo con Detergentes	19
Tomando un descanso	20
Preparación para el Invierno y Almacenaje de Largo Plazo	21
Sugerencias de Limpieza	22-23
Accesorios de Limpieza Opcionales	23
Localización de Fallas Mecánicas	24-25

14

Especificaciones

Presión de operación	2000 PSI
Volumen de agua	2 GPM
Aspiración de detergent	0.13 – 0.18 GPM
Motor	4 HP Tecumseh LV 148
Part No.	1.133-601
Serial No.	_____

Kärcher En USA

llame al: **1-800-537-4129**
o visite nuestro sitio web:
www.karcher-usa.com

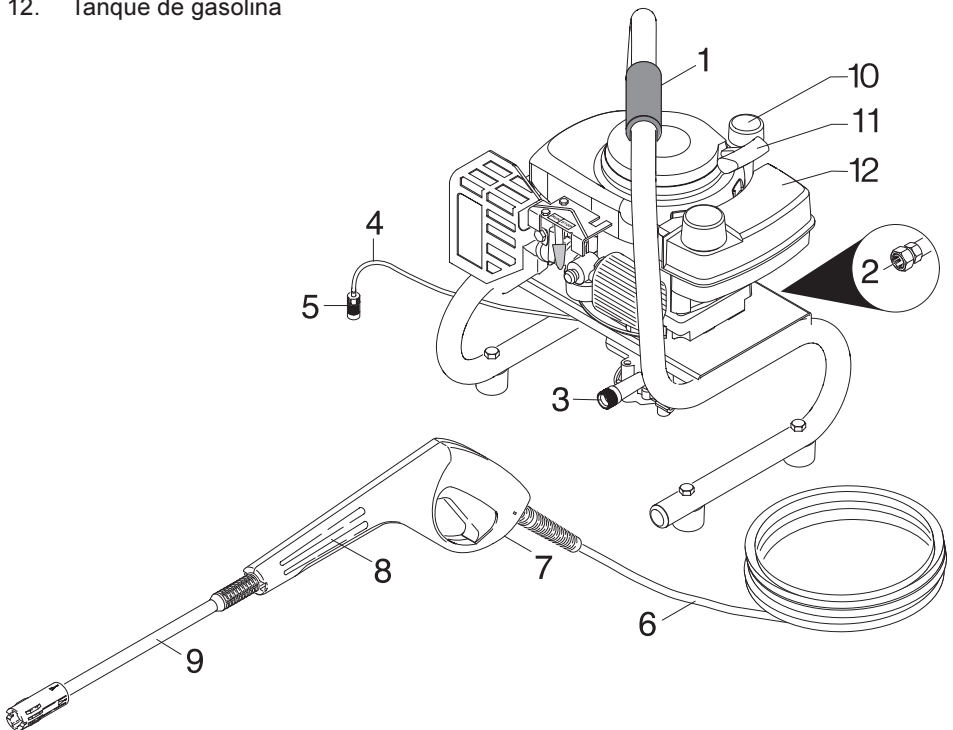
Kärcher En Mexico

llame al: **01-800-024-13-13**
o visite nuestro sitio web:
www.karcher.com.mx

GENERALIDADES DEL MODELO G 2000 QT

Artículo Descripción

1. Agarradera
2. Entrada de agua con conexión para manguera de jardín y filtro
3. Salida de alta presión
4. Tubo de succión para detergente
5. Filtro para el detergente
6. Manguera de alta presión
7. Seguro del gatillo de la pistola
8. Gatillo de la pistola
9. Tubo aplicador (de presión alta y baja)
10. Tapón para llenado de aceite
11. Arrancador
12. Tanque de gasolina



PRECAUCIÓN

- Siga las instrucciones de mantenimiento especificadas en el manual.
- Esta máquina ha sido diseñada para utilizarse con detergente de limpieza suministrado o recomendado por el fabricante. La utilización de otros detergentes puede afectar el funcionamiento de la máquina e invalidar la garantía.

PRECAUCIONES IMPORTANTES

Advertencias de Seguridad

Cuando utilice esta máquina, siempre debe seguir estas precauciones básicas

- Lea todas las instrucciones antes de utilizar la máquina.
- ¡Peligro de incendio! No agregue combustible con el motor en marcha. No opere la máquina si se derramó combustible. En lugar de eso, mueva la máquina a otra ubicación y evite la generación de chispas.
- Opere y agregue combustible en un área bien ventilada, sin aparatos que tengan un piloto o llama abierta como calentadores de agua, calderas, etc.
- Los chorros de alta presión pueden ser peligrosos si no se emplean adecuadamente. El chorro no debe ser dirigido hacia personas, animales, aparatos eléctricos o hacia la misma máquina.
- Utilice lentes de seguridad.
- No use ácidos, alcalinos, solventes o cualquier otro material inflamable en esta máquina. Estos productos pueden ocasionar lesiones físicas al operador y daños irreversibles a la máquina.
- La máquina tiene superficies calientes, que pueden provocar quemaduras. Opere la unidad en un ambiente seguro y lejos de los niños.
- No permita que la manguera de alta presión entre en contacto con la protección del amortiguador.
- No deje funcionando la máquina sin ponerle atención.
- Aprenda cómo apagar la máquina y liberar la presión rápidamente. Familiarícese extensamente con los controles.
- Manténgase alerta - observe lo que esté haciendo.
- No opere la máquina cuando se encuentre cansado o bajo la influencia de alcohol o drogas.
- No se pare sobre superficies inestables. Párese siempre con ambos pies balanceados.

- No incline la máquina hacia los lados.
- El seguro de la pistola IMPIDE que el gatillo se accione accidentalmente. Este dispositivo de seguridad NO bloquea el gatillo en la posición de encendido.
- Nunca toque las superficies calientes; ni permita que los accesorios entren en contacto con superficies calientes.
- Nunca la opere en espacios cerrados. Los vapores del escape son peligrosos.
- Nunca la opere cerca de servicios públicos con llamas abiertas.
- Nunca opere la máquina lavadora a presión sin abrir la llave de agua.
- Nunca utilice agua caliente.

Suministro de Agua (Solamente Agua Fría)

- La manguera de agua debe tener un diámetro mínimo de 5/8 de pulgada.
- La presión de flujo del agua no debe caer por debajo de 2.5 GPM (galones por minuto).
- La presión de flujo puede determinarse haciendo correr el agua durante un minuto hacia un recipiente vacío de 5 galones de capacidad.
- La temperatura del agua no debe exceder de 104°F/40°C.
- Nunca utilice la máquina lavadora a presión para lanzar agua contaminada con solventes, por ejemplo, thinner, gasolina, aceite, etc.
- Evite que entre basura a la máquina utilizando siempre una fuente de agua limpia.

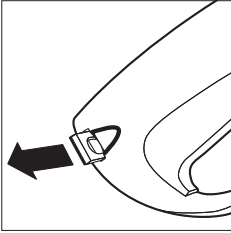
Recomendamos encarecidamente que esta lavadora de alta presión no se deje funcionando por periodos de 5 minutos o mayores, sin oprimir el gatillo de la pistola.

Esta lavadora de alta presión Kärcher está equipada con una protección térmica para prolongar la vida de la lavadora. Dicha protección se activará automáticamente al llegar a una temperatura elevada predeterminada, expulsando agua caliente antes de reiniciarse. Esto asegura que no se dañe la bomba.

INSTRUCCIONES DE ENSAMBLAJE

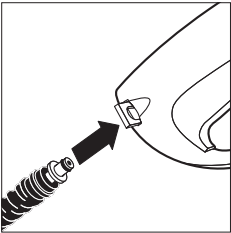
Paso 1

Tire del seguro corredizo en el costado derecho del mango del gatillo de la pistola.



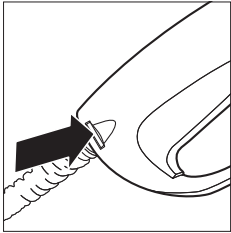
Paso 2

Coloque el extremo pequeño de la manguera de alta presión en su lugar.



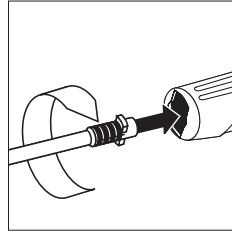
Paso 3

Empuje el seguro corredizo de vuelta en el mango del gatillo de la pistola para asegurar la manguera en su lugar.



Paso 4

Inserte la lanza con boquilla que usted elija en el cañón de la pistola. Presiónelo contra la tensión del resorte y gírelo para engancharlo en posición.



INSTRUCCIONES DE OPERACIÓN

¡Importante!

No utilice la máquina con el nivel de aceite bajo o muy alto, porque esto puede provocar daños a la máquina. Si tiene más preguntas acerca de la máquina, refiérase al manual del operador de la máquina, incluido en la unidad.

Paso 1

Revise el nivel del aceite.

Cuando revise el nivel de aceite, asegúrese que la máquina esté nivelada. (Refiérase al manual de operación de la máquina para ver los grados, de acuerdo con las estaciones del año.)

Paso 2

Llene el tanque de gasolina con gasolina sin plomo.

No utilice gasolina con plomo.

Paso 3

Conecte la manguera de alta presión a la salida de la unidad de alta presión.

Paso 4

Conecte la manguera de jardín a la entrada de agua de la unidad.

Paso 5

Conecte la manguera de jardín a la toma de agua fría y abra completamente la llave de agua.

Nunca utilice agua caliente.

Paso 6

Oprima el gatillo de la pistola para eliminar el aire atrapado y espere a que salga un flujo continuo de agua por la boquilla.

Paso 7

Deslice el control del acelerador a la posición de fast (rápido).

Paso 8

Luego oprima la bola del cebador tres veces. Espere 3 segundos entre cada apretón.

Nota: en clima frío oprima 5 veces.

Paso 9

Jale de la manija del arrancador. Si la máquina no enciende después de tres tirones, apriete el gatillo de la pistola para eliminar la presión y repita este paso.

USO DE LOS ACCESORIOS

Tubo aplicador (de presión alta y baja)

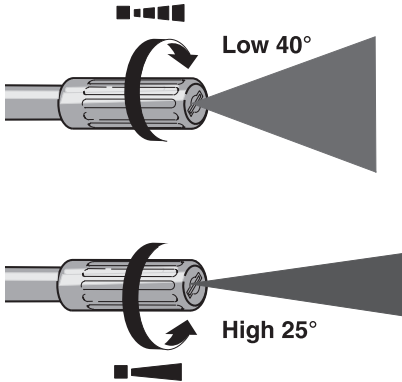
El tubo aplicador de presión alta y baja permite regular la presión para el lavado. Para lavar a presión máxima, girar el anillo regulador hacia el símbolo (■◀).

Para aplicar detergente, girar el anillo regulador al símbolo de presión baja (■◻◻◻).

PRECAUCIÓN.

PARA EVITAR LESIONES SERIAS, NUNCA APUNTE LA BOQUILLA HACIA USTED MISMO, OTRAS PERSONAS O ANIMALES.

Para menos presión girar el anillo regulador del tubo aplicador a la posición (■◻◻◻).



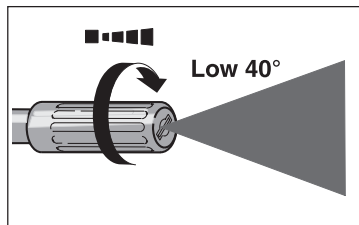
Para más presión girar el anillo regulador del tubo aplicador a la posición (■◀).

TRABAJO CON DETERGENTES

Las lavadoras de presión Kärcher operan con dos presiones. La presión alta sirve para lavar, pero no para aplicar detergentes, éstos se aplican con presión baja.

Paso 1

Luego gire el anillo regulador de la boquilla a la posición de presión baja.



Paso 2

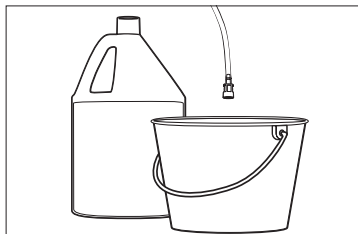
Ajuste el extremo con filtro del tubo de detergente para cobertura ligera (- / 0.13 gpm) o máxima (+ / 0.18 gpm).

20



Paso 3

Llene el recipiente con detergente Kärcher. Coloque el extremo con filtro del tubo de succión de detergente dentro del recipiente.



Paso 4

Con el motor en marcha, oprima el gatillo de la pistola para hacer funcionar la máquina: el detergente líquido es aspirado hacia la máquina y se mezcla con el agua. Aplique el detergente al área de trabajo. No permita que el detergente se seque sobre la superficie.

Para obtener mejores resultados vea las **Sugerencias de Limpieza en las páginas 22 y 23**, con información específica para saber cómo limpiar diferentes superficies.

Siempre utilice detergentes Kärcher para obtener mejores resultados

Los detergentes biodegradables Kärcher se formulan especialmente para proteger el medio ambiente y su máquina lavadora de presión. Su fórmula especial no tapa el filtro del tubo de succión y protegerá las partes internas de su máquina lavadora a presión por más tiempo. Para obtener los Detergentes Kärcher, pregunte a su distribuidor o llame al número:

Se encuentran disponibles los siguientes detergentes Kärcher:

- Jabón para automóviles
- Desengrasante
- Limpiador para todo uso
- Jabón para casas
- Jabón para cubiertas



PRECAUCIÓN

Nunca utilice:

- Productos blanqueadores, con cloro y otros productos químicos corrosivos
- Líquidos que contengan solventes (por ejemplo, thinner, gasolina, aceites)
- Productos de fosfato de trisodio
- Productos de amoníaco
- Productos ácidos

Estos productos químicos dañarán la máquina y la superficie a limpiar.

DESCONEXIÓN Y LIMPIEZA

Paso 1

Quite el tubo de succión de detergente del recipiente y colóquelo en un galón de agua limpia. aspire el agua a baja presión por un minuto.

Paso 2

Mueva el acelerador hacia abajo para detener la máquina.

Paso 3

Cierre el suministro de agua.

Paso 4

Oprima el gatillo de la pistola para liberar la presión del agua.

Paso 5

Desconecte la manguera de jardín de la entrada de agua de la máquina.

Paso 6

Desconecte la manguera de alta presión de la salida de alta presión.

Paso 7

Enganche el seguro del gatillo.

TOMANDO UN DESCANSO ...DE 5 MINUTOS O MÁS

Paso 1

Mueva el acelerador hacia abajo para detener la máquina.

Paso 2

Oprima el gatillo de la pistola para liberar la presión del agua.

Paso 3

Enganche el seguro del gatillo.

MAINTENANCE INSTRUCTIONS

Cleaning the water inlet filter

- Pull out the water inlet filter with flat-nose pliers and rinse filter in warm water.

Cleaning the detergent filter

- Pull out the detergent suction tube and rinse filter in warm water.

PREPARACIÓN PARA EL INVIERNO Y ALMACENAJE DE LARGO PLAZO

1. Desconecte todas las conexiones de agua.
2. Arranque la máquina por unos cuantos segundos hasta que salga el agua que haya quedado en la bomba. Apáguela inmediatamente.
3. Drene la gasolina y el aceite del motor.
4. No permita que la manguera de alta presión se tuerza.
5. Guarde la máquina y los accesorios en un cuarto en donde la temperatura no baje al punto de congelación.

21

Precaución:

De no seguir las instrucciones previas puede causar daño al ensamblaje de la bomba y los accesorios.

Limpieza de Cubiertas

(con o sin detergente)

Pre-enjuague la cubierta y el área circundante con agua limpia. Si utiliza el Jabón para Cubiertas Kärcher, coloque el tubo de succión de detergente directamente en la solución limpiadora y aplíquela a la superficie a baja presión. Para obtener mejores resultados, limite su área de trabajo a secciones pequeñas de aproximadamente 25 pies cuadrados (3 m²). Permita que el Jabón para Cubiertas Kärcher permanezca sobre la superficie de 1 a 3 minutos. No permita que el detergente se seque sobre la superficie. Enjuague a alta presión con un movimiento amplio de barrido manteniendo la boquilla a una distancia aproximada de 3 a 6 pulgadas (7 a 15 cm) de la superficie a limpiar. Limpie siempre de arriba hacia abajo y de izquierda a derecha. Cuando prosiga hacia una sección nueva de la superficie a limpiar, asegúrese de empalmar sobre la sección previa para eliminar marcas y asegurar una limpieza más uniforme.

Precaución: No utilice la boquilla Dirtblaster® sobre superficies de madera, ya que puede ocasionar daños.

Flancos de la Casa

(con o sin detergente)

Pre-enjuague la superficie a limpiar con agua limpia. Si utiliza el Jabón para Casas Kärcher, coloque el tubo de succión de detergente directamente en la solución limpiadora y aplíquela a la superficie a baja presión (para obtener mejores resultados, limite su área de trabajo a secciones de aproximadamente 6 pies (1.8 m) y aplique siempre el detergente de abajo hacia arriba). Permita que el Jabón para Casas Kärcher permanezca sobre la superficie de 1 a 3 minutos. No permita que el detergente se seque sobre la superficie, si parece que la superficie se está secando, simplemente mójela con agua limpia. Enjuague a alta presión de arriba hacia abajo con un movimiento de barrido uniforme, manteniendo la boquilla a una distancia aproximada de 6 pulgadas (15 cm) de la superficie a limpiar.

Precaución: No utilice la boquilla Dirtblaster® sobre superficies de madera, ya que puede ocasionar daños.

Patios de Cemento, Ladrillo y Piedra

(con o sin detergente)

Pre-enjuague la superficie a limpiar con agua limpia. Si utiliza el Limpiador para Todo Uso Kärcher, coloque el tubo de succión de detergente directamente en la solución limpiadora y aplíquela a la superficie a baja presión. Para obtener mejores resultados, limite su área de trabajo a secciones pequeñas de aproximadamente 25 pies cuadrados (3 m²). Permita que el Limpiador para Todo Uso Kärcher permanezca sobre la superficie de 1 a 3 minutos. No permita que el detergente se seque sobre la superficie. Enjuague a alta presión con un movimiento de barrido manteniendo la boquilla a una distancia aproximada de 3 a 6 pulgadas (7 a 15 cm) de la superficie a limpiar. Limpie siempre de arriba hacia abajo y de izquierda a derecha. Para eliminar manchas muy persistentes, utilice la boquilla Dirtblaster® de Kärcher.

Automóviles, Botes y Motocicletas

(con o sin detergente)

Pre-enjuague el vehículo con agua limpia. Si utiliza el Jabón para Vehículos Kärcher, coloque el tubo de succión de detergente directamente en la solución limpiadora y aplíquela a la superficie a baja presión. Para obtener mejores resultados, limpie todo un lado del vehículo a la vez y aplique siempre el detergente de abajo hacia arriba. No permita que el detergente se seque sobre la superficie. Enjuague a alta presión con un movimiento de barrido manteniendo la boquilla a una distancia aproximada de 6 a 8 pulgadas (15 a 20 cm) de la superficie a limpiar (esta distancia debe aumentar cuando enjuague superficies que tienen rayas u otras superficies sensibles). Limpie siempre de arriba hacia abajo y de izquierda a derecha. Para obtener mejores resultados, seque la superficie con una gamuza o un paño suave y seco.

Precaución: No utilice la boquilla Dirtblaster® sobre superficies de madera, ya que puede ocasionar daños.

Parrillas para Carne, Equipo Motorizado para Exteriores y Herramientas de Jardinería

(con o sin detergente)

Pre-enjuague la superficie a limpiar con agua limpia. Si utiliza el Limpiador para Todo Uso Kärcher o el Desengrasante, coloque el tubo de succión de detergente directamente en la solución limpiadora y aplique el detergente a baja presión. Permita que el detergente Kärcher permanezca sobre la superficie de 1 a 3 minutos. No permita que el detergente se seque sobre la superficie. Enjuague a alta presión manteniendo la boquilla a una distancia aproximada de 3 a 6 pulgadas (7 a 15 cm) de la superficie a limpiar. Para eliminar suciedad muy persistente, puede ser necesario acercar aún más la boquilla a la superficie para lograr una acción cortante de grasa más eficiente. Para quitar muchas capas de lodo de botes de basura, hojas de cortadoras de pasto, barriles u otras superficies metálicas no sensibles, puede utilizar la boquilla Dirtblaster® de Kärcher. Precaución: No utilice la boquilla de rociado Dirtblaster® sobre superficies de tela, plástico u otras superficies sensibles, ya que puede ocasionar daños.

Muebles de Patio y Jardín

(con o sin detergente)

Pre-enjuague los muebles y el área circundante con agua limpia. Si utiliza el Limpiador para Todo Uso Kärcher, coloque el tubo de succión de detergente directamente en la solución limpiadora y aplíquela a la superficie a baja presión. Permita que el Limpiador para Todo Uso Kärcher permanezca sobre la superficie de 1 a 3 minutos. No permita que el detergente se seque sobre la superficie. Enjuague a alta presión con un movimiento de barrido manteniendo la boquilla a una distancia aproximada de 3 a 6 pulgadas (7 a 15 cm) de la superficie a limpiar. Para obtener mejores resultados, limpie de arriba hacia abajo y de izquierda a derecha.

Precaución: No utilice la boquilla de rociado Dirtblaster® sobre superficies de tela, plástico u otras superficies sensibles, ya que puede ocasionar daños.

Recomendaciones:

- Antes de limpiar cualquier superficie, debe limpiar una superficie oculta para probar el patrón de rociado y la distancia, para obtener resultados máximos de limpieza.
- Si la pintura de las superficies se encuentra levantada o cuarteada, exte-me las precauciones, ya que la máquina lavadora a presión puede desprender la pintura suelta de la superficie.

ACCESORIOS DE LIMPIEZA OPCIONALES

Se tienen disponibles accesorios de limpieza opcionales para mejorar aún más la capacidad de limpieza: Vea descripciones de los productos e instrucciones para ordenar en la forma de pedido de accesorios

- Boquilla Dirtblaster®
- Extensión de lanza de 80
- Cepillo de lavado giratorio
- Accesorio para lavado con chorro de arena
- Carrete para manguera
- Limpiador de tuberías de drenaje
- Extensión de manguera de 30 pies
- Bandeja para detergente

LOCALIZACION DE FALLAS MECANICAS

Desconecte la máquina de la fuente de poder antes de hacer cualquier reparación

El motor no arranca.

- **No hay gasolina.**
 - Llene el tanque de gasolina.
- **Sensor de nivel bajo de aceite activado.**
 - Agregue aceite.
- **El motor debe ser cebado.**
 - Deslice el control del acelerador a la posición de fast (rápido). Luego oprima la bola del cebador tres veces. Espere 3 segundos entre cada apretón.
Nota: en clima frío oprima 5 veces.
- **El acelerador del motor no está en la posición correcta.**
 - Coloque el acelerador en la posición "FAST" (rápido).
- **Se acumuló presión en la lavadora de alta presión.**
 - Oprima el gatillo para liberar la presión.

24

Si existen problemas adicionales del motor, vea el manual del propietario.

La máquina no alcanza alta presión

- **El diámetro de la manguera de jardín es demasiado pequeño.**
 - Reemplace con una manguera de jardín de 3/4 de pulgada.
- **La entrada de agua se encuentra restringida.**
 - Revise que la manguera de jardín no esté torcida, tenga fugas o esté obstruida.
- **No hay suficiente entrada de agua.**
 - Abra la llave de agua al máximo.
- **El filtro de entrada de agua está tapado.**
 - Quite el filtro y enjuáguelo con agua tibia.
- **La boquilla del tubo aplicador está graduada para presión baja.**
 - Girar el regulador de presión del tubo aplicador hacia la posición de presión alta..

La presión de salida varía de alta a baja.

- **No hay suficiente entrada de agua.**
 - Abra la llave de agua al máximo. Revise que la manguera de jardín no esté torcida, tenga fugas o esté obstruida.
- **La bomba está aspirando aire.**
 - Revise que las mangueras y conexiones no permitan la entrada de aire. Apague la máquina y ceba la bomba apretando el gatillo de la pistola hasta que salga un flujo continuo de agua de la boquilla.
- **El filtro de entrada de agua está tapado.**
 - Quite el filtro y enjuáguelo en agua tibia.
- **La boquilla de descarga está obstruida.**
 - Sople o quite el residuo con una aguja fina.
- **Calcificación de la pistola, manguera o lanza.**
 - Haga correr vinagre destilado a través del tubo de succión de detergente.

No hay detergente.

- **El tubo de succión de detergente no está conectado adecuadamente a la máquina.**
 - Revise la conexión.
- **El detergente está muy espeso.**
 - Diluya el detergente. Para obtener mejores resultados utilice el detergente Kärcher.
- **La válvula del filtro de detergente está en su posición más baja.**
 - Ajuste la válvula del filtro a una posición más alta.
- **El filtro del tubo de succión de detergente está tapado.**
 - Haga correr agua tibia a través del filtro para eliminar el residuo.
- **El tubo de succión de detergente está dañado o tapado.**
 - Quite la obstrucción o reemplace el tubo de succión de detergente.
- **La boquilla del tubo aplicador está graduada para presión baja.**
 - Dele vuelta al extremo del tubo aplicador hacia la posición de presión baja.
- **La boquilla de descarga está obstruida.**
 - Sople o elimine el residuo con una aguja fina.

La conexión de la manguera de jardín gotea.

- **Las uniones de conexión están flojas.**
 - Apriete las uniones de conexión.
- **Faltan las rondanas o están gastadas.**
 - Inserte rondanas nuevas.

La lanza o la extensión de la lanza gotea.

- **La lanza no está conectada adecuadamente.**
 - Inserte la lanza con boquilla que usted elija en el cañón de la pistola. Empuje cuidadosamente haciendo fuerza contra la tensión del resorte y dé vuelta a la lanza para asegurarla en posición.
- **El empaque „o-ring“ está roto.**
 - Llame a la línea de servicio a clientes de Kärcher y solicite un empaque „o-ring“.

La bomba hace mucho ruido.

- **La bomba está aspirando aire.**
 - Revise que las mangueras y uniones no permitan el paso de aire. Apague la máquina y cebe la bomba oprimiendo el gatillo de la pistola hasta que salga un flujo constante de agua por la boquilla.

Gotea agua de la bomba

(se permiten hasta 10 gotas por minuto).

- **Las piezas de conexión están sueltas.**
 - Revise que todas las piezas de conexión estén apretadas.
- **Los sellos de agua están dañados o gastados.**
 - Llame al centro de servicio.
- **El dispositivo de protección térmica está activado.**
 - El dispositivo de protección térmica se reinicia automáticamente.

Gotea aceite.

- **Los sellos de aceite están dañados o gastados.**
 - Llame al centro de servicio.

Si encuentra dificultades adicionales que no se hayan mencionado, favor de llamar al centro de servicio para recibir ayuda. Servicio de Atención al Cliente Kärcher en EE.UU.

Kärcher En USA

llame al: **1-800-537-4129**
o visite nuestro sitio web:
www.karcher-usa.com

Kärcher En Mexico

llame al: **01-800-024-13-13**
o visite nuestro sitio web:
www.karcher.com.mx

Nettoyeur haute pression - Manuel d'utilisation

Généralités	28
Précautions	29
Instructions d'assemblage	30
Mode d'emploi	31
Emploi des accessoires	32
Emploi de détergents	33
Arrêt de l'appareil et nettoyage	34
Pause	34
Remisage hivernal et entreposage à long terme	34
Conseils de nettoyage	35-36
Accessoires de nettoyage en option	36
Dépannage	37-38

26

Caractéristiques

Pression	2000 PSI
Débit d'eau	2 GPM
Aspiration de détergent	0.13 – 0.18 GPM
Moteur	4 HP Tecumseh LV 148
Part No.	1.133-601
Serial No.	_____

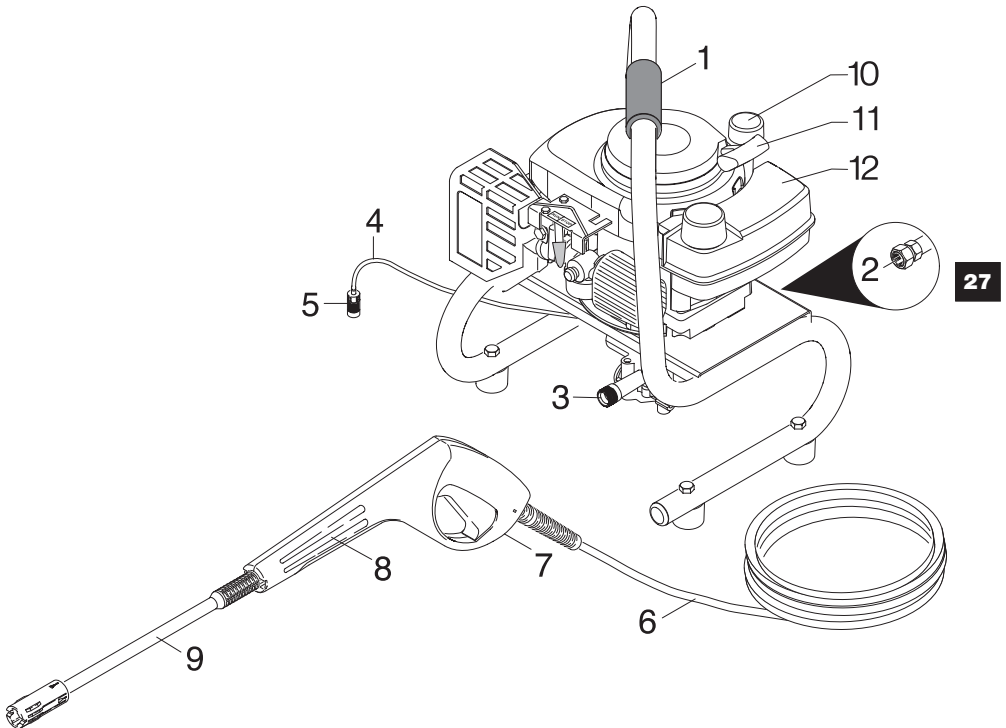
Kärcher Customer Service CDN

Aux Canada appelez : **1-800-465-4980**
ou visitez notre site web:
www.karcher.ca

Modèle G 2000 QT GÉNÉRALITÉS

PièceDescription

1. Manche
2. Prise d'eau avec connecteur pour boyau d'arrosage
3. Sortie haute pression
4. Tube de succion à détergent
5. Filtre à détergent
6. Boyau à haute pression
7. Verrou de sûreté du pistolet
8. Pistolet
9. Buse haute/basse pressions
10. Bouchon du réservoir à huile
11. Bouton-poussoir de démarrage
12. Réservoir à essence



Avertissement

- Bien suivre les directives sur l'entretien indiquées au manuel.
- Cet appareil a été conçu pour être utilisé avec le détergent fourni ou recommandé par le fabricant. L'utilisation de tout autre détergent peut affecter le fonctionnement de l'appareil et annuler la garantie.

PRÉCAUTIONS DE SÉCURITÉ

ATTENTION – Lors de l'utilisation de ce produit, les précautions de base doivent toujours être observées, y compris les suivantes :

ATTENTION – Risque d'injection ou de blessure - Ne pas décharger directement le courant sur les personnes.

- Bien lire le mode d'emploi avant d'utiliser ce produit.
- Danger d'incendie! Ne pas ajouter de l'essence lorsque le moteur est en marche. Ne pas faire fonctionner si de l'essence a été renversée. Changez plutôt l'appareil d'endroit et évitez de provoquer des étincelles.
- Manipulez et remplissez l'appareil d'essence dans un endroit bien aéré, sans dispositif doté d'un pilote ou d'une flamme nue tel qu'une chaudière, un chauffe-eau, etc.
- Les jets à haute pression peuvent être dangereux s'ils sont mal utilisés. Le jet ne doit pas être dirigé vers une personne, un animal, un appareil électrique ou vers l'appareil lui-même.
- Portez des lunettes protectrices.
- N'employez pas d'acide, de solvants ou autres matériaux inflammables dans cet appareil. Ceux-ci pourraient causer des blessures physiques à son utilisateur et endommager l'appareil de façon irréversible.
- Les surfaces de l'appareil peuvent devenir chaudes et causer des brûlures. Manipulez l'appareil dans un environnement sécuritaire et loin des enfants.
- Ne laissez pas le boyau haute pression entrer en contact avec le garde du tuyau d'échappement.
- Ne laissez pas l'appareil fonctionner sans surveillance.
- Apprenez à arrêter l'appareil et à relâcher la pression de façon rapide. Familiarisez-vous à fond avec les commandes.
- Demeurez alerte – soyez attentif à vos gestes.

- Ne pas utiliser l'appareil si vous éprouvez de la fatigue ou si vous êtes sous l'influence de l'alcool ou des drogues.
- Ne vous tenez pas sur une surface instable. Tenez-vous de façon à ce que vos deux pieds soient en équilibre en tout temps.
- Évitez de basculer l'appareil sur ses flancs.
- Le verrou de sûreté EMPÊCHE le pistolet de s'engager accidentellement. Ce dispositif de sécurité NE VERROUILLE PAS le pistolet en position marche.
- remplir d'essence lorsque le moteur est en marche ou faire fonctionner si de l'essence a été renversée.
- Ne jamais toucher aux surfaces lorsqu'elles sont chaudes ou laisser les accessoires entrer en contact avec ces dernières.
- Ne jamais employer dans un espace clos puisque les vapeurs d'échappement sont dangereuses.
- Ne jamais employer près des flammes nues.
- Ne jamais employer le Nettoyeur à pression lorsque le robinet d'eau est fermé.
- Ne jamais employer d'eau chaude.

ALIMENTATION D'EAU (Eau froide seulement)

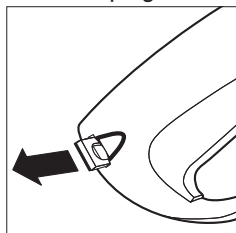
- Le boyau doit avoir un diamètre d'au moins 5/8 pouce (1,59 cm).
- Le débit de l'alimentation d'eau ne doit pas être inférieur à 9,45 lpm (2.5 GPM).
- Le débit peut être mesuré en laissant couler l'eau durant une minute dans un contenant de 18,9 litres (5 gallons).
- La température de l'eau ne doit pas excéder 40°C/104°F.
- N'aspirez jamais de l'eau contaminée par un solvant tel que diluant à peinture, essence, huile, etc.
- Utilisez toujours une eau propre afin de prévenir l'aspiration de débris.

Nous recommandons fortement de ne pas faire fonctionner ce nettoyeur à pression durant plus de 5 minutes si le pistolet n'est pas en fonction.

INSTRUCTIONS D'ASSEMBLAGE

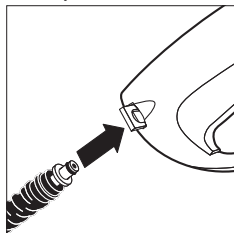
Etape 1

Retirez le verrou à glissière situé sur le côté droit de la poignée du pistolet..



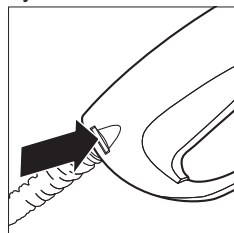
Etape 2

Insérez la plus petite extrémité du boyau à haute pression.



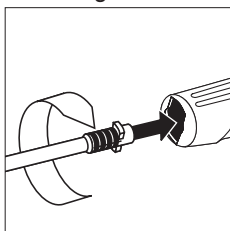
Etape 3

En pressant, remettez le verrou à glissière en place dans le pistolet pour bien fixer le boyau.



Etape 4

Insérez la lance de vaporisation dans le pistolet. Pressez contre le ressort de tension et tournez en position de verrouillage.



Important!

Ne démarrez pas le moteur si le niveau d'huile est trop haut ou trop bas. Ceci pourrait l'endommager.

Si vous avez d'autres questions concernant le moteur, veuillez consulter le manuel d'utilisati-on inclus avec l'appareil.

Étape 1

Vérifiez le niveau d'huile.

Assurez-vous que l'appareil est de niveau lorsque vous vérifiez l'huile. (Voir le manuel d'utilisation pour les calibres saisonniers.)

Étape 2

Remplissez le réservoir à essence avec de l'essence sans plomb.

N'utilisez pas d'essence au plomb.

Étape 3

Fixez le boyau à haute pression à la sortie haute pression de l'appareil.

30

Étape 4

Fixez le boyau d'arrosage à la prise d'eau de l'appareil.

Étape 5

Fixez le boyau d'arrosage au robinet d'eau froide et l'ouvrir à pleine capacité.

Ne jamais utiliser d'eau chaude.

Étape 6

Éliminez l'air en appuyant sur la gâchette du pistolet jusqu'à ce qu'un débit d'eau régulier s'écoule.

Étape 7

Faites passer la manette des gaz en position rapide.

Étape 8

Puis appuyez trois fois sur l'amorceur d'injection. Attendez 3 secondes entre chaque pression.

Remarque : Lorsqu'il fait froid, appuyez 5 fois.

Étape 9

Tirez la poignée du démarreur. Si le moteur ne démarre pas après 3 essais, appuyez sur la gâchette du pistolet pour évacuer la pression. Essayez de démarrer de nouveau.

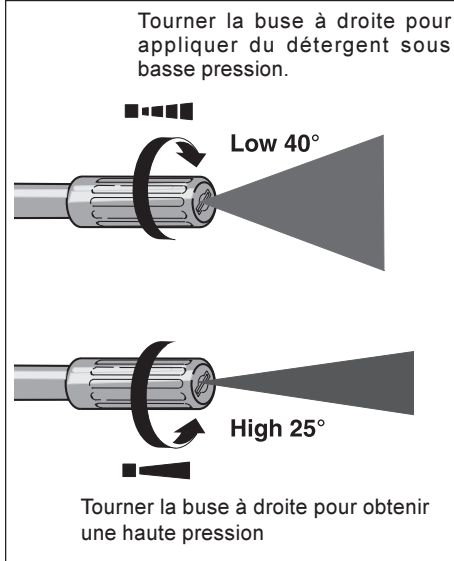
EMPLOI DES ACCESSOIRES

Buse haute/basse pressions

Cette lance comporte deux positions. Le réglage sur la position haute pression permet d'obtenir un jet puissant de 25° pour les nettoyages généraux alors que le réglage sur la position basse pression permet d'obtenir un jet plat plus large de 40° sous basse pression pour appliquer du détergent.

AVERTISSEMENT

POUR ÉVITER DES BLESSURES SÉRIEUSES, NE JAMAIS DIRIGER LA BUSE DE VAPORISATION VERS VOUS, VERS UNE AUTRE PERSONNE OU VERS UN ANIMAL.

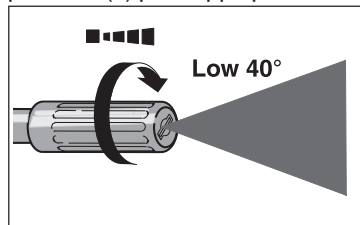


EMPLOI DE DÉTERGENTS

Les nettoyeurs à haute pression fonctionnent à deux niveaux de pressions. La position haute pression est employée pour le nettoyage et ne doit pas être utilisée pour l'emploi de détergent. Les détergents doivent être appliqués à basse pression seulement.

Étape 1

La buse doit être branché en position basse pression (-) pour appliquer des détergents.



Étape 2

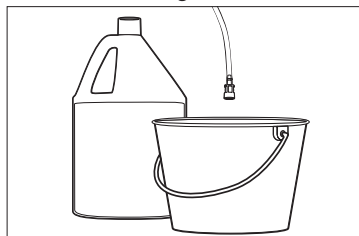
Ajustez le bout filtre du tube à détergent à la position « moins » (- / 0.13 gpm) ou « plus » (+ / 0.18 gpm), selon l'étendue de détergent désirée.

32



Étape 3

Remplissez un contenant avec le détergent Kärcher. Insérez le bout filtre du tube de succion de détergent dans le détergent.



Étape 4

Une fois le moteur en marche, pressez la gâchette pour faire fonctionner l'appareil : le détergent liquide est dirigé dans le module et est mélangé à l'eau. Appliquez le détergent sur la surface à nettoyer. Ne pas laisser sécher.

Pour de meilleurs résultats, voir la section **Conseils de nettoyage** aux pages 34 et 35 qui donne des conseils spécifiques pour le nettoyage de différents types de surfaces.

Pour de meilleurs résultats, utilisez toujours un détergent de marque Kärcher.

Les détergents biodégradables de marque Kärcher sont spécialement formulés pour protéger à la fois l'environnement et votre Nettoyeur à pression. Sa formule spéciale n'obstruera pas le filtre du tube de succion et protégera les pièces internes du Nettoyeur à pression pour une plus longue durée de vie. Pour vous procurer les détergents de marque Kärcher, demandez à votre détaillant ou appelez le :

Détergents de marque Kärcher disponibles :

- Presso-Net
- Nettoyant de terrasse et clôture de bois
- Dégraisseur
- Nettoyant de véhicule



Mise en garde
Ne jamais utiliser de :

- Javelisants, de produits à base de chlorure et autres produits chimiques corrosifs
- Liquides contenant des solvants (diluants à peinture, essence, huile, etc.)
- Produits à base de phosphate trisodique
- Produits à base d'ammoniaque
- Produits à base d'acide

Ces produits chimiques endommageront le module ainsi que la surface qui est nettoyée.

ARRÊT DE L'APPAREIL

Étape 1

Retirez le tube de succion de détergent du contenant et le placer dans un contenant de 3,78 litres d'eau fraîche. À basse pression, siphonnez l'eau durant une minute.

Étape 2

Abaissez le levier d'accélérateur afin d'arrêter le moteur.

Étape 3

Fermez le robinet d'eau.

Étape 4

Appuyez sur la gâchette pour évacuer la pression de l'eau.

Étape 5

Retirez le boyau d'arrosage de la prise d'eau du module.

Étape 6

Sortez le boyau à haute pression de la sortie haute pression du module.

Étape 7

Enclenchez le verrou de sûreté du pistolet.

PRENDRE UN PAUSE ... 5 MINUTES OU PLUS

Étape 1

Abaissez le levier d'accélérateur afin d'arrêter le moteur.

Étape 2

Appuyez sur la gâchette pour évacuer la pression de l'eau.

Étape 3

Enclenchez le verrou de sûreté du pistolet.

ENTRETIEN INDIQUÉES

- A l'aide d'une pince plate, extrayez le crible logé dans la prise d'eau de l'appareil puis nettoyez-la sous l'eau tiède du robinet.
- Du flexible servant à aspirer le détergent, débrancher le filtre puis nettoyez-la sous l'eau tiède du robinet.

REMISAGE HIVERNAL ET ENTREPOSAGE À LONG TERME

1. Défaites tous les branchements d'eau.
2. Démarrez l'appareil pour quelques secondes, jusqu'à ce que toute l'eau soit évacuée. Arrêtez l'appareil immédiatement.
3. Ne laissez pas le boyau à haute pression s'emmêler.
4. Rangez l'appareil et les accessoires dans un endroit à l'abri du gel.

Mise en garde : Si ces directives ne sont pas respectées, la pompe et les accessoires pourraient s'endommager.

Terrasses en Bois (avec ou sans détergent)

Rincez d'abord la terrasse et les surfaces avoisinantes à l'eau claire. Si vous employez le *détergent de terrasse et clôture de bois*, appliquez sur la surface à basse pression. Pour de meilleurs résultats, limitez votre surface de travail à de petites sections d'environ 2,3 mètres carrés (25 pi. ca.). Laissez reposer le *détergent de terrasse et clôture de bois* de 1 à 3 minutes; ne pas laisser sécher. Rincez à haute pression dans un long mouvement de va-et-vient en maintenant la buse de vaporisation à environ 7,5-15 cm (3-6 po.) de la surface. Nettoyez toujours de haut en bas et de gauche à droite. Lorsque vous entamez une nouvelle section, assurez-vous de chevaucher la section précédente afin d'éliminer les démarcations et d'assurer un résultat plus uniforme.

Précautions: *Ne pas utiliser la lance rotative sur des surfaces de bois parce qu'elle pourrait les endommager.*

34

Parements extérieurs (avec ou sans détergent)

Rincez d'abord la surface à l'eau claire. Si vous employez le *détergent presso-net*, appliquez sur la surface à basse pression (pour de meilleurs résultats, limitez votre surface de travail à des sections d'environ 2 mètres (6 pi.) et appliquez le détergent de bas en haut). Laissez reposer le *détergent presso-net* de 1 à 3 minutes. Ne pas laisser le détergent sécher sur la surface. Si la surface semble sécher, l'humidifier avec de l'eau claire. Rincez à haute pression de haut en bas dans un mouvement de va-et-vient régulier en gardant la buse de vaporisation à environ 15 cm (6 po.) de la surface.

Précautions : *Ne pas utiliser la lance rotative sur les parements parce qu'elle pourrait les endommager.*

Patios de ciment, de brique et de pierre

(avec ou sans détergent)

Rincez d'abord la surface à l'eau claire. Si vous employez *détergent presso-net* ou le *dégraisseur*, appliquez sur la surface à basse pression. Pour de meilleurs résultats, limitez votre surface de travail à de petites sections d'environ 2,3 mètres carrés (25 pi. ca.). Laissez reposer *détergent presso-net* ou le *dégraisseur* de 1 à 3 minutes. Ne pas laisser le détergent sécher sur la surface. Rincez à haute pression dans un mouvement de va-et-vient en gardant la buse de vaporisation à environ 7,5-15 cm (3-6 po.) de la surface. Toujours nettoyer de haut en bas et de gauche à droite. Pour enlever les taches très tenaces, employez la lance rotative.

Autos, bateaux et motocyclettes

(avec ou sans détergent)

Rincez d'abord le véhicule à l'eau claire. Si vous employez le *détergent de véhicule*, appliquez sur la surface à basse pression. Pour de meilleurs résultats, nettoyez un côté du véhicule à la fois et appliquez toujours le détergent de bas en haut sans le laisser sécher. Rincez à haute pression dans un mouvement de va-et-vient en gardant la buse de vaporisation à environ 15-20 cm. (6-8 po.) de la surface (augmentez la distance pour des surfaces fragiles). Nettoyez toujours de haut en bas et de gauche à droite. Pour de meilleurs résultats, essayez la surface avec un chamois ou un linge doux.

Précautions : *Ne pas utiliser la lance rotative sur les véhicules parce qu'elle pourrait les endommager.*

Grille de barbecue, outillage mécanique pour l'extérieur et outils de jardinage

(avec ou sans détergent)

Rincez d'abord la surface à nettoyer à l'eau claire. Si vous employez le *détergent presso-net* ou le *dégraisseur*, appliquez sur la surface à basse pression. Laissez reposer le détergent tout usage ou le dégraissant de 1 à 3 minutes; ne pas laisser sécher. Rincez à haute pression en maintenant la buse de vaporisation à environ 7,5-15 cm (3-6 po.) de la surface. Pour enlever la saleté tenace, il pourrait être utile de rapprocher la buse de vaporisation plus près de la surface pour une plus grande action nettoyant. Pour enlever la boue séchée sur les contenants à déchets, lames de tondeuses à gazon, brouettes ou autres surfaces non fragiles, vous pouvez employer la lance rotative.

Précautions : *Ne pas utiliser la lance rotative sur le tissu, le plastique ou autre surface fragile parce qu'elle pourrait les endommager.*

Mobilier de patio et de jardin (avec ou sans détergent)

Rincez d'abord le mobilier à l'eau claire. Si vous employez le *détergent presso-net*, appliquez sur la surface à basse pression. Laissez reposer le détergent tout usage de 1 à 3 minutes; ne pas laisser sécher. Rincez à haute pression dans un mouvement de va-et-vient en gardant la buse de vaporisation à environ 7,5 - 15 cm (3-6 po.) de la surface. Pour de meilleurs résultats, nettoyez de haut en bas et de gauche à droite.

Précautions: *Ne pas utiliser la lance rotative sur le mobilier de patio ou de jardin parce qu'elle pourrait les endommager.*

Recommandations

- Avant de nettoyer quelque surface que ce soit, en un endroit dissimulé, testez la vaporisation ainsi que la distance idéale pour un résultat de nettoyage optimal.
- Si les surfaces peintes s'écaillent, faites très attention car un nettoyeur à pression peut déloger la peinture aux endroits écaillés.

ACCESSOIRES DE NETTOYAGE EN OPTION

Des accessoires de nettoyage sont disponibles en option afin d'améliorer le rendements du nettoyage.

- Brosse de lavage
- Brosse de lavage rotative
- Lance de rallonge
- Lance de vaporisation pour dessous de châssis
- Nettoyeur pour tuyaux
- Boyau de succion d'eau
- Rallonge pour boyau de 7,5 m. (25 pi.)
- Nécessaire de sablage humide

Débranchez l'appareil avant d'effectuer toute réparation.

Le moteur ne démarre pas.

- Il n'y a pas d'essence.
 - Remplissez le réservoir.
- Détecteur de faible niveau d'huile activé.
 - Ajoutez de l'huile.
- Le moteur doit être amorcé.
 - Placez la manette des gaz en position rapide (Fast). Puis appuyez trois fois sur l'amorceur d'injection. Attendez 3 secondes entre chaque pression.
Remarque : Lorsqu'il fait froid, appuyez 5 fois.
- L'accélérateur n'est pas à la bonne position.
 - Mettez la manette des gaz sur «FAST».
- Il y a trop de pression dans l'appareil.
 - Pressez la gâchette pour évacuer la pression.

36

Si le moteur vous pose d'autres problèmes, consultez son manuel d'utilisation.

Le module n'atteint pas le niveau de haute pression.

- Le diamètre du boyau d'arrosage est trop petit.
 - Remplacez-le par un boyau d'arrosage d'un diamètre de 2 cm.
- Le débit d'eau est réduit.
 - Vérifiez si le boyau d'arrosage n'est pas emmêlé, s'il ne coule pas ou s'il n'est pas obstrué.
- Le débit d'eau est insuffisant.
 - Ouvrir le robinet à pleine capacité.
- Le filtre d'entrée d'eau est obstrué.
 - Retirez-le et rincez-le à l'eau tiède.
- La buse haute/basse pressions est à la position basse pression.
 - Tournez la buse haute/basse pressions à la position haute pression.

Le niveau de pression varie.

- Le débit d'eau à la prise n'est pas suffisant.
 - Ouvrir le robinet à pleine capacité. Vérifiez si le boyau d'arrosage n'est pas emmêlé, s'il ne coule pas ou s'il n'est pas obstrué.
- La pompe aspire de l'air.
 - Vérifiez l'étanchéité du boyau et des raccords. Fermez l'appareil et videz la pompe en pressant la gâchette du pistolet jusqu'à l'obtention d'un débit d'eau régulier.
- Le filtre de prise d'eau est obstrué.
 - Retirez-le et rincez-le à l'eau tiède.
- La buse est obstruée.
 - Soufflez dans la buse ou retirez les débris à l'aide d'une fine aiguille.
- Calcification du pistolet, du boyau ou de la lance de vapo-risation.
 - Faites couler du vinaigre distillé dans le tube de succion de détergent.

No détergent.

- Le tube de succion de détergent n'est pas bien fixé à l'appareil.
 - Vérifier l'ajustement.
- Le détergent est trop épais.
 - Diluez le détergent; pour de meilleurs résultats, utilisez un détergent de marque Kärcher.
- La valve du filtre à détergent est à la plus basse position.
 - Réglez la valve à détergent à la plus haute position.
- Le filtre du tube de succion de détergent est obstrué.
 - Faites couler de l'eau dans le filtre pour éliminer les débris.
- Le tube de succion de détergent est obstrué ou endommagé.
 - Dégagez ou remplacez le tube de succion de détergent.
- La buse haute/basse pressions est à la position haute pression.
 - Mettre la buse à la position basse pression.

DÉPANNAGE – Suite

- La buse est obstruée.
 - Soufflez dans la buse pour la dégager ou utilisez une fine aiguille.

Le raccord du boyau d'arrosage fuit.

- Les raccords sont lâches.
 - Resserrez les raccords.
- Il n'y a pas de joint de caoutchouc ou celui-ci est usé.
 - Mettre un nouveau joint de caoutchouc.

La lance de vaporisation ou la rallonge de la lance de vaporisation fuit.

- La buse de vaporisation fuit.
 - Insérez la buse dans la pistolet. Pressez avec soin contre le ressort et tournez pour bien la fixer.
- Le joint torique est brisé.
 - Appelez le service à la clientèle Kärcher et commandez un joint torique.

La pompe est bruyante.

- La pompe aspire de l'air.
 - Vérifiez que les boyaux et les raccords sont bien fixés. Arrêtez l'appareil et videz la pompe en appuyant sur la gâchette jusqu'à l'obtention d'un débit d'eau régulier.

L'eau s'écoule de la pompe

(un écoulement jusqu'à 10 gouttes à la minute est admissible).

- Les raccords sont mal fixés.
 - Vérifiez l'ajustement des raccords.
- Les joints sont usés ou endommagés.
 - Appelez le service d'assistance.
- Le dispositif de protection thermique est activé.
 - Le dispositif de protection thermique se réinitialisera automatiquement.

L'huile coule.

- Les joints sont usés ou endommagés.
 - Appelez le service d'assistance.

Si vous éprouvez d'autres difficultés qui ne sont pas énumérées dans cette liste, veuillez appeler notre centre de service.

Garantie CDN

Kärcher Canada Inc. garantit cet article à l'acheteur contre tout défaut de fabrication et de main-d'œuvre pour une période de **deux ans** suivant l'achat. Si une défectuosité survenait durant la période de garantie, Kärcher Canada Inc. sur présentation de la preuve d'achat, réparera ou remplacera cet article (selon sa décision) sans aucun frais.

Cette garantie n'inclut pas les dommages résultant d'un accident, d'une utilisation déraisonnable, de l'usure normale, de la perte d'usage ou autres dommages consécutifs, non plus que les réparations effectuées par des gens non-autorisés et les frais encourus par ceux-ci.

Les pistolets, les boyaux, les buses et les autres accessoires sont garantis pour **3 mois**.

Veuillez s'il vous plaît noter qu'aucun retour de marchandise ne sera accepté sans un numéro d'autorisation préalablement obtenu d'un préposé au service à la clientèle.

Le propriétaire de l'article doit présenter directement au transporteur public toute réclamation concernant des dommages causés par l'équipement ou le personnel du transporteur.

Service à la clientèle CDN

Appelez: **1-800-465-4980**
ou visitez: **www.karcher.ca**

