

PARTS MANUAL

Model

**EA190V
ENGINES**

PUB-EP
Rev. 10/10



Industrial Power Products

Robin America, Inc.

905 Telser Road • Lake Zurich, IL 60047 • Phone: 847-540-7300 • Fax: 847-438-5012
e-mail: sales@robinamerica.com • www.subarupower.com

© Copyright 2010 Robin America, Inc.

GROUP INDEX

Group Name	Page
CRANKCASE GROUP	4
CRANKSHAFT GROUP	8
INTAKE and EXHAUST GROUP	10
GOVERNOR GROUP	14
COOLING and STARTING GROUP	16
FUEL, LUBRICATION GROUP	18
ELECTRIC.....	22

FIG. 1 CRANKCASE GROUP

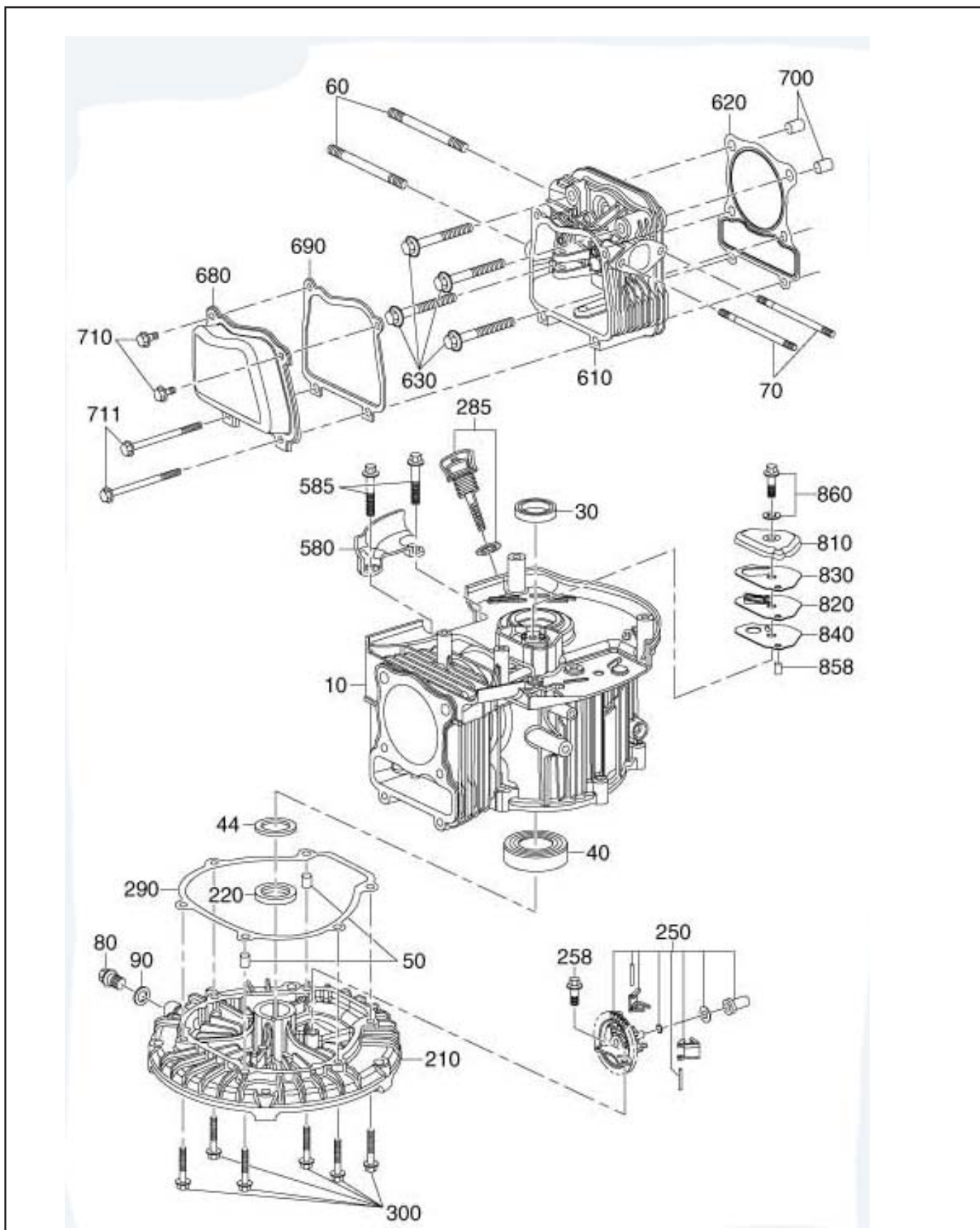


FIG. 2 CRANKSHAFT GROUP

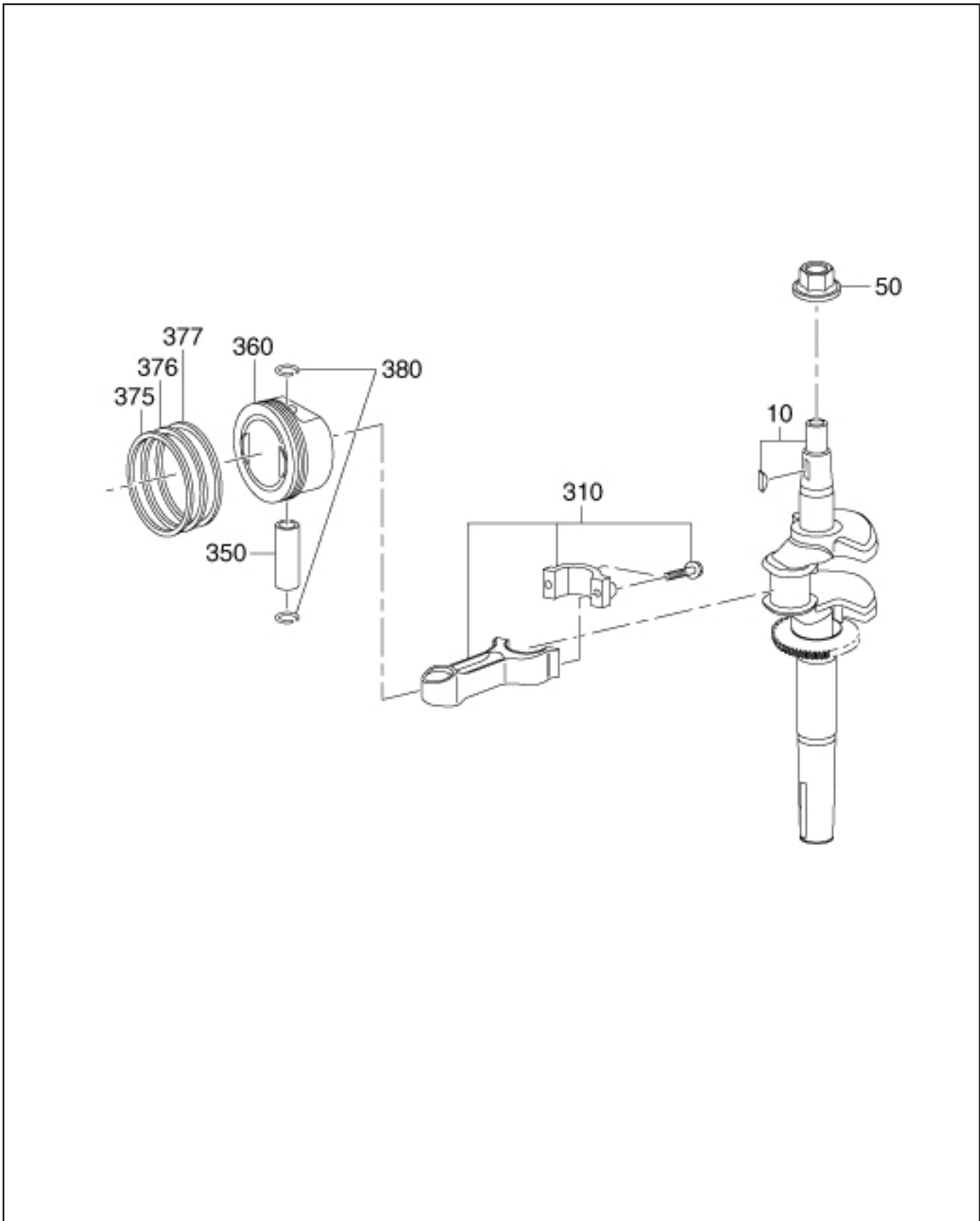


FIG. 3 INTAKE and EXHAUST GROUP

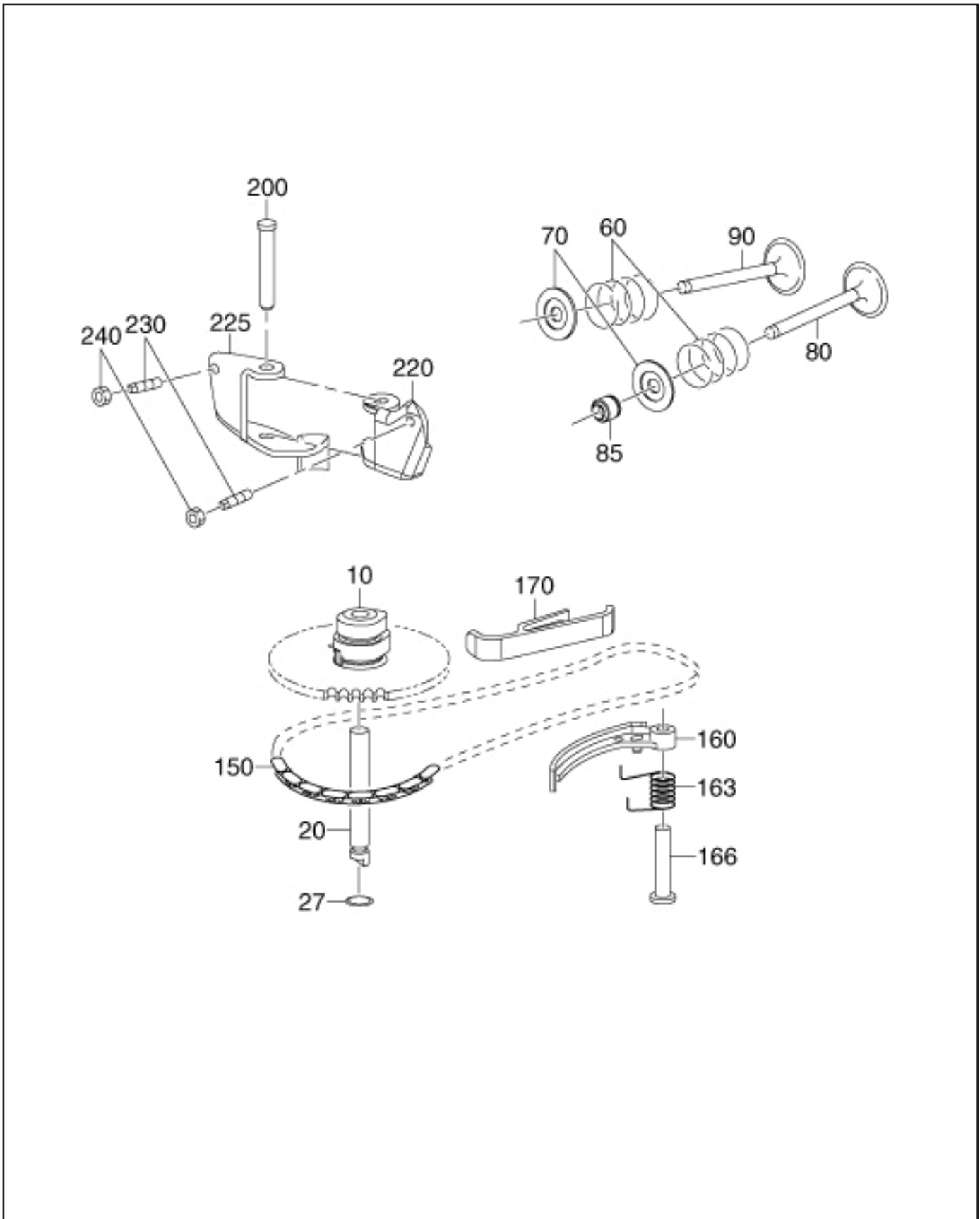


FIG. 3 INTAKE and EXHAUST GROUP

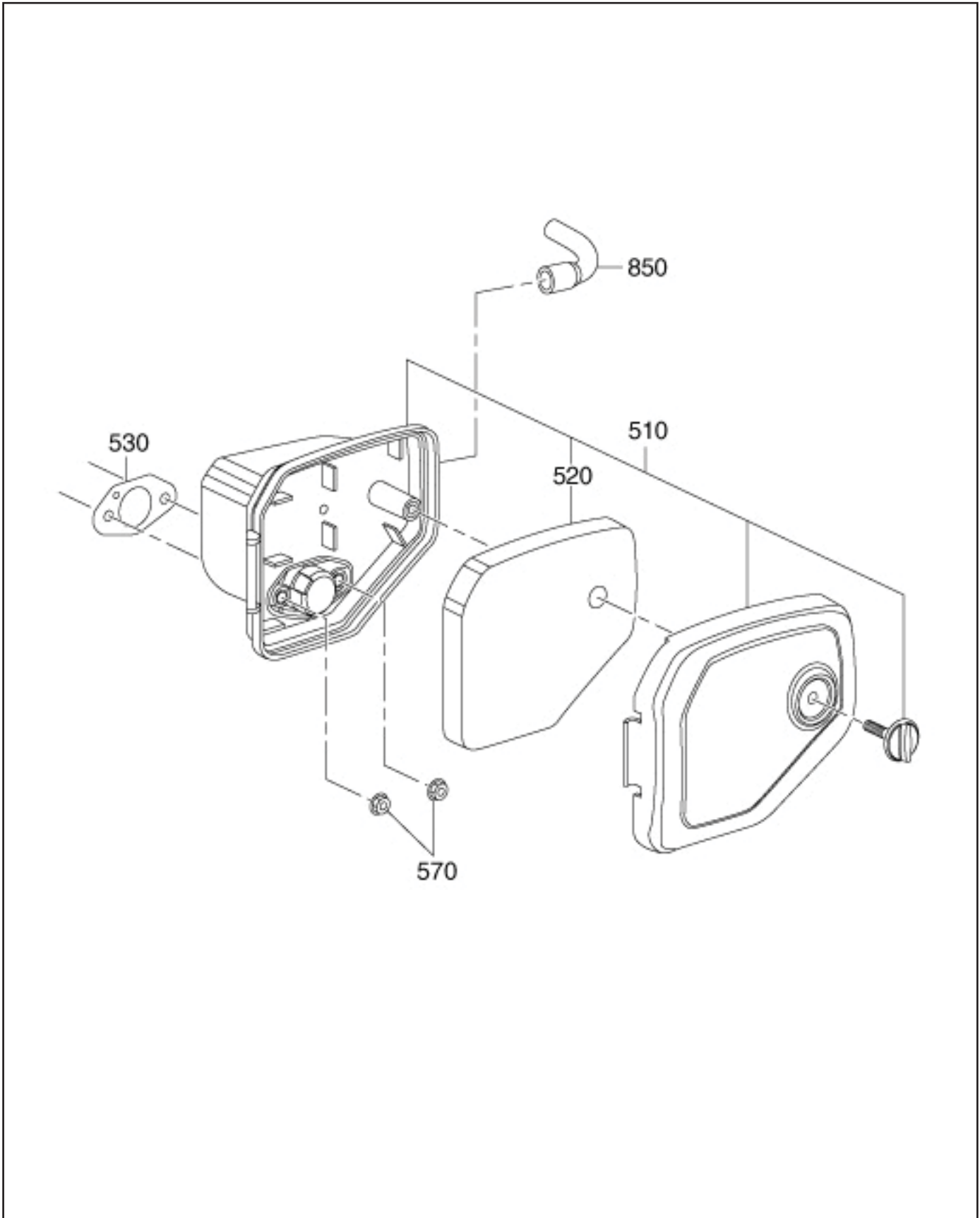


FIG. 3 INTAKE and EXHAUST GROUP

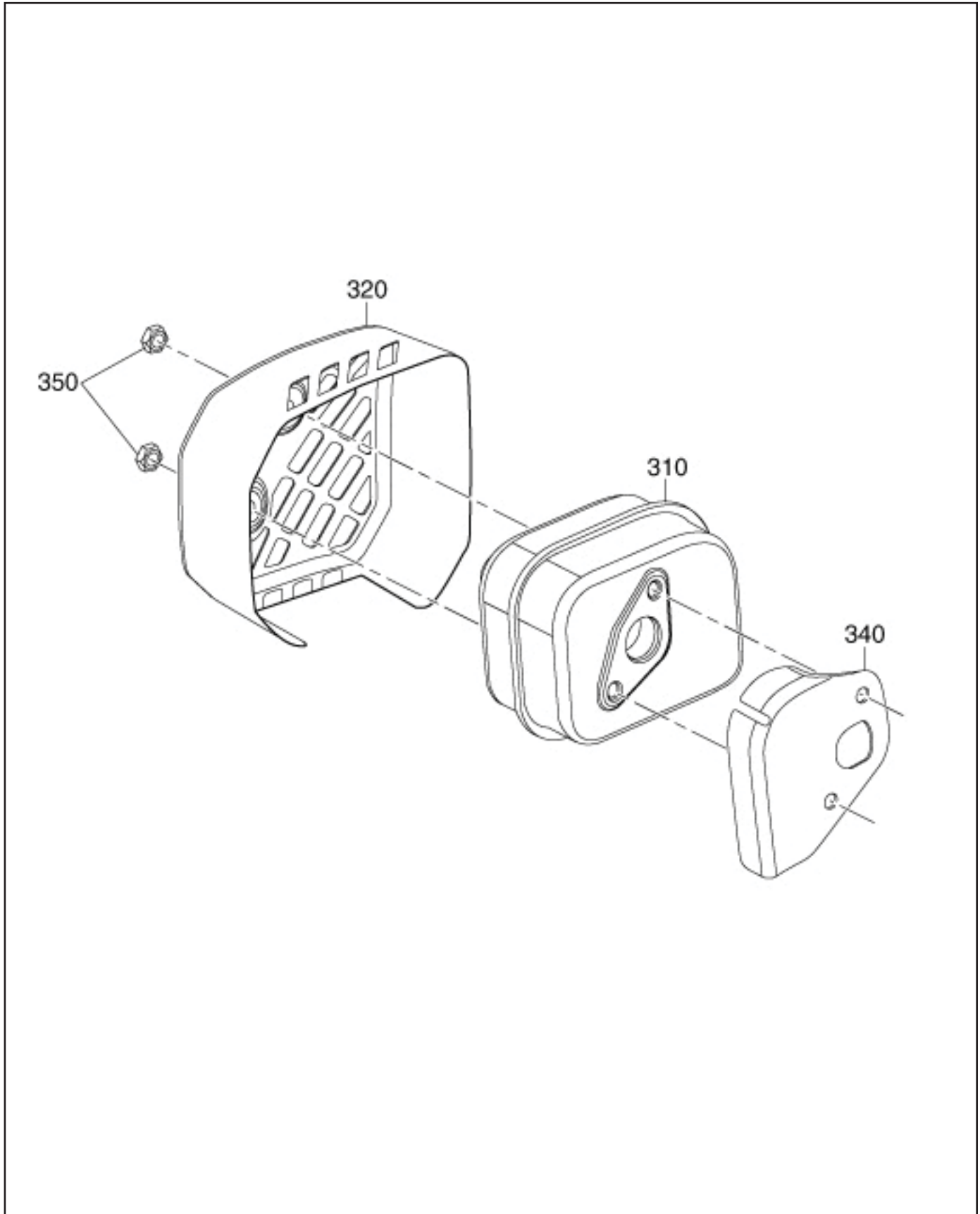


FIG. 5 GOVERNOR GROUP

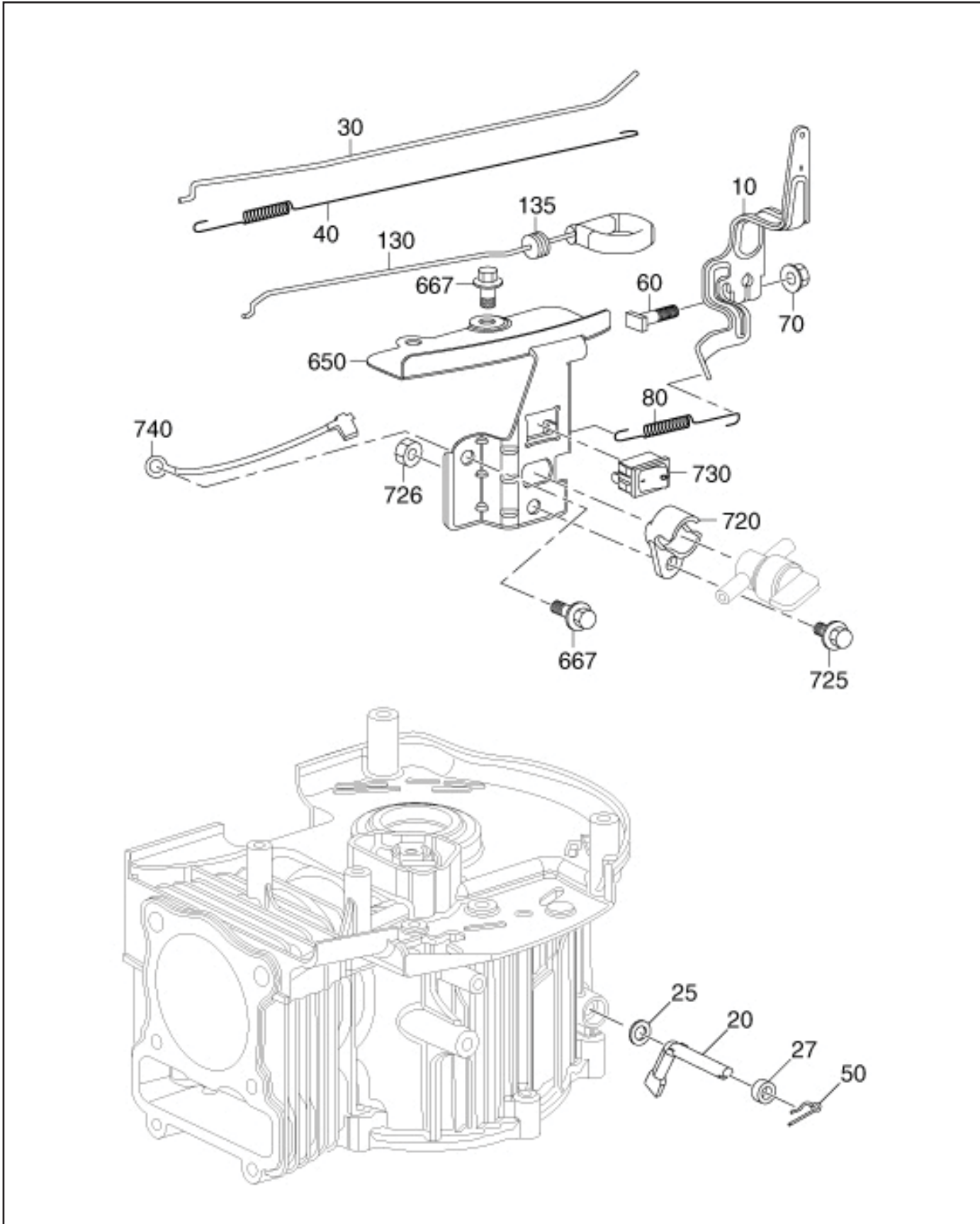


FIG. 5 COOLING and STARTING GROUP

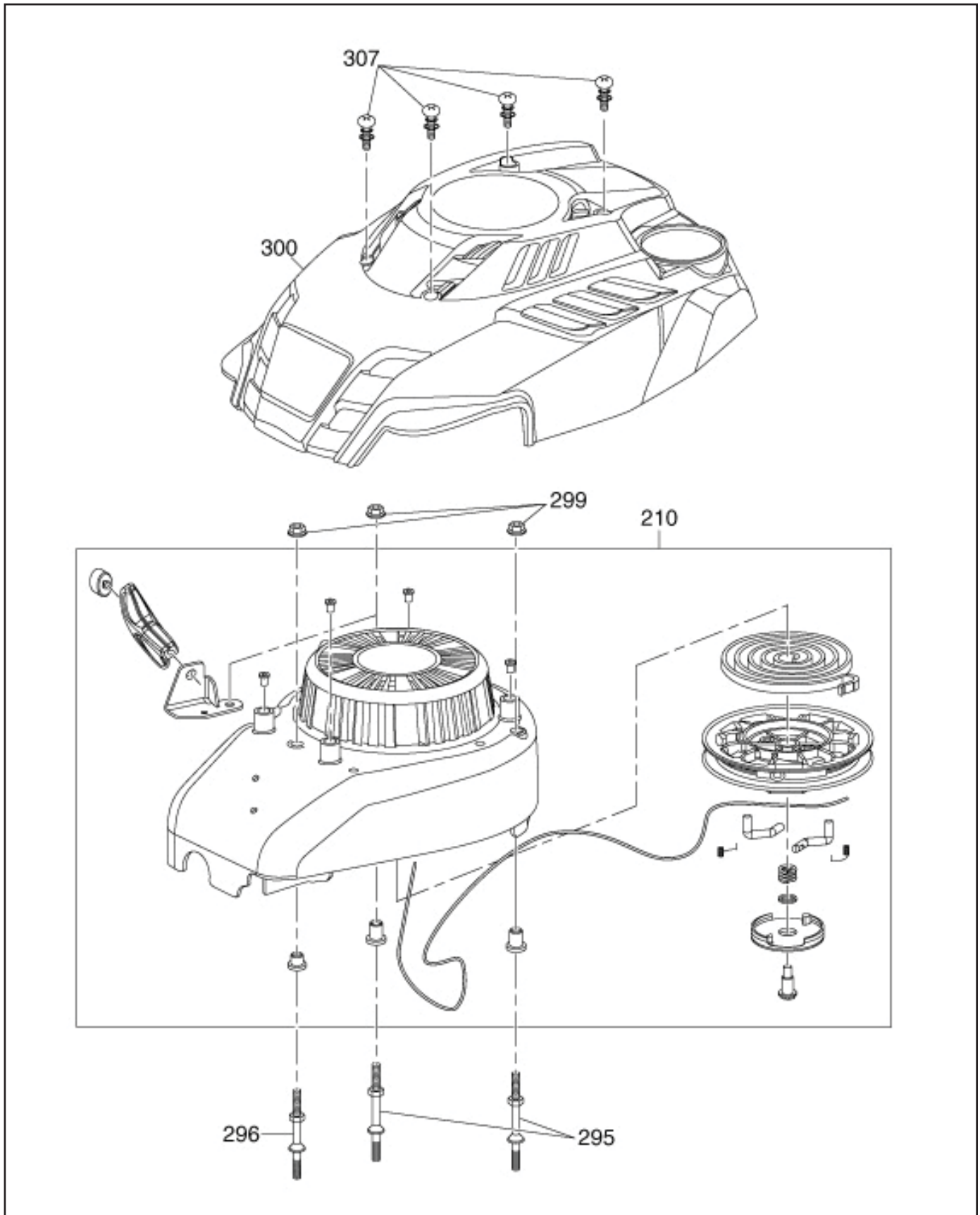


FIG. 6 FUEL LUBRICANT GROUP

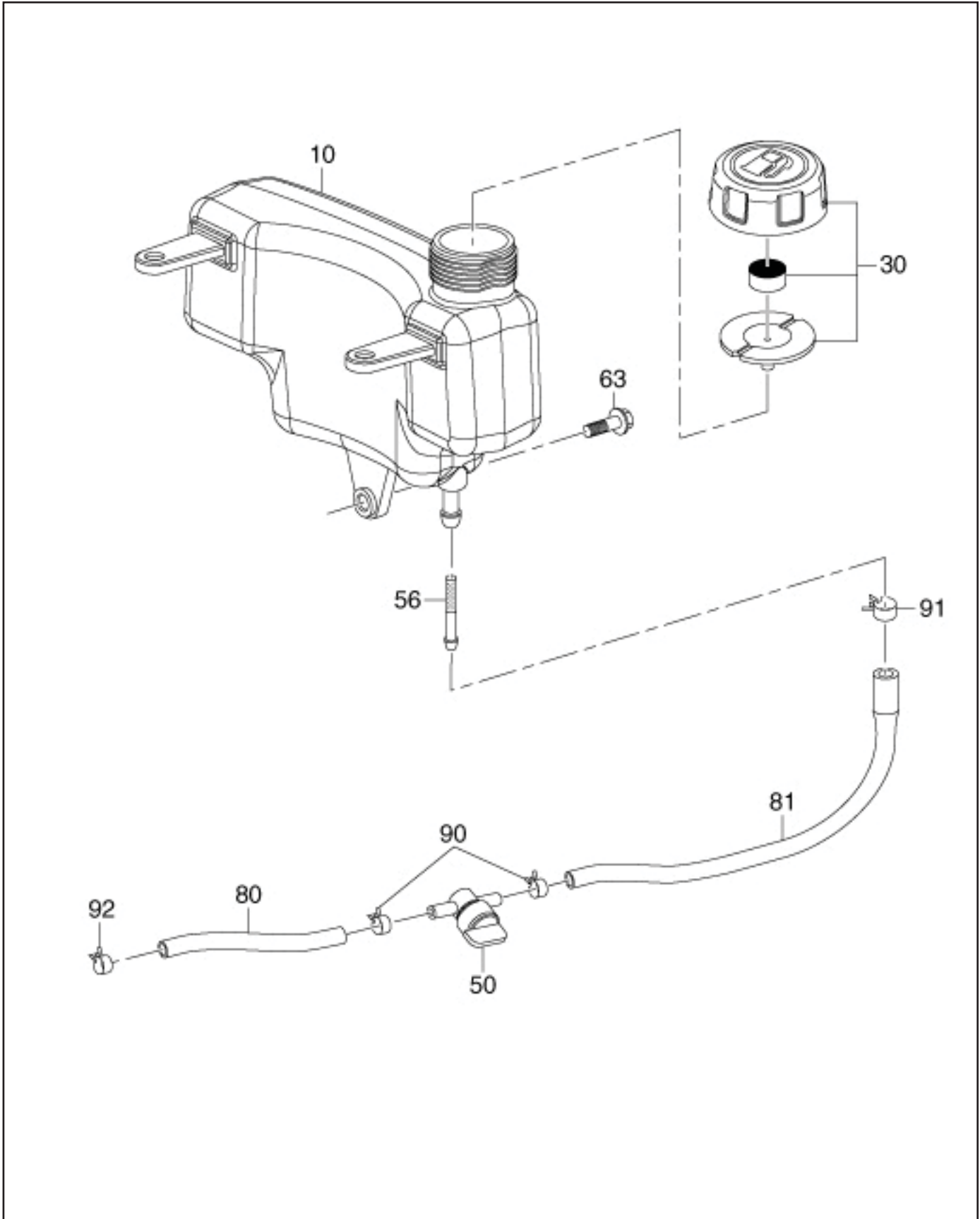


FIG. 6 FUEL LUBRICANT GROUP

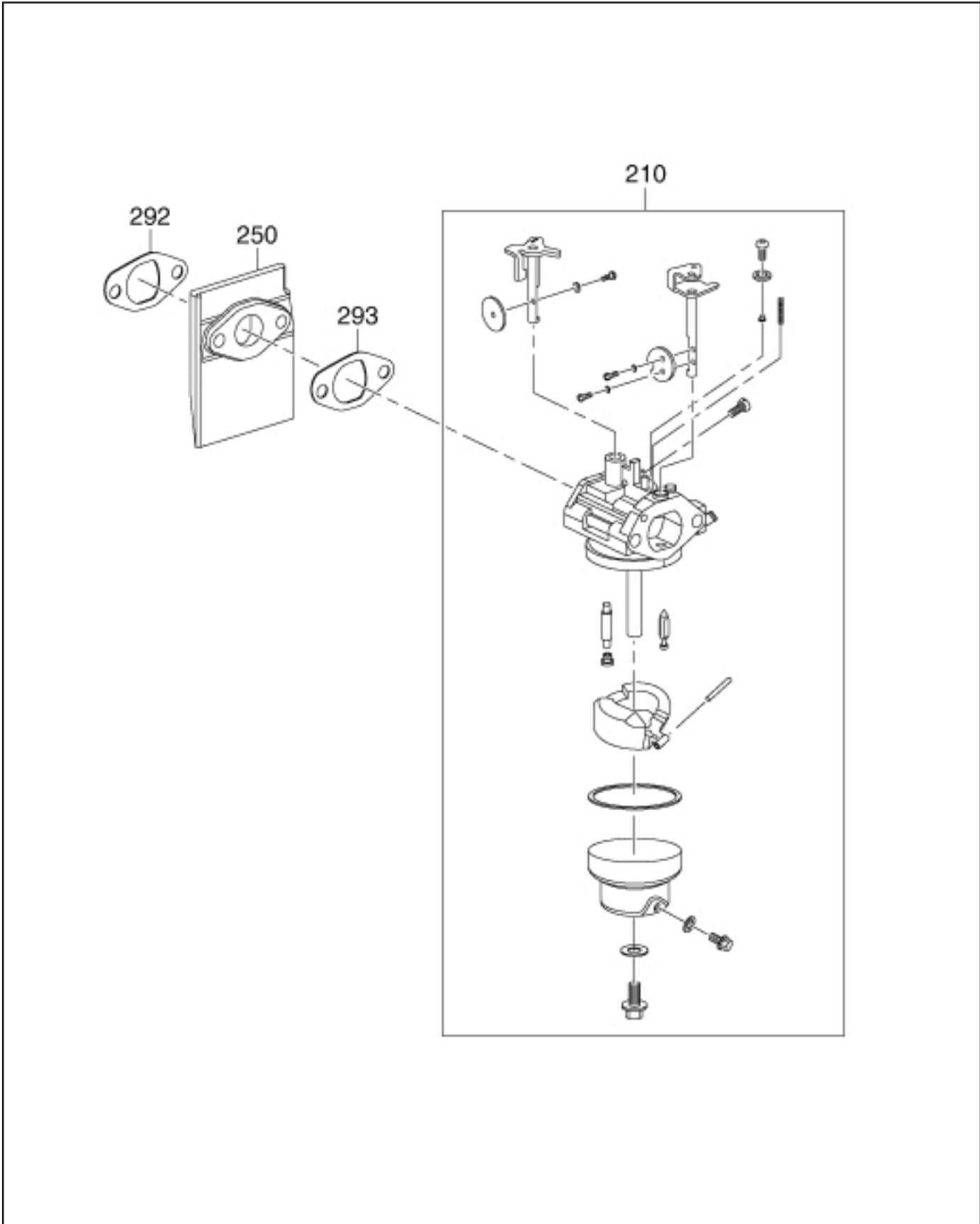
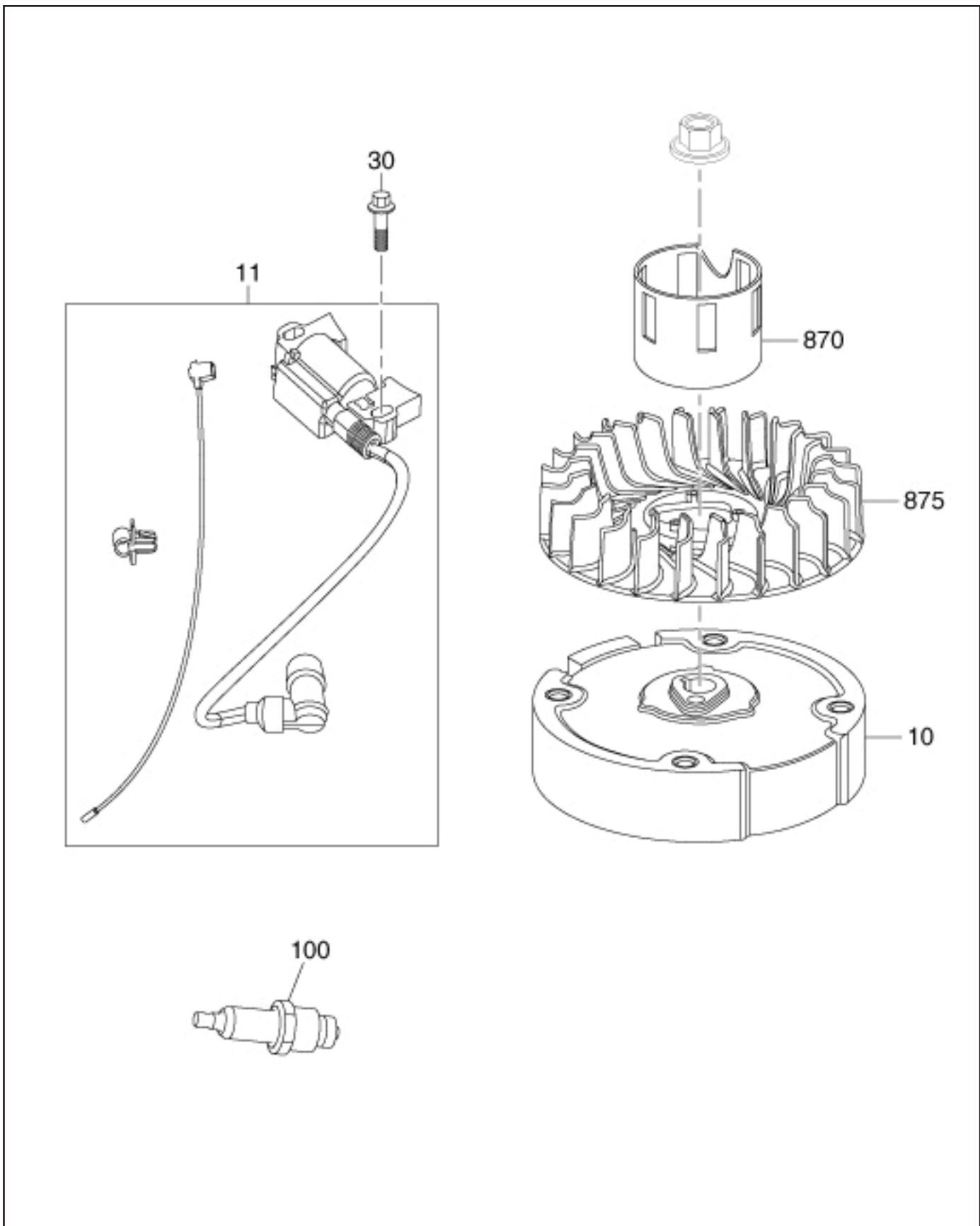


FIG. 7 ELECTRIC GROUP



PRINTED IN THE USA

Robin America, Inc

905 Telsler Road • Lake Zurich, IL 60047
Phone: 847-540-7300 • Fax: 847-438-5012
e-mail: sales@subarupower.com • www.subarupower.com