

Mi-T-M[®] CORPORATION

8650 Enterprise Drive, Peosta IA 52068

563-556-7484 / Fax 563-556-1235

PARTS LIST FOR
CW-2504/3004-1MKB
(AFTER SERIAL #340383)

ENGINE OIL GRADE :	SAE10W-30
ENGINE OIL CAPACITY:	
CW-2504-1MKB:	37 oz.
CW-3004-1MKB:	44 oz.
PUMP OIL:	Mi-T-M #AW-4085-0016
PUMP OIL CAPACITY:	15 oz.
NOZZLE SIZE:	4.5

This Parts Listing has been compiled for your benefit. You can be assured your Mi-T-M Cold Water Pressure Washer was constructed and designed with quality and performance in mind using over 25 years experience in the pressure washer business. Each component has been rigorously tested to insure the highest level of acceptance.

The contents of this Parts Listing are based on the latest product information available at the time of publication. Mi-T-M reserves the right to make changes in price, color, materials, equipment, specifications or models at any time without notice.

WARNING

THIS IS A PROFESSIONAL HIGH PRESSURE, COLD WATER PRESSURE WASHER. CAUTION SHOULD BE OBSERVED WHEN USING OR REPAIRING THIS UNIT! READ AND FOLLOW THE SAFETY WARNINGS LISTED BELOW BEFORE ATTEMPTING ANY REPAIRS ON THIS PRESSURE WASHER!

SAFETY WARNINGS

1. NEVER alter or modify the equipment. Be sure any accessory items and system components being used will withstand the pressure developed. Use only genuine Mi-T-M parts for repair of your pressure washer. Failure to do so can cause hazardous operating conditions and will VOID warranty.
2. NEVER make adjustments on machinery while the unit is connected to the power source. Turning over the machinery by hand during adjustment or cleaning might start the machinery, causing serious injury to the operator.
3. Know how to stop and bleed pressures quickly. Be thoroughly familiar with controls.
4. Before servicing the unit, turn unit off, relieve the water pressure and allow the unit to cool down. Do not make repairs while the unit is running. Service in a clean, dry, flat area.
5. After testing the machine, DO NOT leave the pressurized unit unattended. Shut off the unit and release trapped pressure before leaving.

Table of Contents

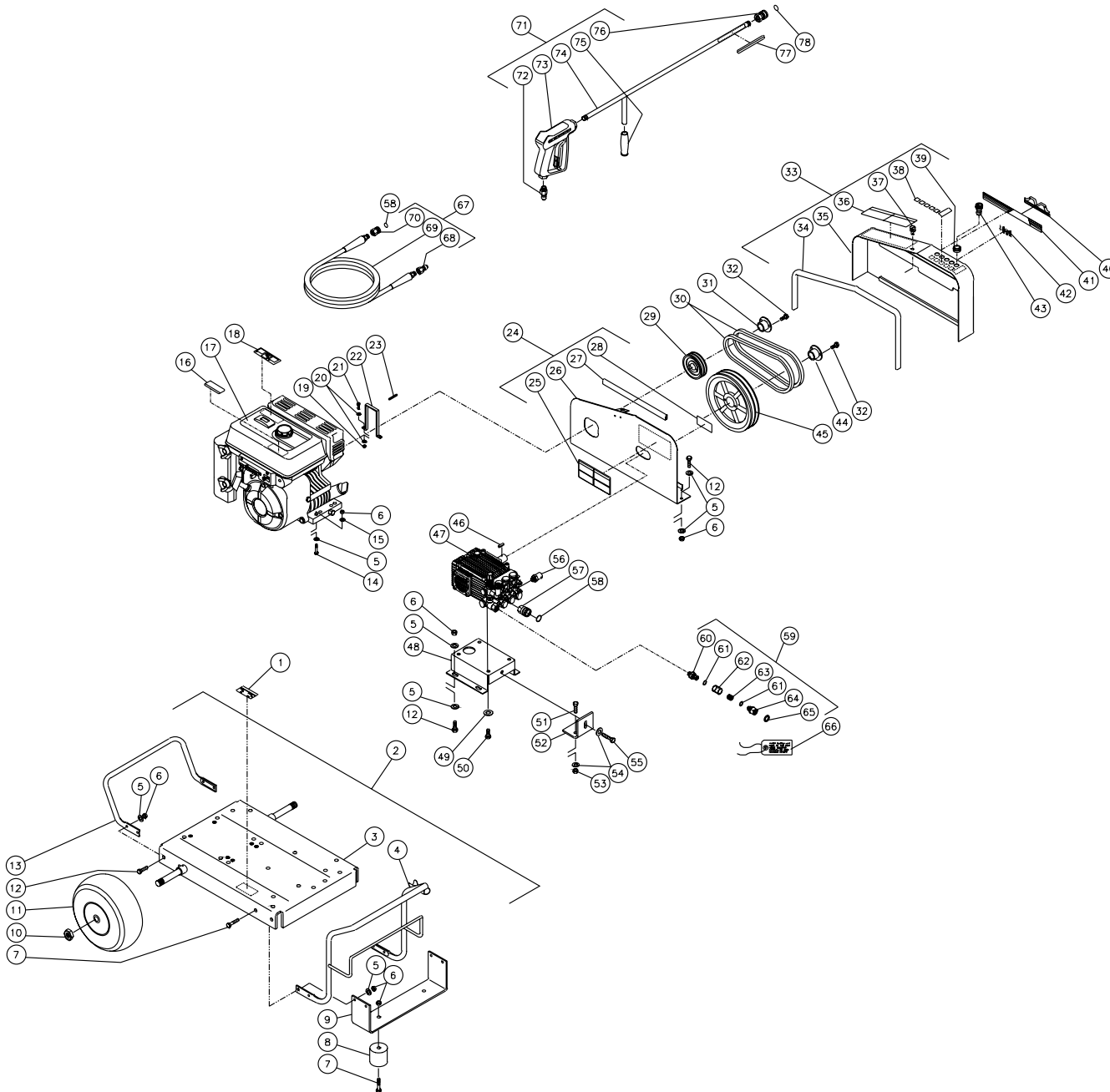
SPECIFICATIONS	3
FRAME ASSEMBLY FOR CW-2504-1MKB	4
FRAME ASSEMBLY FOR CW-3004-1MKB	6
PUMP ASSEMBLY (3-0176)	8
GUN ASSEMBLY (16-0001)	10

SPECIFICATIONS

CW-2504/3004-1MKB

MODEL NUMBER	CW-2504-1MKB	CW-3004-1MKB
Operating Pressure (PSI/Bar):	2500/172.4	3000/206.8
High Pressure Nozzle:	4.5	
Water Volume (GPM/lpm):	3.6/13.6	3.9/14.7
Engine:	Kawasaki	
Horsepower	9.5	11.0
Engine Type	4 Stroke, Overhead Valve, Single Cylinder	
Oil Type	SAE10W-30	
Oil Capacity (oz./liter)	37/1.1	44/1.3
Low Oil Protection	Low Oil Shut-Off	
Fuel Type	Unleaded Gasoline 86 Octane Minimum	
Fuel Capacity (gal./liter)	1.58/6.0	1.7/6.4
Starting	Recoil	
Maximum No Load RPM	3600 (+/- 100) RPM	
Pump:	Direct Driven, Oil Bath, Triplex Piston	
Oil Type	Mi-T-M Pump Oil #AW-4085-0016	
Oil Capacity (oz./liters)	15/.44	
Plungers	Ceramic Coated	
Manifold	Forged Brass	
Valves	Stainless Steel	
Unloader	Adjustable	
Heat Dump Valve	Relieves heated water during unloader bypass stage	
Unit Net Weight (lbs/Kg)	180/81.5	190/86
Unit Shipping Weight (lbs/Kg)	260/118	270/122.5
Unit Net Dimension (cm)	41Lx26.5Wx26.5H/104Lx67Wx67H	
Unit Shipping Dimension (cm)	48.5Lx30.5Wx35.5H/123Lx77.5Wx90H	

FRAME ASSEMBLY FOR CW-2504-1MKB

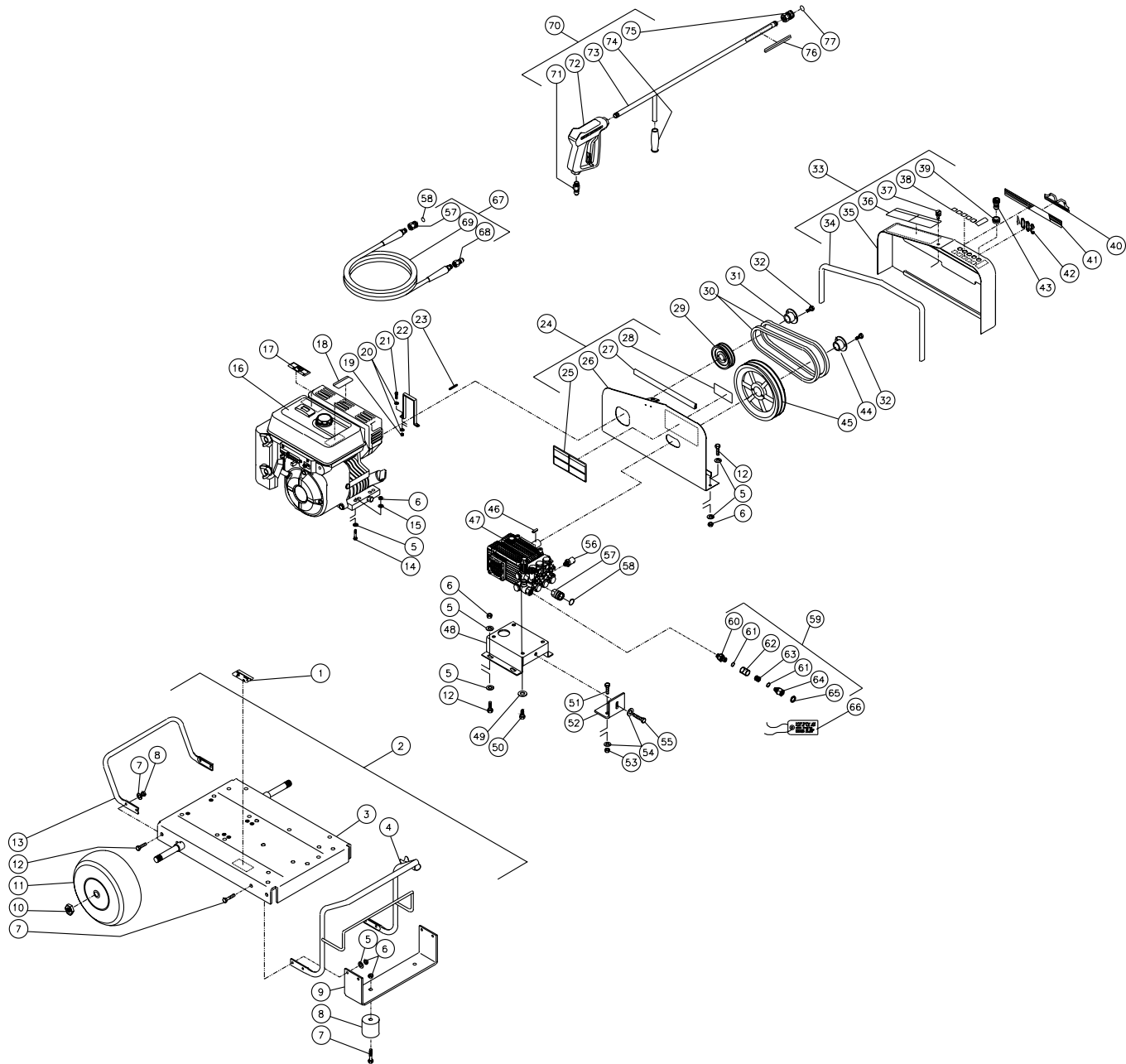


CW-2504-1MKB-090401-RD

FRAME ASSEMBLY FOR CW-2504-1MKB

REF #	DESCRIPTION	PART #	QTY	REF #	DESCRIPTION	PART #	QTY	REF #	DESCRIPTION	PART #	QTY
1	Decal- Data Plate	N/A	1	29	Sheave	10-0074	1	54	Washer	28-0023	3
2	Base Plate Assembly (Inc. 3-13)	851-0329	1	30	Belt	11-0023	2	55	Bolt	27-0576	1
3	Base Plate	5-0146A01	1	31	Bushing	9-0005	1	56	Heat Dump Valve	22-0005	1
4	Handle-Front	7-0101A01	1	32	Bolt w/Bushing	27-0015	4	57	Quick Connect Socket	17-0004	2
5	Washer	28-0003	28	33	Beltguard Cover Assembly (Inc. 34-39)	851-0313	1	58	O-ring (Replacement Only)	25-0123	-
6	Locknut	30-0157	22	34	Edging *(Three Feet Required)	33-0020	1	59	Filter Assembly (Inc. 60-65)	19-0206	1
7	Bolt	27-0068	6	35	Beltguard Cover (See 851-0313)	N/A Sep.	1	60	Inlet Filter (See 19-0206)	N/A Sep.	1
8	Isolator	14-0008	2	36	Decal- Operating Instructions (E/S)	34-0813	1	61	O-ring	25-0517	2
9	Underbracket	13-0042A01	1	37	Fastener	33-0197	1	62	Filter Sight Glass	19-0208	1
10	Jamnut	30-0117	2	38	Decal- Nozzles Die Cut	34-0500	1	63	Strainer Screen	19-0209	1
11	Wheel	14-0006	2	39	Grommet	33-0001	5	64	Inlet Filter (See 19-0206)	N/A Sep.	1
12	Bolt	27-0067	12	40	Decal- Mi-T-M Logo	62-0086	1	65	Garden Hose Gasket	26-0001	1
13	Handle-Rear	7-0104A01	1	41	Decal- Mi-T-M Stripe	34-0502	1	66	Tag-Water Supply Inlet	34-0097	1
14	Bolt	27-0070	4	42	Decal- Die Cut 2504	34-0512	1	67	High Pressure Hose Assembly (Inc. 68-70)	851-0007	1
15	Engine Shim	33-0169	4	43	Spray Nozzle - 0004.5	18-0033	1	68	Quick Connect Plug	17-0006	1
16	Decal- Caution: Allow to Cool (E/S)	34-0599	1	-	Spray Nozzle - 1504.5	18-0039	1	69	Pressure Hose	15-0003	1
17	Engine- 9.5 HP Kawasaki	1-0072	1	-	Spray Nozzle - 2504.5	18-0060	1	70	Quick Connect Socket	17-0004	1
18	Decal- Warning: Muffler Hot (E/S)	34-0598	1	-	Spray Nozzle - 4004.5	18-0065	1	71	Gun/Wand Assembly (Inc. 72-76)	851-0095	1
19	Locknut	30-0155	2	44	Bushing	9-0017	1	72	Quick Connect Plug	17-0005	1
20	Washer	28-0002	4	45	Sheave	10-0035	1	73	Gun	16-0001	1
21	Bolt	27-0015	2	46	Key w/Pump	46-0601	1	74	Wand w/ 36" Handle	16-0120A01	1
22	Guard-Finger	6-0054A01	1	47	Pump	3-0176	1	75	Handle Grip	7-0002	1
23	Key	43-0078	1	48	Pump Bracket	5-0130A01	1	76	Quick Connect Socket	17-0001	1
24	Beltguard Back Assembly (Inc. 25-28)	851-0213	1	49	Lockwasher	29-0054	4	77	Decal- Warning: Risk of Injection (E/S)	34-1253	1
25	Decal- Warning/Caution (E/S)	34-0812	1	50	Bolt	27-8884	4	78	O-ring (Replacement Only)	25-0122	-
26	Beltguard Back (See 851-0213)	N/A Sep.	1	51	Bolt	27-0118	2	*Must Order in One Foot Lengths			
27	Edging *(Two Feet Required)	33-0020	1	52	Brace Tightener	13-0005A01	1				
28	Decal- Warning: Beltguard in Place (E/S)	34-0826	1	53	Locknut	30-0159	2				

FRAME ASSEMBLY FOR CW-3004-1MKB

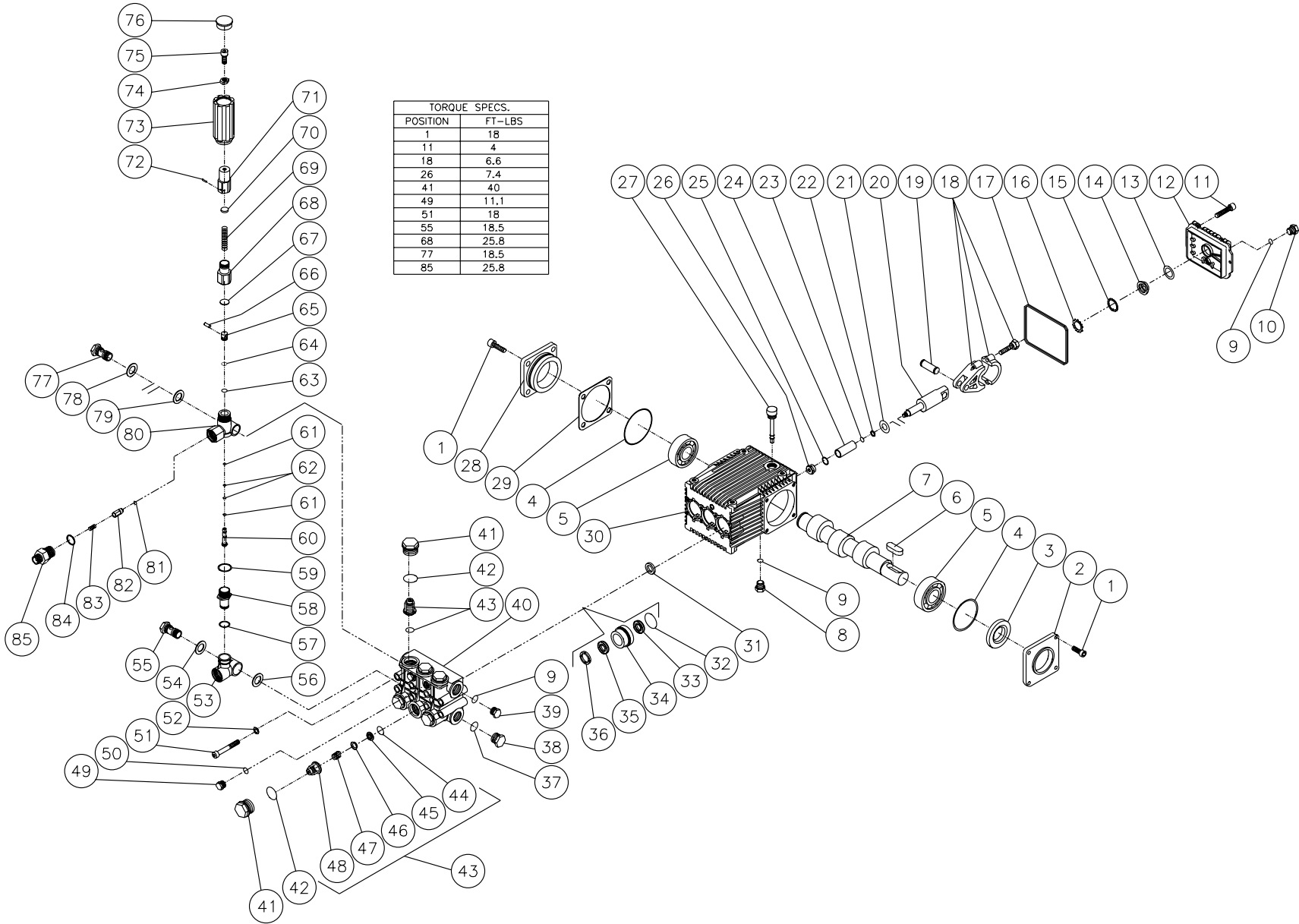


CW-3004-1MKB-100301-RD

FRAME ASSEMBLY FOR CW-3004-1MKB

REF #	DESCRIPTION	PART #	QTY	REF #	DESCRIPTION	PART #	QTY	REF #	DESCRIPTION	PART #	QTY
1	Decal- Data Plate	N/A	1	28	Decal- Warning: Beltguard in Place (E/S)	34-0826	1	52	Brace Tightener	13-0005A01	1
2	Base Plate Assembly (Inc. 3-13)	851-0329	1	29	Sheave	10-0067	1	53	Locknut	30-0159	2
3	Base Plate	5-0146A01	1	30	Belt	11-0023	2	54	Washer	28-0023	3
4	Handle-Front	7-0101A01	1	31	Bushing	9-0005	1	55	Bolt	27-0576	1
5	Washer	28-0003	28	32	Bolt w/Bushing	27-0015	4	56	Heat Dump Valve	22-0005	1
6	Locknut	30-0157	22	33	Beltguard Cover Assembly (Inc. 34-39)	851-0214	1	57	Quick Connect Socket	17-0004	2
7	Bolt	27-0068	6	34	Edging *(Three Feet Required)	33-0020	1	58	O-ring (Replacement Only)	25-0123	-
8	Isolator	14-0008	2	35	Beltguard Cover (See 851-0214)	N/A Sep.	1	59	Filter Assembly (Inc. 60-65)	19-0206	1
9	Underbracket	13-0042A01	1	36	Decal- Warning: Muffler Hot (E/S)	34-0816	1	60	Inlet Filter (See 19-0206)	N/A Sep.	1
10	Jamnut	30-0117	2	37	Fastener	33-0197	1	61	O-ring	25-0517	2
11	Wheel	14-0006	2	38	Decal- Nozzles Die Cut	34-0500	1	62	Filter Sight Glass	19-0208	1
12	Bolt	27-0067	12	39	Grommet	33-0001	5	63	Strainer Screen	19-0209	1
13	Handle-Rear	7-0104A01	1	40	Decal- Mi-T-M Logo	62-0086	1	64	Inlet Filter (See 19-0206)	N/A Sep.	1
14	Bolt	27-0070	4	41	Decal- Mi-T-M Stripe	34-0502	1	65	Garden Hose Gasket	26-0001	1
15	Engine Shim	33-0169	4	42	Decal- Die Cut 3004	34-0105	1	66	Tag-Water Supply Inlet	34-0097	1
16	Engine- 11.5 HP Kawasaki	1-0073	1	43	Spray Nozzle - 0004.5	18-0033	1	67	High Pressure Hose Assembly (Inc. 57, 68-69)	851-0007	1
17	Decal- Warning: Muffler Hot (E/S)	34-0598	1	-	Spray Nozzle - 1504.5	18-0039	1	68	Quick Connect Plug	17-0006	1
18	Decal- Caution: Allow to Cool (E/S)	34-0599	1	-	Spray Nozzle - 2504.5	18-0060	1	69	Pressure Hose	15-0003	1
19	Locknut	30-0155	2	-	Spray Nozzle - 4004.5	18-0065	1	70	Gun/Wand Assembly (Inc. 71-75)	851-0095	1
20	Washer	28-0002	4	44	Bushing	9-0017	1	71	Quick Connect Plug	17-0005	1
21	Bolt	27-0015	2	45	Sheave	10-0035	1	72	Gun	16-0001	1
22	Guard-Finger	6-0054A01	1	46	Key w/Pump	46-0601	1	73	Wand w/ 36" Handle	16-0120A01	1
23	Key	43-0078	1	47	Pump	3-0176	1	74	Handle Grip	7-0002	1
24	Beltguard Back Assembly (Inc. 25-28)	851-0213	1	48	Pump Bracket	5-0130A01	1	75	Quick Connect Socket	17-0001	1
25	Decal- Warning/Caution (E/S)	34-0812	1	49	Lockwasher	29-0054	4	76	Decal- Warning: Risk of Injection (E/S)	34-1253	1
26	Beltguard Back (See 851-0213)	N/A Sep.	1	50	Bolt	27-8884	4	77	O-ring (Replacement Only)	25-0122	-
27	Edging *(Two Feet Required)	33-0020	1	51	Bolt	27-0118	2	*Must Order in One Foot Lengths			

PUMP ASSEMBLY (3-0176)



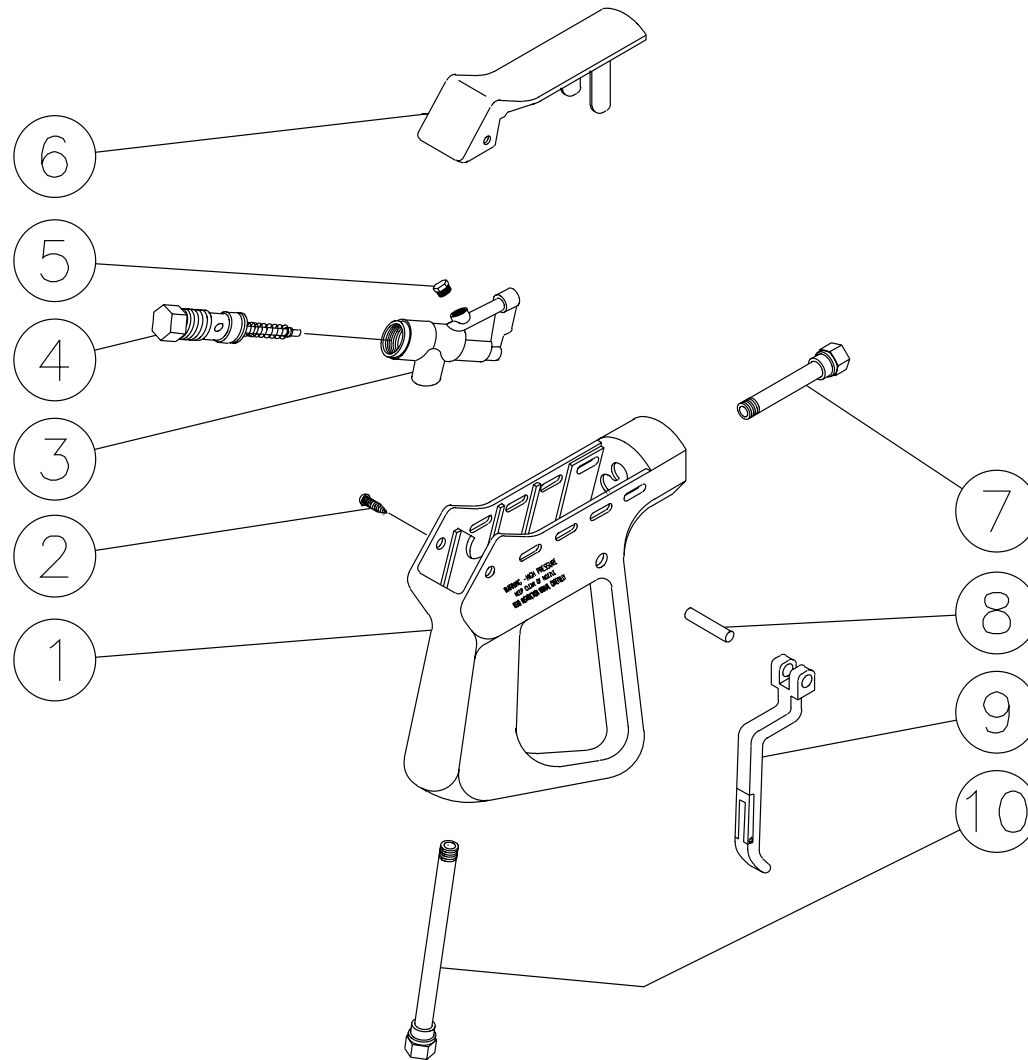
TORQUE SPECS.	
POSITION	FT-LBS
1	18
11	4
18	6.6
26	7.4
41	40
49	11,1
51	18
55	18,5
68	25,8
77	18,5
85	25,8

3-0176-070201-RD

PUMP ASSEMBLY (3-0176)

REF. #	DESCRIPTION	PART #	QTY.	REF. #	DESCRIPTION	PART #	QTY.	REF. #	DESCRIPTION	PART #	QTY.
1	Bolt	27-8884	8	31	Oil Seal	26-0190	3	62	O-ring	25-0371	5
2	Shaft Cover	46-0691	1	32	O-ring	25-0384	3	63	O-ring (See 8-0456)	N/A Sep.	1
3	Oil Seal	26-0188	1	33	Low Pressure Seal (See 70-0177)	N/A Sep.	3	64	Back-up Ring (See 8-0456)	N/A Sep.	1
4	O-ring	25-0380	2	34	Packing Retainer	46-0708	3	65	Poppet	8-0443	1
5	Bearing	48-0061	1	35	V-Packing (See 70-0177)	N/A Sep.	3	66	Pin	8-0444	1
6	Key	43-0091	1	36	Support Ring (See 70-0178)	N/A Sep.	3	67	Spring Button	8-0445	1
7	Crankshaft	46-0692	1	37	O-ring	25-0372	1	68	Spring Guide	8-0474	1
8	Plug	39-0102	1	38	Plug	39-0088	1	69	Spring	49-0132	1
9	O-ring	25-0325	3	39	Plug	39-0086	1	70	Spring Button	8-0475	1
10	Plug	39-0086	1	40	Manifold	46-0711	1	71	Adjustment Barrel	8-0476	1
11	Bolt	27-8885	6	41	Valve Cap	39-0095	6	72	Pin	8-0477	1
12	Crankcase Cover	46-0719	1	42	O-ring	25-0160	6	73	Unloader Knob	7-0141	1
13	O-ring	25-0370	1	43	Single Valve Assembly (Inc. 41-45) (See 70-0319)	N/A Sep.	6	74	Nut	30-3025	1
14	Oil Sight Glass	46-0670	1	44	O-ring	25-0386	6	75	Bolt	27-8433	1
15	Reflector	46-0824	1	45	Valve Seat (See 70-0319)	N/A Sep.	6	76	Cap	7-0142	1
16	Retainer	46-0671	1	46	Valve Plate (See 70-0319)	N/A Sep.	6	77	Adapter	8-0448	1
17	O-ring	25-0398	1	47	Valve Spring (See 70-0319)	N/A Sep.	6	78	Washer	8-0449	1
18	Connecting Rod	46-0696	3	48	Valve Cage (See 70-0319)	N/A Sep.	6	79	Washer	8-0450	1
19	Piston Pin	46-0698	3	49	Plug	39-0096	2	80	Unloader Body	8-0451	1
20	Plunger Rod	46-0699	3	50	O-ring	25-0387	2	81	O-ring	25-0391	1
21	Washer	46-0700	3	51	Bolt	27-8440	8	82	Check Valve	8-0454	1
22	Back-up Ring	25-0404	3	52	Lockwasher	29-0154	8	83	Spring	49-0123	1
23	O-ring	25-0382	3	53	Inlet Bypass Adapter	8-0437	1	84	O-ring	25-0372	1
24	Piston	46-0701	3	54	Washer	8-0440	1	85	Adaptor Nipple	24-0159	1
25	Gasket	26-0191	3	55	Adapter	8-0438	1		High Pressure Seals Kit (Inc. 3 each 32, 33, 35)	70-0177	
26	Nut	30-6020	3	56	Washer	8-0439	1		Support Rings Kit (Inc. 3 each 36)	70-0178	
27	Oil Dipstick	39-0090	1	57	O-ring (See 8-0456)	N/A Sep.	1		Valve Kit (Inc. 3 each 44-48)	70-0319	
28	Support Bearing Cap	46-0703	1	58	Nipple	8-0441	1		Unloader Kit (Includes 53-83)	8-0456	
29	Shim- 0.1mm (Qty. Varies 1-3)	46-0704	-	59	O-ring (See 8-0456)	N/A Sep.	1		Unloader Repair Kit (Inc. 57, 59, 61-64, 81)	70-0180	
-	Shim- 0.2mm (Qty. Varies 1-3)	46-0705	-	60	Piston	8-0442	1		Piston Kit (Inc. 3 each 24)	70-0320	
30	Crankcase	46-0811	1	61	Back-up Ring (See 8-0456)	N/A Sep.	2		Oil Seals Kit (Inc. 3, 4, 17, 31)	70-0321	

GUN ASSEMBLY (16-0001)



GUN ASSEMBLY (16-0001)			
REF. #	DESCRIPTION	PART #	QTY.
1	Plastic Housing	16-0008	1
2	Screw	27-3230	2
3	Brass Housing	16-0012	1
4	Gun Repair Kit	70-0055	1
5	Brass Plug	39-0024	1
6	Plastic Cover	16-0009	1
7	Pipe Assembly	16-0013	1
8	Trigger Pin	16-0063	1
9	Trigger/Safety Lock-off	16-0010	1
10	Pipe Assembly- Inlet	16-0016	1
	Complete Gun Assembly	16-0001	1

