

# **THE WORK PRO<sup>®</sup>**

**by Mi-T-M<sup>®</sup>**

8650 Enterprise Drive, Peosta IA 52068  
563-556-7484 / Fax 563-556-1235

## **PARTS LIST FOR WP-2400-0MIB/1MIB (AFTER SERIAL #411695)**

|                             |  |
|-----------------------------|--|
| <b>Engine Oil Grade:</b>    | <b>Above 40°F=SAE30<br/>Below 40°F=SAE10W-30</b> |
| <b>Engine Oil Capacity:</b> | <b>20 oz.</b>                                    |
| <b>Pump Oil Grade:</b>      | <b>Mi-T-M Pump Oil #AW-4085-0016</b>             |
| <b>Pump Oil Capacity:</b>   | <b>6.5 oz.</b>                                   |
| <b>Nozzle Size:</b>         | <b>3.0</b>                                       |

This Parts Listing has been compiled for your benefit. You can be assured your Mi-T-M Cold Water Pressure Washer was constructed and designed with quality and performance in mind using over 25 years experience in the pressure washer business. Each component has been rigorously tested to insure the highest level of acceptance.

The contents of this Parts Listing are based on the latest product information available at the time of publication. Mi-T-M reserves the right to make changes in price, color, materials, equipment, specifications or models at any time without notice.

**WARNING**

THIS IS A PROFESSIONAL HIGH PRESSURE, COLD WATER PRESSURE WASHER. CAUTION SHOULD BE OBSERVED WHEN USING OR REPAIRING THIS UNIT! READ AND FOLLOW THE SAFETY WARNINGS LISTED BELOW BEFORE ATTEMPTING ANY REPAIRS ON THIS PRESSURE WASHER!

**SAFETY WARNINGS**

1. NEVER alter or modify the equipment. Be sure any accessory items and system components being used will withstand the pressure developed. Use only genuine Mi-T-M parts for repair of your pressure washer. Failure to do so can cause hazardous operating conditions and will VOID warranty.
2. NEVER make adjustments on machinery while the unit is connected to the power source. Turning over the machinery by hand during adjustment or cleaning might start the machinery, causing serious injury to the operator.
3. Know how to stop and bleed pressures quickly. Be thoroughly familiar with controls.
4. Before servicing the unit, turn unit off, relieve the water pressure and allow the unit to cool down. Do not make repairs while the unit is running. Service in a clean, dry, flat area.
5. After testing the machine, DO NOT leave the pressurized unit unattended. Shut off the unit and release trapped pressure before leaving.

**Table of Contents**

**SPECIFICATIONS ..... 3**

**FRAME ASSEMBLY FOR WP-2400-0MIB/1MIB ..... 4**

**PUMP ASSEMBLY (3-0156) ..... 6**

**GUN/WAND ASSEMBLY (16-0364) ..... 8**

**LANCE ASSEMBLY (16-0366) ..... 10**

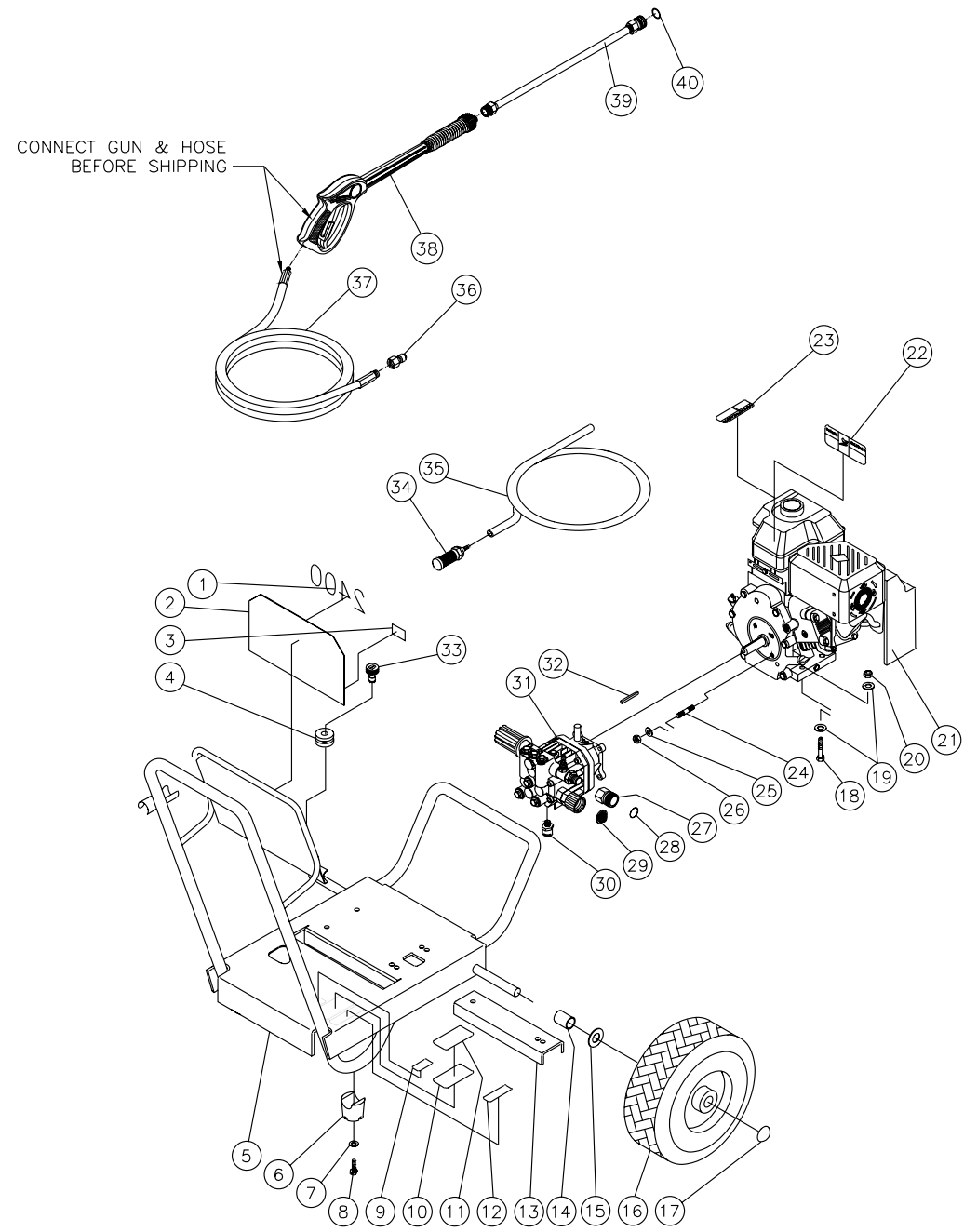
**NOTES ..... 11**

## SPECIFICATIONS

WP-2400-0MIB/ 1MIB

| MODEL NUMBER                           | WP-2400-0MIB                                       | WP-2400-1MIB    |
|--|--|-----------------|
| <b>Operating Pressure (PSI/Bar):</b>   | 2400/165.5   |                 |
| <b>High Pressure Nozzle:</b>           | 3.0  |                 |
| <b>Water Volume (GPM/lpm):</b>         | 2.4/9.8  |                 |
| <b>Engine:</b>                         | B & S Intek  | B & S Intek I/C |
| Horsepower                             | 5.5  | 5.5             |
| Engine Type                            | 4 Stroke, Overhead Valve, Single Cylinder          |                 |
| Oil Type                               | Above 40 F = SAE30/Below 40 F = SAE10W-30          |                 |
| Oil Capacity (oz./liters)              | 20/6   |                 |
| Low Oil Protection                     | Oil Guard  |                 |
| Fuel Type                              | Unleaded Gasoline 86 Octane Minimum                |                 |
| Fuel Capacity (gallon/ liters)         | .75/2.8  |                 |
| Starting                               | Recoil   |                 |
| Maximum No Load RPM                    | 3600 (+/- 100) RPM                                 |                 |
| <b>Pump:</b>                           | Direct Driven, Oil Bath, Triplex Piston            |                 |
| Oil Type                               | Mi-T-M Pump Oil #AW-4085-0016                      |                 |
| Oil Capacity (oz./liters)              | 6.5/19   |                 |
| Plungers                               | Ceramic Coated                                     |                 |
| Manifold                               | Forged Brass                                       |                 |
| Valves                                 | Stainless Steel                                    |                 |
| Unloader                               | Adjustable   |                 |
| Heat Dump Valve                        | Relieves heated water during unloader bypass stage |                 |
| Detergent Injector                     | Adjustable low pressure down stream from pump      |                 |
| <b>Unit Net Weight (lbs/Kg)</b>        | 80/36  |                 |
| <b>Unit Shipping Weight (lbs/Kg)</b>   | 92/42  |                 |
| <b>Unit Net Dimension (in/cm)</b>      | 30Lx21Wx26H/76Lx53.5Wx66H                          |                 |
| <b>Unit Shipping Dimension (in/cm)</b> | 30.5Hx21.5Wx26.5H/77.5Lx54.5Wx67.5H                |                 |

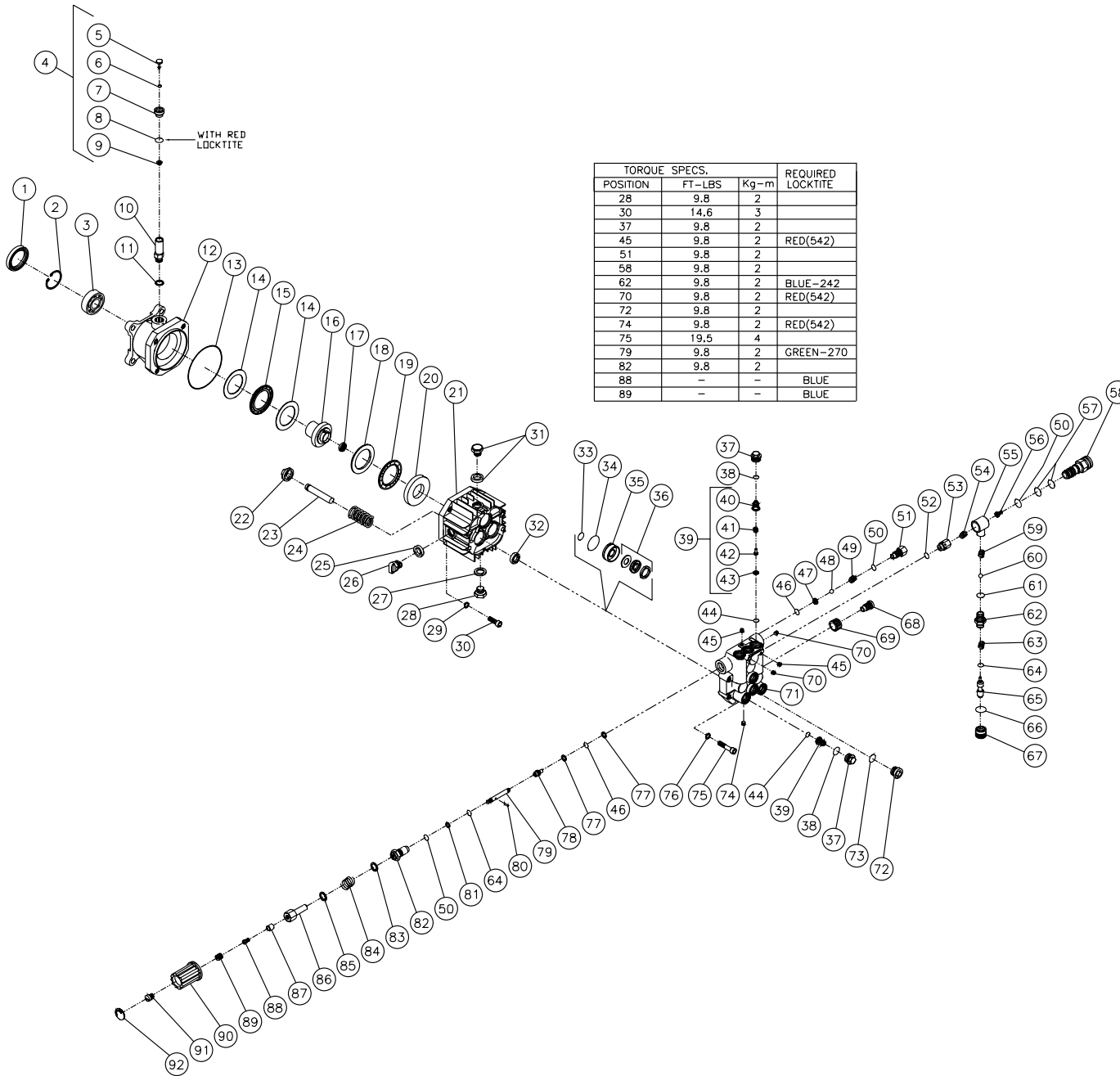
# FRAME ASSEMBLY FOR WP-2400-0MIB/1MIB



WP-2400-0MIB/1MIB-120100-EDW

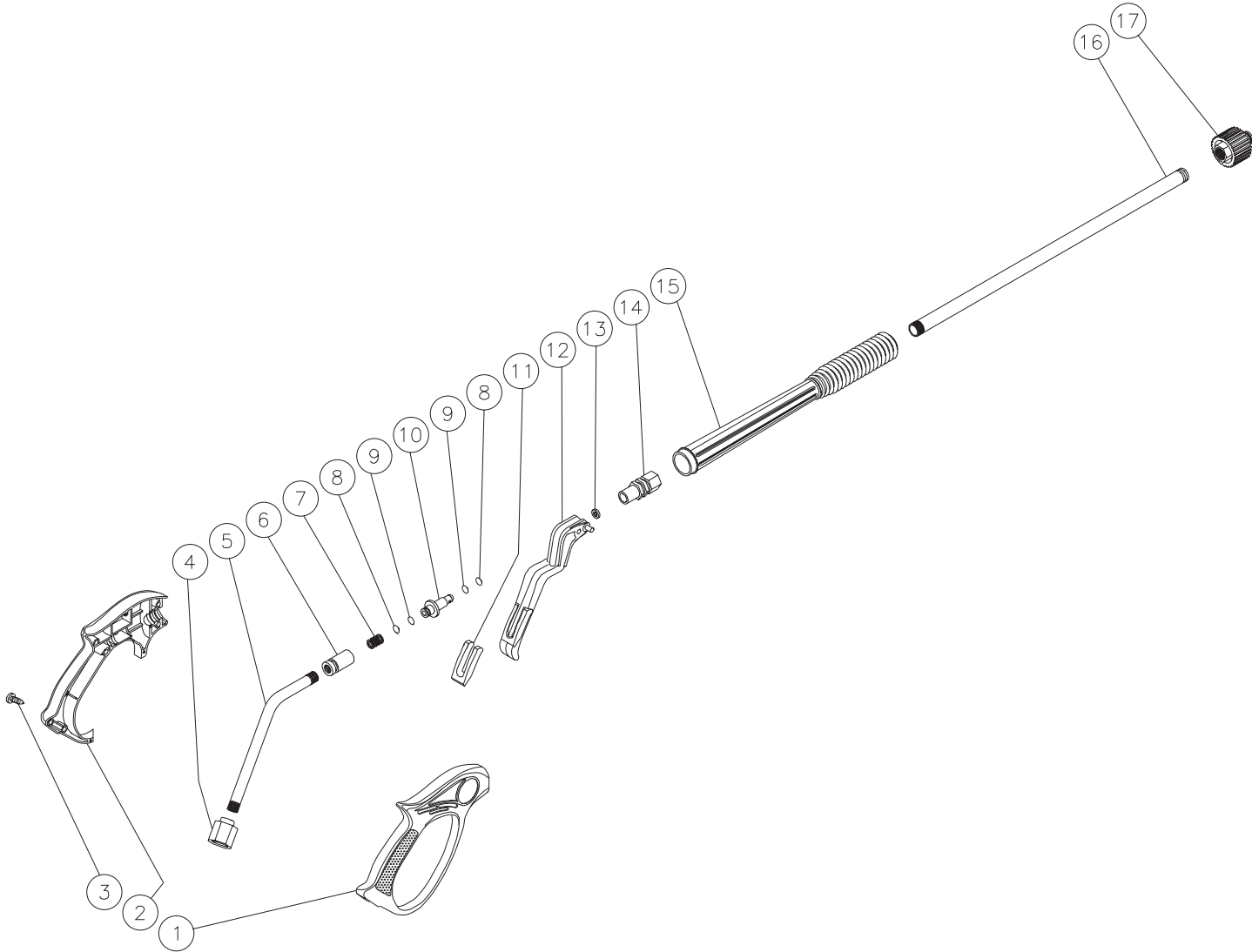
| FRAME ASSEMBLY FOR WP-2400-0MIB/1MIB |  |            |      |  |                                 |                                      |         |      |
|--------------------------------------|--|------------|------|--|---------------------------------|--------------------------------------|---------|------|
| REF. #                               | DESCRIPTION                                  | PART #     | QTY. |  | REF. #                          | DESCRIPTION                          | PART #  | QTY. |
| 1                                    | Decal- 2400 Die Cut                          | 34-0772    | 1    |  | 22                              | Decal- Warning: Muffler is Hot (E/S) | 34-0598 | 1    |
| 2                                    | Decal- Warning/Caution/Operating (E/S)       | 34-0737    | 1    |  | 23                              | Decal- Caution: Allow to Cool (E/S)  | 34-0599 | 1    |
| 3                                    | Decal- American Flag                         | 34-0521    | 1    |  | 24                              | Stud                                 | 27-8889 | 4    |
| 4                                    | Grommet                                      | 33-0001    | 5    |  | 25                              | Lockwasher                           | 29-0007 | 4    |
| 5                                    | Frame  | 5-0123A20  | 1    |  | 26                              | Nut                                  | 30-0004 | 4    |
| 6                                    | Isolator                                     | 14-0066    | 2    |  | 27                              | Fitting                              | 17-0004 | 1    |
| 7                                    | Washer                                       | 28-0021    | 2    |  | 28                              | O-ring (Replacement)                 | 25-0123 | -    |
| 8                                    | Screw  | 27-3096    | 2    |  | 29                              | Filter                               | 19-0001 | 1    |
| 9                                    | Decal- Serial Number                         | N/A        | 1    |  | 30                              | Heat Dump Valve                      | 22-0208 | 1    |
| 10                                   | Decal- Data Plate                            | N/A        | 1    |  | 31                              | Pump                                 | 3-0156  | 1    |
| 11                                   | Decal- Clear Laminate                        | N/A        | 1    |  | 32                              | Key                                  | 43-0073 | 1    |
| 12                                   | Decal- Technical Service Number              | 34-0603    | 1    |  | 33                              | Nozzle- 1503                         | 18-0150 | 1    |
| 13                                   | Brace  | 19-0119A20 | 2    |  | -                               | Nozzle- 2503                         | 18-0303 | 1    |
| 14                                   | Axle Spacer                                  | 20-0313A01 | 2    |  | -                               | Nozzle- 6540                         | 18-0148 | 1    |
| 15                                   | Washer                                       | 28-0008    | 5    |  | 34                              | Detergent Strainer                   | 19-0050 | 1    |
| 16                                   | Wheel  | 14-0080    | 2    |  | 35                              | Detergent Hose *(Four Feet Required) | 15-0021 | 1    |
| 17                                   | Hubcap                                       | 33-0018    | 2    |  | 36                              | Fitting                              | 17-0006 | 1    |
| 18                                   | Bolt   | 27-0070    | 4    |  | 37                              | Pressure Hose                        | 15-0138 | 1    |
| 19                                   | Washer                                       | 28-0003    | 8    |  | 38                              | Gun/Wand Assembly                    | 16-0364 | 1    |
| 20                                   | Locknut                                      | 30-0157    | 4    |  | 39                              | Lance Assembly                       | 16-0366 | 1    |
| 21                                   | Engine- 5.5 H.P. Briggs & Stratton Intek     | 1-0106     | 1    |  | 40                              | O-ring (Replacement)                 | 25-0122 | -    |
| -                                    | Engine- 5.5 H.P. Briggs & Stratton Intek I/C | 1-0108     | 1    |  | *Must Order in One Foot Lengths |                                      |         |      |

# PUMP ASSEMBLY (3-0156)



| PUMP ASSEMBLY (3-0156) |                               |          |      |        |   |          |      |        |  |          |      |
|------------------------|-------------------------------|----------|------|--------|---|----------|------|--------|--|----------|------|
| REF. #                 | DESCRIPTION                   | PART #   | QTY. | REF. # | DESCRIPTION                               | PART #   | QTY. | REF. # | DESCRIPTION                            | PART #   | QTY. |
| 1                      | Oil Seal                      | N/A      | 1    | 35     | V-Packing Retainer                        | 46-0807  | 3    | 69     | Garden Hose Connection                 | 23-0304  | 1    |
| 2                      | Snap Ring                     | N/A      | 1    | 36     | V-Packing Assembly (See 70-0231)          | N/A Sep. | 3    | 70     | Screw                                  | 27-8822  | 2    |
| 3                      | Bearing                       | 48-0074  | 1    | 37     | Valve Plug                                | 46-0628  | 6    | 71     | Manifold                               | 46-0829  | 1    |
| 4                      | Vent Plug                     | 22-0223  | 1    | 38     | O-ring                                    | 25-0359  | 6    | 72     | Manifold Plug                          | 39-0072  | 1    |
| 5                      | Piston Oil Vent               | N/A      | 1    | 39     | Valve Complete (Inc. 40-43) (See 70-0235) | N/A Sep. | 6    | 73     | O-ring                                 | 25-0273  | 1    |
| 6                      | O-ring                        | 25-0253  | 2    | 40     | Valve Cage (See 70-0235)                  | N/A Sep. | 6    | 74     | Screw                                  | 27-8198  | 1    |
| 7                      | Cage Oil Vent (See 46-0634)   | N/A Sep. | 1    | 41     | Valve Spring (See 70-0235)                | N/A Sep. | 6    | 75     | Bolt                                   | 27-8479  | 4    |
| 8                      | O-ring (See 46-0634)          | N/A Sep. | 1    | 42     | Valve Plate (See 70-0235)                 | N/A Sep. | 6    | 76     | Lockwasher                             | 29-0155  | 4    |
| 9                      | Spring Oil Vent (See 46-0634) | N/A Sep. | 1    | 43     | Valve Seat (See 70-0235)                  | N/A Sep. | 6    | 77     | Back-up Ring                           | 25-0247  | 2    |
| 10                     | Oil Fill Tube                 | 46-0748  | 1    | 44     | O-ring                                    | 25-0335  | 6    | 78     | Piston By-Pass                         | 46-0423  | 1    |
| 11                     | Gasket                        | 46-0779  | 1    | 45     | Screw                                     | 27-8821  | 2    | 79     | Pressure Regulator Pin (See 70-0120)   | N/A Sep. | 1    |
| 12                     | Flange                        | 38-0060  | 1    | 46     | Valve Seat                                | 46-0409  | 1    | 80     | Roll Pin                               | 46-0421  | 1    |
| 13                     | O-ring                        | 25-0243  | 1    | 47     | Ball                                      | 46-0394  | 1    | 81     | Back-up Ring                           | 25-0246  | 1    |
| 14                     | Washer                        | 48-0035  | 2    | 48     | Valve Spring                              | 46-0411  | 1    | 82     | Plug (See 70-0120)                     | N/A Sep. | 1    |
| 15                     | Bearing                       | 48-0030  | 1    | 49     | O-ring                                    | 25-0255  | 3    | 83     | Washer                                 | 46-0624  | 1    |
| 16                     | Shaft                         | 46-0939  | 1    | 50     | Plug                                      | 46-0412  | 1    | 84     | Pressure Regulation Spring             | 49-0109  | 1    |
| 17                     | Plug                          | 39-0082  | 1    | 51     | O-ring                                    | 25-0334  | 1    | 85     | Washer                                 | 46-0648  | 1    |
| 18                     | Rear Bearing Disc             | 48-0047  | 1    | 52     | No Return Valve                           | 46-0626  | 1    | 86     | Pressure Regulation Screw              | 46-0623  | 1    |
| 19                     | Bearing                       | 48-0048  | 1    | 53     | Spring                                    | 49-0110  | 1    | 87     | Screw Support                          | 27-8853  | 1    |
| 20                     | Front Bearing Disc            | 48-0049  | 1    | 54     | Injector Body                             | 46-0620  | 1    | 88     | Bolt                                   | 27-8810  | 1    |
| 21                     | Pump Housing                  | 46-0806  | 1    | 55     | Injector Nozzle                           | 46-0415  | 1    | 89     | Internal Screw                         | 27-8852  | 1    |
| 22                     | Piston Spring Retainer        | 46-0362  | 3    | 56     | O-ring                                    | 25-0263  | 2    | 90     | Pressure Regulation Knob               | 7-0091   | 1    |
| 23                     | Piston                        | 46-0578  | 3    | 57     | Pressure Outlet                           | 46-0828  | 1    | 91     | Screw                                  | 27-8086  | 1    |
| 24                     | Piston Spring                 | 49-0081  | 3    | 58     | Spring (See 70-0005)                      | N/A Sep. | 1    | 92     | Cap                                    | 7-0088   | 1    |
| 25                     | O-ring                        | 25-0477  | 1    | 59     | Ball (See 70-0005)                        | N/A Sep. | 1    |        | Oil Drain Plug (Inc. 27, 28)           | 70-0083  |      |
| 26                     | Oil Sight Glass               | 39-0117  | 1    | 60     | O-ring (See 70-0005)                      | N/A Sep. | 1    |        | Oil Seal (Inc. 3 each 32)              | 70-0001  |      |
| 27                     | Gasket                        | 26-0168  | 2    | 61     | Injector Nipple                           | 46-0417  | 1    |        | Unloader Seat (Inc. 6, 46-50)          | 70-0110  |      |
| 28                     | Oil Drain Plug                | 39-0065  | 1    | 62     | Injector Spring                           | 49-0088  | 1    |        | Unloader Stem (Inc. 6, 49, 63, 76-91)  | 70-0120  |      |
| 29                     | Lockwasher                    | 29-0154  | 4    | 63     | O-ring (See 70-0120)                      | N/A Sep. | 2    |        | Injector Assembly (Inc. 49, 51-66)     | 70-0005  |      |
| 30                     | Bolt                          | 27-8194  | 4    | 64     | Injector Piston                           | 46-0418  | 1    |        | Injector Repair (Inc. 58-60, 63)       | 852-0056 |      |
| 31                     | Plug                          | 39-0098  | 1    | 65     | Flexible Ring                             | 25-0277  | 1    |        | V-Packing Kit (Inc. 3 each 33, 34, 36) | 70-0231  |      |
| 32                     | Oil Seal (See 70-0001)        | N/A Sep. | 3    | 66     | Inejctor Regulation Knob                  | 46-0469  | 1    |        | Valve Kit (Inc. 6 each 38, 39)         | 70-0235  |      |
| 33                     | O-ring (See 70-0231)          | N/A Sep. | 3    | 67     | Injector Regulation Knob                  | 46-0469  | 1    |        |  |          |      |
| 34                     | O-ring (See 70-0231)          | N/A Sep. | 3    | 68     | Inlet Connector                           | 46-0808  | 1    |        |  |          |      |

# GUN/WAND ASSEMBLY (16-0364)

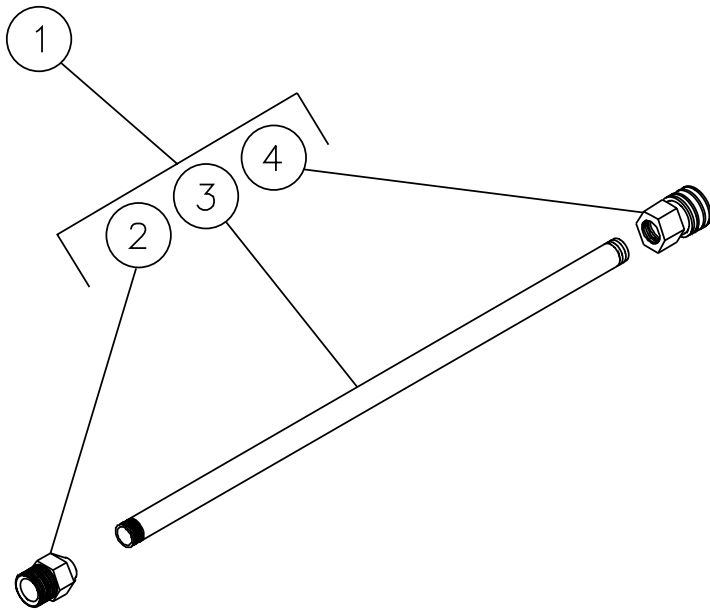


16-0364-103101-RD



| GUN/WAND ASSEMBLY (16-0364) |                       |          |      |  |        |  |         |      |
|-----------------------------|-----------------------|----------|------|--|--------|--|---------|------|
| REF. #                      | DESCRIPTION           | PART #   | QTY. |  | REF. # | DESCRIPTION                            | PART #  | QTY. |
| 1                           | Gun Body (Right Side) | 16-0367  | 1    |  | 11     | Trigger Lock                           | 16-0372 | 1    |
| 2                           | Gun Body (Left Side)  | 16-0368  | 1    |  | 12     | Trigger                                | 16-0373 | 1    |
| 3                           | Screw                 | 27-8862  | 6    |  | 13     | Seat                                   | 26-0238 | 1    |
| 4                           | Adapter               | 23-0384  | 1    |  | 14     | Brass Body Outlet                      | 16-0374 | 1    |
| 5                           | Pipe (See 70-0287)    | N/A Sep. | 1    |  | 15     | Gripping Area (Plastic)                | 16-0375 | 1    |
| 6                           | Brass Body Inlet      | 16-0370  | 1    |  | 16     | Pipe                                   | 16-0376 | 1    |
| 7                           | Spring                | 49-0141  | 1    |  | 17     | Screw Connect Coupling                 | 16-0377 | 1    |
| 8                           | O-ring                | 25-0363  | 2    |  |        | Inlet Kit (Includes 4-6)               | 70-0288 |      |
| 9                           | Back-up Ring          | 25-0416  | 2    |  |        | Shutter Valve Kit (Includes 7-10)      | 70-0289 |      |
| 10                          | Valve                 | 16-0371  | 1    |  |        | Complete Gun/Wand Assembly (Inc. 1-17) | 16-0364 |      |

## LANCE ASSEMBLY (16-0366)



16-0366-102700-RD

| <b>LANCE ASSEMBLY (16-0366)</b> |                           |               |             |
|---------------------------------|---------------------------|---------------|-------------|
| <b>REF. #</b>                   | <b>DESCRIPTION</b>        | <b>PART #</b> | <b>QTY.</b> |
| 1                               | Complete Lance (Inc. 2-4) | 16-0366       | 1           |
| 2                               | Coupling                  | 16-0378       | 1           |
| 3                               | Pipe                      | 16-0379       | 1           |
| 4                               | Quick Connect             | 17-0001       | 1           |

16-0366-102700-RD

---

## NOTES

