

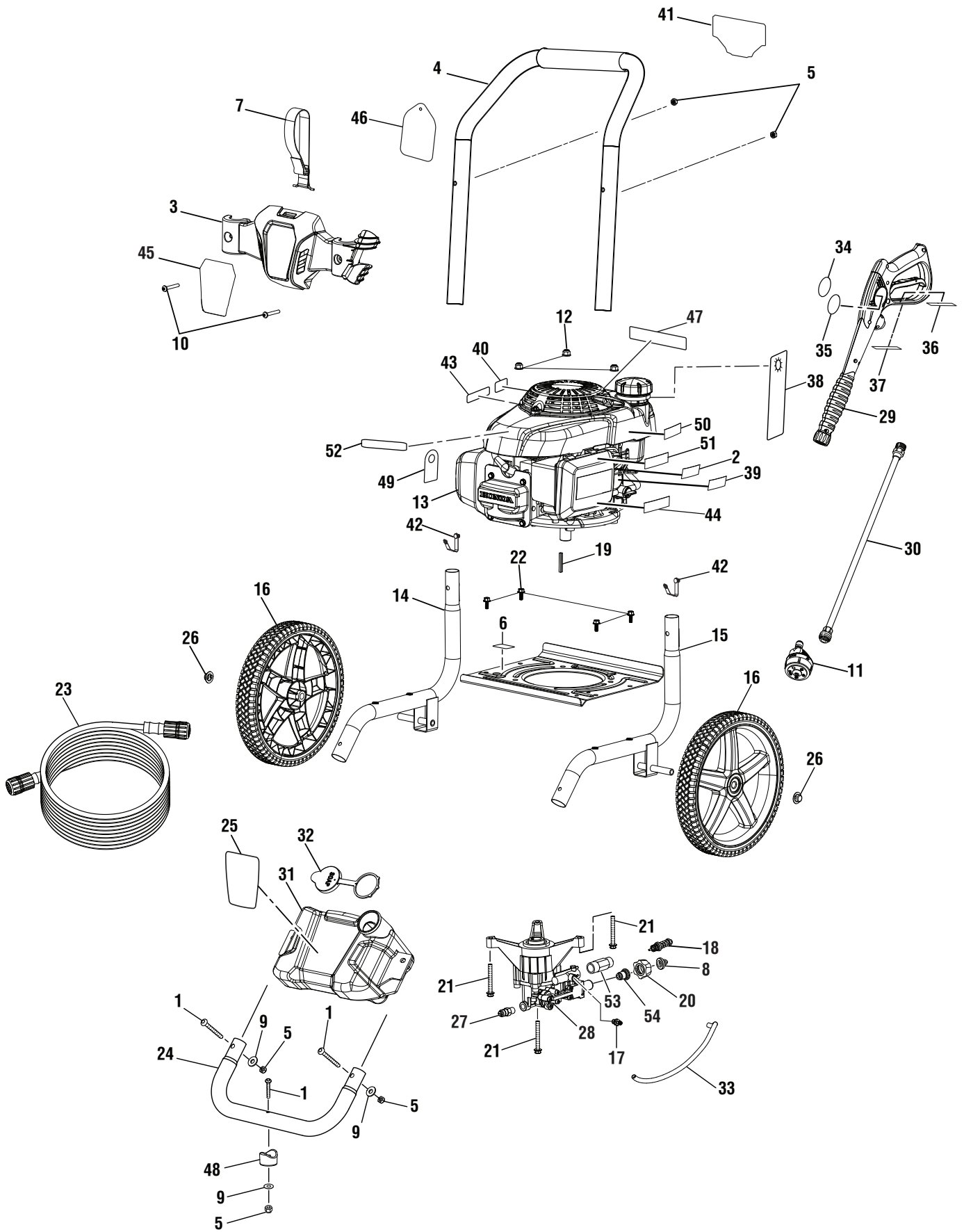


**Pressure Washer  
Manufacturing No. 090079398  
Item No. RY803001  
Replacement Parts List**

**TECHTRONIC INDUSTRIES POWER EQUIPMENT**

1428 Pearman Dairy Road, Anderson, SC 29625 USA  
1-800-860-4050 • [www.ryobitools.com](http://www.ryobitools.com)

RYOBI PRESSURE WASHER MODEL NO. RY803001



## RYOBI PRESSURE WASHER MODEL NO. RY803001

The model number will be found on a label attached to the engine plate. Always mention the model number in all correspondence regarding your **PRESSURE WASHER** or when ordering replacement parts.

KEY PART NO. NUMBER	DESCRIPTION	QTY	KEY PART NO. NUMBER	DESCRIPTION	QTY
1	661503015 Screw (M6 x 48 mm, T30 Torx Hd.).....	3	29	308760019 Trigger Handle Assembly (Inc. Keys Nos. 35-37).....	1
2	941550005 Engine On/Off Label.....	1	30	308506014 Extension Wand .....	1
3	310673036 Hose and Nozzle Holder .....	1	31	580875014 Soap Tank .....	1
4	308638060 Handle w/Foam.....	1	32	310650004 Soap Tank Cap.....	1
5	678610006 Lock Nut (M6).....	5	33	570728009 Chemical Siphon Tube .....	1
6	940871016 Oil Fill Location Label.....	1	34	940786035 Trigger Handle Logo Label.....	1
7	308350003 Hose Holder Strap.....	1	35	940654084 Trigger Handle Warning Label (Eng).....	1
8	308662001 Filter Screen (Pump Inlet).....	1	36	940654228 Trigger Handle Warning Label (Fr/Sp) ..	1
9	638128004 Washer (1/4 in.) .....	3	37	940786047 Trigger Handle Rating Label.....	1
10	661834004 Bolt (M6 x 42 mm, Torx Pan Hd.).....	2	38	940851346 Danger Hangtag .....	1
11	310448012 5-in-1 Nozzle.....	1	39	940698019 Engine Control Label.....	1
12	678774002 Flange Nut (M8 x 1.25).....	3	40	940947010 Combustion Label.....	1
13	Note A Engine (Honda GCV 160, 160cc OHC Vertical).....	1	41	940851345 Quick Start Label.....	1
14	310703012 Main Frame Assembly (Left, Inc. Key No. 42).....	1	42	308421004 Lock Button w/Spring Clip.....	2
15	310704013 Main Frame Assembly (Right, Inc. Key No. 42) .....	1	43	940680027 Hot Surface Label .....	1
16	308451053 Wheel .....	2	44	940803288 EMC Label.....	1
17	308452002 Detergent Suction Kit.....	1	45	940617189 Performance Label.....	1
18	310924003 Pump Unloader Valve.....	1	46	941609001 Nozzle Hangtag.....	1
19	678041007 Output Shaft Key (40 mm).....	1	47	940851343 Danger Label.....	1
20	310993003 Collar .....	1	48	570554002 Wear Pad.....	1
21	660962003 Bolt (M8 x 60 mm, Flange Hd.) .....	3	49	961454001 Dipstick Hangtag.....	1
22	661505020 Bolt (M6 x 16 mm).....	4	50	940872003 No E85 Label.....	1
23	308835094 Hose (35 ft.).....	1	51	941486008 Inquiries Label .....	1
24	310742028 Front Frame (Inc. Key Nos. 1, 5, 9 & 48).....	1	52	941714004 Honda Brand Label .....	1
25	940608020 Detergent Tank Label .....	1	53	308862003 Outlet Tube.....	1
26	679957001 Push Cap Nut (1/2 in.).....	2	54	642058001 Spindle .....	1
27	678169004 Thermal Release Valve .....	1	<b>Not Shown:</b>		
28	308653093 Pump (Inc. Keys Nos 8, 17-18, 20 & 53-54) ...	1	995000369	Operator's Manual	
			995000370	Quick Start Guide	
			900333015	Wire Tie	
			519314001	Funnel	

**NOTE A:** OWT Industries, Inc., will not provide engines as replacement parts. Engines are covered through the engine manufacturer's warranty. Consult the accompanying engine manual or contact our service department for assistance.