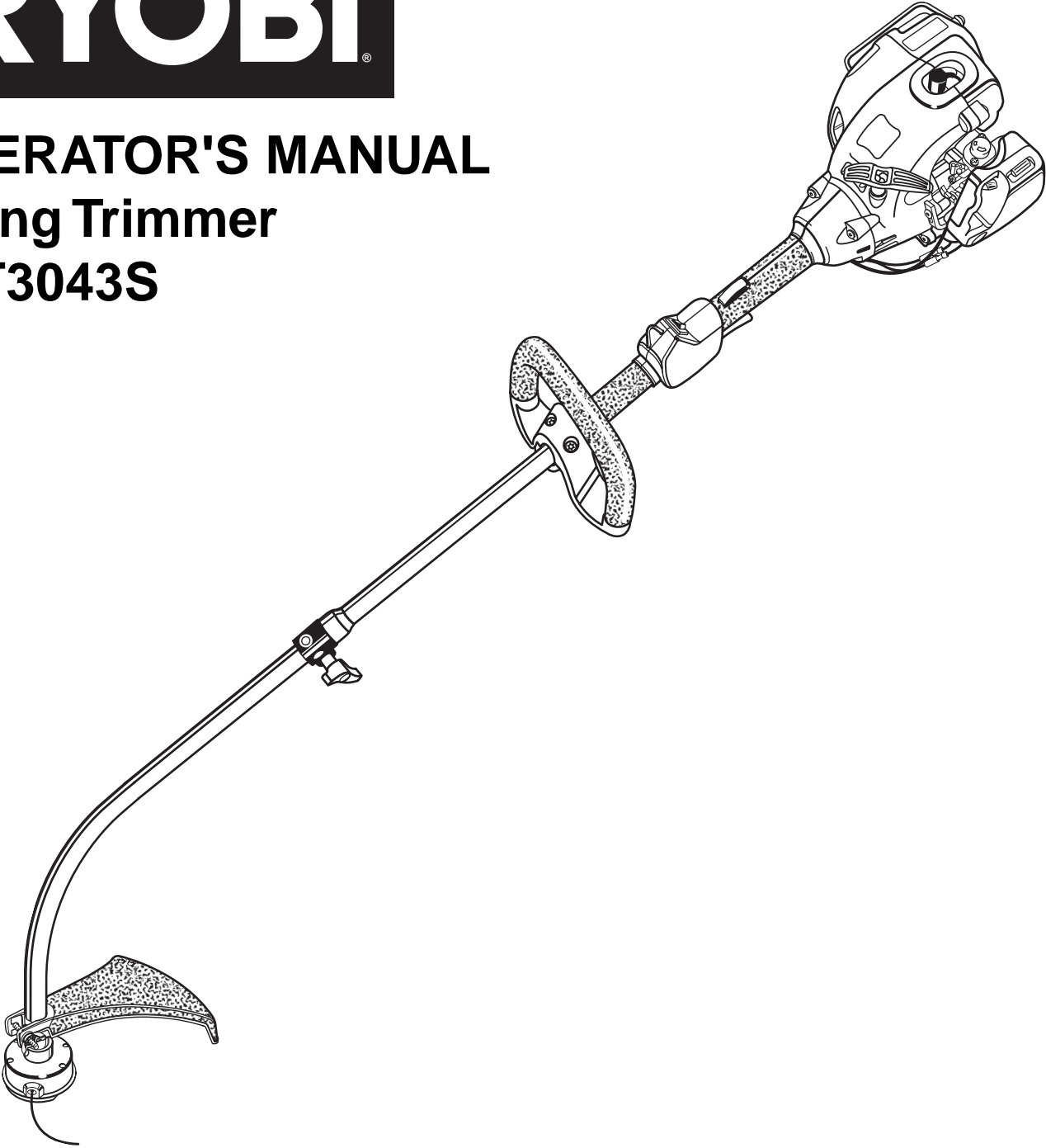




OPERATOR'S MANUAL
String Trimmer
PLT3043S



Your new trimmer has been engineered and manufactured to Ryobi's high standard for dependability, ease of operation, and operator safety. Properly cared for, it will give you years of rugged, trouble-free performance.

⚠ WARNING: To reduce the risk of injury, the user must read and understand the operator's manual before using this product.

Thank you for buying a Ryobi trimmer.

SAVE THIS MANUAL FOR FUTURE REFERENCE

TABLE OF CONTENTS

■ Safety	2 - 3
■ Symbols	4 - 5
■ Technical Data	5
■ Unpacking	6
■ Features	6
■ Assembly	7 - 9
■ Operation	10 - 12
■ Maintenance	13 - 15
■ Troubleshooting	16 - 17
■ Safety Directive	17
■ Warranty	18

SAFETY



WARNING:

Do not attempt to operate this trimmer until you thoroughly read and completely understand all instructions, safety rules, etc. contained in this manual. Failure to comply can result in accidents involving fire, electric shock, or serious personal injury. Save operator's manual and review frequently for continuing safe operation, and instructing others who may use this tool.

READ ALL INSTRUCTIONS

GENERAL SAFETY RULES

- For safe operation, read and understand all instructions before using the trimmer. Follow all safety instructions. Failure to follow all safety instructions listed below, can result in serious personal injury.
- Do not allow children or untrained individuals to use this unit.
- Never start or run the engine in a closed or poorly ventilated area; breathing exhaust fumes can kill.
- Clear the work area before each use. Remove all objects such as rocks, broken glass, nails, wire, or string which can be thrown or become entangled in the string head.
- Wear full eye and hearing protection while operating this unit.
- Wear heavy long pants, boots, and gloves. Do not wear loose fitting clothing, short pants, jewelry of any kind, or go barefoot.

SAFETY

- Secure long hair so it is above shoulder level to prevent entanglement in any moving parts.
- Keep all bystanders, children, and pets at least 15 m (50 ft.) away.
- Do not operate this unit when you are tired, ill, or under the influence of alcohol, drugs, or medication.
- Do not operate in poor lighting.
- Keep firm footing and balance. Do not overreach. Overreaching can result in loss of balance or exposure to hot surfaces.
- Keep all parts of your body away from any moving part.
- Do not touch areas around the muffler or cylinder of the trimmer, these parts get hot from operation.
- Always stop the engine and remove the spark plug wire before making any adjustments or repairs except for carburetor adjustments.
- Inspect the unit before each use for loose fasteners, fuel leaks, etc. Replace any damaged parts before use.
- The string head will rotate during carburetor adjustments.
- It has been reported that vibrations from hand-held tools may contribute to a condition called Raynaud's Syndrome in certain individuals. Symptoms may include tingling, numbness and blanching of the fingers, usually apparent upon exposure to cold. Hereditary factors, exposure to cold and dampness, diet, smoking and work practices are all thought to contribute to the development of these symptoms. It is presently unknown what, if any, vibrations or extent of exposure may contribute to the condition. There are measures that can be taken by the operator to possibly reduce the effects of vibration:
 - a) Keep your body warm in cold weather. When operating the unit wear gloves to keep the hands and wrists warm. It is reported that cold weather is a major factor contributing to Raynaud's Syndrome.

- b) After each period of operation, exercise to increase blood circulation.
- c) Take frequent work breaks. Limit the amount of exposure per day.
- d) Keep the tool well maintained, fasteners tightened and worn parts replaced.

If you experience any of the symptoms of this condition, immediately discontinue use and see your physician about these symptoms.







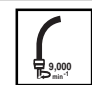





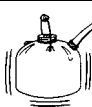

- Mix and store fuel in a container approved for gasoline.
- Mix fuel outdoors where there are no sparks or flames. Wipe up any fuel spillage. Move 9 m (30 ft.) away from refueling site before starting engine.
- Stop the engine and allow to cool before refueling or storing the unit.
- Allow the engine to cool; empty the fuel tank and secure the unit from moving before transporting in a vehicle.

SPECIFIC SAFETY RULES FOR TRIMMER USE

- Replace string head if cracked, chipped, or damaged in any way. Be sure the string head is properly installed and securely fastened. Failure to do so can cause serious injury.
- Make sure all guards, straps, deflectors and handles are properly and securely attached.
- Use only the manufacturer's replacement string in the cutting head. Do not use any other cutting attachment.
- Never operate unit without the grass deflector in place and in good condition.
- Maintain a firm grip on both handles while trimming. Keep string head below waist level. Never cut with the string head located over 76 cm (30 in.) or more above the ground.
- The cutting attachment should stop turning when the engine idles because it is equipped with a clutch. If the cutting attachment continues to turn when the engine idles, contact a service dealer for repair.

SYMBOLS

Important: Some of the following symbols may be used on your tool. Please study them and learn their meaning. Proper interpretation of these symbols will allow you to operate the tool better and safer.

SYMBOL	NAME	EXPLANATION
	Safety Alert Symbol	Indicates danger, warning or caution. It means attention!!! Your safety is involved.
	Read Your Operator's Manual	Your manual contains special messages to bring attention to potential safety concerns as well as operating and servicing information. Please read all the information carefully to assure satisfaction and safe use.
	Wear eye and hearing protection.	Wear eye and hearing protection when operating this equipment.
	Keep bystanders away.	Keep all bystanders at least (15 m) 50 feet away.
	Ricochet.	Danger of Ricochet.
	No blade.	Do not install any type of blade on this unit.
	RPM Decal	Rotational direction and maximum speed of the shaft for the cutting attachment.
	Boots	Wear non-slip safety footwear when using this equipment.
	Gloves	Wear non-slip, heavy-duty gloves.
	No Smoking	Do not smoke when mixing fuel or filling fuel tank.
	Gasoline	Use unleaded gasoline intended for automotive use with an octane rating of 87 ([R + M] / 2) or higher.
	Oil	Use 2-cycle oil for air cooled engines.
	Mix Gasoline and Oil	Mix the fuel mix thoroughly and also each time before fueling.
	Switch	On/Off Switch I = ON to Run O = OFF to Stop

SYMBOLS

The purpose of safety symbols is to attract your attention to possible dangers. The safety symbols, and the explanations with them, deserve your careful attention and understanding. The safety warnings do not by themselves eliminate any danger. The instructions or warnings they give are not substitutes for proper accident prevention measures.

SYMBOL MEANING



DANGER: Indicates an imminently hazardous situation which, if not avoided, will result in death or serious injury.



WARNING: Indicates a potentially hazardous situation which, if not avoided, could result in death or serious injury.



CAUTION: Indicates a potentially hazardous situation which, if not avoided, may result in minor or moderate injury. It may also be used to alert against unsafe practices that may cause property damage.

NOTE: Advises you of information or instructions vital to the operation or maintenance of the equipment.

SAVE THESE INSTRUCTIONS

TECHNICAL DATA

Weight	Without fuel and string head	4.07 Kg
	Without fuel, w/string head	5.09 Kg
Fuel tank volume		42.5 cm ³
Cutting swath		432 mm
Engine displacement		30 cm ³
Maximum engine performance (in accordance with ISO 8893)		0.78 kW
Maximum rotational frequency of the spindle		9000 min ⁻¹
Engine Speed (rotational frequency) at recommended max. spindle rotational frequency		12500 min ⁻¹
Engine speed (rotational frequency) at idle		2800 - 3200 min ⁻¹
Fuel consumption (in accordance with ISO 8893) at max. engine performance		0.52 kg/h
Specific fuel consumption (in accordance with ISO 8893) at max. engine performance		0.47 kg/h
Vibration level idling -	Front Handle	3.7 m/s ²
	Rear Handle	2.7 m/s ²
Vibration level racing	Front Handle	11.0 m/s ²
	Rear Handle	8.1 m/s ²
Sound pressure level (in accordance with EN ISO 11806:1997, ISO 7917:1987)		101 LpA (dBA)
Sound power level (in accordance with ISO 10884)		108 LwA (dBpA)

UNPACKING

INSTRUCTIONS

- Carefully remove the product from the carton.
- Inspect the product to make sure no breakage or damage occurred during shipping.
- Do not discard the packing material until you have inspected and operated the product.

PACKING LIST FOR OWNER'S KIT

- Grass deflector
- Front handle
- Muffler guard, torx wrench and screws
- Hardware
- Operator's manual

FEATURES

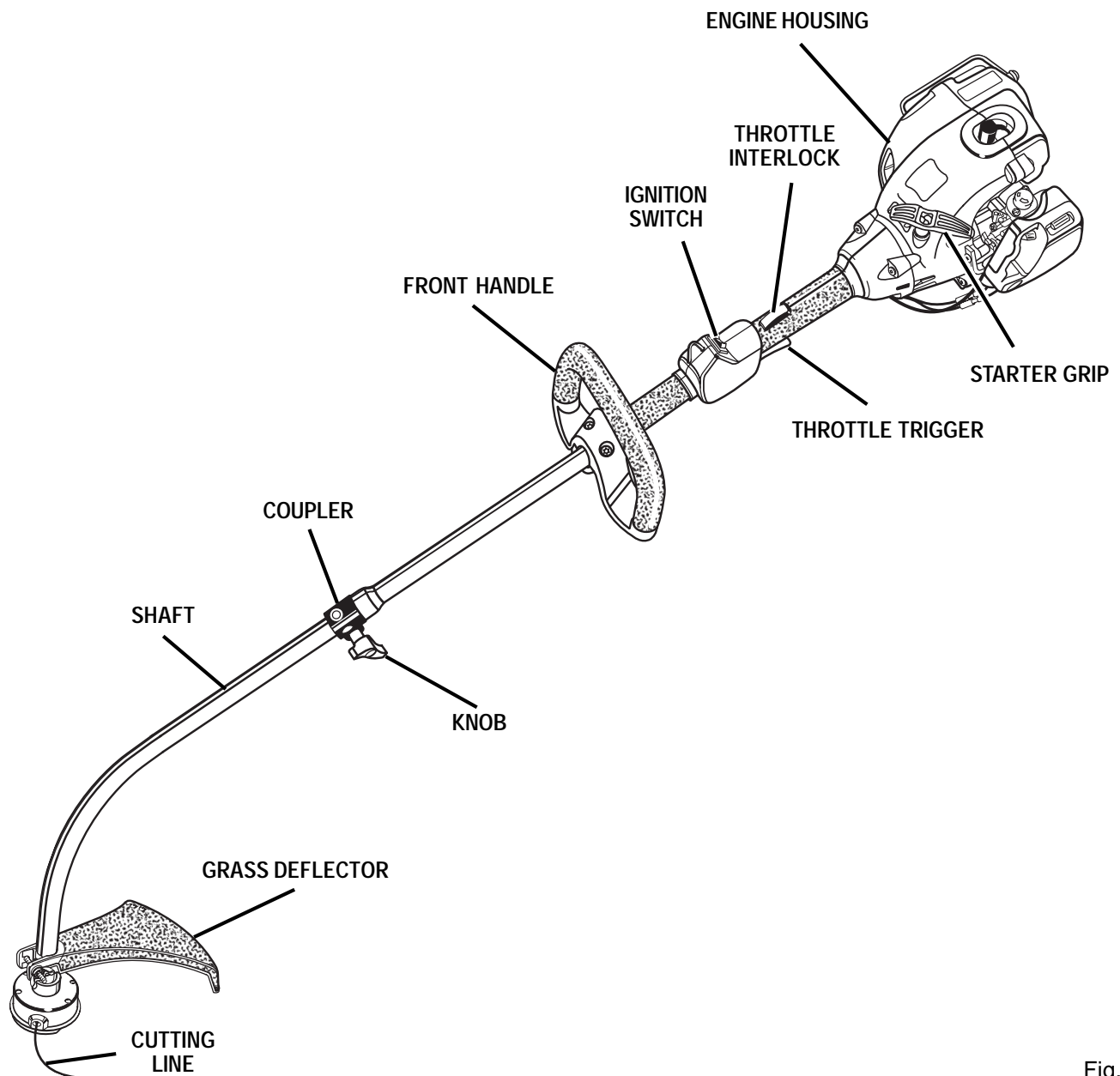


Fig. 1

ASSEMBLY

ATTACHING THE POWER HEAD TO THE TRIMMER ATTACHMENT

See Figure 2.

⚠ WARNING:

Never attach or adjust any attachment while power head is running. Failure to stop the engine can cause serious personal injury.

The trimmer attachment connects to the power head by means of a coupler device.

1. Loosen the knob on the coupler of the power head shaft and remove the end cap from the attachment.
2. Push in the button located on the trimmer attachment shaft. Align the button with the guide recess on the power head coupler and slide the two shafts together. Rotate the trimmer attachment shaft until the button locks into the positioning hole.

NOTE: If the button does not release completely in the positioning hole, the shafts are not locked into place. Slightly rotate from side to side until the button is locked into place.

3. Tighten the knob securely.

⚠ WARNING:

Be certain the knob is fully tightened before operating equipment; check it periodically for tightness during use to avoid serious injury.

REMOVING THE ATTACHMENT FROM THE POWER HEAD

For removing or changing the attachment:

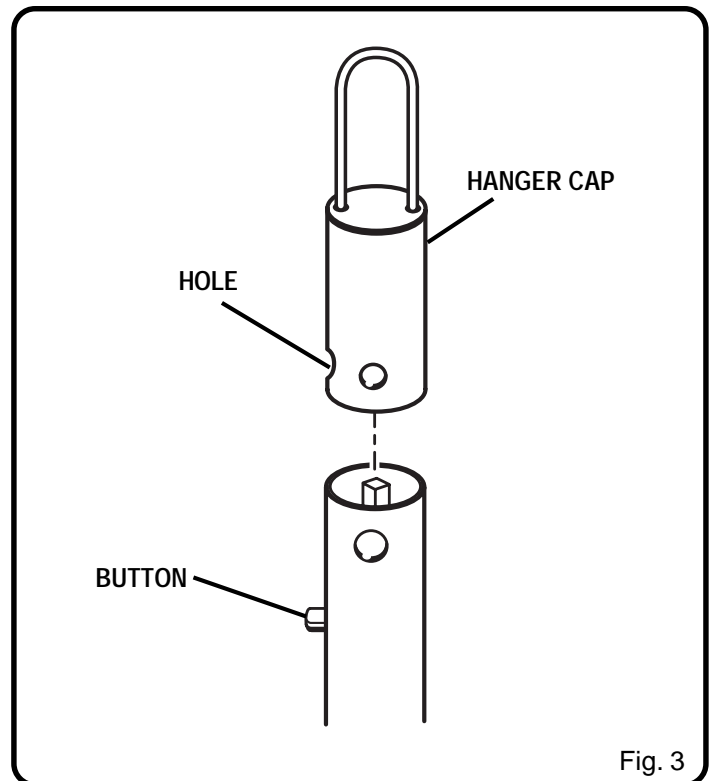
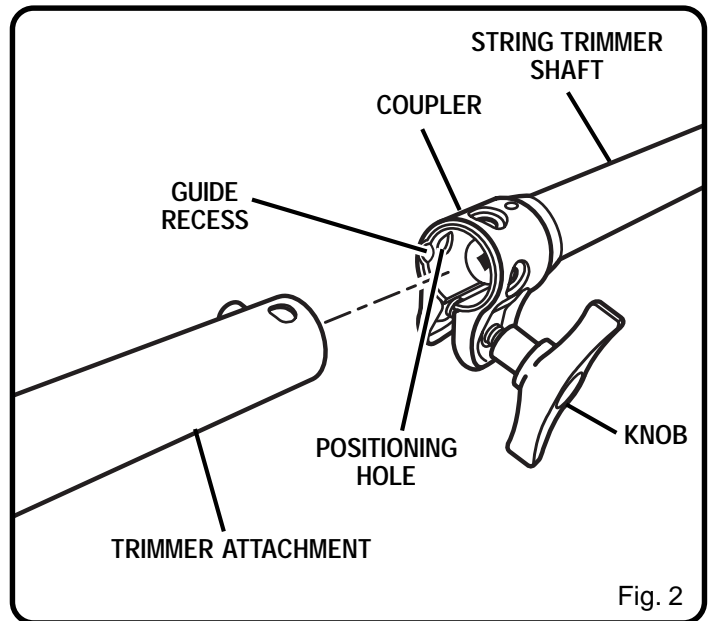
1. Loosen the knob.
2. Push in the button and twist the shafts to remove and separate ends.

ATTACHING THE STORAGE HANGER

See Figure 3.

There are two ways to hang your attachment for storage.

- To use the hanger cap, push in the button and place the hanger cap over end of the lower end attachment shaft. Slightly rotate the cap from side to side until the button locks into place.
- The secondary hole in the attachment shaft can be used for hanging purposes as well.



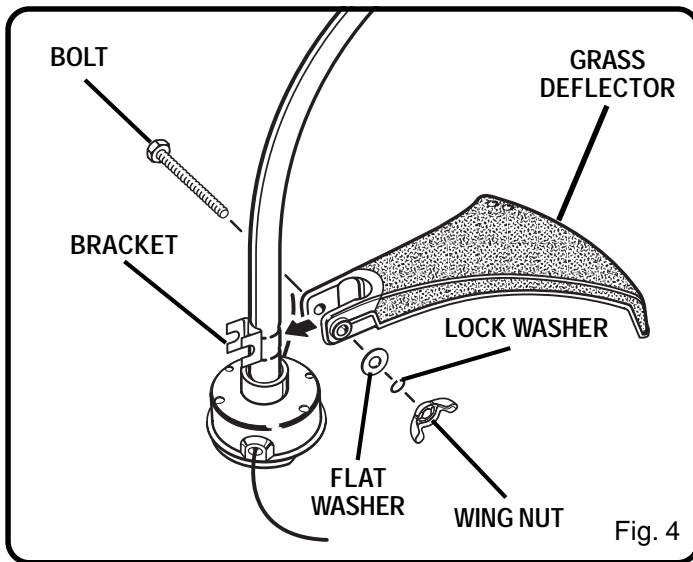
ASSEMBLY

ASSEMBLY INSTRUCTIONS:

GRASS DEFLECTOR

See Figure 4.

1. Remove wing nut, flat washer, lock washer, and bolt from the Owner's Kit.
2. Place grass deflector over shaft and bracket.
3. Install bolt through the slots in the tabs on grass deflector and bracket on driveshaft housing.
4. Install flat washer, lock washer and wing nut.
5. Tighten Securely.

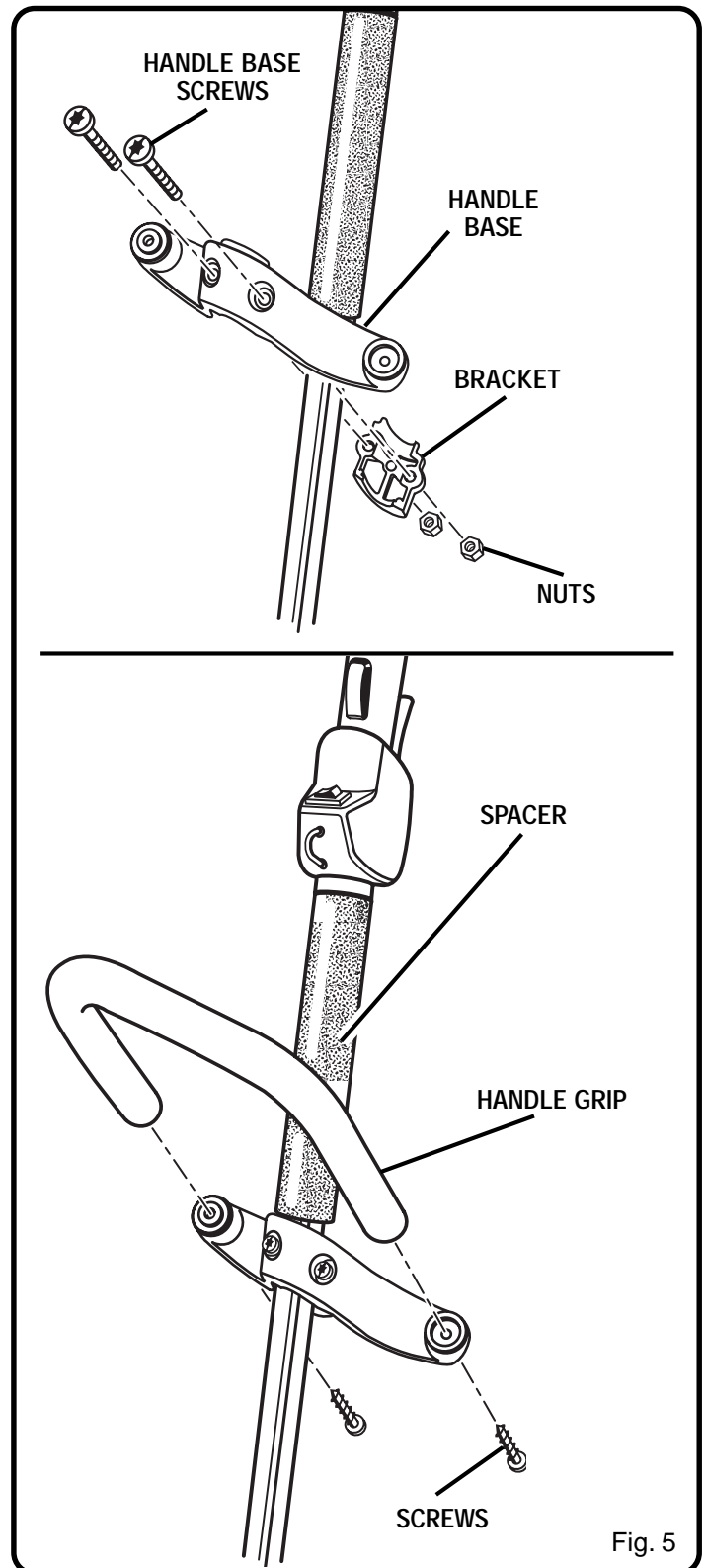


FRONT HANDLE

See Figure 5.

1. Place the handle base and the bracket on the driveshaft housing below the spacer.
2. Install the two handle base screws and nuts, but do not tighten completely.
3. Place the handle grip onto the handle base and install the two screws. Tighten securely.
4. Adjust the position of the handle for best balance and comfort.
5. Tighten the two handle base screws securely.

NOTE: Do not attempt to remove or modify the spacer. This spacer limits the upper position of the handle grip. See Figure 5.



ASSEMBLY

MUFFLER GUARD ASSEMBLY

See Figure 6.

1. Remove muffler guard and two screws from the owner's kit.
2. Attach the muffler guard to the rear housing.

NOTE: Make sure the bent end of the muffler guard fits securely into the opening of the rear housing.

3. Using the torx wrench supplied, install the two screws and tighten securely.

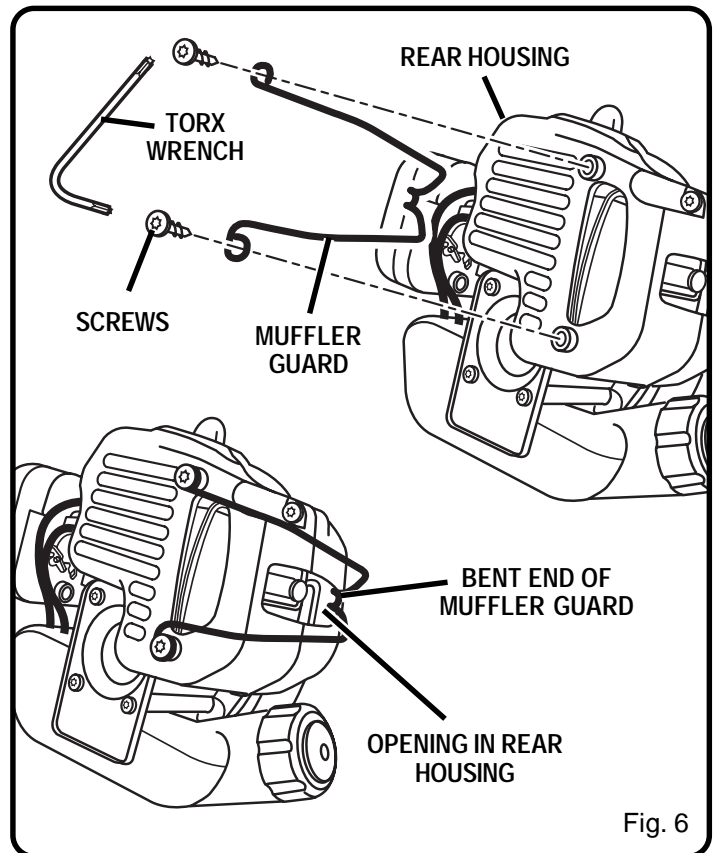


Fig. 6

OPERATION

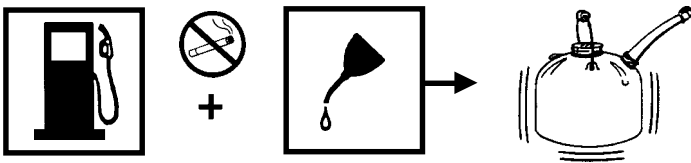
FUEL AND REFUELING

HANDLING THE FUEL SAFELY

- Always handle fuel with care, it is highly flammable.
- Always refuel outdoors where there are no sparks and flames. Do not inhale fuel vapors.
- Do not let gasoline or oil come in contact with your skin.
- Keep gasoline and oil away from the eyes. If gasoline or oil comes in contact with the eyes, wash them immediately with clean water. If irritation is still present, see a doctor immediately.
- Clean up spilled fuel immediately.

MIXING THE FUEL

- This product is powered by a 2-cycle engine and requires pre-mixing gasoline and 2-cycle oil. Pre-mix unleaded gasoline and 2-cycle engine oil in a clean container approved for gasoline.
- This engine is certified to operate on unleaded gasoline intended for automotive use with an octane rating of 87 ($[R + M] / 2$) or higher.
- Do not use any type of pre-mixed gasoline/oil from fuel service stations, this includes the pre-mixed gasoline/oil intended for use in mopeds, motorcycles, etc.
- Use high a quality 2-cycle self mixing oil for air cooled engines. Do not use automotive oil or 2-cycle outboard oil.
- Mix 2% oil into the gasoline. This is a 50:1 ratio.
- Mix the fuel thoroughly and also each time before fueling.
- Mix in small quantities. Do not mix quantities larger than usable in a 30 day period. A 2-cycle oil containing a fuel stabilizer is recommended.



FILLING THE TANK

1. Clean surface around fuel cap to prevent contamination.
2. Loosen fuel cap slowly to release pressure and to keep fuel from escaping around the cap.
3. Carefully pour fuel mixture into the tank. Avoid spillage.
4. Prior to replacing the fuel cap, clean and inspect the gasket.
5. Immediately replace fuel cap and hand tighten. Wipe up any fuel spillage. Move 9 m (30 ft.) away from refueling site before starting engine.

NOTE: It is normal for smoke to be emitted from a new engine during and after first use.

⚠ WARNING

Always shut off engine before fueling. Never add fuel to a machine with a running or hot engine. Move at least 9 m (30 ft.) from refueling site before starting engine. Do not smoke!



1 Litre	+	20 ml	=	} 50:1
2 Litres	+	40 ml	=	
3 Litres	+	60 ml	=	
4 Litres	+	80 ml	=	
5 Litres	+	100 ml	=	

OPERATING THE TRIMMER

See Figure 7.

Hold the trimmer with the right hand on the rear handle and the left hand on the front handle. Keep a firm grip with both hands while in operation. Trimmer should be held at a comfortable position with the rear handle about hip height. Always operate trimmer at full throttle. Cut tall grass from the top down. This will prevent grass from wrapping around the driveshaft housing and string head which may cause damage from overheating. If grass becomes wrapped around the string head, stop the engine, disconnect the spark plug wire, and remove the grass. Prolonged cutting at partial throttle will result in oil dripping from the muffler.



Fig. 7

OPERATION

ADVANCING THE STRING

ADVANCING STRING USING THE EZ LINE™ TAP ADVANCE SYSTEM

String advance is controlled by tapping string head on grass while running engine at full throttle.

1. Run engine at full throttle.
2. Tap string head on ground to advance string. String advances each time the head is tapped.
3. Several taps may be required until string strikes the cut off blade.
4. Resume trimming.

NOTE: If the string is worn too short you may not be able to advance the string by tapping it on the ground. If so, STOP THE ENGINE, and manually advance the string.

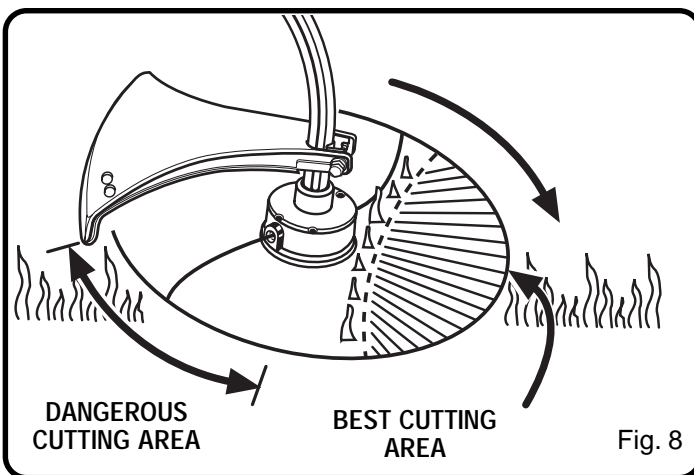
ADVANCING THE STRING MANUALLY

Push the spool retainer down while pulling on string(s) to manually advance the string.

CUTTING TIPS

See Figure 8.

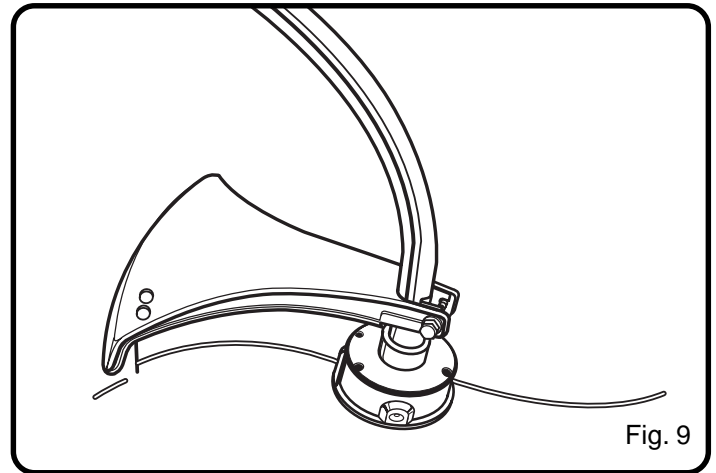
- Keep the trimmer tilted toward the area being cut; this is the best cutting area.
- Do not cut in dangerous cutting area.
- Use the tip of string to do the cutting; do not force string head into uncut grass.
- Wire and picket fences cause extra string wear, even breakage. Stone and brick walls, curbs, and wood may wear string rapidly.
- Avoid trees and shrubs. Tree bark, wood moldings, siding, and fence posts can easily be damaged by the string.



GRASS DEFLECTOR LINE TRIMMING CUT-OFF BLADE

See Figure 9.

This trimmer is equipped with a line trimming cut-off blade on the grass deflector. For best cutting, advance string until it is trimmed to length by the cut-off blade. Advance string whenever you hear the engine running faster than normal. This will maintain best performance and keep string long enough to advance properly.



OPERATION

STARTING AND STOPPING

See Figures 10 and 11.

⚠ WARNING:

Never start or run the engine inside a closed or poorly ventilated area; breathing exhaust fumes can kill.

TO START A COLD ENGINE:

1. Lay trimmer on a flat, bare surface. Move switch to “I” (RUN) position.

NOTE: Unit is equipped with a positive on-off switch, make sure switch is in the “I” (RUN) position before starting the unit.

2. Push primer bulb **8 to 10 times**.
3. Set choke lever to choke position (H).
4. Depress interlock, squeeze trigger and pull starter rope until engine tries to run. (No more than 6 pulls.)
5. Set choke lever to half choke position (H/).
6. Hold trigger and pull starter rope until engine runs.
7. Run engine 30 to 45 seconds at full throttle (with trigger depressed fully) on half choke position (H/) to warm up. Move choke lever to run position (R).

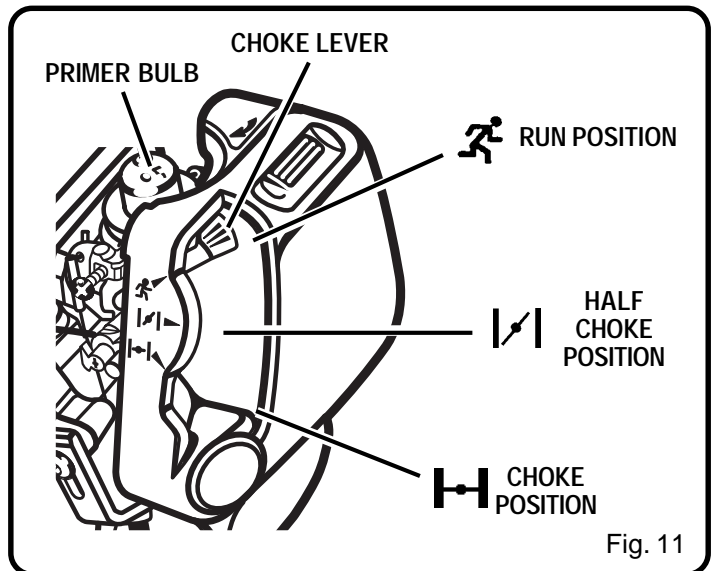
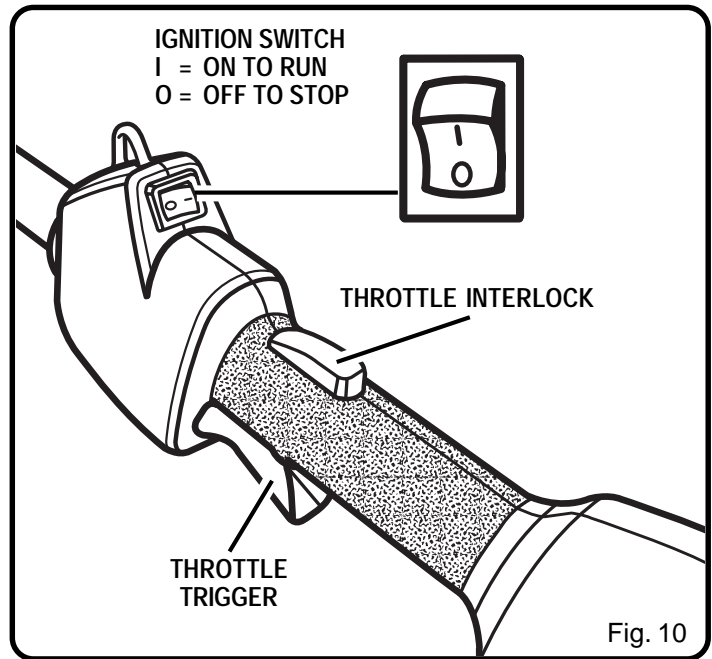
TO START A WARM ENGINE:

1. Move choke lever to run position (R).
2. Hold trigger and pull starter rope until engine runs.

TO STOP THE ENGINE:

To stop the engine, depress the switch to “O” position.

NOTE: Be sure to return the stop switch to the “I” (RUN) position before trying to start unit.



MAINTENANCE



WARNING:

Use only original manufacturer's replacement parts, accessories and attachments. Failure to do so can cause possible injury, poor performance and may void your warranty.

- You may make adjustments and repairs described here. For other repairs, have the trimmer serviced by an authorized service dealer.
- Consequences of improper maintenance may include excess carbon deposits resulting in loss of performance and discharge of black oily residue dripping from the muffler.
- Make sure all guards, straps, deflectors and handles are properly and securely attached to avoid the risk of personal injury.

SPOOL REPLACEMENT

EZ LINE™ TAP ADVANCE SYSTEM

NEW PREWOUND SPOOL

See Figures 12 and 13.

If replacing string only, refer to "String Replacement" later in this manual.

Use only 2.0 mm (.080 in.) diameter monofilament string. Use the manufacturer's replacement string for best performance.

1. Stop the engine, disconnect the spark plug wire. Hold the string head and unscrew the spool retainer. Turn counterclockwise.
2. Remove the empty spool from the string head. Keep the spring attached to the spool.
3. To install the new spool, make sure the two strings are captured in the slots opposite each other on the new spool. Make sure the ends of each string is extended approximately 152 mm (6 in.) beyond each slot.
4. Thread the strings into the eyelets in the string head. Carefully push the spool into the string head (gently pull the strings to the outside if necessary). When the spool is positioned in the string head, grasp the strings and pull sharply to release them from the slots in the spool.
5. Push down and turn the spool counterclockwise until it no longer turns. Hold the spool down and rotate clockwise a small amount. Release the spool. The spool should be locked down in the string head. If not, hold down and rotate until locked.

6. Make sure the string head and the spool retainer are installed on the drive shaft by turning the retainer clockwise to tighten.
7. Pull the strings again to rotate the spool into cutting position. Push the spool retainer down while pulling on string(s) to manually advance the string and to check for proper assembly of the string head.

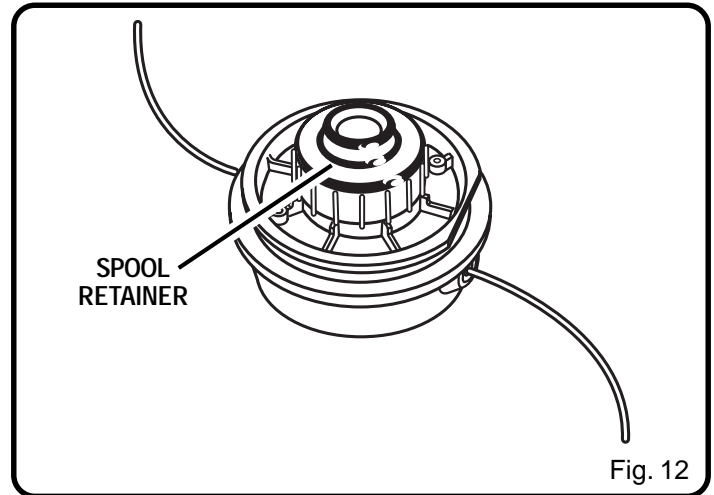


Fig. 12

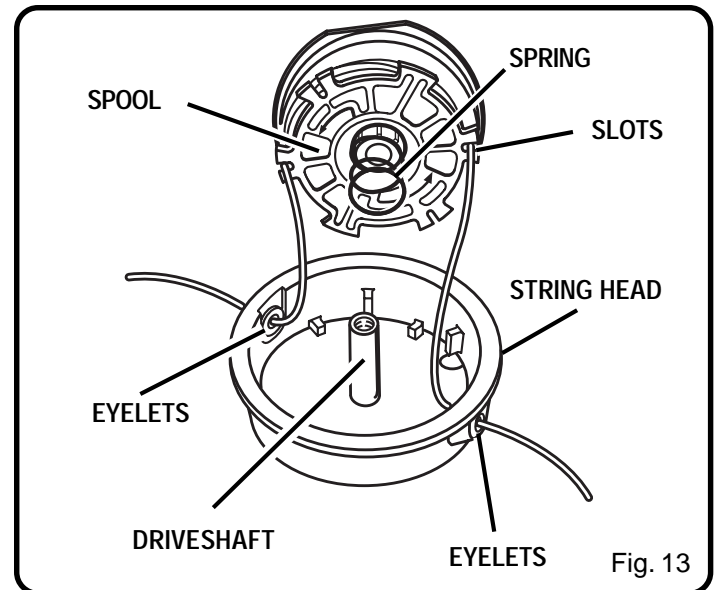


Fig. 13

MAINTENANCE

STRING REPLACEMENT

See Figures 14, 15, 16 and 17.

1. Stop the engine, disconnect the spark plug wire. Hold the string head and unscrew the spool retainer. Turn counterclockwise.
2. Remove the spool from the string head. **NOTE:** Keep the spring attached to the spool. Remove any old string remaining on the spool.
3. Cut two pieces of string, each being approximately 2.7 m (9 ft.) long.
4. Insert the first string into the anchor hole in the upper part of the spool. Wind the first string around the upper part of the spool counterclockwise, as shown by the arrows on the spool. Place string in the slot on upper spool flange, leaving about 152 mm (6 in.) extended beyond the slot. Do not overfill. After winding the string, there should be at least 6 mm (1/4 in.) between the wound string and the outside edge of the spool.
5. Repeat above step with second string, using the bottom part of spool. Do not overfill.
6. Replace the spool and the spool retainer. Refer to "Spool Replacement" earlier in this manual.

CLEANING THE EXHAUST PORT AND MUFFLER

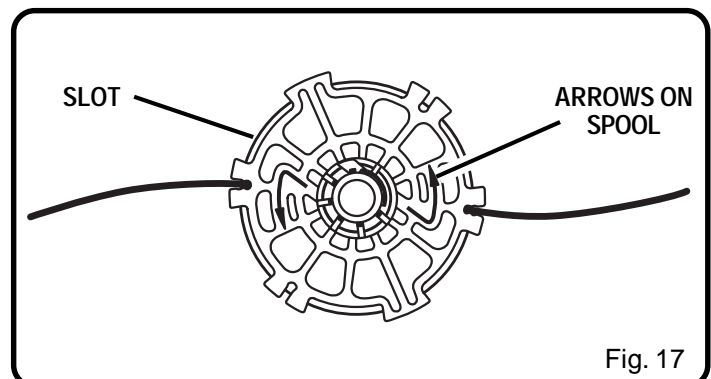
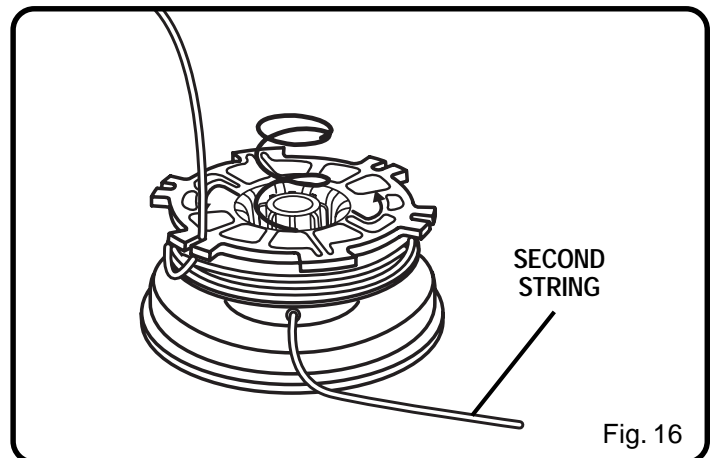
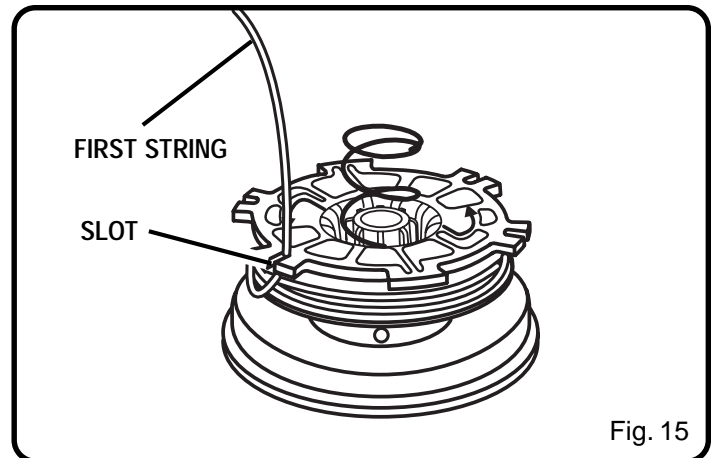
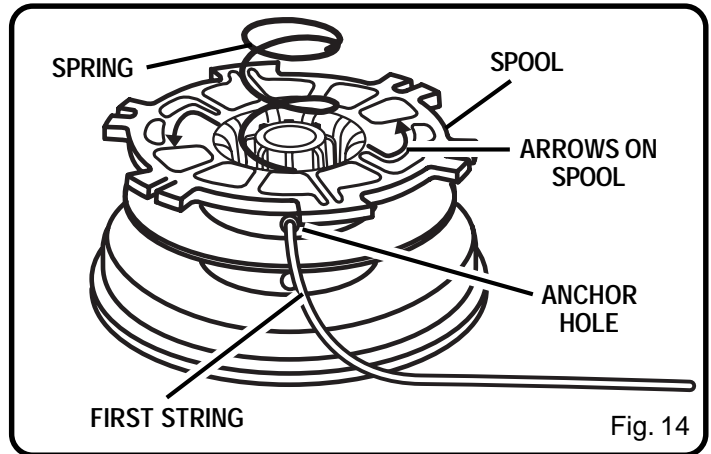
Depending on the type of fuel used, the type and amount of oil used, and/or your operating conditions, the exhaust port and muffler may become blocked with carbon deposits. If you notice a power loss with your gas powered tool, a qualified service technician will need to remove these deposits to restore performance.

SPARK ARRESTOR

The spark arrestor must be cleaned or replaced every 25 hours or yearly to ensure proper performance of your product. Spark arrestors may be in different locations depending on the model purchased. Please contact your nearest service dealer for the location of the spark arrestor for your model.

Cleaning Instructions:

- Remove the spark arrestor from the muffler.
- If your spark arrestor is made of a fiberglass material, discard and replace.
- If your spark arrestor is made of a metal material follow these cleaning instructions:
 1. Spray the spark arrestor with a quality carbon cleaner.
 2. Gently clean using a wire brush.
 3. Install the new or cleaned spark arrestor and reassemble completely before use.



MAINTENANCE

REPLACING AND CLEANING AIR FILTER

See Figures 18 and 19.

For proper performance and long life, keep air filter clean.

1. Remove the air filter cover by pushing down on the latch with your thumb while gently pulling on the cover.
2. Remove the filter, clean it in warm soapy water. Rinse and let dry completely. For best performance, replace annually.
3. Install the filter, align tabs, push in, and make sure the latches are locked into place.

FUEL CAP



WARNING:

A leaking fuel cap is a fire hazard and must be replaced immediately.

The fuel cap contains a non-serviceable filter and a check valve. A clogged fuel filter will cause poor engine performance. If performance improves when the fuel cap is loosened, check valve may be faulty or filter clogged. Replace fuel cap if required.

SPARK PLUG

This engine uses a Champion RCJ-6Y with 0,63 mm (.025 in.) electrode gap. Use an exact replacement and replace annually.

TRANSPORTING

Allow the engine to cool; empty the fuel tank and secure the unit from moving before transporting.

STORAGE

STORAGE (LESS THAN 1 MONTH)

1. Clean all foreign material from the trimmer. Store it in a well-ventilated place that is inaccessible to children. Keep away from corrosive agents such as garden chemicals and de-icing salts.
2. Abide by all ISO and local regulations for the safe storage and handling of gasoline. Excess fuel should be used up in other 2-cycle engine powered equipment.

STORAGE (1 MONTH OR LONGER)

1. Drain all fuel from tank into a container approved for gasoline. Run engine until it stops.
2. Clean all foreign material from the trimmer. Store it in a well-ventilated place that is inaccessible to children. Keep away from corrosive agents such as garden chemicals and de-icing salts.
3. Abide by all ISO and local regulations for the safe storage and handling of gasoline. Excess fuel should be used up in other 2-cycle engine powered equipment.

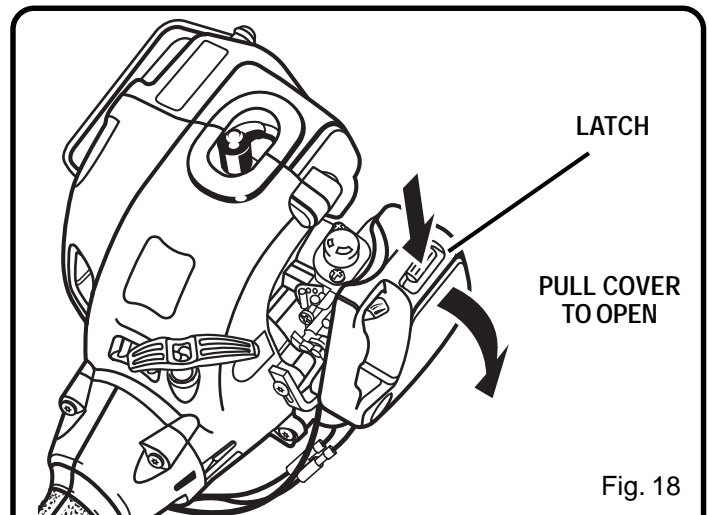


Fig. 18

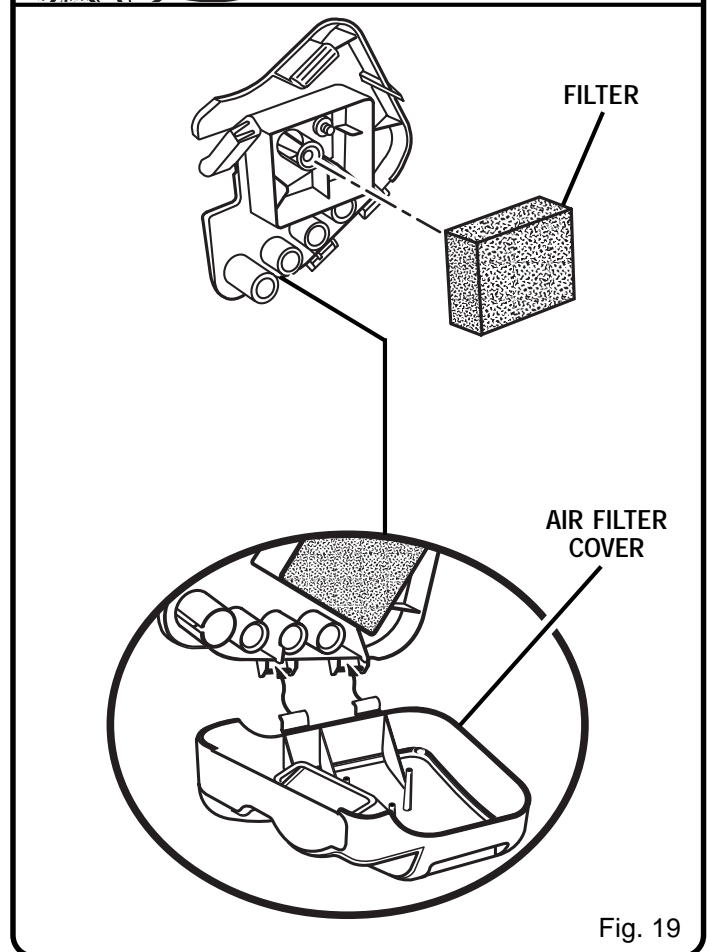


Fig. 19

TROUBLESHOOTING

IF THESE SOLUTIONS DO NOT SOLVE THE PROBLEM CONTACT YOUR AUTHORIZED SERVICE DEALER.

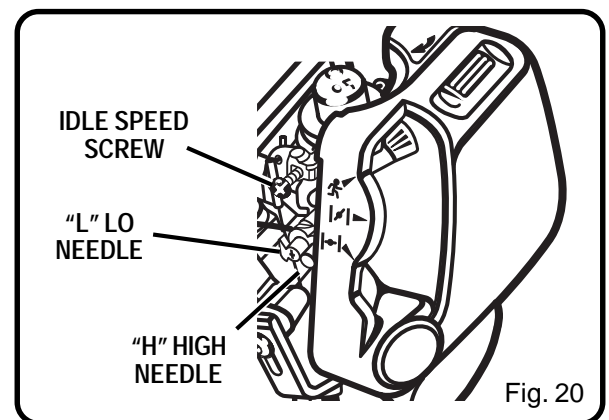
PROBLEM	POSSIBLE CAUSE	SOLUTION
Engine will not start:	<ol style="list-style-type: none"> 1. No spark. 2. No fuel. 3. Flooded engine. 4. Starter rope pulls harder now than when new. 	<ol style="list-style-type: none"> 1. Check spark. Remove spark plug. Reattach the spark plug cap and lay spark plug on metal cylinder. Pull the starter rope and watch for spark at spark plug tip. If there is no spark, repeat test with a new spark plug. 2. Push primer bulb until bulb is full of fuel. If bulb does not fill, primary fuel delivery system is blocked. Contact a service dealer. If primer bulb fills, engine may be flooded (see next item). 3. Remove spark plug, turn trimmer so spark plug hole is aimed at the ground. Move choke lever to "RUN" and pull starter cord 10 to 15 times. This will clear excess fuel from engine. Clean and reinstall spark plug. Pull starter three times with choke lever at "RUN". If engine does not start, move choke lever to "CHOKE" and repeat normal starting procedure. If engine still fails to start, repeat procedure with a new spark plug. 4. Contact a service dealer.
Engine starts but will not accelerate:	Carburetor requires adjustment.	Turn "L" needle counterclockwise 1/16 turn. If "L" low needle can not be turned counterclockwise, do not force plastic limiter caps. Contact a service dealer. <i>See Figure 20.</i>
Engine starts but will only run at high speed at half choke:	Carburetor requires adjustment.	Turn "H" needle counterclockwise 1/16 turn. If "H" high needle can not be turned counterclockwise, do not force plastic limiter caps. Contact a service dealer. <i>See Figure 20.</i>
Engine does not reach full speed and emits excessive smoke:	<ol style="list-style-type: none"> 1. Check oil fuel mixture. 2. Air filter dirty. 3. Carburetor requires adjustment. 	<ol style="list-style-type: none"> 1. Use fresh fuel and the correct 2-cycle oil mix. 2. Clean the air filter. Refer to "Replacing and Cleaning the Air Filter" earlier in this manual. 3. Turn "H" needle clockwise 1/16 - 1/8 turn. <i>See Figure 20.</i>
Engine starts, runs, and accelerates but will not idle:	Carburetor requires adjustment.	Turn idle speed screw clockwise to increase idle speed.
String will not advance:	<ol style="list-style-type: none"> 1. String welded to itself. 2. Not enough string on spool. 3. String worn too short. 4. String tangled on spool. 5. Engine speed too slow. 	<ol style="list-style-type: none"> 1. Lubricate with silicone spray. 2. Install more string. Refer to "String Replacement" earlier in this manual. 3. Pull strings while alternately pressing down on and releasing spool retainer. 4. Remove string from spool and rewind. Refer to "String Replacement" earlier in this manual. 5. Advance string at full throttle.

TROUBLESHOOTING

IF THESE SOLUTIONS DO NOT SOLVE THE PROBLEM CONTACT YOUR AUTHORIZED SERVICE DEALER.

PROBLEM	POSSIBLE CAUSE	SOLUTION
Grass wraps around driveshaft housing and stringhead:	<ol style="list-style-type: none"> 1. Cutting tall grass at ground level. 2. Operating trimmer at part throttle. 	<ol style="list-style-type: none"> 1. Cut tall grass from the top down. 2. Operate trimmer at full throttle.
Spool retainer hard to turn:	Screw threads dirty or damaged.	Clean threads and lubricate with grease - if no improvement, replace spool retainer.
Oil drips from muffler:	<ol style="list-style-type: none"> 1. Operating trimmer at part throttle 2. Check oil/fuel mixture. 3. Air filter dirty. 4. Carburetor requires adjustment. 	<ol style="list-style-type: none"> 1. Operate trimmer at full throttle. 2. Use fresh fuel and the correct 2-cycle oil mix. 3. Clean air filter. Refer to "Replacing and Cleaning the Air Filter" earlier in this manual. 4. Turn "H" needle clockwise 1/16 - 1/8 turn. See <i>Figure 20</i>.

NOTE: The carburetor adjustment needle(s) are equipped with plastic cap(s) that prevents counterclockwise rotation from the original factory adjustment. If your unit exhibits specific performance problem(s) where the Trouble Shooting Section recommends a counterclockwise needle adjustment and no adjustments have been made since original purchase, the unit should be taken to a factory authorized service dealer for repair. In most cases, the needed adjustment is a simple task for the factory trained service representative.



SAFETY DIRECTIVE

SOUND POWER/PRESSURE & HANDLE VIBRATION CHART FOR STRING TRIMMERS / BRUSHCUTTERS

Information on Noise Emission per European Machine Safety Directive 98/37/EC.

The individual equipment listed was operated in a manner consistent with normal working conditions.

The A-weighted sound pressure level (LpA) at the operator's ear and the A-weighted sound power level (LWA) were both measured in accordance with Directive 79/113/EEC. Hearing protection is recommended where levels exceed 85 dBA.

Handle vibration was measured in accordance to ISO 7916. Read the safety precautions section of the manual.

MODEL	SOUND PRESSURE LpA (dBA)	SOUND POWER LwA (dBpA)	VIBRATION m/s ²
PLT3043S	101	108	11.0

WARRANTY

GUARANTEE

GUARANTEE – STATEMENT

(RTSA / RTUK / RTG)

All Ryobi products are guaranteed from defects in material and workmanship, for a period of twenty-four (24) months, effective and evidenced from date of original invoice or delivery note.

Defects caused by normal wear and tear, unauthorized/improper maintenance/handling or overload are excluded from this guarantee as are accessories such as battery packs, bulbs, blades and bits, etc.

In the event of malfunction within the guarantee period, please return the assembled product with proof of purchase, to your dealer or nearest Ryobi Service Centre.

Your statutory rights in respect of defective products remain unaffected by the warranty.

Ryobi Technologies GmbH, Itterpark 7, D-40724 Hilden, Germany

Ryobi Technologies, Customer Services, Anvil House, Tuns Lane, Henley-on-Thames, RG9 1SA, UK

Ryobi Technologies, BP 50012 - 95945 Roissy CDG Cedex – FRANCE

Ryobi Technologies Australia PTY Limited, 359-361 Horsley Road, Milperra, NSW 2214 Australia



OPERATOR'S MANUAL

String Trimmer

PLT3043S

Ryobi Technologies GmbH

Itterpark 7
D-40724 Hilden
Germany
Tel.: +49 (0)2103 / 29 58 0
Fax : +49 (0)2103 / 29 58 29
info@ryobi-rtg.de

Ryobi Technologies

Customer Services
Anvil House
Tuns Lane
Henley-on-Thames
RG9 1SA
UK

Ryobi Technologies

BP 50012 - 95945 Roissy CDG Cedex – FRANCE

RY70113
983000-225
3-03

Ryobi Technologies Australia PTY Limited
359-361 Horsley Road, Milperra, NSW 2214 Australia