

**RYOBI
STRAIGHT SHAFT TRIMMER
MODEL NO. RY70105A
REPAIR SHEET**

RYOBI STRAIGHT SHAFT TRIMMER – MODEL NO. RY70105A

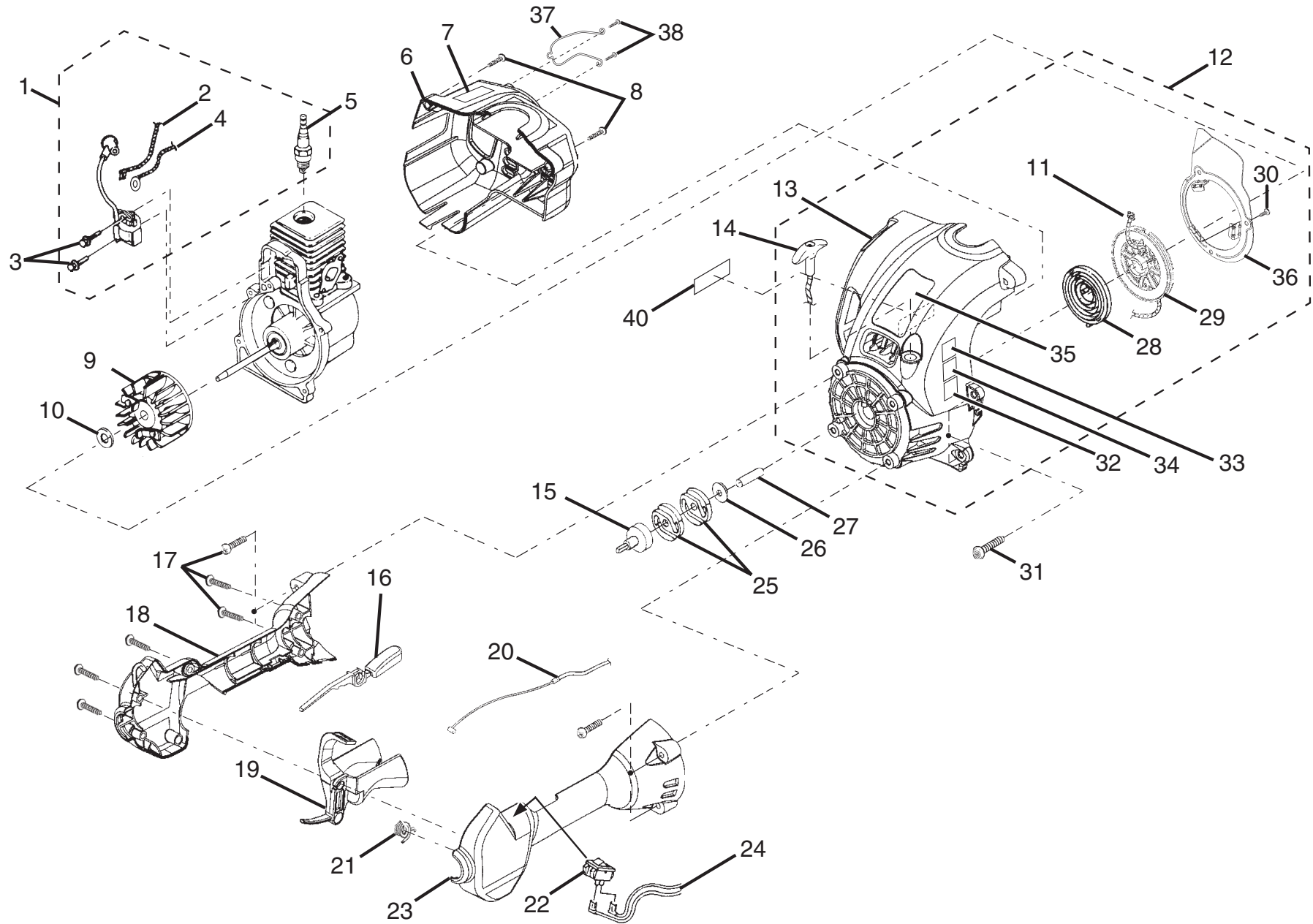


FIGURE A

RYOBI STRAIGHT SHAFT TRIMMER – MODEL NO. RY70105A

The model number will be found on a plate attached to the engine housing. Always mention the model number in all correspondence regarding your **STRING TRIMMER** or when ordering repair parts.

PARTS LIST FOR FIGURE A

NO.	KEY NUMBER	PART DESCRIPTION	QTY.	NO.	KEY NUMBER	PART DESCRIPTION	QTY.
1	984520001	IGNITION KIT.....	1	19	PS06259	TRIGGER.....	1
2	A06963	ELECTRICAL LEAD.....	1	20	PS01177	THROTTLE CABLE.....	1
3	82540	SCREW.....	2	21	PS01718	SPRING.....	1
4	A06964	ELECTRICAL LEAD.....	1	22	07385	SWITCH.....	1
5	PS02227	SPARK PLUG.....	1	23	PS01125	CONTROL HANDLE / LH.....	1
6	PS01127	REAR COVER.....	1	24	PA00387	ELECTRICAL LEADS.....	1
7	982722001	LOGO PLATE.....	1	25	00242	CLUTCH DISK (ST185 & ST385).....	2
8	82537	SCREW (10 - 14 x 7/8).....	2	26	98929A	WASHER.....	1
9	984521001	ROTOR AND PAWL ASSEMBLY.....	1	27	PS05267	SPACER.....	1
10	PS05268	WASHER.....	1	28	A98773A	SPRING & CONTAINER.....	1
11	9789902	STARTER ROPE 42 in.....	1	29	98770A	STARTER PULLEY.....	1
12	984547001	STARTER ASSEMBLY.....	1	30	82543	SCREW.....	3
13	PA01641	STARTER HOUSING AND EYELET.....	1	31	82538	SCREW.....	4
14	PS06114	ERGO GRIP.....	1	32	984288001	DECAL, 112 POWER SOUND.....	1
15	PA01613	DRUM AND CONNECTOR.....	1	33	PS06261	DECAL, ZIP START.....	1
16	PS06258	INTERLOCK TRIGGER.....	1	34	06976	DECAL, CE.....	1
17	82589	SCREW.....	9	35	PS06266	DECAL, MODEL.....	1
18	PS01124	CONTROL HANDLE / RH.....	1	36	PS06339	AIR BAFFLE PLATE.....	1
				37	PS00218	MUFFLER GUARD.....	1
				38	82541	SCREW.....	2
				39	03646	TORX WRENCH (NOT SHOWN).....	1
				40	984417001	FUEL MIX RATIO DECAL.....	1

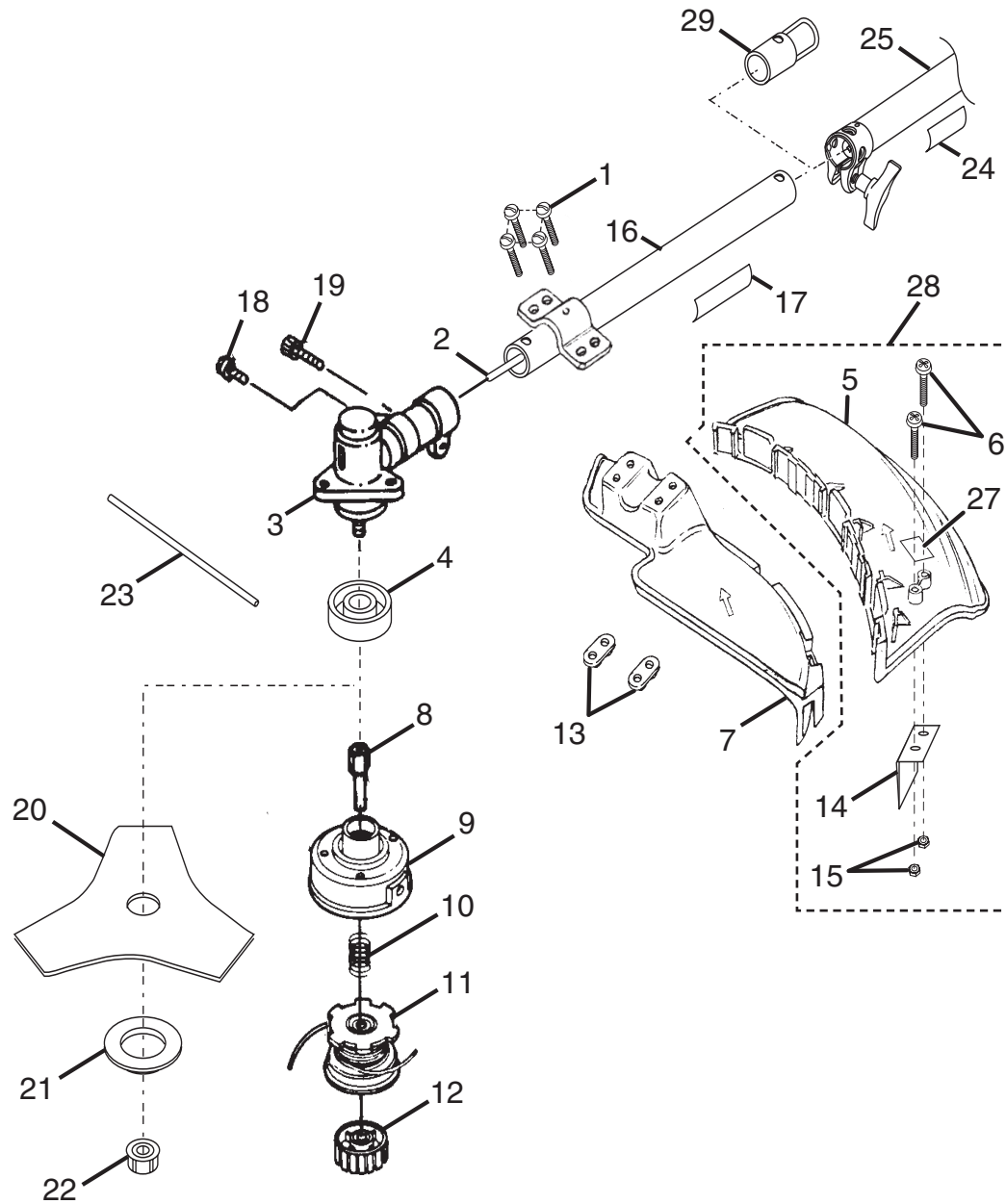


FIGURE B

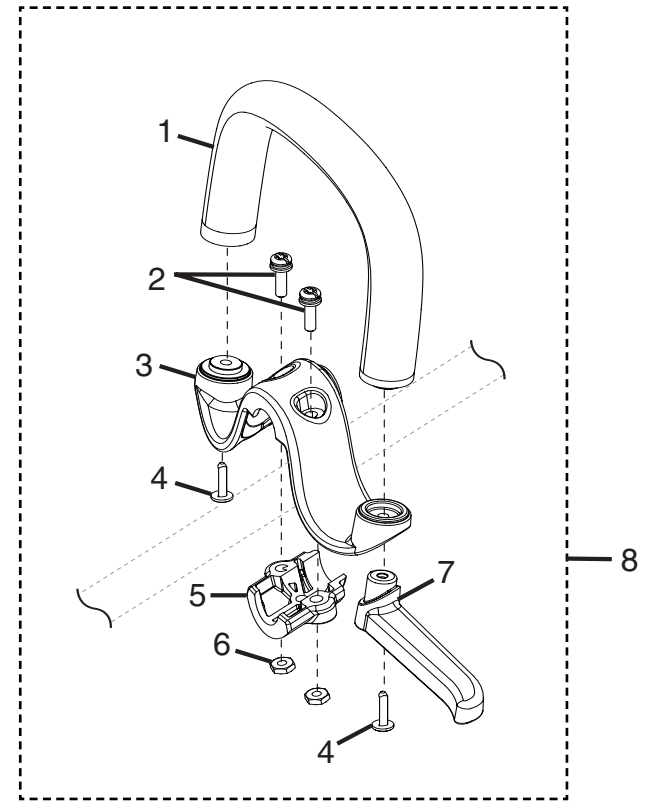


FIGURE C

RYOBI STRAIGHT SHAFT TRIMMER – MODEL NO. RY70105A

The model number will be found on a plate attached to the motor housing. Always mention the model number in all correspondence regarding your **STRING TRIMMER** or when ordering repair parts.

PARTS LIST FOR FIGURE B

KEY NO.	PART NUMBER	DESCRIPTION	QTY.
1	PS01255	SCREW	4
2	A07679	FLEXIBLE SHAFT, LOWER	1
3	PA01364	GEAR CASE ASSEMBLY	1
4	041681A	FLANGED WASHER	1
5	08572	STRING SHIELD CCW.....	1
6	82531	SCREW (10 - 24 x 7/8).....	2
7	08573	BLADE GUARD CCW	1
8	9855141	ADAPTER SHAFT/1986	1
9	A98231A	HOUSING AND EYELETS	1
10	06713	COMPRESSION SPRING	1
11	PA01347A	SPOOL AND STRING (.95).....	1
12	PA01271	SPOOL RETAINER (L/H THREAD).....	1
13	A08139	MOUNTING PLATE	2
14	07076	CUT OFF BLADE	1
15	81261	HEX NUT	2
16	984552001	D.S. HOUSING	1
17	PS06337	WARNING DECAL.....	1
18	PS04673	SCREW (10-24 x .625 TAPTIT)	1
19	PS04680	SCREW (1/4 - 20 x 1.25 TAP).....	1
20	984227001	TRI-ARC BLADE	1
21	04409	CUPPED WASHER	1
22	04277	LOCK NUT.....	1
23	00063	HOLDING PIN	1
24	PS06344	WARNING DECAL.....	1
25	984553001	UPPER BOOM ASSEMBLY	1

KEY NO.	PART NUMBER	DESCRIPTION	QTY.
26	983961001	HARNES ASSEMBLY (NOT SHOWN).....	1
27	09197	WARNING DECAL.....	1
28	984554001	STRING SHIELD ASSEMBLY	1
29	PS02155	END CAP STORAGE	1

PARTS LIST FOR FIGURE C

KEY NO.	PART NUMBER	DESCRIPTION	QTY.
1	984439001	ASSIST HANDLE W/GRIP	1
2	PS04159	SCREW (12-24 x 1 SEMS).....	2
3	PS04070	M CLAMP	1
4	82620	SCREW	2
5	PS04072	CLAMP	1
6	81068	HEX NUT (12-24)	2
7	PS04071	BARRIER BAR.....	1
8	983798002	ASSIST HANDLE ASSEMBLY.....	1

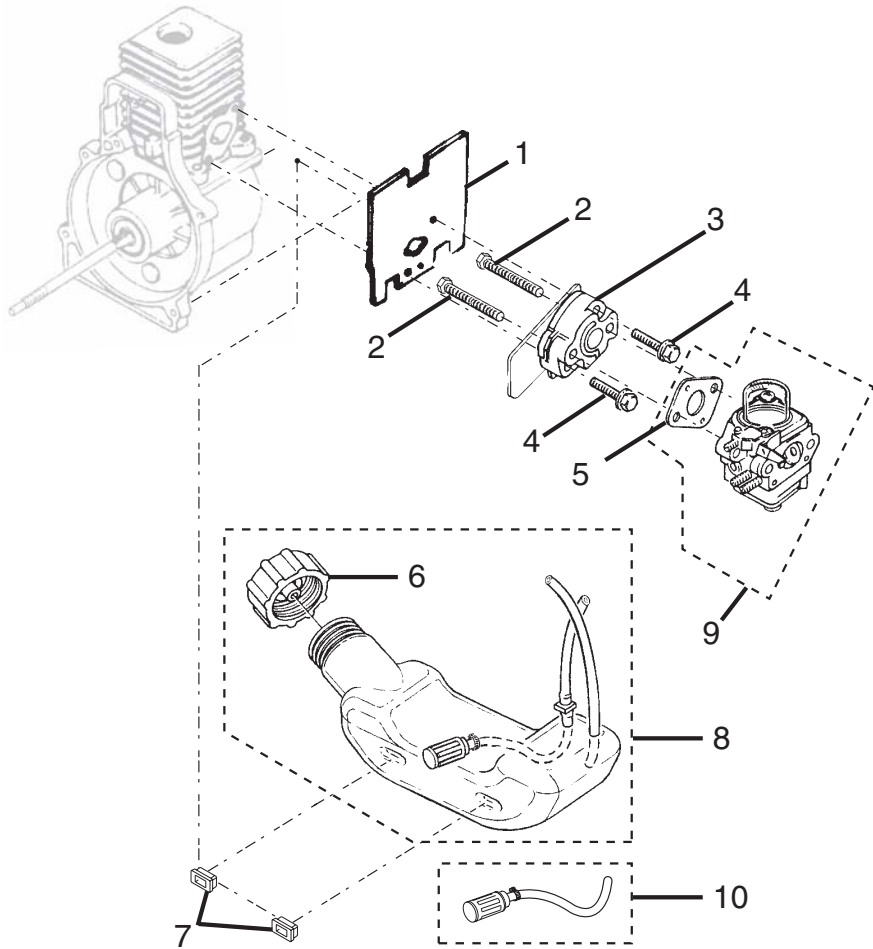


FIGURE D

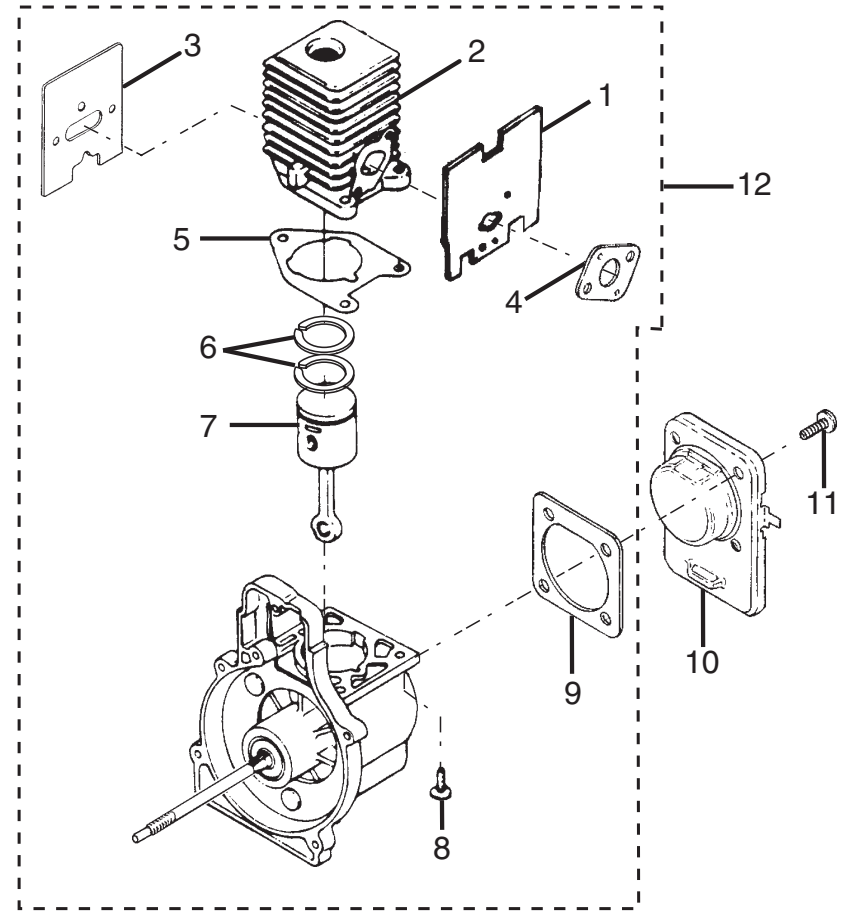


FIGURE E

RYOBI STRAIGHT SHAFT TRIMMER – MODEL NO. RY70105A

The model number will be found on a plate attached to the motor housing. Always mention the model number in all correspondence regarding your **STRING TRIMMER** or when ordering repair parts.

PARTS LIST FOR FIGURE D

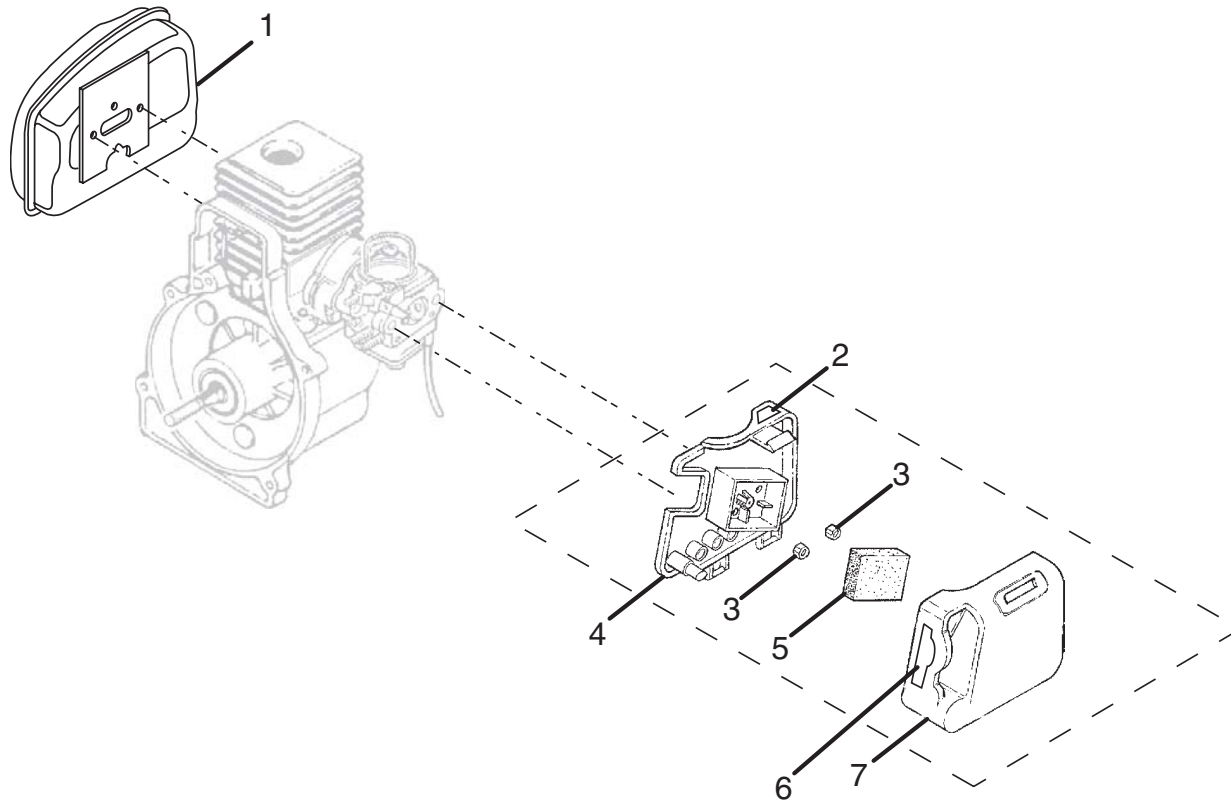
PARTS LIST FOR FIGURE E

KEY NO.	PART NUMBER	DESCRIPTION	QTY.
1	06900A	HEAT DAM GASKET	1
2	04474	CARBURETOR BOLT	2
3	98768A	HEAT DAM	1
4	093221	PAN HEAD SEMS SCREW	2
5	98766A	CARBURETOR GASKET	1
6	A09115	FUEL CAP	1
7	98792	BUMPER	3
8	984550001	* FUEL TANK ASSEMBLY	1
9	984549001	CARBURETOR ASSEMBLY KIT	1
10	985077001	FUEL FILTER KIT	1
		(INCLUDED ON FUEL TANK ASSEMBLY)	

KEY NO.	PART NUMBER	DESCRIPTION	QTY.
1	06900A	HEAT DAM GASKET	1
2	PS02128	CYLINDER	1
3	PS04000	MUFFLER GASKET	1
4	98766A	CARBURETOR GASKET	1
5	04388B	CYLINDER GASKET	1
6	PS03498	PISTON RING (1-5/16 in.)	2
7	984543001	PISTON ASSEMBLY KIT	1
8	PS02807	SCREW (12-24 x .660 PAN TORX)	3
9	06443A	GASKET COVER, C/C	1
10	PS02130	CRANKCASE COVER	1
11	PS01565	PAN HEAD SCREW	4
12	984546001	SHORT BLOCK ASSEMBLY	1

* WHEN ORDERING FUEL TANK ASSEMBLY (ITEM NUMBER 8), ALSO ORDER BUMPERS (ITEM NUMBER 7)

RYOBI STRAIGHT SHAFT TRIMMER – MODEL NO. RY70105A



PARTS LIST

KEY NO.	PART NUMBER	DESCRIPTION	QTY.
1	PA01073	MUFFLER ASSEMBLY.....	1
2	PS02788	PRIMER DECAL.....	1
3	81208	LOCK NUT (10-24).....	2
4	PS02113	BOX AIR FILTER (CONEHEAD)	1
5	98760	AIR FILTER.....	1
6	PS02523	CHOKE DECAL.....	1
7	PS02309	AIR BOX COVER.....	1
8	06502	SPARK SCREEN (NOT SHOWN)	1
	983000322	OPERATOR'S MANUAL	1
	8-03		