

**RYOBI  
TP30 GAS PRUNER  
MODEL NUMBER RY52014  
REPAIR SHEET**

RYOBI TP30 GAS PRUNER MODEL NO. RY52014

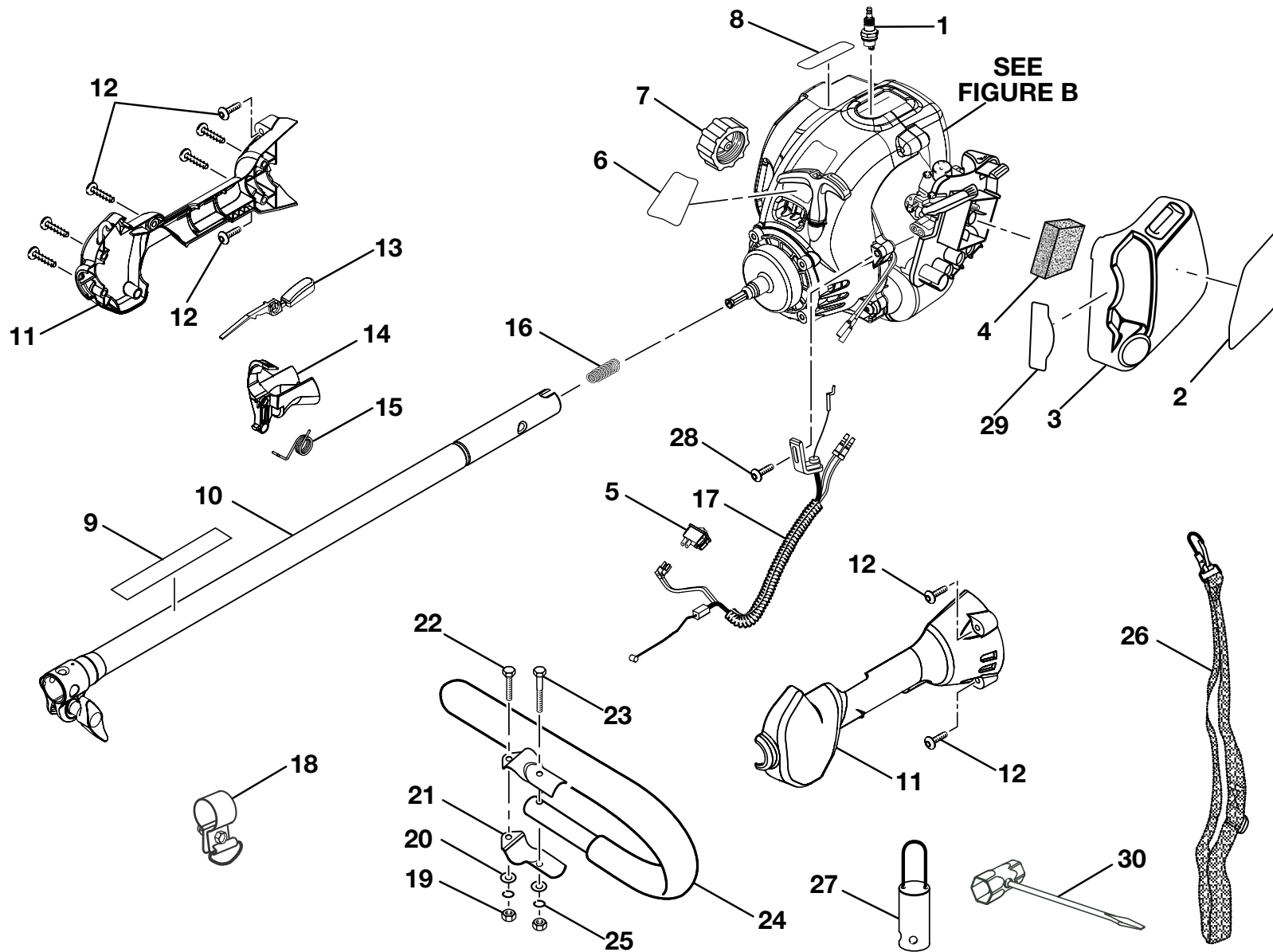


Figure A

**PARTS LIST (FIGURE A)**

| KEY NO. | PART NUMBER | DESCRIPTION                       | QTY | KEY NO. | PART NUMBER       | DESCRIPTION                             | QTY |
|---------|-------------|-----------------------------------|-----|---------|-------------------|---|-----|
| 1       | 870170001   | * Spark Plug (Champion RCJ4)..... | 1   | 18      | 308224001         | Strap Hanger (TP30).....                | 1   |
| 2       | 940967004   | Starting Label .....              | 1   | 19      | 678016001         | Hex Nut (1/4-20).....                   | 2   |
| 3       | 518096001   | Air Box Cover .....               | 1   | 20      | 678013001         | Washer .....                            | 2   |
| 4       | 900952001   | Air Filter Element .....          | 1   | 21      | 638014001         | Handle Bar Clamp .....                  | 2   |
| 5       | 760363002   | Switch (Momentary Contact).....   | 1   | 22      | 660643002         | Bolt (1/4-20 X 1 In. Hex Hd.) .....     | 1   |
| 6       | 940643011   | Model Label (TP30).....           | 1   | 23      | 660643001         | Bolt (1/4-20 X 1-1/2 In. Hex Hd.) ..... | 1   |
| 7       | 300758006   | Fuel Cap Assembly.....            | 1   | 24      | 308046001         | “J” Handle And Grip .....               | 1   |
| 8       | 940299600   | Logo Plate .....                  | 1   | 25      | 678012001         | Lock Washer.....                        | 2   |
| 9       | 940654012   | Warning Decal (TP30) .....        | 1   | 26      | 308487001         | Shoulder Strap.....                     | 1   |
| 10      | 000998248   | Upper Boom Assembly (TP30) .....  | 1   | 27      | 518019001         | Hanger Cap .....                        | 1   |
| 11      | 000998236   | Control Handle Assembly.....      | 1   | 28      | 660616001         | Screw (10-24 X 7/8 In.).....            | 1   |
| 12      | 660618002   | Screw (10-14 X 1 In.) .....       | 9   | 29      | 940330006         | Choke Label .....                       | 1   |
| 13      | 518011002   | Trigger Lock.....                 | 1   | 30      | 631055006         | Combination Wrench.....                 | 1   |
| 14      | 518012002   | Trigger.....                      | 1   |         | <b>Not Shown:</b> |   |     |
| 15      | 678021001   | Torsion Spring.....               | 1   |         | 983000882         | Operator’s Manual (961031001) .....     | 1   |
| 16      | 678252001   | Compression Spring.....           | 1   |         | 5-25-10           |   |     |
| 17      | 308439001   | Throttle And Lead Assembly .....  | 1   |         | (REV:01)          |   |     |

\* STANDARD HARDWARE ITEM – MAY BE PURCHASED LOCALLY

RYOBI TP30 GAS PRUNER MODEL NO. RY52014

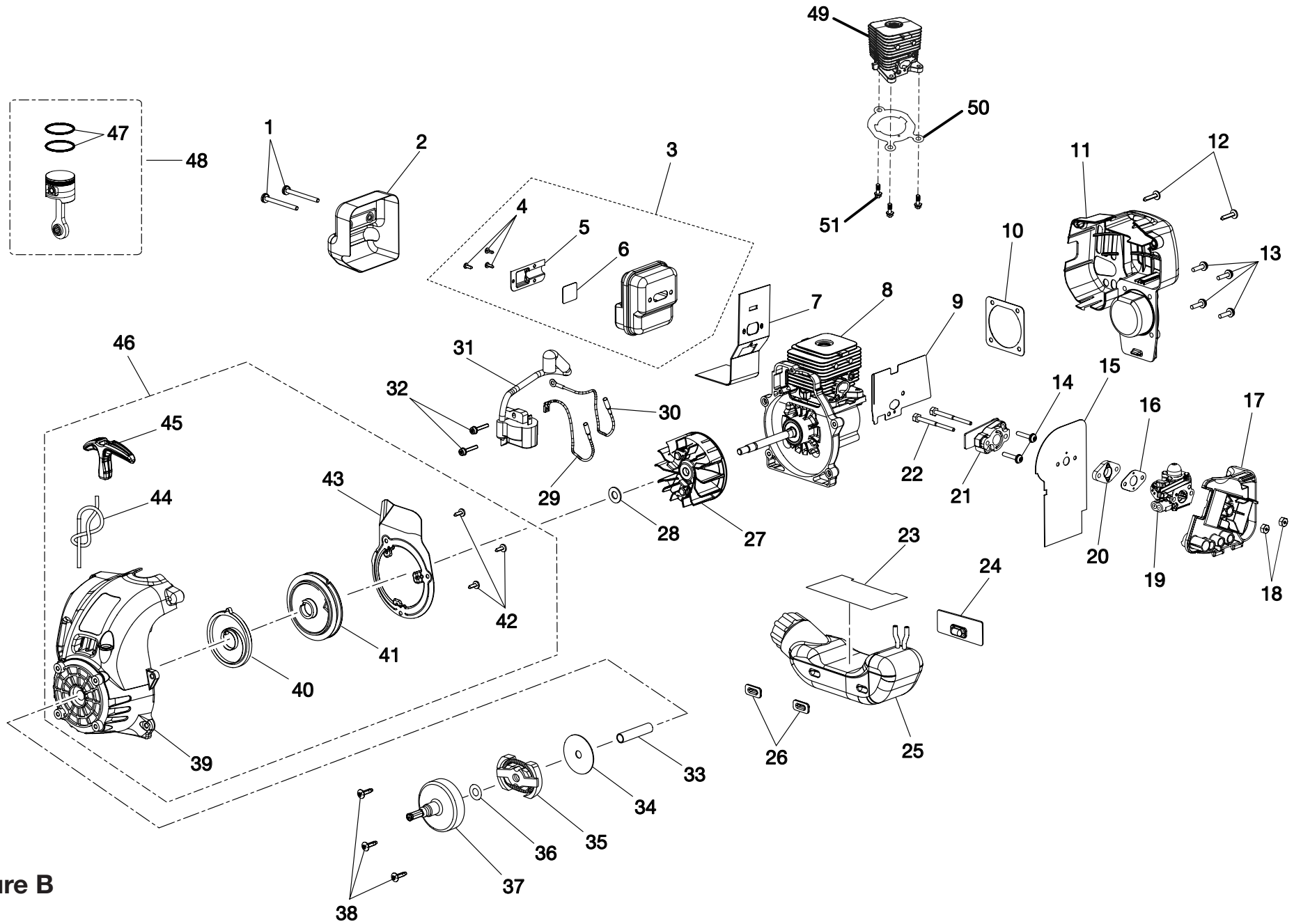


Figure B

**PARTS LIST (FIGURE B)**

| KEY NO. | PART NUMBER | DESCRIPTION   | QTY | KEY NO. | PART NUMBER | DESCRIPTION                          | QTY |
|---------|-------------|---|-----|---------|-------------|--------------------------------------|-----|
| 1       | 660638003   | Screw (10-24 X 2-1/8 In. Torx TR. HD. )                         | 2   | 26      | 570256001   | Bumper                               | 2   |
| 2       | 638094001   | Heat Shield   | 1   | 27      | 308433001   | Rotor w/Pawls Assembly               | 1   |
| 3       | 308092008   | Muffler Assembly  | 1   | 28      | 650017001   | Washer                               | 1   |
| 4       | 660870001   | Screw (Recessed Pan HD.)  | 3   | 29      | 290222001   | Lead w/Terminals                     | 1   |
| 5       | 638044001   | Outlet Tube   | 1   | 30      | 290223001   | Lead w/Terminals                     | 1   |
| 6       | 638268001   | Screen  | 1   | 31      | 308389002   | Ignition Module w/3 Sec. Kill Switch | 1   |
| 7       | 900994006   | Muffler Gasket  | 1   | 32      | 660660001   | Screw (8-32 Thd Forming)             | 2   |
| 8       | 308192004   | Short Block Assembly (30 Cc)<br>(External Gaskets Not Included) | 1   | 33      | 638091002   | Spacer Tube                          | 1   |
| 9       | 900994010   | Intake Gasket   | 1   | 34      | 638090001   | Washer (PKG)                         | 1   |
| 10      | 900954001   | Cover Gasket  | 1   | 35      | 300960002   | Clutch Assembly                      | 1   |
| 11      | 518107003   | Rear Housing  | 1   | 36      | 678257001   | Clutch Washer                        | 1   |
| 12      | 660674001   | Screw (10-14 X 7/8 In. Truss HD. T.F.)                          | 2   | 37      | 308177001   | Drum And Connector                   | 1   |
| 13      | 660638004   | Screw w/Lock Washer<br>(10-24 X 3/4 In. Pan Hd. Torx)           | 4   | 38      | 660630002   | Screw (10-24 X 3/4 In.)              | 3   |
| 14      | 660662001   | Screw (10-24 Pan HD.)   | 2   | 39      | 308436001   | Starter Housing And Eyelet Assembly  | 1   |
| 15      | 900740002   | Carburetor Gasket   | 1   | 40      | 638033001   | Spring And Container                 | 1   |
| 16      | 900994004   | Carburetor Gasket (Non-Strato)                                  | 1   | 41      | 308374001   | Starter Pulley Assembly              | 1   |
| 17      | 518094001   | Air Filter Base   | 1   | 42      | 660694001   | Screw (Thread Forming)               | 3   |
| 18      | 678027001   | Lock Nut (10-24)  | 2   | 43      | 638229001   | Baffle/Isolator                      | 1   |
| 19      | 308054004   | Carburetor Assembly   | 1   | 44      | 900849002   | Starter Rope 42 (PKG)                | 1   |
| 20      | 590456003   | Spacer  | 1   | 45      | 511731001   | Starter Grip                         | 1   |
| 21      | 518070001   | Heat Dam  | 1   | 46      | 308194004   | Starter Housing Assembly             | 1   |
| 22      | 660346002   | Carburetor Mounting Bolt<br>(10 X 2-1/2 In.)                    | 2   | 47      | 690161005   | Piston Ring                          | 2   |
| 23      | 900999002   | Tank Insulation Gasket  | 1   | 48      | 308023003   | Piston w/Rod Assembly                | 1   |
| 24      | 570549001   | Rubber Bumper   | 1   | 49      | 640069002   | Cylinder, 30CC                       | 1   |
| 25      | 308181005   | Fuel Tank Assembly w/Cap  | 1   | 50      | 900953001   | Cylinder Gasket                      | 1   |
|         |             |   |     | 51      | 660342002   | Screw (M5 X 20 Mm)                   | 3   |

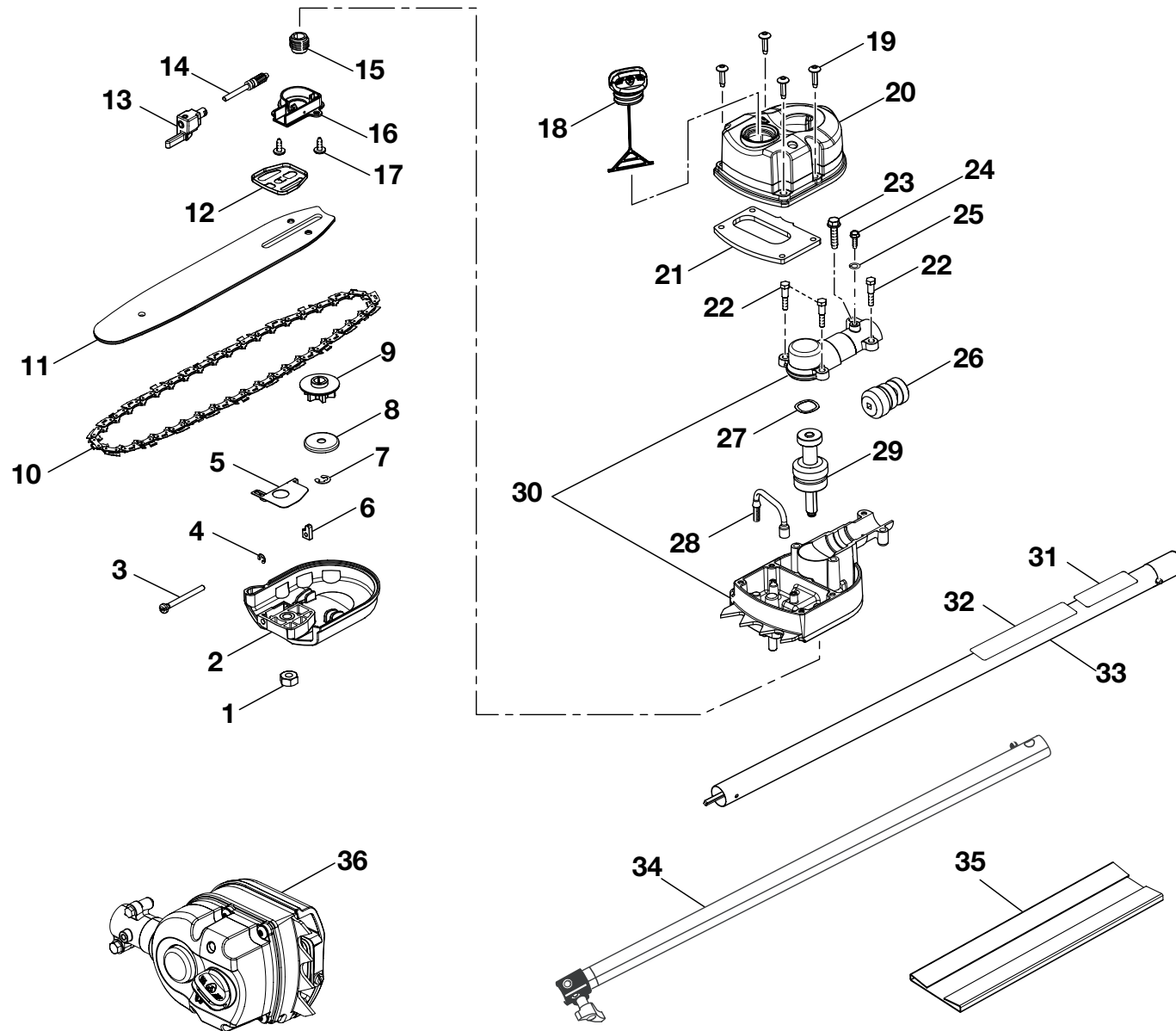


Figure C

**PARTS LIST (FIGURE C)**

| KEY NO. | PART NUMBER  | DESCRIPTION                                      | QTY | KEY NO. | PART NUMBER  | DESCRIPTION  | QTY |
|---------|--------------|--|-----|---------|--------------|--|-----|
| 1       | 090038001023 | Hex Nut (M8).....                                | 1   | 20      | 090038001003 | Oil Tank Cover Assembly.....                                 | 1   |
| 2       | 090038001022 | Bar Clamp Assembly .....                         | 1   | 21      | 090038001004 | Oil Cover Gasket .....                                       | 1   |
| 3       | 090038001024 | Guide Bar Adjustment Screw<br>(M5 X 50 Mm) ..... | 1   | 22      | 090038001005 | Screw (M5 X 25 Mm, Shoulder Screw) .....                     | 3   |
| 4       | 090038001025 | Retaining Ring (4 Mm) .....                      | 1   | 23      | 090038001006 | Screw (M5 X 25 Mm) .....                                     | 1   |
| 5       | 090038001026 | Guide Bar Plate .....                            | 1   | 24      | 099078001030 | Screw (M5 X 15 Mm) .....                                     | 1   |
| 6       | 090038001021 | Guide Bar Adjusting Pin (M5) .....               | 1   | 25      | 099078001031 | Spring Washer (M5) .....                                     | 1   |
| 7       | 090038001020 | E-Ring (6 Mm) .....                              | 2   | 26      | 090038001011 | Pinion Gear Assembly .....                                   | 1   |
| 8       | 090038001019 | Cupped Washer.....                               | 1   | 27      | 090038001008 | Wavy Washer .....  | 1   |
| 9       | 090038001018 | Sprocket .....                                   | 1   | 28      | 090038001009 | Pick-Up Tube Assembly .....                                  | 1   |
| 10      | 690583002    | Chain (3/8, .043, 10) .....                      | 1   | 29      | 090038001014 | Output Shaft Assembly .....                                  | 1   |
| 11      | 671834006    | Guide Bar.....                                   | 1   | 30      | 090038001042 | Gear Case And Cover Assembly .....                           | 1   |
| 12      | 090038001028 | Bar Pad Plate.....                               | 1   | 31      | 940627024    | Expand-It Label .....  | 1   |
| 13      | 090038001029 | Oil Pump Seal Assembly .....                     | 1   | 32      | 940654011    | Warning Label.....   | 1   |
| 14      | 090038001030 | Oil Pinion Gear & Plunger.....                   | 1   | 33      | 308425001    | Pruner Boom Assembly<br>(Includes Key. Nos. 31 And 32).....  | 1   |
| 15      | 090038001015 | Worm Gear .....                                  | 1   | 34      | 308010006    | Intermediate Boom Assembly .....                             | 1   |
| 16      | 090038001016 | Oil Pump Housing W/Cam Pin Assembly.....         | 1   | 35      | 090038001032 | Blade Cover.....   | 1   |
| 17      | 090038001017 | Screw (M5 X 13 Mm) .....                         | 2   | 36      | 308400002    | Pruner Gear Head<br>(Includes Key. Nos. 1-9 And 12-30) ..... | 1   |
| 18      | 090038001001 | Oil Cap With Retainer (Pkg.) .....               | 1   |         |              |  |     |
| 19      | 090038001002 | Screw (M5 X 18 Mm) .....                         | 4   |         |              |  |     |