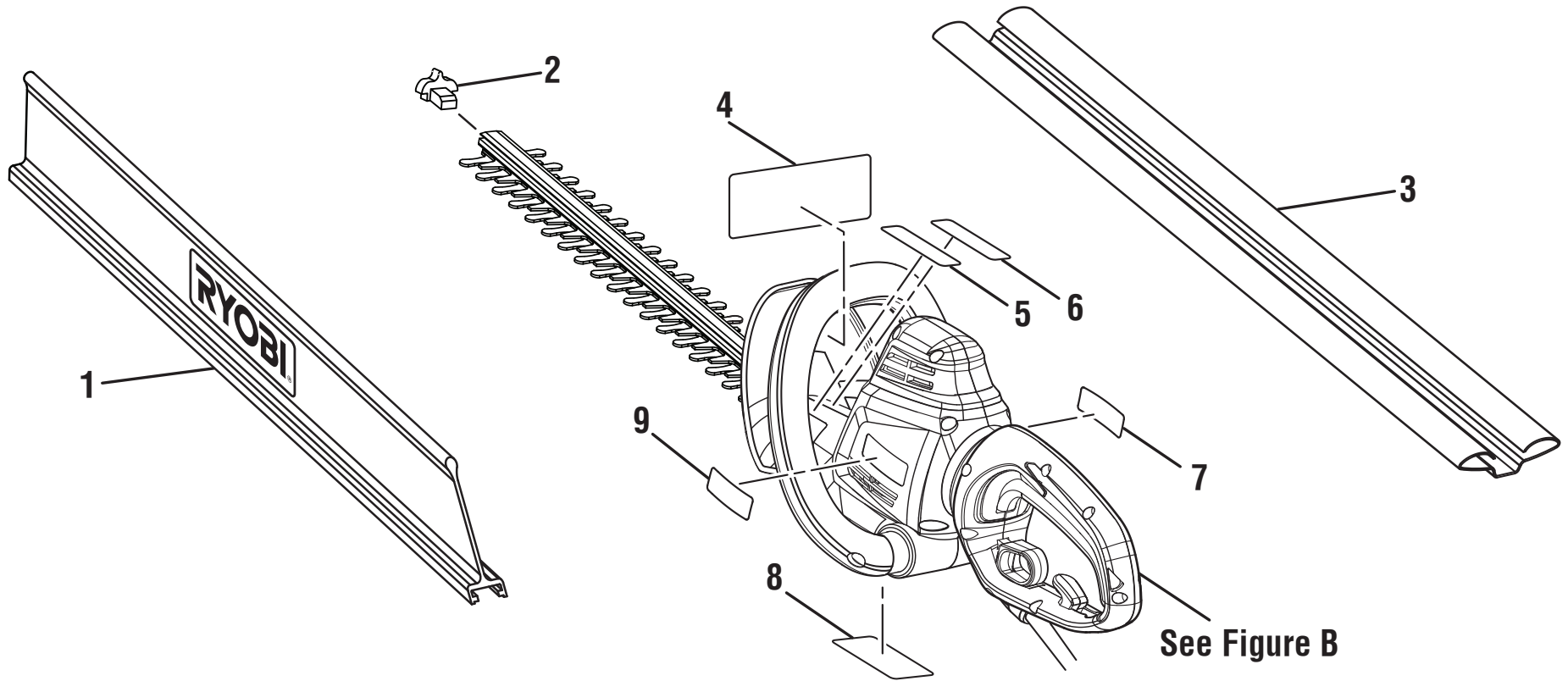


**RYOBI  
HEDGE TRIMMER  
MODEL NO. RY44140  
ALL VERSIONS  
REPAIR SHEET**

**RYOBI HEDGE TRIMMER – MODEL NUMBER RY44140**

The model number will be found on a label attached to the motor housing. Always mention the model number in all correspondence regarding your **HEDGE TRIMMER** or when ordering replacement parts.



**Figure A**

**PARTS LIST (FIGURE A)**

KEY NO.	PART NUMBER	DESCRIPTION	QTY	KEY NO.	PART NUMBER	DESCRIPTION	QTY
1	34107458G	Debris Deflector .....	1	6	099902001901	Icon Warning Label (Right).....	1
2	34201162G	Deflector Retainer .....	1	7	099902001905	Logo Label .....	1
3	33211442G	Blade Cover .....	1	8	099902001904	Data Label.....	1
4	099902001902	Guard Warning Label .....	1	9	099902001903	Replacement Parts Warning Label .....	1
5	099902001900	Icon Warning Label (Left).....	1				

RYOBI HEDGE TRIMMER – MODEL NUMBER RY44140

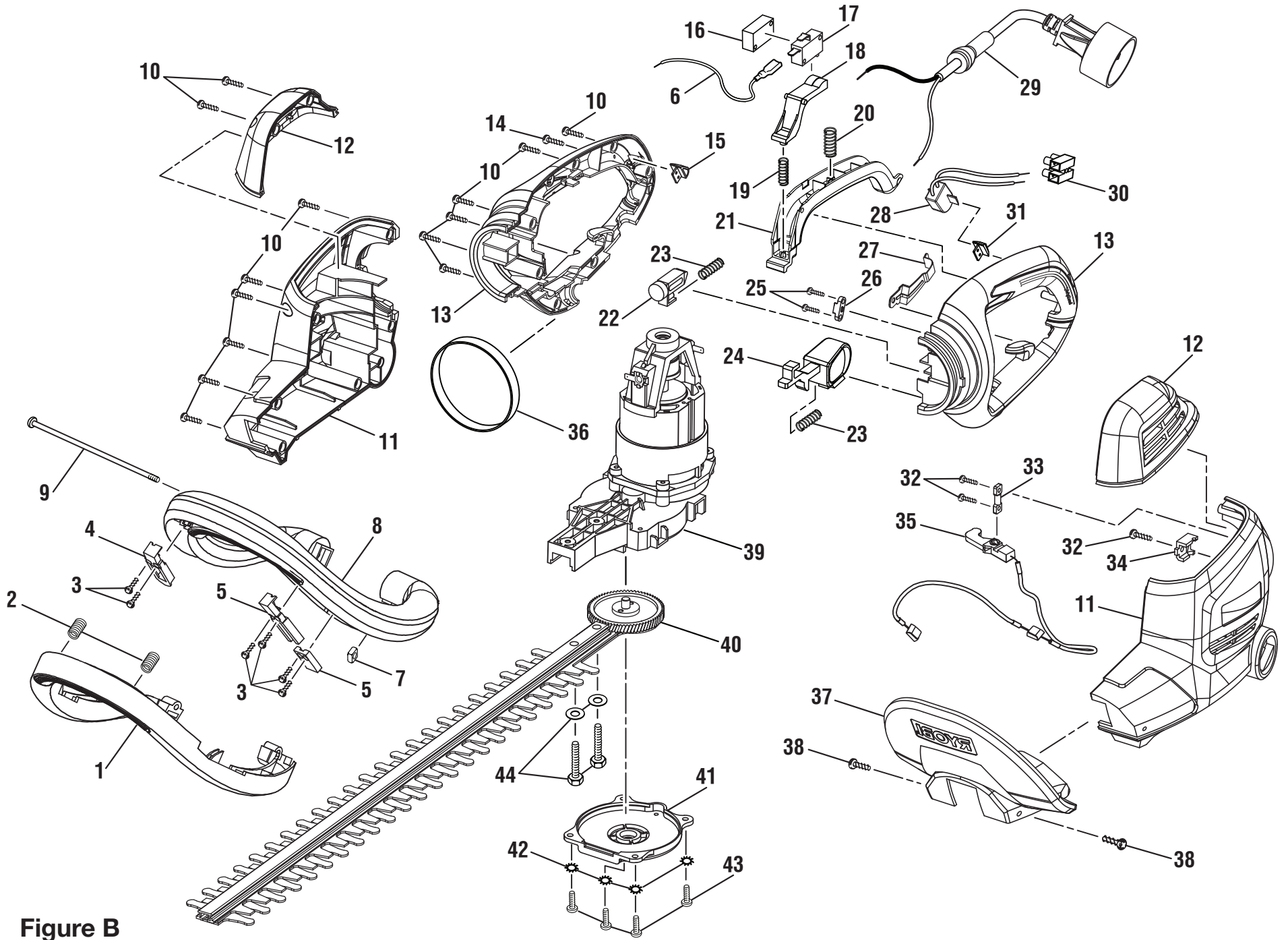
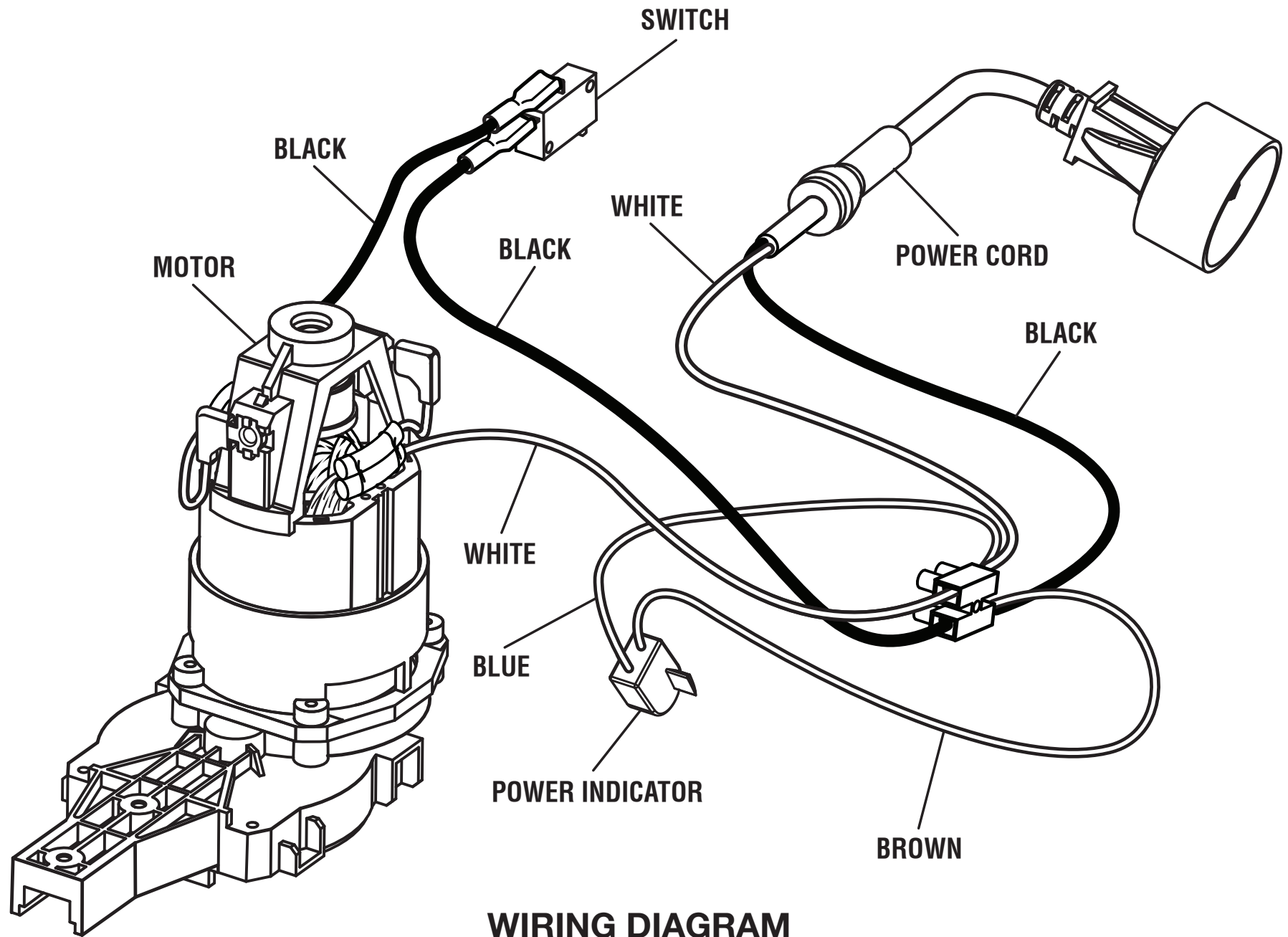


Figure B

**PARTS LIST (FIGURE B)**

KEY NO.	PART NUMBER	DESCRIPTION	QTY	KEY NO.	PART NUMBER	DESCRIPTION	QTY
1	34105441G	Front Handle Switch .....	1	25	32201441G	Screw (M3.5 x 10 mm).....	2
2	33215441G	Compression Spring .....	2	26	34116441G	Cord Clamp.....	1
3	32204166G	Screw (M3 x 8 mm).....	6	27	34119441G	Cord Retainer.....	1
4	34107166G	Cable Clamp (A).....	1	28	36901458G	Power Idicator.....	1
5	31303166G	Cable Clamp (B).....	1	29	31101458G	Power Cord.....	1
6	31901441G	Lead w/Terminal.....	1	30	36404167G	Terminal Block.....	1
7	32203166G	Front Handle Nut (M4).....	1	31	34121441G	Indicator Bracket (Right).....	1
8	34101166G	Front Handle .....	1	32	3220203AG	Screw (M2.9 x 12 mm).....	3
9	32202166G	Bolt (M4 x 146 mm).....	1	33	33208441G	Pivot Shaft .....	1
10	3220313AG	Screw (M4 x 14 mm).....	14	34	34115441G	Clip.....	1
11	31101441G	Housing Assembly .....	1	35	31103441G	Wiring Harness.....	1
12	31104441G	Motor Cover Assembly .....	1	36	34114441G	Ring.....	1
13	31102441G	Handle Assembly .....	1	37	34106441G	Guard .....	1
14	3220905G	Screw (M4 x 12 mm).....	1	38	32201458G	Screw (M3.5 x 10 mm).....	2
15	34120441G	Indicator Bracket (Left) .....	1	39	36100458G	Motor Assembly.....	1
16	34201458G	Rubber Washer .....	1	40	31100458G	Blade Assembly .....	1
17	36303152G	Switch .....	1	41	31102458G	Gearbox Cover.....	1
18	34109441G	Switch Actuator .....	1	42	3290350AG	Washer (M4).....	4
19	33210441G	Compression Spring .....	1	43	3220511AG	Screw (M4 x 12 mm).....	4
20	33402161AG	Compression Spring .....	1	44	31201459G	Fastener Assembly .....	2
21	34108441G	Switch Trigger .....	1		<b>NOT SHOWN</b>		
22	34110441G	Pole.....	1		988000432	Operator's Manual	
23	33214441G	Compression Spring .....	2		3-31-11		
24	34107441G	Rotating Handle Knob .....	1		(Rev:02)		



**WIRING DIAGRAM**