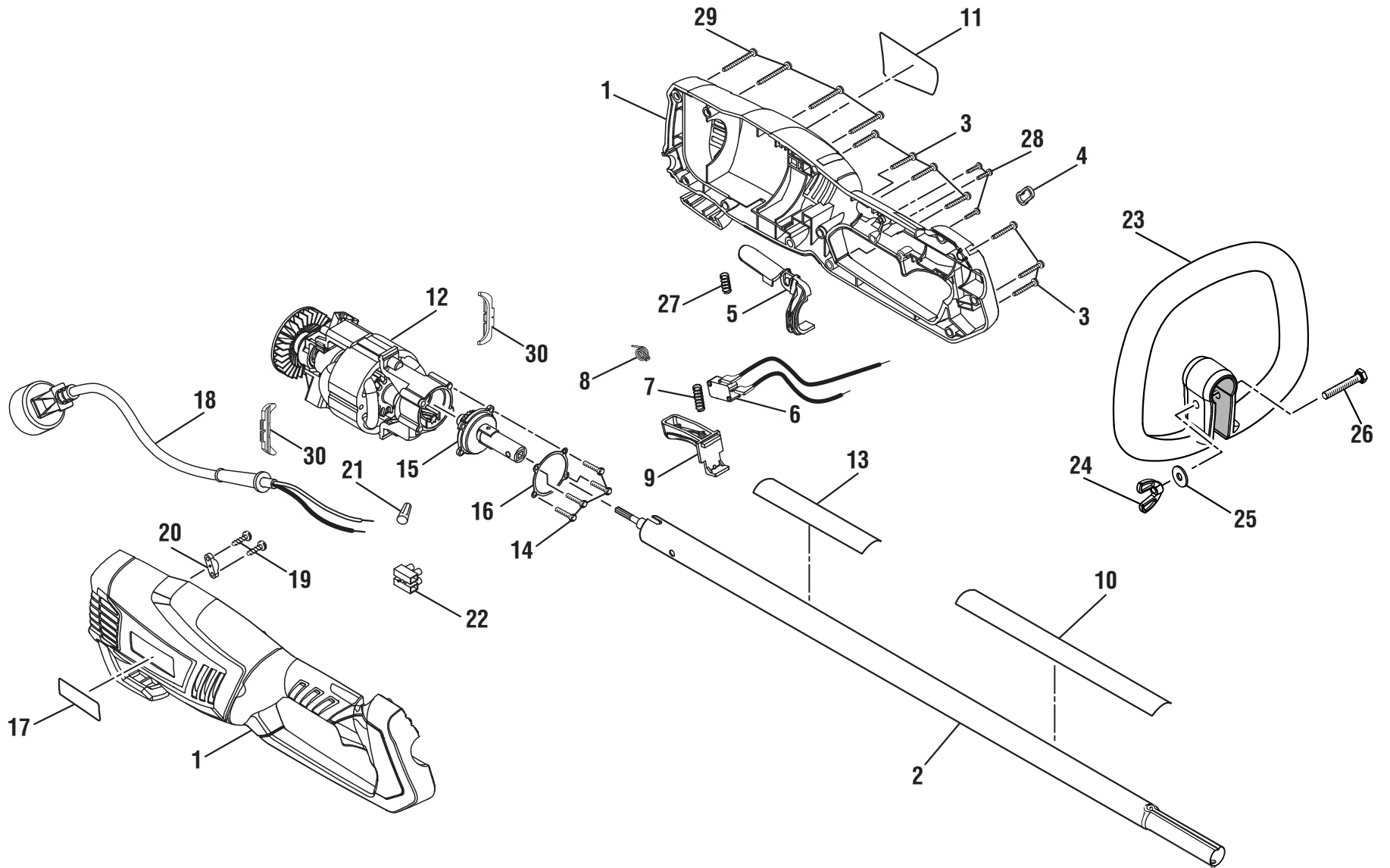


**RYOBI  
ELECTRIC STRING TRIMMER  
MODEL NUMBER RY41131  
REPAIR SHEET**

STRING TRIMMER – MODEL NO. RY41131

FIGURE A  
FIGURA A



## STRING TRIMMER – MODEL NO. RY41131

The model number will be found on a label attached to the motor housing. Always mention the model number in all correspondence regarding your **STRING TRIMMER** or when ordering parts.

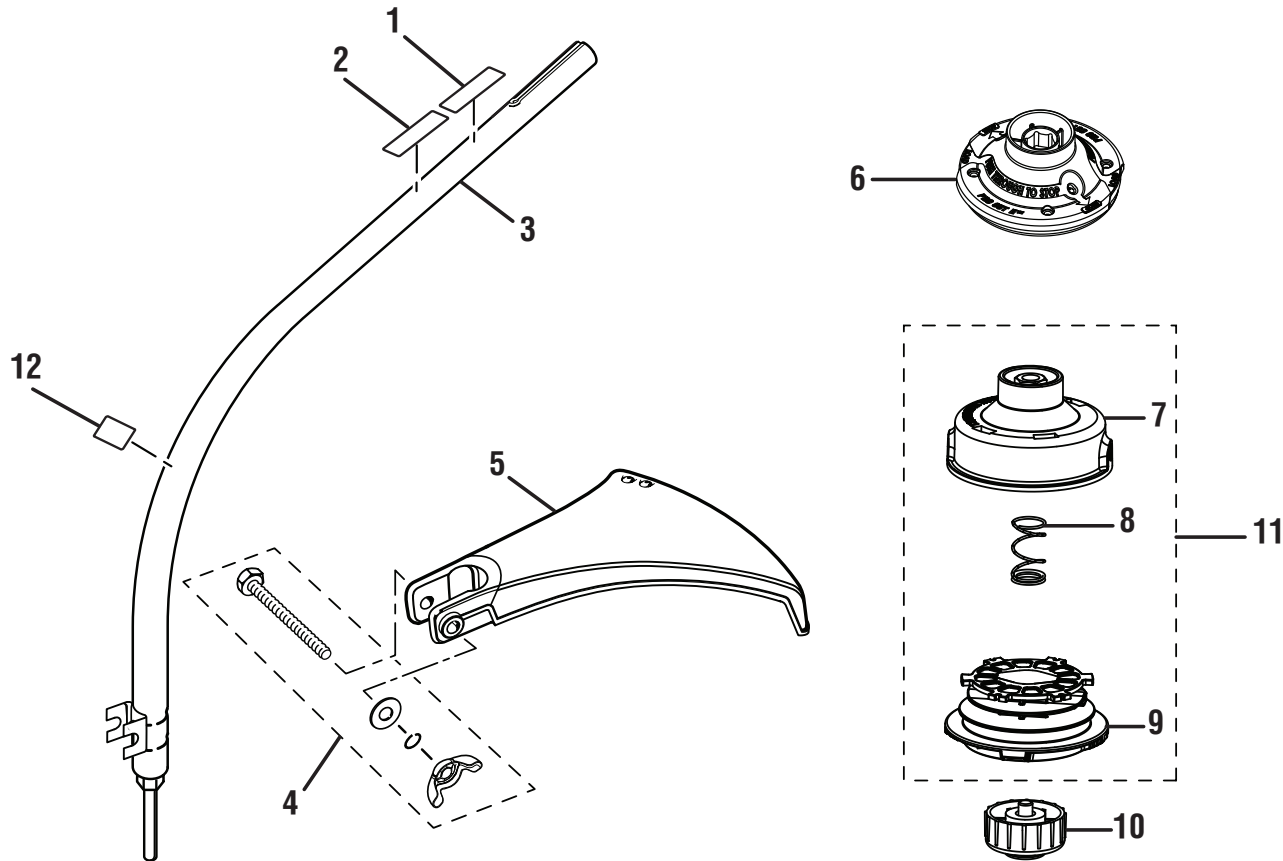
### PARTS LIST

KEY NO	PART NUMBER	DESCRIPTION	QTY	KEY NO	PART NUMBER	DESCRIPTION	QTY
1	31301511AG	Housing Assembly .....	1	17	099627001003	Logo Label .....	1
2	31110711G	Boom Assembly (Incl. Key Nos. 10 and 13).....	1	18	31102511G	Power Cord Assembly .....	1
3	3220313G	Screw (M4 x 14 mm).....	7	19	3220345G	Screw (M3.5 x 12 mm).....	2
4	33301511G	Strap Hook.....	1	20	3410801G	Cord Clamp .....	1
5	34101511AG	Lock-Out Lever .....	1	21	36504161G	Wire Nut .....	1
6	31109511G	Switch Assembly w/Leads.....	1	22	36404167G	Terminal Block .....	1
7	33904511G	Compression Spring .....	1	23	308991001	Front Handle Assembly (Inc. Key Nos. 24-26) .....	1
8	33901511G	Torsion Spring.....	1	24	34104511G	Wing Nut (1/4-20).....	1
9	34101711G	Switch Trigger .....	1	25	678008001	Washer (1/4 in.).....	1
10	099919001902	Warning Label (French and Spanish).....	1	26	660643008	Bolt (1/4-20 x 40 mm) .....	1
11	941588009	Data Label/Warning Label (English) .....	1	27	33902511G	Compression Spring .....	1
12	36101711G	Motor Assembly.....	1	28	32202301G	Screw (M2.9 x 10 mm).....	3
13	940657056	Icon Strip Label.....	1	29	3220106G	Screw (M4 x 18 mm).....	4
14	3220205G	Screw (M4 x 10 mm).....	4	30	34104711G	Motor Mount.....	2
15	31105511G	Gear Assembly .....	1	<b>Not Shown:</b>			
16	34201511G	Rubber Gasket.....	1	990000073	Operator's Manual		
				5-7-12			
				(REV:01)			

**NOTE:** The assembly shown represents an important part of the double insulated system. To avoid the possibility of alteration or damage to the System, service should be performed by your nearest authorized repair center. Contact your nearest retail store for service center information.

STRING TRIMMER – MODEL NO. RY41131

FIGURE B  
FIGURA B



KEY NO.	PART NUMBER	DESCRIPTION	QTY.	KEY NO.	PART NUMBER	DESCRIPTION	QTY.
1	940657032	Warning Label.....	1	7	310643001	Reel Easy String Head Housing .....	1
2	940726013	Logo Label.....	1	8	678022001	Spring .....	1
3	31109711G	Curved Shaft Assembly .....	1	9	310412001	Spool .....	1
4	120642001	Fastener Kit .....	1	10	308042002	Spool Retainer .....	1
5	308052009	Grass Deflector.....	1	11	309562001	Reel Easy String Head Assembly .....	1
6	308925015	Pro Cut II String Head .....	1	12	940680037	Hot Surface Label.....	1