

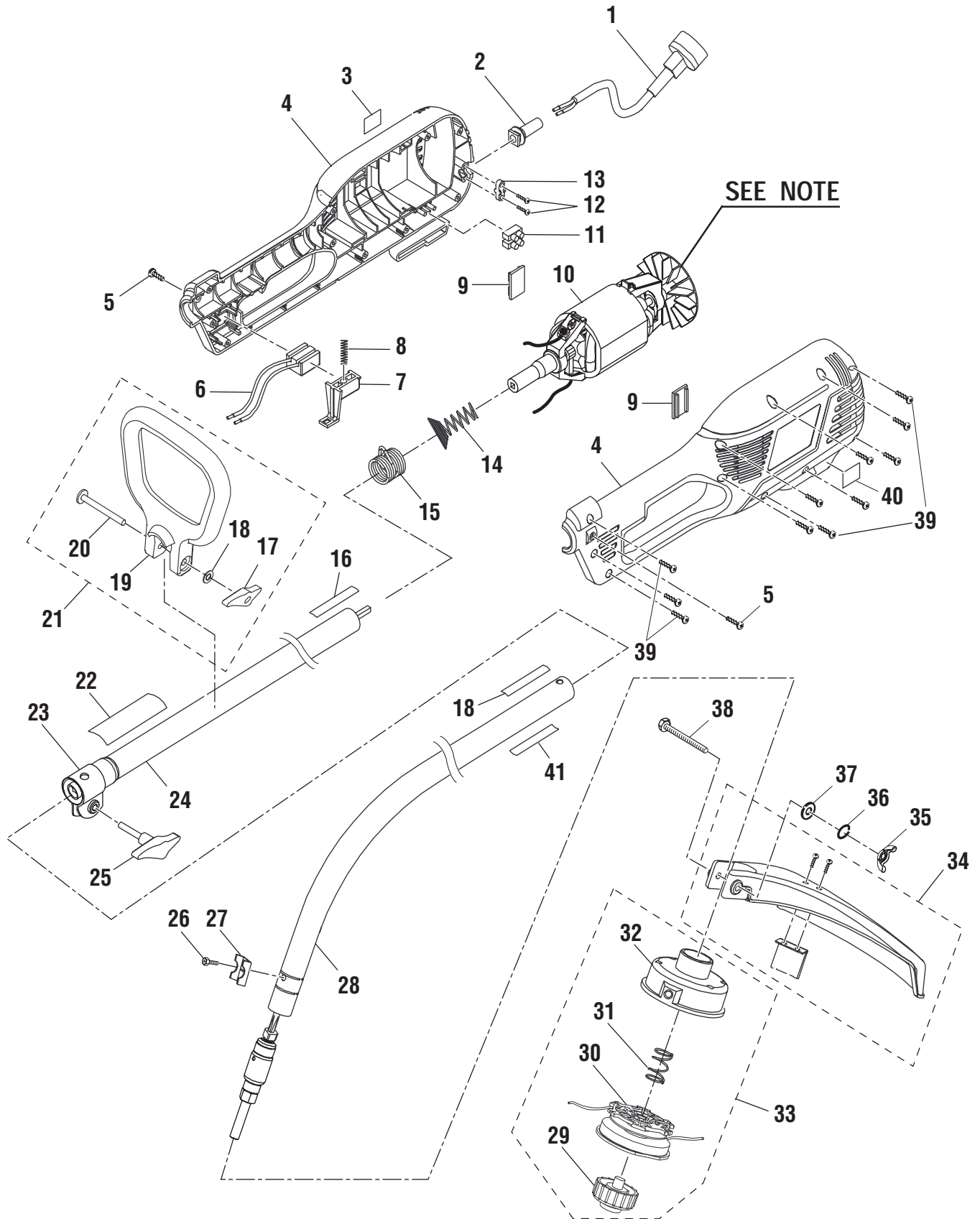
RYOBI

15 in. STRING TRIMMER

MODEL NO. RY41002

REPAIR SHEET

RYOBI 15 in. STRING TRIMMER - MODEL NUMBER RY41002



NOTE: The assembly shown represents an important part of the double insulated system. To avoid the possibility of alteration or damage to the system, service should be performed by your nearest Ryobi Authorized Service Center. For the service center nearest you call 1-800-525-2579.

RYOBI 15 in. STRING TRIMMER – MODEL NUMBER RY41002

The model number will be found on a plate attached to the motor housing. Always mention the model number in all correspondence regarding your **STRING TRIMMER** or when ordering repair parts.

PARTS LIST

Key No.	Part Number	Description	Qty.
1	UT41002A-31	POWER CORD	1
2	UT41002A-30	BEND RELIEF	1
3	RY41002-7	DATA PLATE	1
4	RY41002-4	HOUSING ASSEMBLY	1
5	UT41002A-28	* SCREW (M4 X 10 mm)	2
6	UT41002A-36	SWITCH ASSEMBLY	1
7	UT41002A-38	SWITCH TRIGGER	1
8	UT41002A-37	SPRING	1
9	UT41002A-35	RUBBER CUSHION	2
10	UT41002A-53	MOTOR ASSEMBLY	1
11	UT41002A-34	CONNECTOR ASSEMBLY	1
12	UT41002A-33	* SCREW (M4 X 15 mm)	2
13	UT41002A-32	CORD CLAMP	1
14	UT41002A-39	SPRING	1
15	UT41002A-27	HOOK	1
16	UT41002A-45	ICON LABEL	2
17	UT41002A-25	LOCK KNOB	1
18	UT41002A-24	FLAT WASHER	1
19	UT41002A-23	FRONT HANDLE	1
20	UT41002A-22	* CARRIAGE BOLT (M6 X 50 mm)	1
21	UT41002A-21	AUXILIARY HANDLE ASSEMBLY (INCLUDES KEY NOS. 19 - 22)	1
22	UT41002A-46	WARNING LABEL	1
23	UT41002A-20	EXPAND-IT COUPLER	1
24	RY41002-3	ALUMINUM BOOM ASSEMBLY (INCLUDES KEY NO. 25)	1
25	UT41002A-19	KNOB	1
26	UT41002A-14	* SCREW (M5 X 8 mm)	1
27	UT41002A-15	GRASS DEFLECTOR CLAMP	1
28	RY41002-1	LOWER DRIVE SHAFT HOUSING ASSEMBLY	1
29	UT41002A-2	RETAINING CAP	1
30	UT41002A-3	SPOOL WITH LINE	1
31	UT41002A-4	COMPRESSION SPRING	1
32	UT41002A-5	TRIMMER HEAD WITH EYELETS	1
33	UT41002A-1	STRING HEAD ASSEMBLY (INCLUDES KEY NOS. 31 - 34)	1
34	UT41002A-6	GRASS DEFLECTOR ASSEMBLY	1
35	UT41002A-11	* WING NUT (1/4 in.)	1
36	UT41002A-12	SPRING WASHER	1
37	UT41002A-13	WASHER	1
38	UT41002A-10	* HEX BOLT (1/4 in.)	1
39	UT41002A-43	* SCREW (M4 X 18 mm)	11
40	RY41002-8	LOGO PLATE, LEFT HOUSING	1
41	UT41002A-47	LOWER BOOM WARNING LABEL	1
	983000-388	OPERATOR'S MANUAL	1
	983000-388R	REPAIR SHEET	
	5-20-04		

* Standard Hardware Item – May Be Purchased Locally