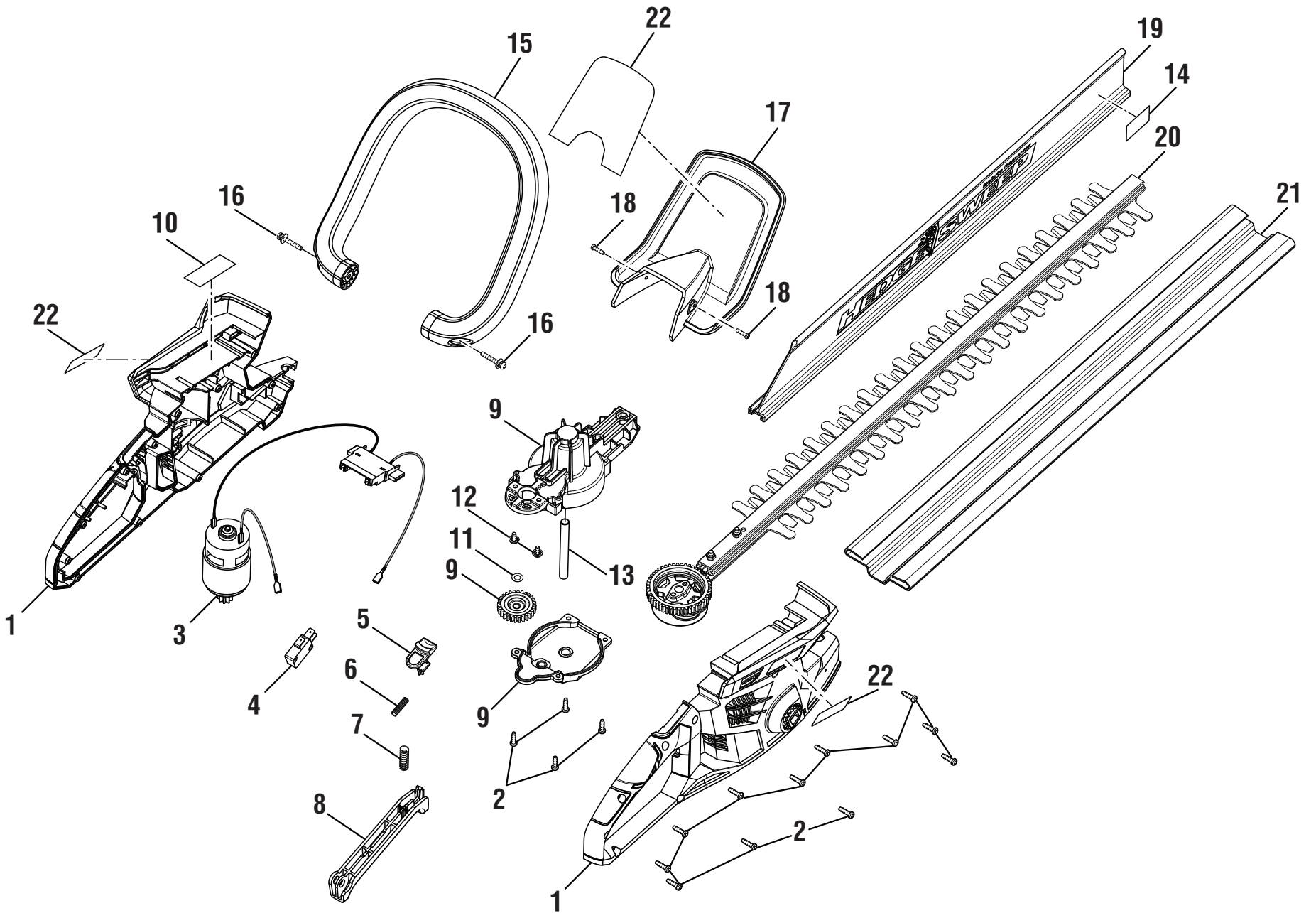


**RYOBI
40 VOLT HEDGE TRIMMER
MODEL NO. RY40601
REPAIR SHEET**

RYOBI 40 VOLT HEDGE TRIMMER - MODEL NUMBER RY40601



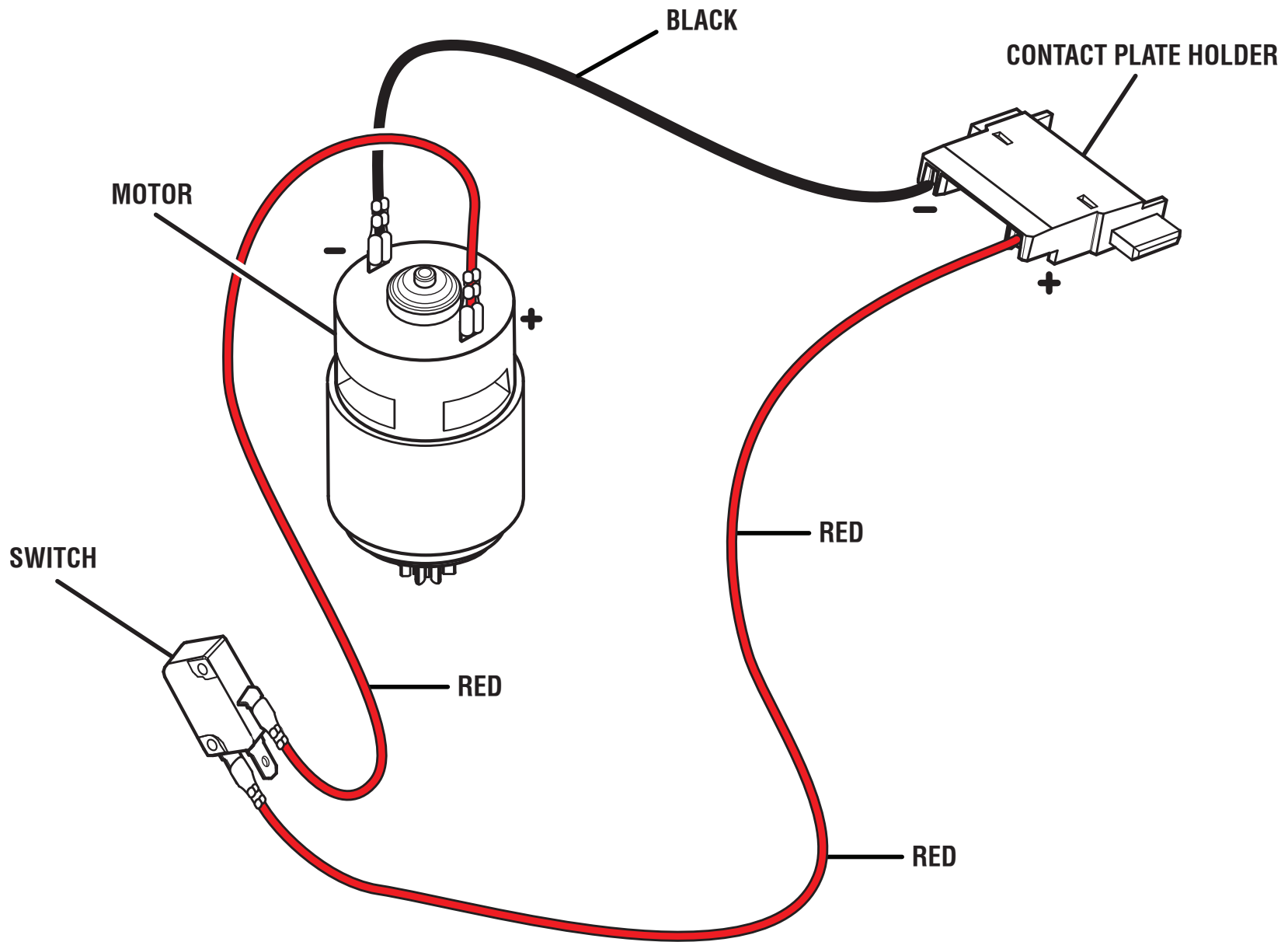
RYOBI 40 VOLT HEDGE TRIMMER – MODEL NUMBER RY40601

The model number will be found on a label attached to the motor housing. Always mention the model number in all correspondence regarding your **HEDGE TRIMMER** or when ordering repair parts.

PARTS LIST

KEY NO.	PART NUMBER	DESCRIPTION	QTY	KEY NO.	PART NUMBER	DESCRIPTION	QTY
1	129312001	Housing Assembly.....	1	16	660137007	Screw w/Washer (M3 x 12 mm).....	2
2	661817001	Screw (M4 x 14 mm).....	16	17	525603001	Safety Guard	1
3	129313001	Motor and Contact Plate Assembly	1	18	660203087	Screw (M3 x 12 mm).....	2
4	760947001	Switch Assembly	1	19	525609001	Hedge Sweep.....	1
5	525605001	Lock Off Button	1	20	129314001	Blade Assembly.....	1
6	679055007	Compression Spring.....	1	21	525406001	Scabbard.....	1
7	679055008	Compression Spring.....	1	22	940657094	Icon Label.....	1
8	525604001	Trigger.....	1	23	941770001	Logo Label.....	2
9	312032001	Gear, Gear Case and Gear Cover Assembly	1	Not Shown:			
10	941588027	Data Label	1		130186006	Battery Pack	
11	670914001	Washer (ID6.2 x OD11 x 0.3t).....	1		140181001	Charger	
12	661861001	Screw (M4 x 12 mm).....	2		990000277	Operator's Manual	
13	620995001	Output Shaft.....	1		1-15-16		
14	941769001	Warning Label.....	1		(Rev:04)		
15	311130001	Front Handle Assembly (Inc. Key No. 16).....	1				

RYOBI 40 VOLT HEDGE TRIMMER - MODEL NUMBER RY40601



WIRING DIAGRAM