

RYOBI
MODEL NO. RY40021
REPAIR SHEET

RYOBI TECHNOLOGIES, INC.

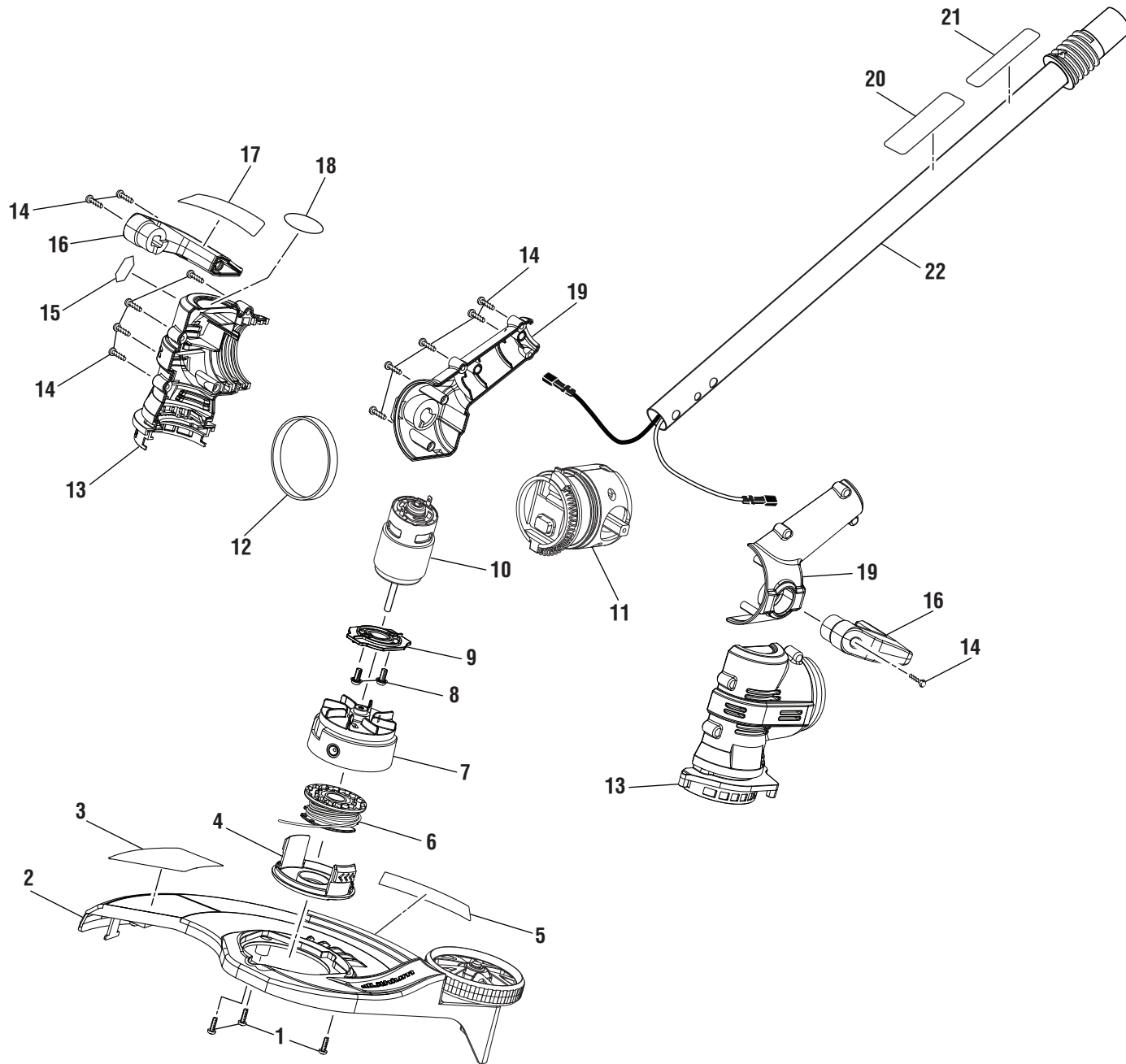
1428 Pearman Dairy Road, Anderson, SC 29625

Post Office Box 1207, Anderson, SC 29625

Phone 1-800-860-4050

www.ryobitools.com

RY40021 STRING TRIMMER/EDGER ATTACHMENT

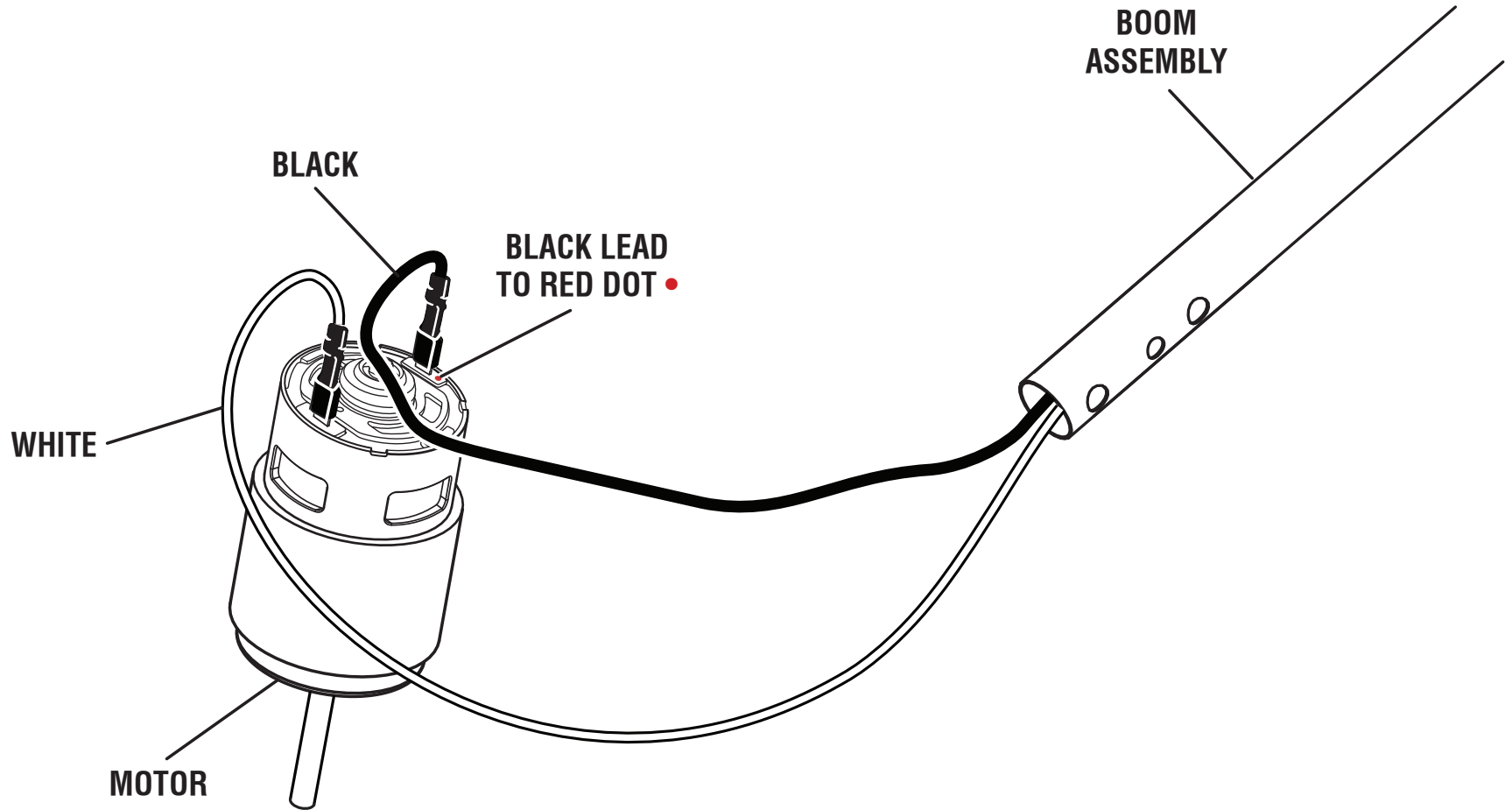


RY40021 STRING TRIMMER/EDGER ATTACHMENT

The model number will be found on a label attached to the motor housing. Always mention the model number of your **ATTACHMENT** when requesting service or ordering repair parts.

KEY NO.	PART NUMBER	DESCRIPTION	QTY
1	660208055	Screw (M4 x 12 mm, Pan Hd.)	3
2	310904001	Grass Deflector Assembly	1
3	941774001	Adjustable Cutting Width Label.....	1
4	522994001	Spool Cover.....	1
5	941648002	No Bump Label	1
6	310917001	Spool Assembly	1
7	129305001	String Head Assembly	1
8	660502002	Screw (M5 x 8 mm)	2
9	522926001	Mounting Plate	1
10	741921002	Motor	1
11	129304001	Pivot Assembly.....	1
12	522923001	Glamour Ring	1
13	129307001	Motor Housing Assembly	1
14	661817001	Screw (M4 x 14 mm, T15 Torx Pan Hd.).....	12
15	941766002	Rotate Label	1
16	129308001	Foot Pedal Assembly	1
17	941773001	Step For Edging Label.....	1
18	941772001	Lithium 40V Motor Housing Label.....	1
19	129309001	Lower Housing Assembly.....	1
20	940749010	Data/Warning Icon Label.....	1
21	941616003	Ryobi Connexion Label	1
22	310896001	Lower Boom Assembly	1
	Not Shown		
	990000216	Operator's Manual	
	6-24-13 (Rev:02)		

RY40021 STRING TRIMMER/EDGER ATTACHMENT



WIRING DIAGRAM