

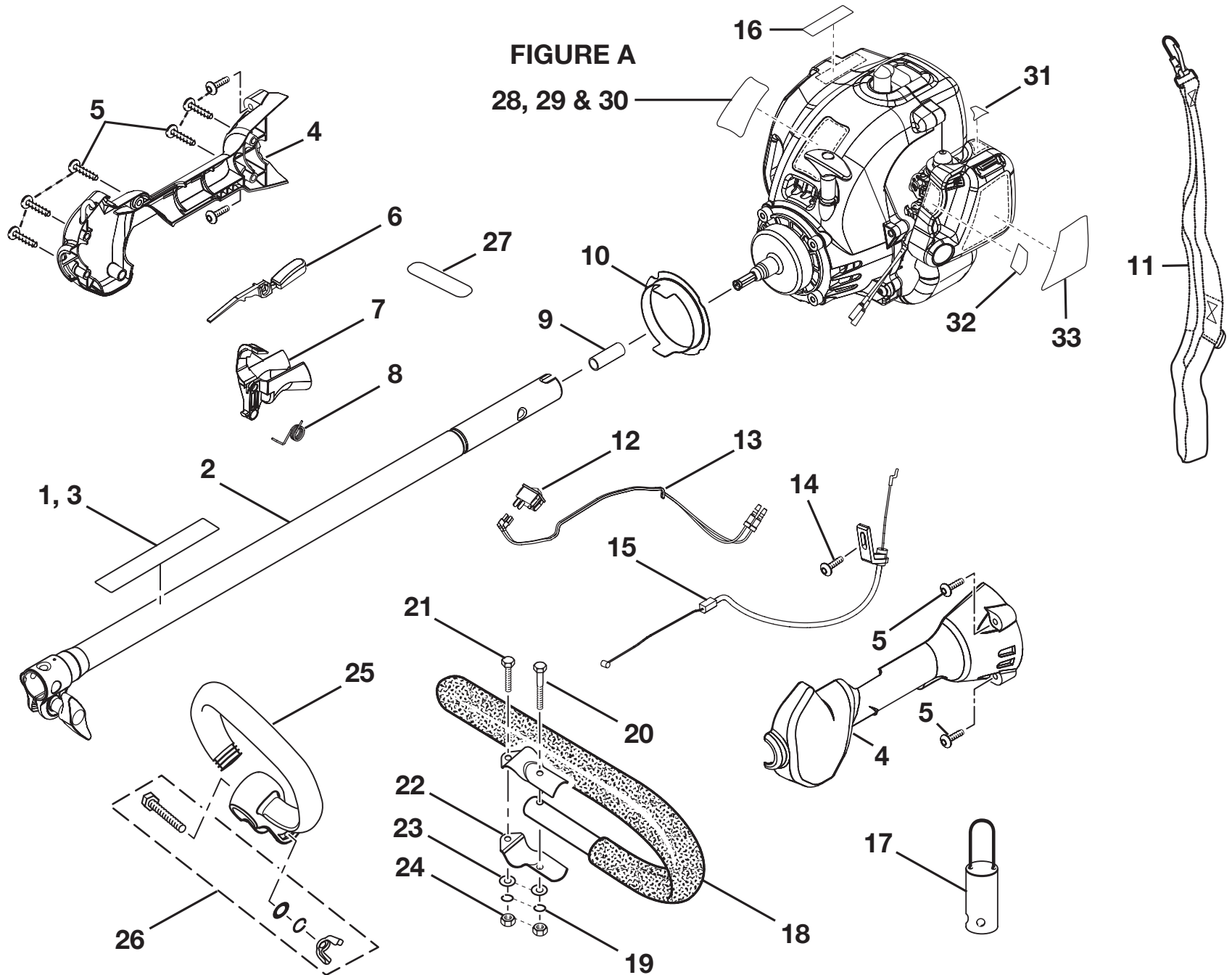


**30cc STRING TRIMMERS  
30cc BRUSHCUTTERS  
REPAIR SHEET**

**MODEL NUMBERS**

**RY30000, RY30000A, RY30000B,  
RY30002, RY30002A, RY30002B,  
RY30004, RY30004A, RY30004B, RY30004D  
RY30021A, RY30041A  
RY30061A**

**RYOBI 30CC STRING TRIMMERS AND BRUSHCUTTERS MODEL NUMBERS – RY30000, RY30000A, RY30000B, RY30002, RY30002A, RY30002B, RY30004, RY30004A, RY30004B, RY30004D, RY30021A, RY30041A, AND RY30061A**

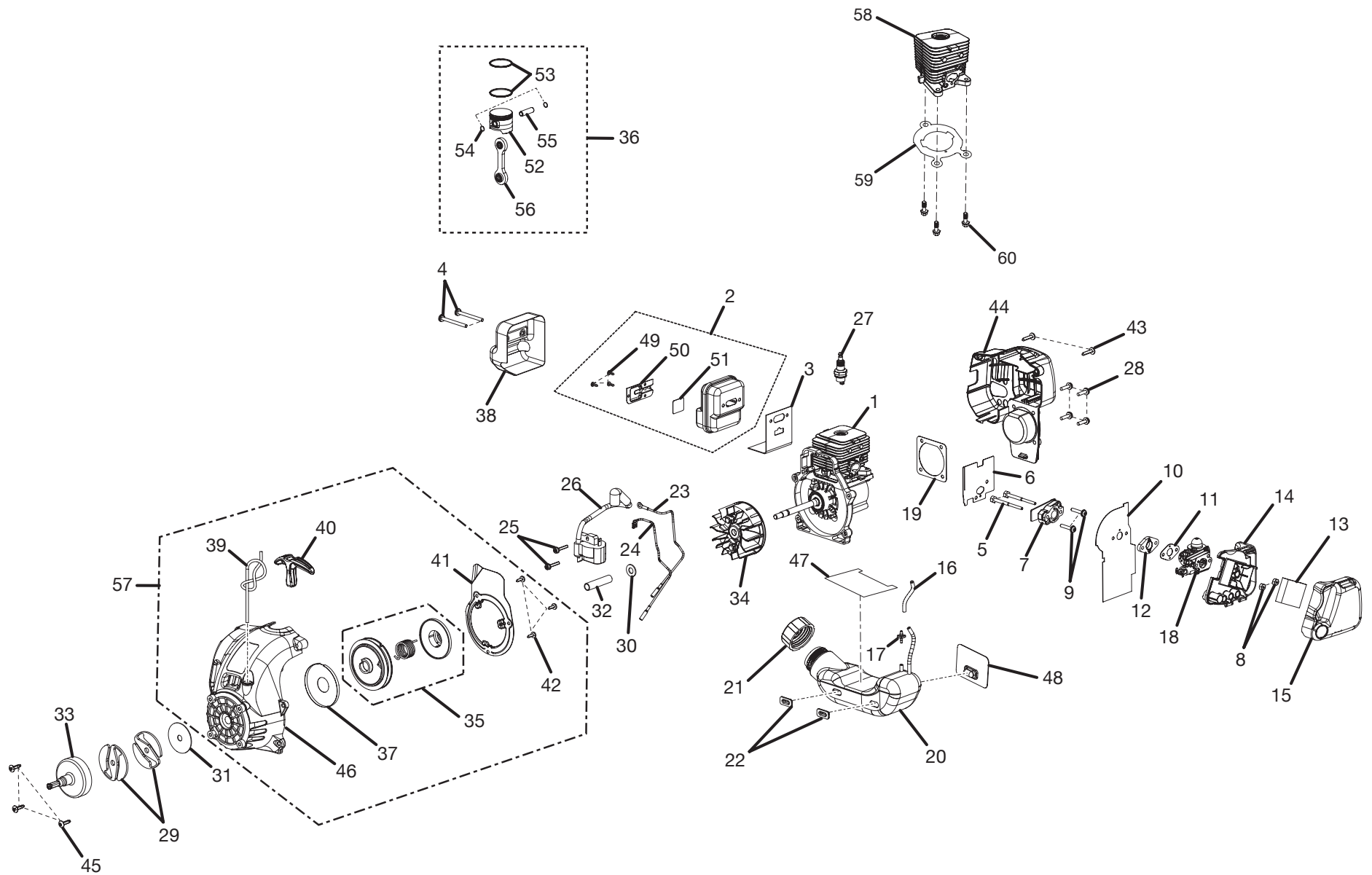


**RYOBI 30CC STRING TRIMMERS AND BRUSHCUTTERS MODEL NUMBERS – RY30000, RY30000A, RY30000B, RY30002, RY30002A, RY30002B, RY30004, RY30004A, RY30004B, RY30004D, RY30021A, RY30041A, AND RY30061A**

**FIGURE A PARTS LIST**

<b>KEY NO.</b>	<b>PART NUMBER</b>	<b>DESCRIPTION</b>	<b>QTY.</b>	<b>KEY NO.</b>	<b>PART NUMBER</b>	<b>DESCRIPTION</b>	<b>QTY.</b>
1	984032002	WARNING DECAL (CS and SS) . . . . .	1	18	A08130	“J” HANDLE AND GRIP (BC) . . . . .	1
2	985383001	BOOM ASSEMBLY (CS and SS) . . . . .	1	19	83009	LOCK WASHER (BC) . . . . .	2
	985384001	BOOM ASSEMBLY, UPPER (BC) . . . . .	1	20	82278	HEX HEAD BOLT (BC) . . . . .	1
3	984102002	WARNING DECAL (BC) . . . . .	1	21	82496	SCREW (BC) . . . . .	1
4	985382001	HANDLE ASSEMBLY (W/OUT SCREWS) .	1	22	00422	HANDLE BAR CLAMP (BC) . . . . .	2
5	82589	HANDLE SCREW . . . . .	9	23	84004	WASHER (BC) . . . . .	2
6	PS06258	TRIGGER LOCK . . . . .	1	24	81242	HEX NUT (BC) . . . . .	2
7	PS06259	TRIGGER . . . . .	1	25	06542A	“D” HANDLE (CS and SS) . . . . .	1
8	PS01718	SPRING . . . . .	1	26	PA00249	FASTENER PARTS KIT (CS and SS) . . . .	1
9	986493001	SPRING . . . . .	1	27	984240001	ON/OFF LABEL . . . . .	1
10	985835001	RING GUARD . . . . .	1	28	985162001	MODEL LABEL (CS30) . . . . .	1
11	944701	SHOULDER STRAP (BC) . . . . .	1	29	985163001	MODEL LABEL (SS30) . . . . .	1
12	PS02764	SWITCH (MOMENTARY CONTACT) . . . .	1	30	985164001	MODEL LABEL (BC30) . . . . .	1
13	PA00387	LEAD ASSEMBLY . . . . .	1	31	985595001	PRIMER LABEL . . . . .	1
14	82538	SCREW . . . . .	1	32	985593001	CHOKE LABEL . . . . .	1
15	PS01177	THROTTLE CABLE . . . . .	1	33	985592001	STARTING LABEL . . . . .	1
16	985157001	LOGO PLATE . . . . .	1		983000401	OPERATOR’S MANUAL	
17	PS02155	HANGER CAP . . . . .	1		983000462	CUSTOMER SHEET	
					983000401R	REPAIR SHEET (REV:04)	
					05-03-06		

**RYOBI 30CC STRING TRIMMERS AND BRUSHCUTTERS MODEL NUMBERS – RY30000, RY30000A, RY30000B, RY30002, RY30002A, RY30002B, RY30004, RY30004A, RY30004B, RY30004D, RY30021A, RY30041A, AND RY30061A**



**RYOBI 30CC STRING TRIMMERS AND BRUSHCUTTERS MODEL NUMBERS – RY30000, RY30000A, RY30000B, RY30002, RY30002A, RY30002B, RY30004, RY30004A, RY30004B, RY30004D, RY30021A, RY30041A, AND RY30061A**

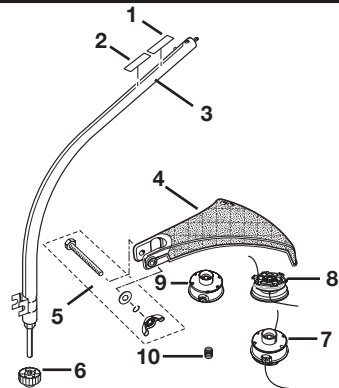
KEY NO.	PART NUMBER	DESCRIPTION	QTY.	KEY NO.	PART NUMBER	DESCRIPTION	QTY.
1	985873001	SHORT BLOCK ASSEMBLY .....	1	31	98929A	WASHER.....	1
2	308092008	MUFFLER ASSEMBLY .....	1	32	PS05267	SPACER.....	1
3	984760001	MUFFLER GASKET .....	1	33	PA01613	DRUM & CONNECTOR .....	1
4	88083	* SCREW (TORX HD. SEMS).....	2	34	986153001	ROTOR PAWL ASSEMBLY .....	1
5	660346002	BOLTS.....	2	35	308374001	STARTER PULLEY ASSEMBLY .....	1
6	984762001	HEAT DAM GASKET .....	1	36	985872001	PISTON ASSEMBLY (INCL. KEY NO. 54-58) .	1
7	98768A	HEAT DAM .....	1	37	A98773A	SPRING & CONTAINER .....	1
8	81208	LOCK NUT HX 10-24.....	2	38	984743001	HEAT SHEILD (CAT.).....	1
9	093221	* SCREW (TORX PAN HD. SEMS).....	2	39	9789902	STARTER ROPE.....	1
10	9074002	CARBURETOR GASKET .....	1	40	PS06114	STARTER GRIP .....	1
11	98766A	CARBURETOR GASKET .....	1	41	984837001	BAFFLE.....	1
12	5945603	SPACER.....	1	42	82543	* SCREW (8-16 X .5 in. THD. FORM. ).....	3
13	98760	FILTER ( ** ITEM NO. AP04107).....	1	43	82537	* SCREW (10-14 X .875 in. THD. FORM. ) .....	2
14	PS02113	BOX AIR FILTER CONEHEAD.....	1	44	984829001	REAR HOUSING.....	1
15	PS02309	COVER AIR BOX.....	1	45	82538	SCREW (ST-155).....	3
16	0143910	TUBING, RUBBER (63.5 MM).....	1	46	PA01641	STARTER HOUSING W/EYELET .....	1
17	985304001	FITTING, INLINE FUEL .....	1	47	900999002	TANK INSULATION GASKET .....	1
18	985624001	CARBURETOR, ZAMA .....	1	48	985767001	BUMPER.....	1
19	06443A	GASKET, C/C COVER.....	1	49	984759001	* SCREW (6-20 X .25 in. TRI-LOBULAR).....	3
20	PA01624	FUEL TANK W/CAP ASSEMBLY .....	1	50	985596001	OUTLET TUBE.....	1
21	985210001	FUEL CAP ASSEMBLY ( **ITEM NO. AP04108) .	1	51	984753001	SCREEN.....	1
22	98792	BUMPER.....	2	52	985871001	PISTON W/PINS .....	1
23	A06964	LEAD W/TERMINALS .....	1	53	03179	PISTON RING 30CC .....	2
24	A06963	LEAD .....	1	54	65261	RETAINING RING.....	2
25	82540	* SCREW (8-32 X 1 in. THREAD FORMING).....	2	55	00238A	PISTON PIN .....	1
26	850080001	IGNITION MODULE (W/ 3 SEC. KILL) .....	1	56	PA00190	CONNECTING ROD ASSEMBLY .....	1
27	PS02227	SPARK PLUG ( **ITEM NO. RCJ6Y OR NGK BPMR7A).....	1	57	985544001	COMPLETE STARTER ASSEMBLY .....	1
28	984812001	* SCREW (10-24 X .75 in. PAN HD. TORX).....	4	58	985524002	CYLINDER, 30CC .....	1
29	00242	CLUTCH .....	2	59	985259001	CYLINDER GASKET .....	1
30	PS05268	WASHER.....	1	60	PS02807	SCREW (12-24 X 5/8 in.).....	3

\* STANDARD HARDWARE ITEM – MAY BE PURCHASED LOCALLY

\*\* STOCK ITEM – MAY BE SECURED THROUGH THE HARDWARE DEPARTMENT OF MOST HOME DEPOT STORES

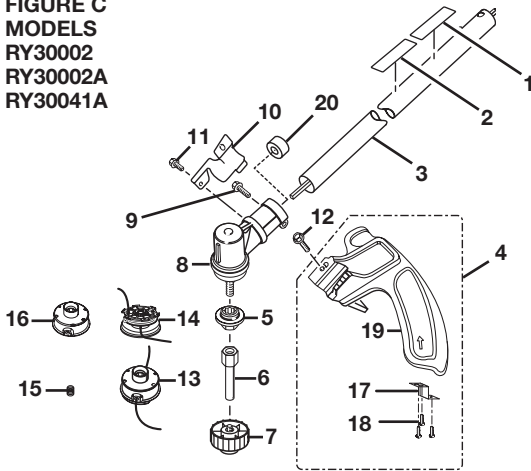
**RYOBI 30CC STRING TRIMMERS AND BRUSHCUTTERS MODEL NUMBERS – RY30000, RY30000A, RY30000B, RY30002, RY30002A, RY30002B, RY30004, RY30004A, RY30004B, RY30004D, RY30021A, RY30041A, AND RY30061A**

**FIGURE B  
MODELS  
RY30000  
RY30000A  
RY30021A**



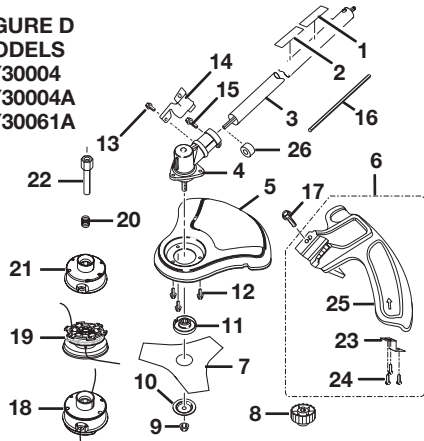
KEY NO.	PART NUMBER	DESCRIPTION	QTY.
1	985165001	EXPAND-IT LABEL .....	1
2	984032002	WARNING DECAL. ....	1
3	985569003	CURVED SHAFT ASSEMBLY .....	1
4	985623002	GRASS DEFLECTOR .....	1
5	PA00249	FASTENER PARTS KIT .....	1
6	A98866A	SPOOL RETAINER (RHT) (**ITEM NUMBER A98866A) .....	1
7	AH04102	COMPLETE STRING HEAD(.080 in.) .....	1
8	PA0387A	SPOOL AND STRING (.080 in.) .....	1
9	A98231A	HOUSING AND EYELET .....	1
10	06713	SPRING. ....	1

**FIGURE C  
MODELS  
RY30002  
RY30002A  
RY30041A**



KEY NO.	PART NUMBER	DESCRIPTION	QTY.
1	985165001	EXPAND-IT LABEL .....	1
2	984032002	WARNING DECAL. ....	1
3	985391001	STRAIGHT SHAFT ASSEMBLY. ....	1
4	984443004	GRASS DEFLECTOR ASSEMBLY .....	1
5	984931001	WASHER. ....	1
6	PS04438	SHAFT ADAPTER .....	1
7	A97910A	SPOOL RETAINER (LHT). ....	1
8	984244001	GEAR HEAD .....	1
9	983381007	SCREW (1/4-20 X 1-1/4 in.) .....	1
10	PS04420	CLAMP .....	1
11	983774003	SCREW (10-24 X 5/8 in.) .....	1
12	983379078	SCREW (1/4-20 X 1-1/4 in.) .....	1
13	AP04101	STRINGHEAD .....	1
14	984238001	SPOOL AND STRING (.095 in.) .....	1
15	06713	SPRING. ....	1
16	A98231A	HOUSING W/EYELET .....	1
17	PS04379	BLADE .....	1
18	82543	SCREW, THREAD FORMING .....	3
19	984099001	GRASS DEFLECTOR .....	1
20	985625001	SPACER .....	1

**FIGURE D  
MODELS  
RY30004  
RY30004A  
RY30061A**



KEY NO.	PART NUMBER	DESCRIPTION	QTY.
1	985165001	EXPAND-IT LABEL .....	1
2	984102002	BRUSHCUTTER SAFETY LABEL.....	1
3	985390001	STRAIGHT SHAFT ASSEMBLY .....	1
4	PA01364	GEAR HEAD .....	1
5	PS03538	BRUSHCUTTER GUARD.....	1
6	984443004	GRASS DEFLECTOR ASSEMBLY .....	1
7	06297	TRI-ARC BLADE .....	1
8	A97910A	SPOOL RETAINER (LHT) .....	1
9	04277	LOCK NUT .....	1
10	04409	CUPPED WASHER .....	1
11	04168A	FLANGED WASHER .....	1
12	88049	SCREW (10-24 X 1/2 in.) .....	3
13	983774003	SCREW (10-24 X 5/8 in.) .....	1
14	PS04420	CLAMP.....	1
15	983381007	SCREW (1/4-20 X 1-1/4 in.).....	1
16	00063	HOLDING PIN .....	1
17	983379078	SCREW (1/4-2- X 1-1/4 in.).....	1
18	AP04101	STRINGHEAD (.095 IN.).....	1
19	984238001	SPOOL AND STRING (.095 in.).....	1
20	06713	SPRING.....	1
21	A98231A	HOUSING AND EYELET .....	1
22	PS04438	ADAPTER SHAFT .....	1
23	PS04379	BLADE .....	1
24	82543	SCREW, THREAD FORMING .....	3
25	984099001	GRASS DEFLECTOR.....	1
26	985625001	SPACER .....	1