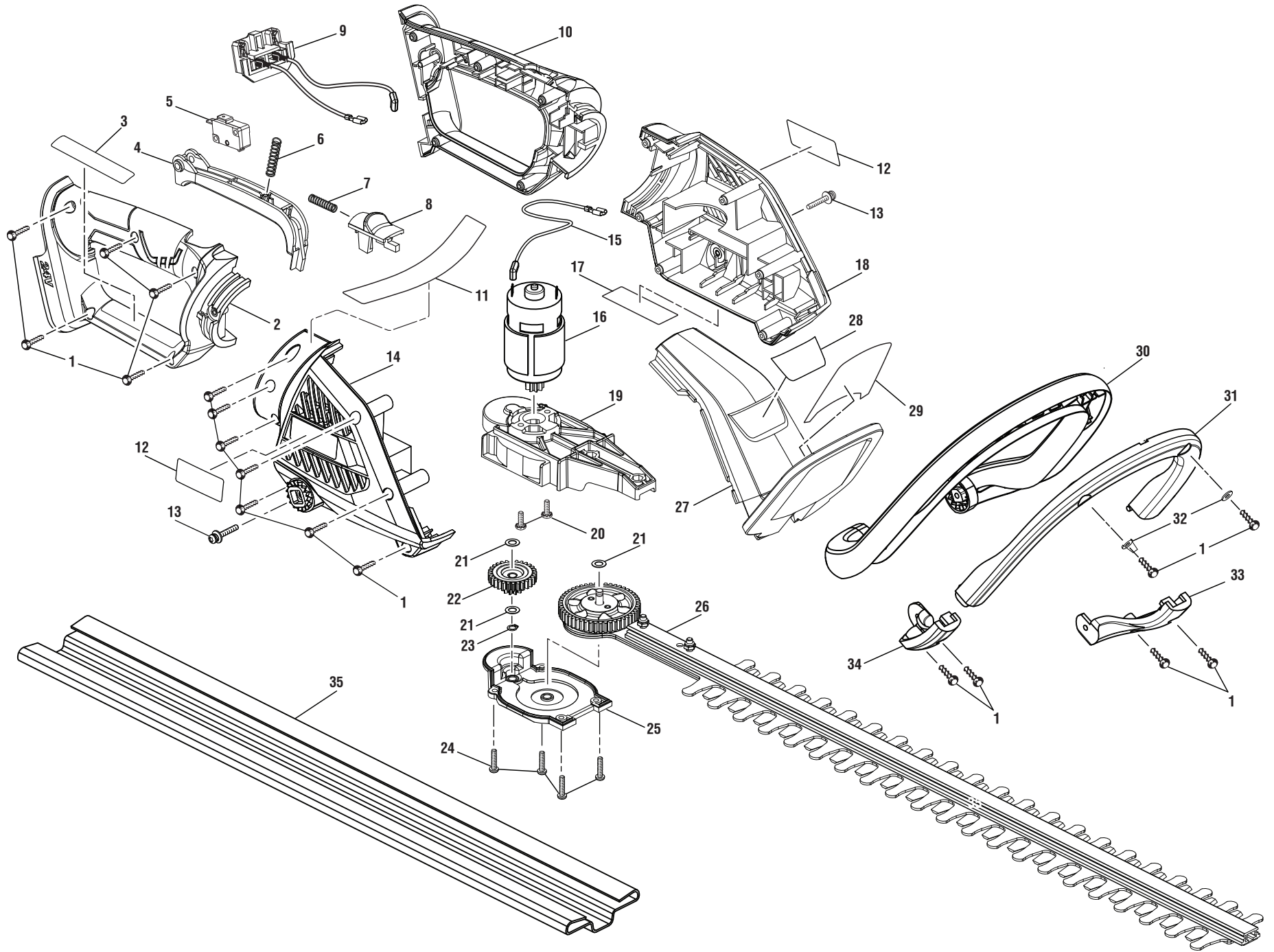


RYOBI
24 VOLT HEDGE TRIMMER
MODEL NO. RY24602
REPAIR SHEET

RYOBI 24 VOLT HEDGE TRIMMER – MODEL NUMBER RY24602

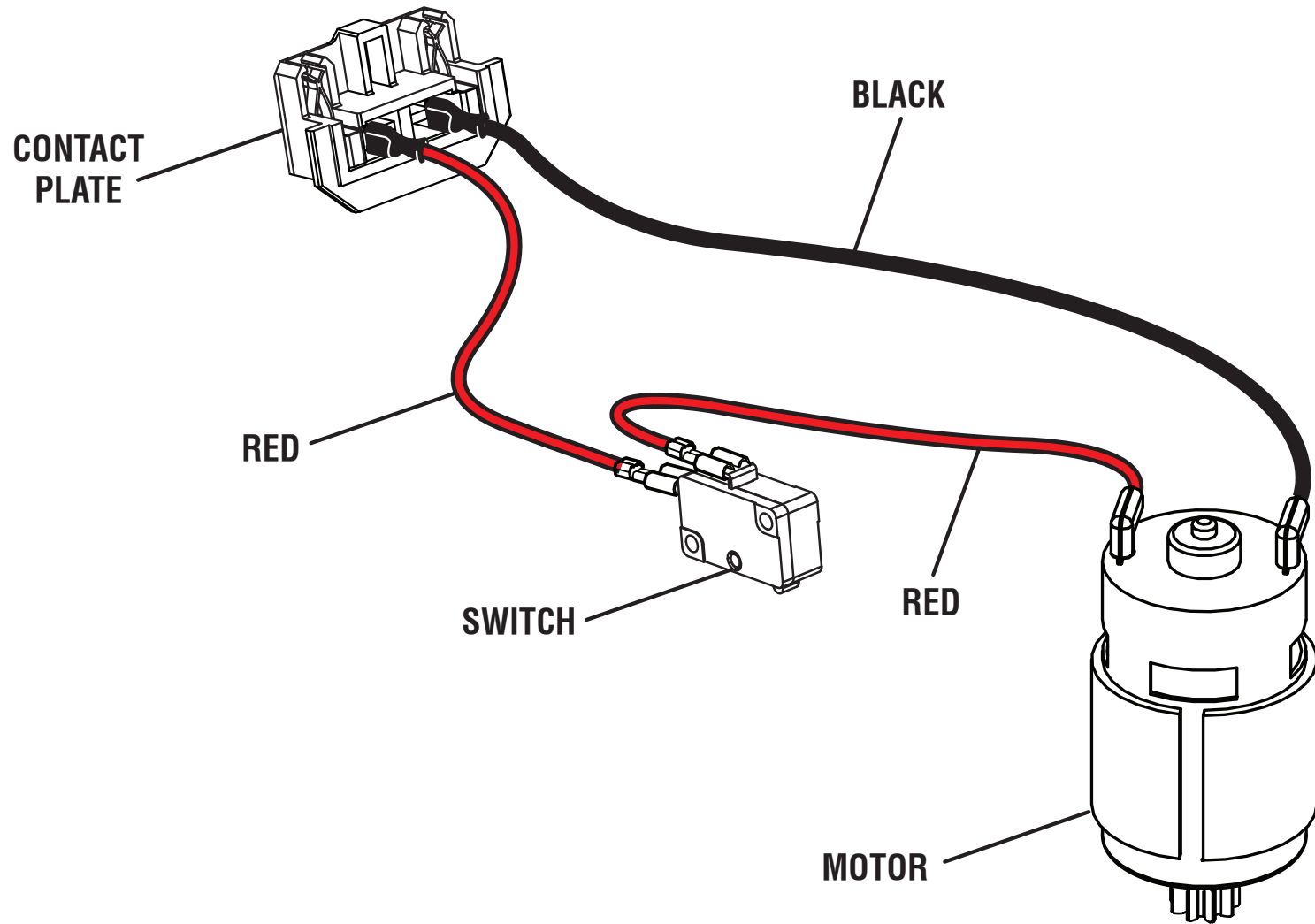


RYOBI 24 VOLT HEDGE TRIMMER – MODEL NUMBER RY24602

The model number will be found on a label attached to the motor housing. Always mention the model number in all correspondence regarding your **HEDGE TRIMMER** or when ordering repair parts.

PARTS LIST

| KEY NO. | PART NUMBER | DESCRIPTION | QTY | KEY NO. | PART NUMBER | DESCRIPTION | QTY |
|---------|-------------|-------------------------------------|-----|-------------------|-------------------|--|-----|
| 1 | 661817001 | Screw (M4 x 14 mm)..... | 18 | 24 | 660208052 | Screw (M4 x 16 mm, Pan Hd.)..... | 4 |
| 2 | 311039001 | Rear Handle (Right) | 1 | 25 | 311066001 | Gear Box Cover | 1 |
| 3 | 940657092 | Icon Label | 1 | 26 | 311952001 | Gear and Blade Assembly | 1 |
| 4 | 525308001 | Switch Trigger..... | 1 | 27 | 525313001 | Motor Cover Assembly | 1 |
| 5 | 760689001 | On/Off Switch | 1 | 28 | 941765001 | 24V Lithium Label (Small) | 1 |
| 6 | 673129001 | Compression Spring (Trigger)..... | 1 | 29 | 940875003 | Warning Label..... | 1 |
| 7 | 673130001 | Compression Spring (Button) | 1 | 30 | 525311001 | Front Handle Support | 1 |
| 8 | 525309001 | Lock Out Button | 1 | 31 | 525312001 | Front Handle Cover | 1 |
| 9 | 291465001 | Contact Plate Holder Assembly | 1 | 32 | 690969001 | Washer (OD10 x ID4.2 x 0.1t) | 2 |
| 10 | 311038001 | Rear Handle (Left)..... | 1 | 33 | 525385001 | Rear Handle Cover (Left) | 1 |
| 11 | 941766001 | 24V Lithium Label (Large) | 1 | 34 | 525403001 | Rear Handle Cover (Right) | 1 |
| 12 | 940114178 | Logo Label..... | 2 | 35 | 525406001 | Scabbard | 1 |
| 13 | 660137010 | Lock Washer (M4 x 28)..... | 2 | 36 | 311127001 | Rear Handle Assembly | 1 |
| 14 | 311068001 | Motor Housing (Right) | 1 | 37 | 311130001 | Front Handle Assembly | 1 |
| 15 | 770432115 | Terminal Wire (340 mm, Black) | 1 | 38 | 311129001 | Motor, Gear Box and Blade Assembly | 1 |
| 16 | 210306001 | Motor and Pinion Assembly | 1 | 39 | 311128001 | Motor Housing Assembly | 1 |
| 17 | 941588026 | Data Label | 1 | Not Shown: | | | |
| 18 | 311067001 | Motor Housing (Left)..... | 1 | 130207001 | Battery Pack | | |
| 19 | 311065001 | Gear Box Base | 1 | 140156002 | Charger | | |
| 20 | 660137001 | Screw (M4 x 12 mm)..... | 2 | 990000225 | Operator's Manual | | |
| 21 | 670914001 | Washer (OD11 x ID6.2 x 0.3t) | 3 | 4-9-13 | | | |
| 22 | 610114001 | Gear..... | 1 | (Rev:01) | | | |
| 23 | 670704001 | Retaining Ring (External) | 1 | | | | |



WIRING DIAGRAM