

**RYOBI**  
**24 VOLT STRING TRIMMER/EDGER ATTACHMENT**  
**MODEL NUMBER RY24021**  
**REPAIR SHEET**

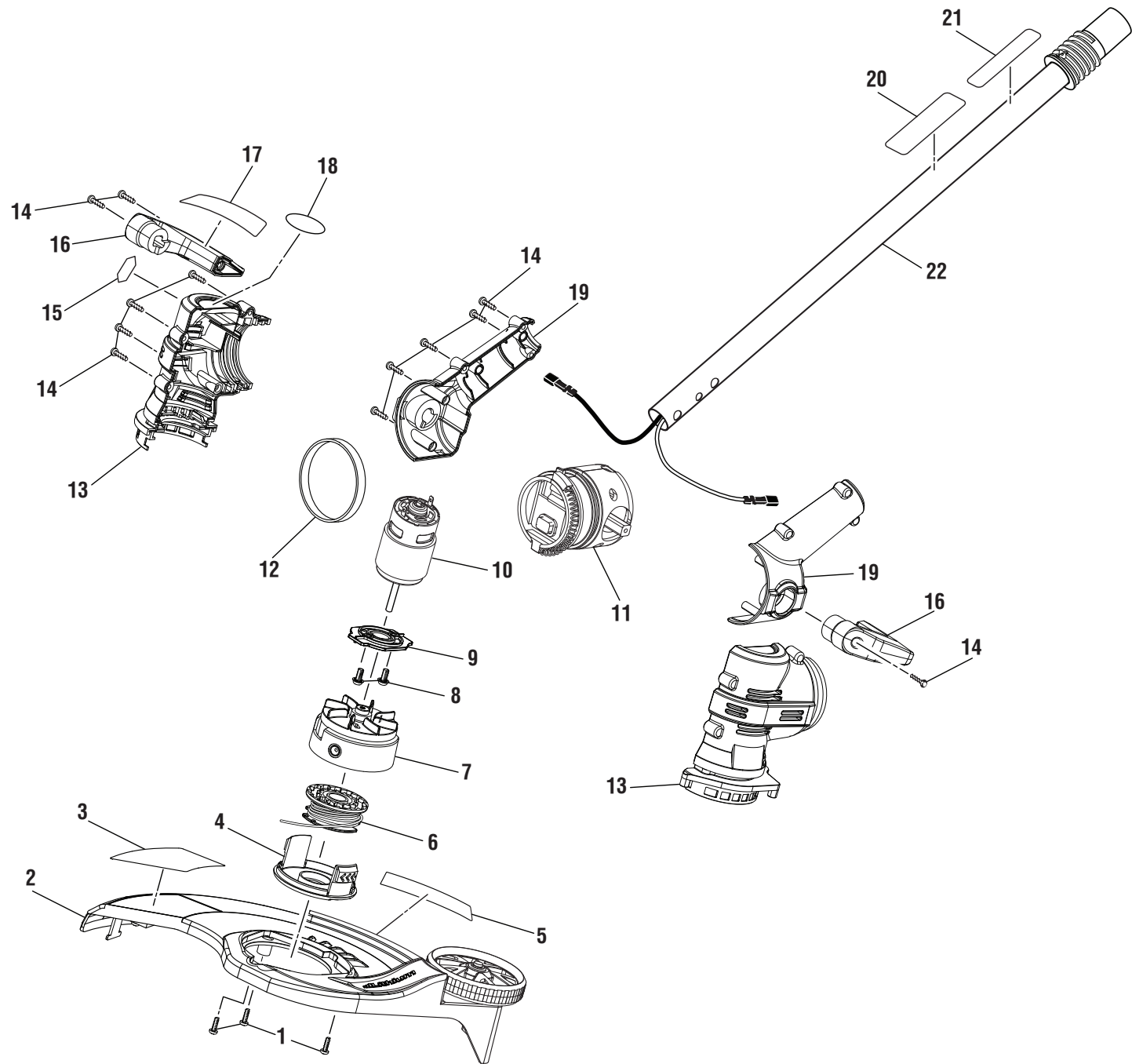
**RYOBI TECHNOLOGIES, INC.**

1428 Pearman Dairy Road, Anderson, SC 29625

Post Office Box 1207, Anderson, SC 29625

Phone 1-800-860-4050

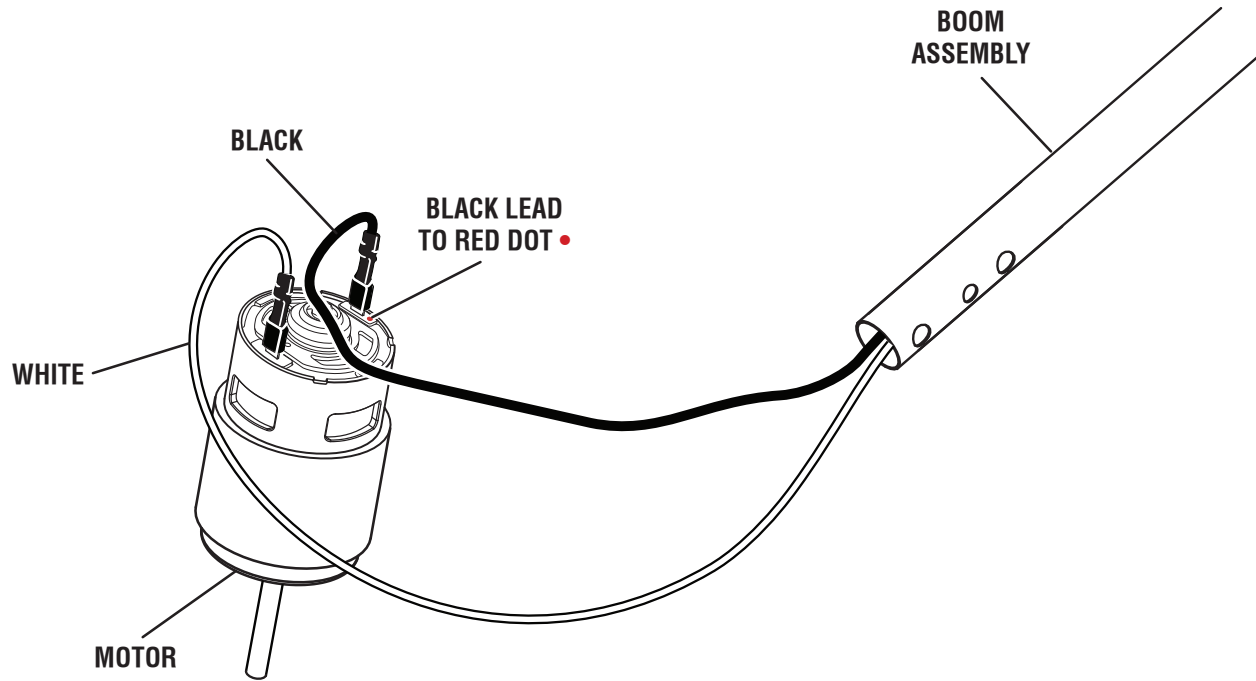
[www.ryobitools.com](http://www.ryobitools.com)



## 24 VOLT STRING TRIMMER/EDGER ATTACHMENT – MODEL NUMBER RY24021

The model number will be found on a label attached to the motor housing. Always mention the model number of your **STRING TRIMMER/EDGER ATTACHMENT** when requesting service or ordering repair parts.

KEY NO.	PART NUMBER	DESCRIPTION	QTY
1	660208055	Screw (M4 x 12 mm, Pan Hd.).....	3
2	310904001	Grass Deflector Assembly .....	1
3	941774001	Adjustable Cutting Width Label .....	1
4	522994001	Spool Cap (AC14HC).....	1
5	941648002	No Bump Label.....	1
6	310917001	Spool w/Line (AC14RSL) .....	1
7	129305001	String Head Assembly .....	1
8	660502002	Screw w/Lock Washer (M5 x 8 mm, Pan Hd.).....	2
9	522926001	Motor Mounting Plate .....	1
10	230049018	Motor (24 Volt) .....	1
11	129304001	Pivot Assembly .....	1
12	522923001	Glamour Ring.....	1
13	129307001	Motor Housing Assembly .....	1
14	661817001	Screw (M4 x 14 mm, T15 Torx Pan Hd.).....	12
15	941766002	Rotate Label .....	1
16	129308001	Foot Pedal Assembly.....	1
17	941773001	Edging Label.....	1
18	941772002	Lithium 24V Motor Housing Label .....	1
19	129309001	Lower Housing Assembly .....	1
20	940749011	Data/Warning Label .....	1
21	941616003	Ryobi Connexion Label.....	1
22	310896001	Lower Boom Assembly.....	1
	<b>NOT SHOWN</b>		
	990000214	Operator's Manual	
	4-23-13		
	(Rev:01)		



**WIRING DIAGRAM**