

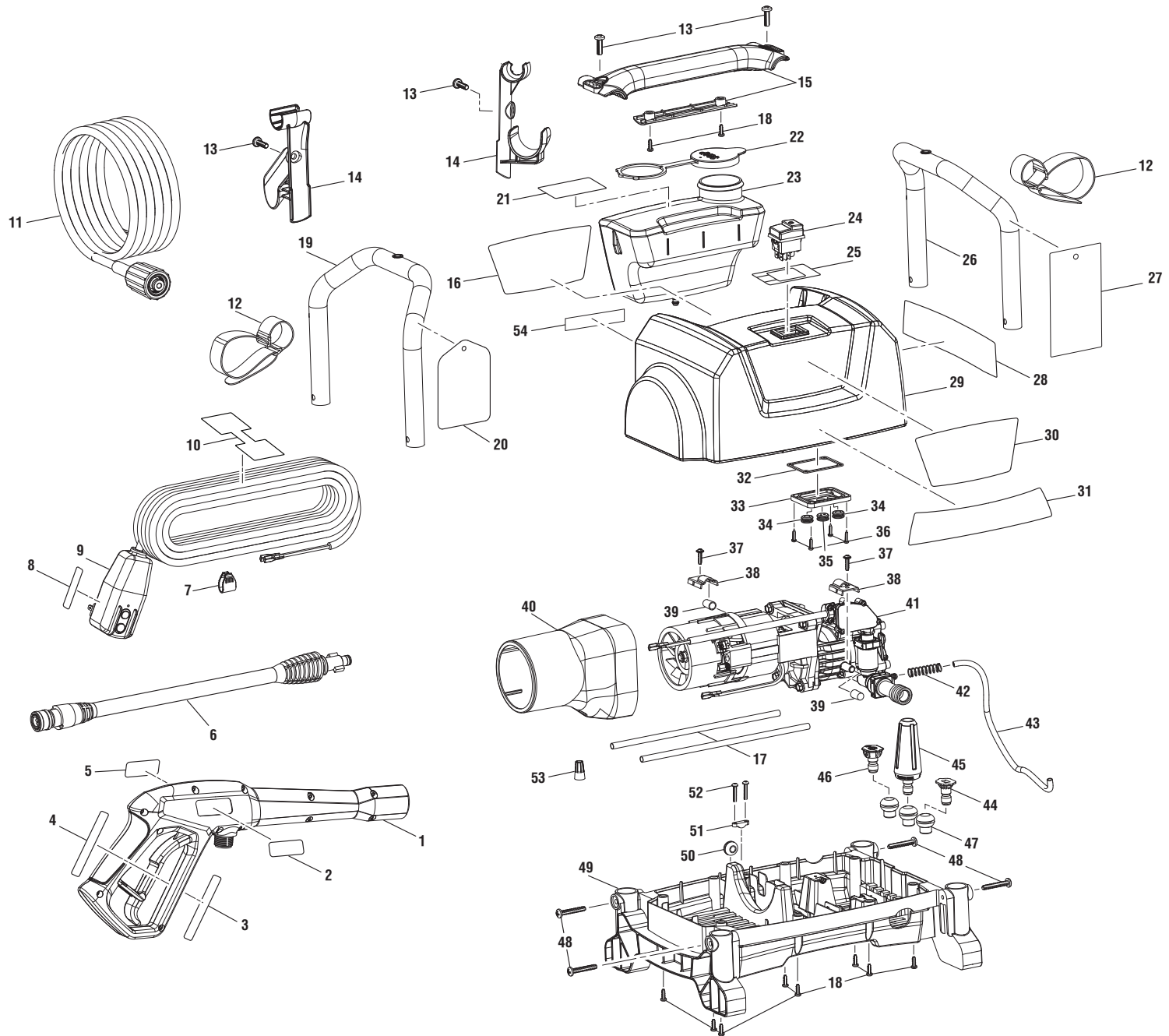
**RYOBI**  
**Pressure Washer**  
**Manufacturing No. 090079403**  
**Item No. RY141812G**  
**Replacement Parts List**

**Techtronic Industries Power Equipment**

P.O. Box 1288  
Anderson, SC 29622  
Phone 1-800-860-4050  
[www.ryobitools.com](http://www.ryobitools.com)

RYOBI PRESSURE WASHER – ITEM NO. RY141812G

FIGURE A



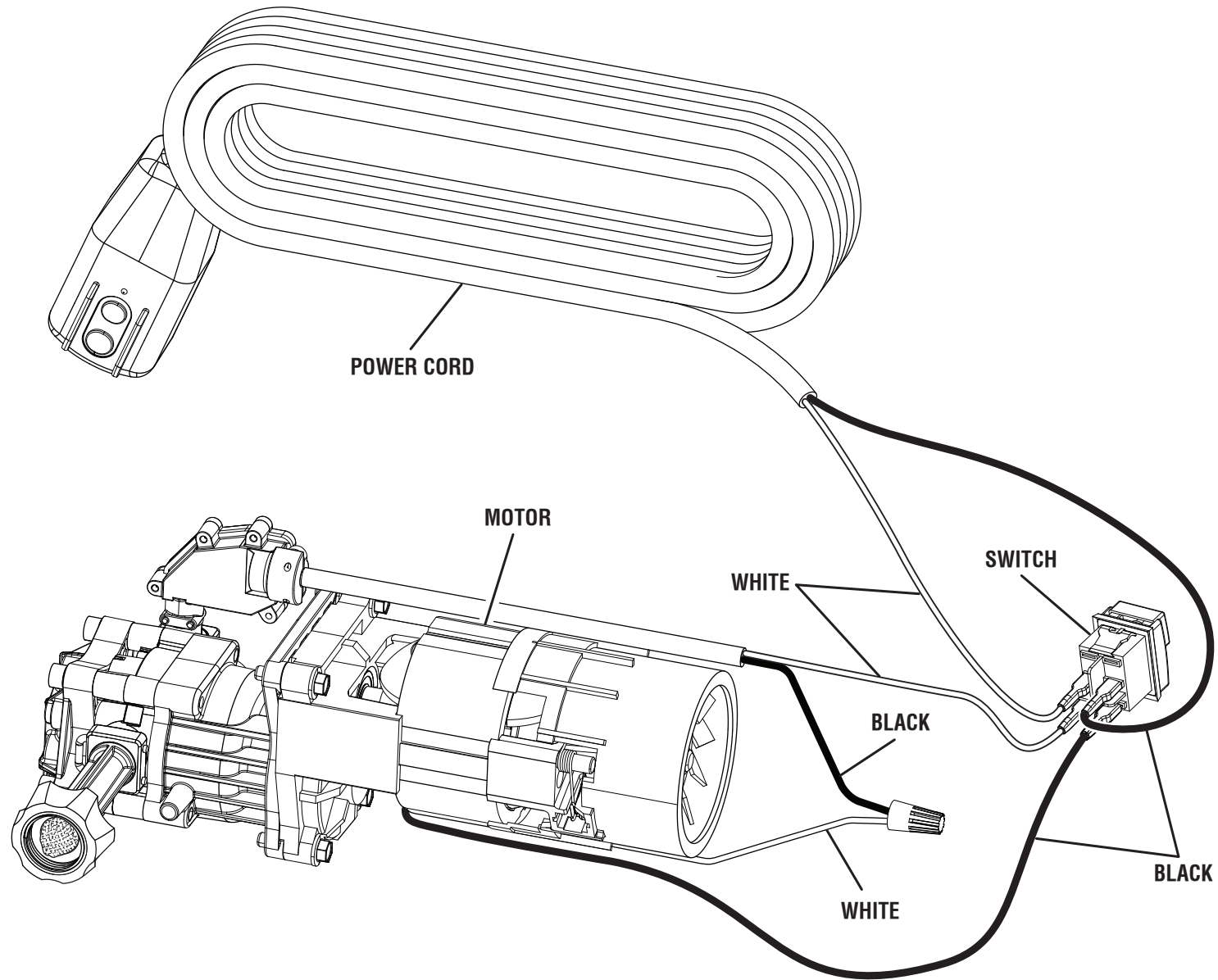
## RYOBI PRESSURE WASHER – ITEM NO. RY141812G

The model number will be found on a plate attached to pump housing. Always mention the model number in all correspondence regarding your **PRESSURE WASHER** or when ordering replacement parts.

### FIGURE A PARTS LIST

KEY NO.	PART NUMBER	DESCRIPTION	QTY	KEY NO.	PART NUMBER	DESCRIPTION	QTY
1	308760059	Trigger Handle.....	1	30	940851376	Logo Label.....	1
2	940786053	Trigger Handle Logo Label.....	1	31	940851375	Performance Label.....	1
3	940904003	Rating Label.....	1	32	570440016	Switch Cover Gasket.....	1
4	940324024	Trigger Handle Warning Label (French/Spanish).....	1	33	570417002	Switch Cover.....	1
5	940324040	Trigger Handle Warning Label (English).....	1	34	561383012	Grommet.....	2
6	308494075	Spray Wand Assembly.....	1	35	561383024	Grommet.....	1
7	528499001	Cord Clip.....	1	36	661403015	Screw (M2.9 x 14 mm).....	4
8	940603006	GFCI Plug Label.....	1	37	661403014	Screw w/Washer (M4.2 x 16 mm).....	2
9	290426022	Power Cord.....	1	38	636204001	Motor Clamp Plate.....	2
10	940324013	Cord Wrap Label.....	1	39	570570002	Shock Absorbing Bushing.....	2
11	308835074	High Pressure Hose.....	1	40	522038007	Air Guide.....	1
12	310801007	Hose Holder Strap.....	2	41	<b>NOTE A</b>	Motor and Pump Assembly.....	1
13	660481020	Bolt (M6 x 20 mm, Phillips Hd.).....	4	42	678857020	Detergent Tank Spring (Compression Spring).....	1
14	205089001	Wand Holder Assembly.....	1	43	561399013	Soap Tank Hose.....	1
15	205089002	Handle w/Cover Assembly.....	1	44	308706013	Soap Nozzle.....	1
16	940851382	Quick Start Label.....	1	45	308311014	Turbo Nozzle.....	1
17	570113003	Terminal Sleeve.....	2	46	308698023	15° Nozzle.....	1
18	661403016	Screw (M4.2 x 15 mm).....	10	47	561383021	Rubber Grommet.....	3
19	308582060	Frame Assembly (Right).....	1	48	660590004	Screw (M5.5 x 35 mm, Phillips Hd.).....	4
20	961039007	Nozzle Hangtag.....	1	49	522038009	Lower Housing.....	1
21	941608005	Soap Dilution Label.....	1	50	561383025	Housing Rubber Grommet.....	1
22	310650004	Detergent Tank Cap.....	1	51	522051003	Cord Clamp.....	1
23	310658013	Detergent Tank.....	1	52	661610008	Screw (M3.5 x 20 mm).....	2
24	760504007	On/Off Switch.....	1	53	870601001	Wire Nut.....	1
25	940698033	On/Off Label.....	1	54	941486008	Inquiries Label.....	1
26	308582059	Frame Assembly (Left).....	1		<b>Not Shown:</b>		
27	940473008	Danger Hangtag (Spanish).....	1		995000536	Operator's Manual	
28	940707038	Danger Icon Label (English/French).....	1		995000537	Quick Reference Guide	
29	522032048	Upper Housing.....	1				

**NOTE A:** Techtronic Industries Power Equipment, Inc. will not provide a complete motor/pump as a replacement part. Contact our service department for assistance.



WIRING DIAGRAM