

ITEM	PART NO.	DESCRIPTION	QTY.
1	7104998	FRAME, BASE ASSEMBLY WITH LABELS	1
2	7106229	HANDLE, REAR ASSEMBLY WITH LABELS	1
†	2.1	HANDLE REAR, FLAT BLACK	1
†	2.2	PLATE, DASHBOARD, SILVER	1
†	2.3	HOLDER, RUBBER, 5 NOZZLE	1
†	2.4	SCREW, 1/4-20 TORX PANHEAD	4
	3	7106230 HANDLE, QUICK START WITH LABELS	1
	4	7103610 ENGINE KIT, HONDA GX390 W/SHAFT KEY AND LABELS	1
	5	7105453 SHAFT KEY, 1/4" X 1/4" X 1-1/2"	1
	6	7105462 PUMP ASSEMBLY	1
¶	6.1	7104820 PUMP, 3900PSI@4.0GPM	1
	6.2	7100051 ADAPTER, INLET GHT(F) X 1/2 NPT(F)	1
	6.3	7100019 COUPLER, OUTLET 3/8" QC(F) X 3/8" NPT(F)	1
	6.4	7101331 THERMAL RELIEF VALVE	1
	6.5	7102470 PLUG, 3/8" NPT(M)	1
	6.6	SHAFT KEY, 1/4" X 1/4" X 1-1/2"	1
	6.7	HOSE AND FILTER KIT	1
†	6.8	BOLT, 5/16-24	4
†	6.9	WASHER	4
	7	7105376 WHEEL KIT	2
†	7.1	WHEEL, 13.0IN STEEL, BLACK	1
†	7.2	WASHER, 5/8 FLAT ZINC PLATED	2
†	7.3	CLIP, E-TYPE .0625 STEEL	2
	8	7103292 FOOT KIT, RUBBER FOOT & SCREW	2
†	8.1	RUBBER FOOT, 1.50IN X 0.625IN	1
†	8.2	SCREW, 1/4-20 TORX PANHEAD	1
	9	7103277 HARDWARE KIT, ENGINE MOUNT	1
†	9.1	BOLT, 3/8-16	4
†	9.2	NUT, WHIZ, 3/8	4
	10	7103279 HARDWARE KIT, PUMP MOUNTING	1
†	10.1	BOLT, 3/8-16 X 1.25	4
†	10.2	WASHER, 3/8 SPLIT LOCK	4
	11	7104570 HARDWARE KIT, HANDLE MOUNTING	2
†	11.1	BOLT, SADDLE 5/16-18 X 2.00	1
†	11.2	KNOB, HANDLE TIGHT5/16-18	1
	12	7101683 NOZZLE SET, 5 PC. 4.0	1
	13	7105186 HANDLE GRIP, SILVER	1
	14	7104848 GUN, 5075PSI, 3/8 QC(M) X M22(F)	1
	15	7103261 LANCE, 31IN - 1/4 QC(F) X M22(M)	1
	16	7103642 HOSE, 3/8 X 50FT X 4500PSI 3/8QC	1
	17	7102207 SOAP HOSE AND FILTER KIT	1
*	18	7102045 TOOL, NOZZLE CLEANING, UNIVERSAL	1
*	19	7105325 MANUAL, OPERATOR'S PS4240	1
*	20	7103852 BOX, SHIPPING PS4240	1

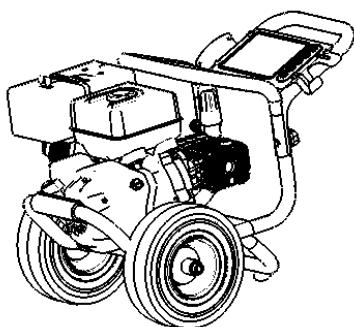
\* NOT SHOWN

† NOT SOLD SERPARETLY

¶

**PUMP IDENTIFICATION TABLE**

MACHINE SERIAL #	PUMP PART NO.	PUMP KIT NO.
128497 THROUGH 134836	7103231	7103561
134837 THROUGH PRESENT	7104820	7105462



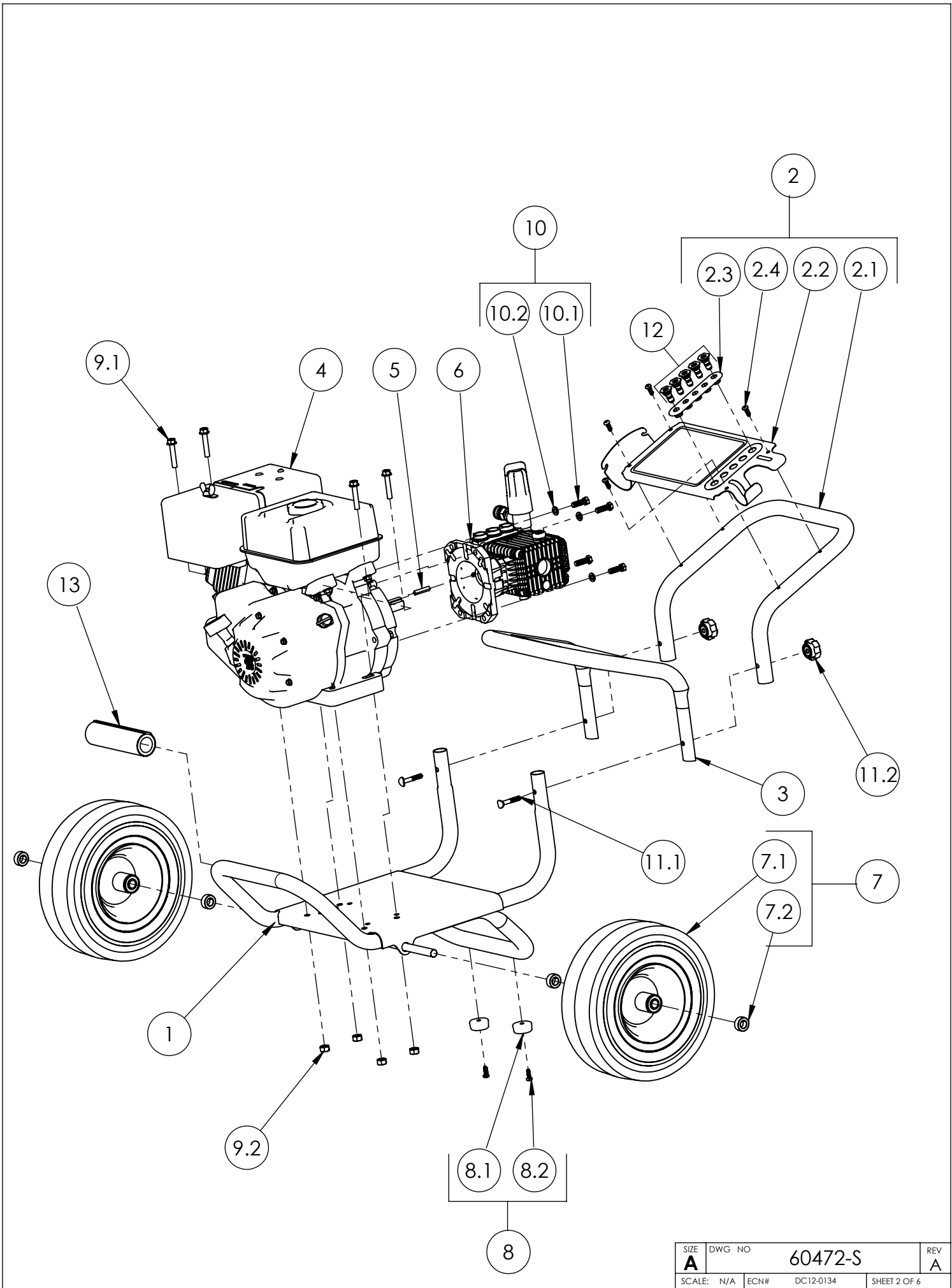
	NAME	DATE
DRAWN	MAV	10/16/2012
CHECKED	MG	11/02/2012
ENG APPR	SW	11/02/2012
MFG APPR		
Q A APPR	JP	11/01/2012
SERVICE APPR	DH	10/30/2012

**PROPRIETARY AND CONFIDENTIAL**  
 THE INFORMATION CONTAINED IN THIS DRAWING IS THE SOLE PROPERTY OF FNA-GROUP. ANY REPRODUCTION IN PART OR AS A WHOLE WITHOUT THE WRITTEN PERMISSION OF FNA-GROUP IS PROHIBITED.

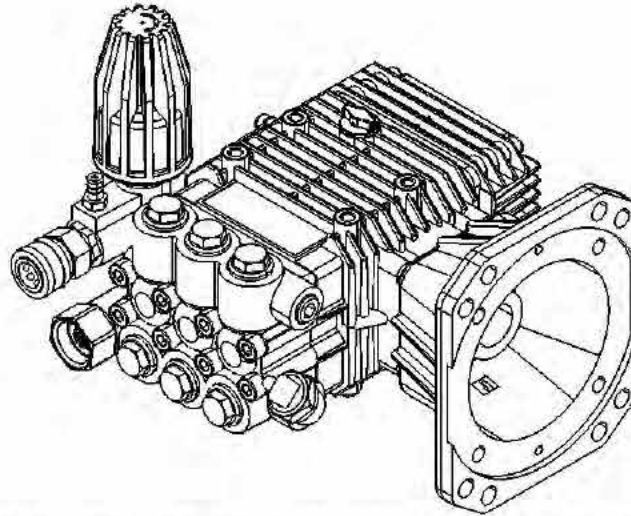
**FNA-GROUP**

1265 INDUSTRIAL STREET DECATUR AR 72722

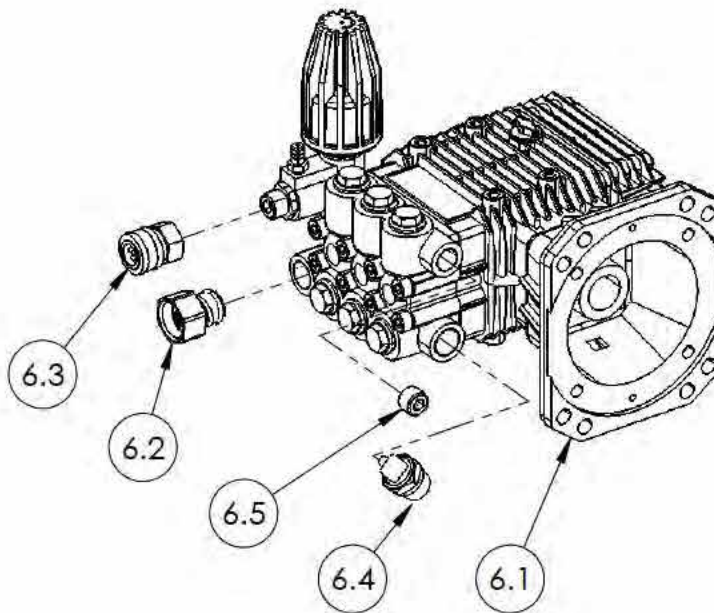
TITLE:		
<b>PS4240</b>		
SIZE	DWG NO	REV
<b>A</b>	60472-S	A
SCALE: N/A	ECN# DC-0134	SHEET 1 OF 6



SIZE	DWG NO	60472-S	REV
<b>A</b>			<b>A</b>
SCALE: N/A	ECN#	DC12-0134	SHEET 2 OF 6



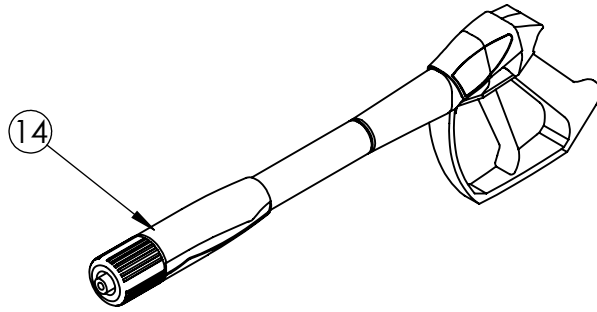
PUMP, ZWD-K4042 SERVICE KIT  
PART NO. 7105462



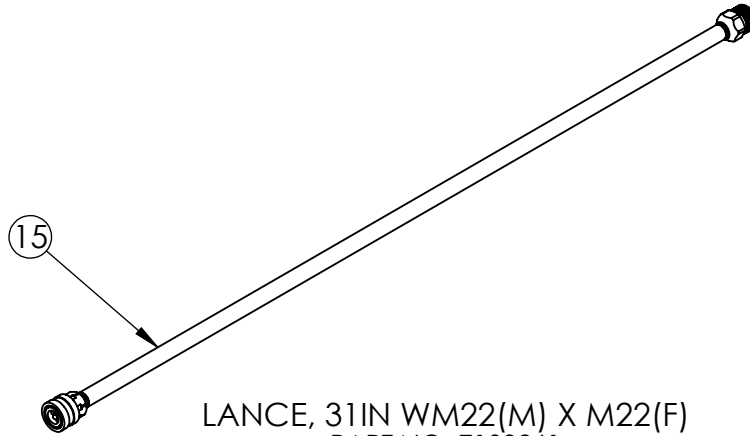
ITEM	PART NO.	DESCRIPTION	QTY.
	6.1	7104820 PUMP, ZWD-K4042	1
	6.2	7100051 INLET ADAPTER, GARDEN-F TO .500 NPT-M	1
	6.3	7100019 COUPLER, OUTLET 3/8" QC(F) X 3/8" NPT(F)	1
	6.4	7101331 THERMAL RELIEF VALVE	1
	6.5	7102470 PLUG, 3/8" NPT(M)	1
*	6.6	SHAFT KEY	1
*	6.7	HOSE AND FILTER KIT	1
*	6.8	BOLT, 3/8-16	4
*	6.9	WASHER, 3/8 SPLIT-LOCK	4

\* NOT SHOWN

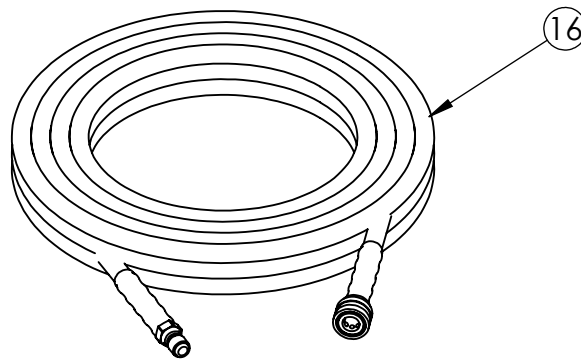
SIZE <b>A</b>	DWG NO <b>60472-S</b>	REV <b>A</b>
SCALE N/A	ECN# DC12-0134	SHEET 3 OF 5



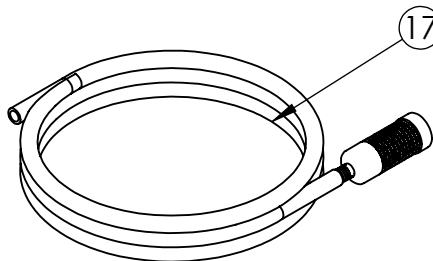
GUN 5075PSI, 3/8 QC(M) X M22(F)  
PART NO. 7104848



LANCE, 31IN WM22(M) X M22(F)  
PART NO. 7103261



HOSE, 3/8" X 50' X 4500PSI 3/8QC  
PART NO. 7103642



SOAP HOSE AND FILTER KIT  
PART NO. 7102207

SIZE <b>A</b>	DWG NO 60472-S	REV <b>A</b>
SCALE: N/A	ECN#	DC12-0134
		SHEET 4 OF 6