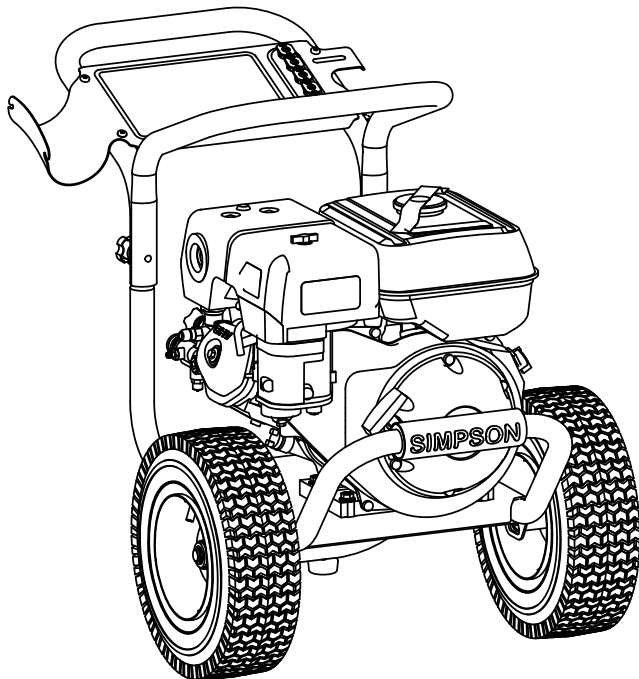


ITEM	PART NO.	DESCRIPTION	QTY.
1	7104998	FRAME, BASE ASSY FLAT BLACK 13.25" SIMPSON	1
2	7108553	HANDLE, SVC ASSY PS3425 W/LABELS	1
† 2.1		HANDLE, REAR BLACK DXPW 18GA. 13.25"	1
2.2	7108668	DASHBOARD-HOLDER SVC ASSY W/LABELS	1
2.3	7103161	NOZZLE HOLDER, 5PC RUBBER	1
† 2.4		SCREW, TORX PANHEAD 1/4"-20 x 3/4"	4
3	7106230	HANDLE, SVC ASSY QUICK START	1
4	7107899	ENGINE, SVC ASSY GX270 W/LABELS	1
5	7105453	KEY, SHAFT 1/4" X 1/4" X 1-1/2"	1
6	7106762	PUMP SVC KIT, 530003 AAA PUMP	1
¶ 6.1	530003	C40 PUMP, 3800PSI @ 3.5GPM HORIZONTAL-TRIPLEX	1
† 6.2		BOLT, 3/8"-16 x 1 1/4"	4
† 6.3		WASHER, 3/8" SPLIT-LOCK	4
6.4	7105453	KEY, SHAFT 1/4" X 1/4" X 1-1/2"	1
7	7105376	KIT, 13" WHEEL SERVICE	2
† 7.1		WHEEL, 13" BLACK	1
† 7.2		WASHER, 5/8" FLAT	1
† 7.3		CLIP, E-TYPE 0.625" x 0.042"	1
8	7103292	KIT, FOOT SVC ASY .625"	2
† 8.1		FOOT, RUBBER 1.5"ODx.625"-5/16 INSERT	1
† 8.2		SCREW, TORX PANHEAD 1/4"-20 x 3/4"	1
9	7103277	HARDWARE KIT, ENGINE MOUNTING	1
† 9.1		BOLT, 3/8"-16 x 2" SERRATED FLANGE	4
† 9.2		NUT, 3/8"-16 WHIZ	4
10	7103279	KIT, PUMP MOUNTING HARDWARE	1
† 10.1		BOLT, 3/8"-16 x 1 1/4"	4
† 10.2		WASHER, 3/8" SPLIT-LOCK	4
11	7103279	HARDWARE KIT, HANDLE MOUNTING	2
† 11.1		BOLT, SADDLE 5/16"-18 x 2"	1
† 11.2		KNOB, HANDLE 5/16-18	1
12	7100634	NOZZLE SET, 5PC 3.5	1
13	7105186	HANDLE GRIP, SILVER/WHITE SIMPSON	1
* 14	7108125	GUN, 4500PSI 3/8OC(M) INLET X M22(F) OEM	1
* 15	7103261	LANCE, 31" 1/4"OC-F x M22(M)	1
* 16	7103642	HOSE, 3/8" x 50' x 4500PSI WIRE BRAID	1
17	7102207	SOAP HOSE AND FILTER KIT	1
* 18	7102045	TOOL, NOZZLE CLEANING, UNIVERSAL	1
* 19	7108570	MANUAL AND ACCESSORY KIT PS3835	1
* 20	7108569	BOX, SVC KIT 60579	1



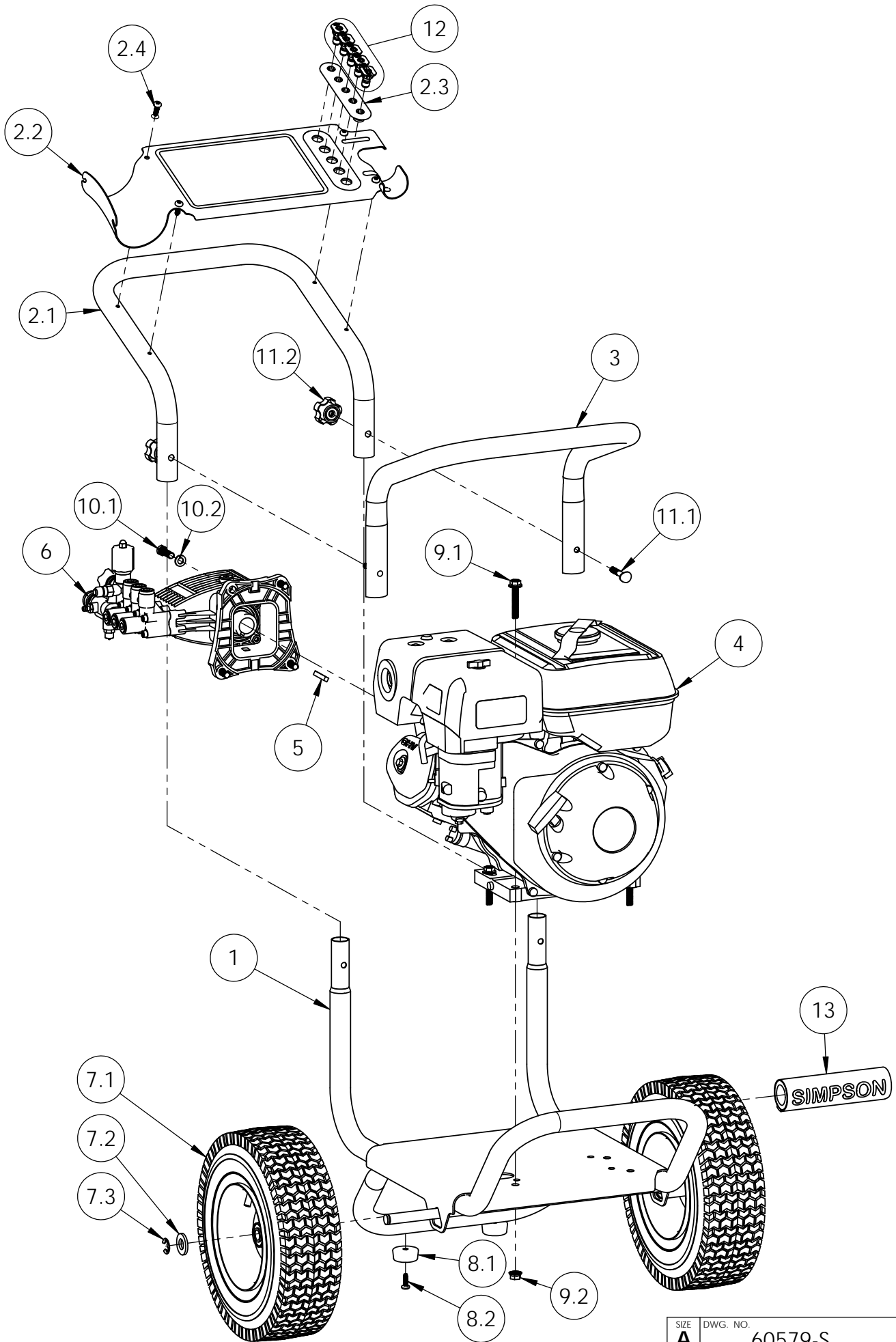
* NOT SHOWN
† NOT SOLD SEPERATELY

PUMP INFORMATION TABLE			
MACHINE SERIAL NO.	PUMP TYPE	PUMP PART NO.	PUMP KIT NO.
	3800PSI @ 3.5GPM	530003	7106762

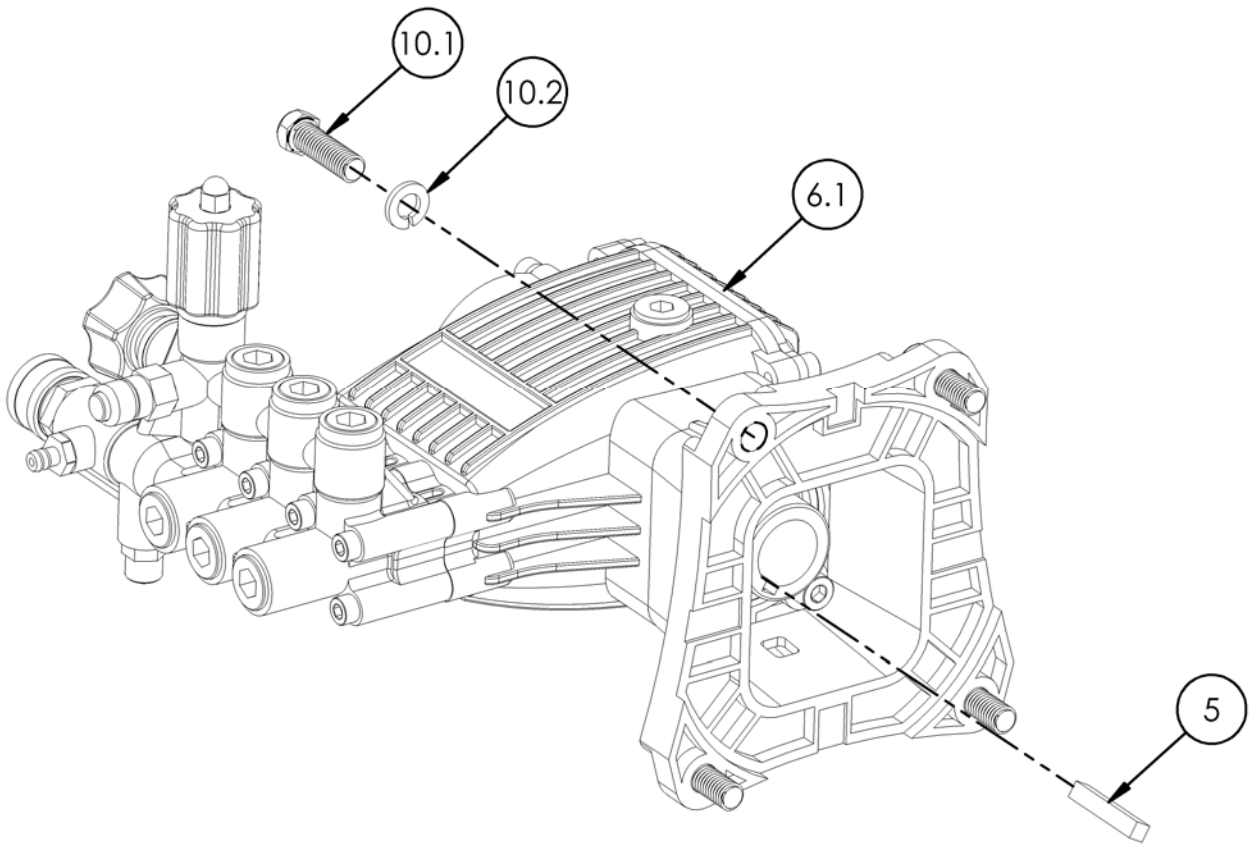
	NAME	DATE
DRAWN	KDB	11/24/2015
CHECKED	OSW	11/24/2015
ENG APPR.	SAC	11/24/2015
MFG APPR.	-	-
O.A. APPR.	KB	11/24/2015
SERVICE APPR.	DH	11/24/2015

PROPRIETARY AND CONFIDENTIAL
THE INFORMATION CONTAINED IN THIS DRAWING IS THE SOLE PROPERTY OF FNA-GROUP. ANY REPRODUCTION IN PART OR AS A WHOLE WITHOUT THE WRITTEN PERMISSION OF FNA-GROUP IS PROHIBITED.

FNA-GROUP		
1265 INDUSTRIAL STREET, DECATUR, AR 72722		
TITLE:		
PS3835 3800PSI@3.5GPM		
SIZE	DWG. NO.	REV.
A	60579-S	A
SCALE:	N/A	ECN# DC15-0175
		SHEET 1 OF 3

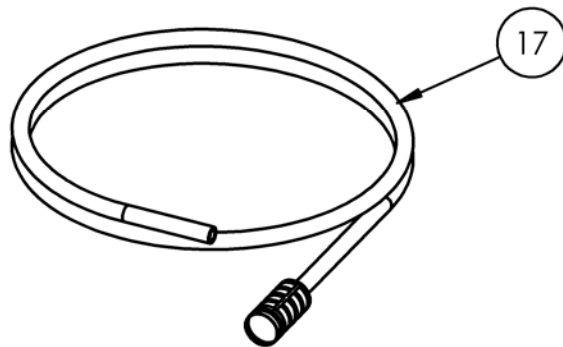


SIZE	DWG. NO.	REV.
A	60579-S	A
SCALE: N/A	ECN# DC15-0175	SHEET 2 OF 3



PUMP SVC KIT, 530003 AAA PUMP
PART NO. 7106762

ITEM	PART NO.	DESCRIPTION	QTY.
6.1	530003	C40 PUMP, 3800PSI @ 3.5GPM HORIZONTAL-TRIPLEX	1
10.1		BOLT, 3/8"-16 x 1 1/4"	4
10.2		WASHER, 3/8" SPLIT-LOCK	4
5	7105453	KEY, SHAFT 1/4" X 1/4" X 1-1/2"	1



KIT, SOAP HOSE & FILTER
PART NO. 7102207

SIZE A	DWG. NO. 60579-S	REV. A
SCALE: N/A	ECN# DC15-0175	SHEET 3 OF 3