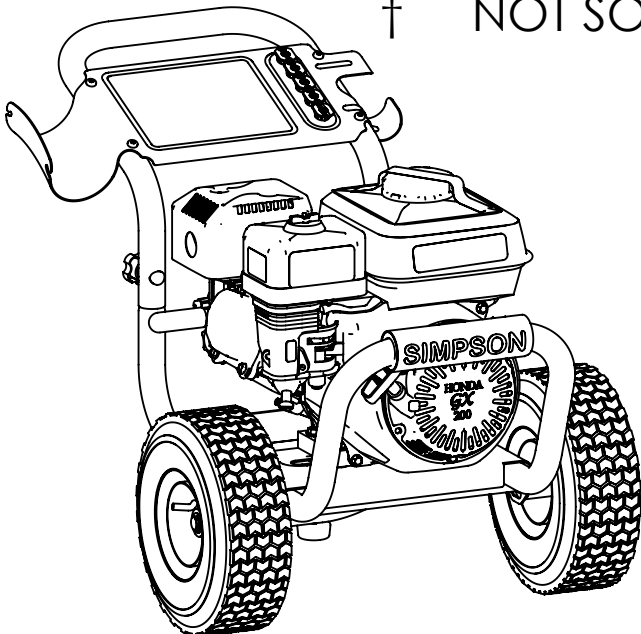


ITEM	PART NO.	DESCRIPTION	QTY
1	7106295	FRAME BASE, SERVICE ASSEMBLY	1
2	7105877	HANDLE, SVC ASSY PS3228 REAR	1
† 2.1		HANDLE, REAR 18GA. 11.75" C-C BLACK	1
† 2.2		PLATE, DASHBOARD SILVER W/LABEL	1
† 2.3		NOZZLE HOLDER, 5PC RUBBER	1
† 2.4		SCREW, TORX PANHEAD 1/4"-20 x 3/4"	4
3	7106603	ENGINE, SVC ASSY HONDA GX200	1
4	7101506	KEY, SHAFT 3/16 X 3/16 X 1-1/2	1
¶ 5	7106572	PUMP, SVC ASSY KIT	1
5.1	530002	PUMP, 3200PSI @ 2.5GPM C30 SERIES	1
† 5.2		CAP, UNLOADER COVER 1 1/2" x 5/8" BLACK	1
† 5.3		BOLT 5/16"-24 x 1" HHCS GR5	4
† 5.4		WASHER, SPLIT-LOCK 5/16" RUST RESISTANT	4
6	7105013	WHEEL, SERVICE KIT	1
† 6.1		POWER WASHER WHEEL, 4" x 10" BLK W/ 5/8" BRG	2
† 6.2		WASHER, 5/8" FLAT	2
† 6.3		CLIP, E-TYPE 0.625" x 0.042"	2
7	7103292	KIT, 5/8" TALL FOOT	2
† 7.1		FOOT, RUBBER 1.5"ODx.625"-5/16 INSERT	1
† 7.2		SCREW, TORX PANHEAD 1/4"-20 x 3/4"	1
8	7103750	MOUNTING KIT, ENGINE	1
† 8.1		BOLT, FLANGE 5/16"-18 x 1 3/4" HHFB	4
† 8.2		NUT, WHIZ 5/16"-18	4
9	7105474	HARDWARE KIT, PUMP MOUNTING	1
† 9.1		BOLT 5/16"-24 x 1" HHCS GR5	4
† 9.2		WASHER, SPLIT-LOCK 5/16" RUST RESISTANT	4
10	7104570	HARDWARE KIT, HANDLE MOUNTING	2
† 10.1		BOLT, SADDLE 5/16"-18 x 2"	1
† 10.2		KNOB, HANDLE 5/16-18	1
11	7103743	NOZZLE SET, 3.0 5PC 1/4" QC-M	1
12	7105186	HANDLE GRIP, SILVER	1
13	7106275	TRIGGER SPRAY GUN 4500PSI @ 6.6GPM M22(M) x M22(F)	1
14	7103550	LANCE, 16" W/ 1/4" QC-F x M22(M)	1
15	7103726	HOSE, 9/32" x 25' x 3400PSI M22(M) x M22(F) PLATINUM	1
16	7102207	SOAP HOSE AND FILTER KIT	1
* 17	7102045	TOOL, NOZZLE CLEANING, UNIVERSAL	1
* 18	7104986	MANUAL, PS3228 MODEL SPECIFIC OPERATOR'S	1
* 19	7104985	BOX, PS3228 MODEL SPECIFIC SHIPPING	1

\* NOT SHOWN

† NOT SOLD SEPERATELY



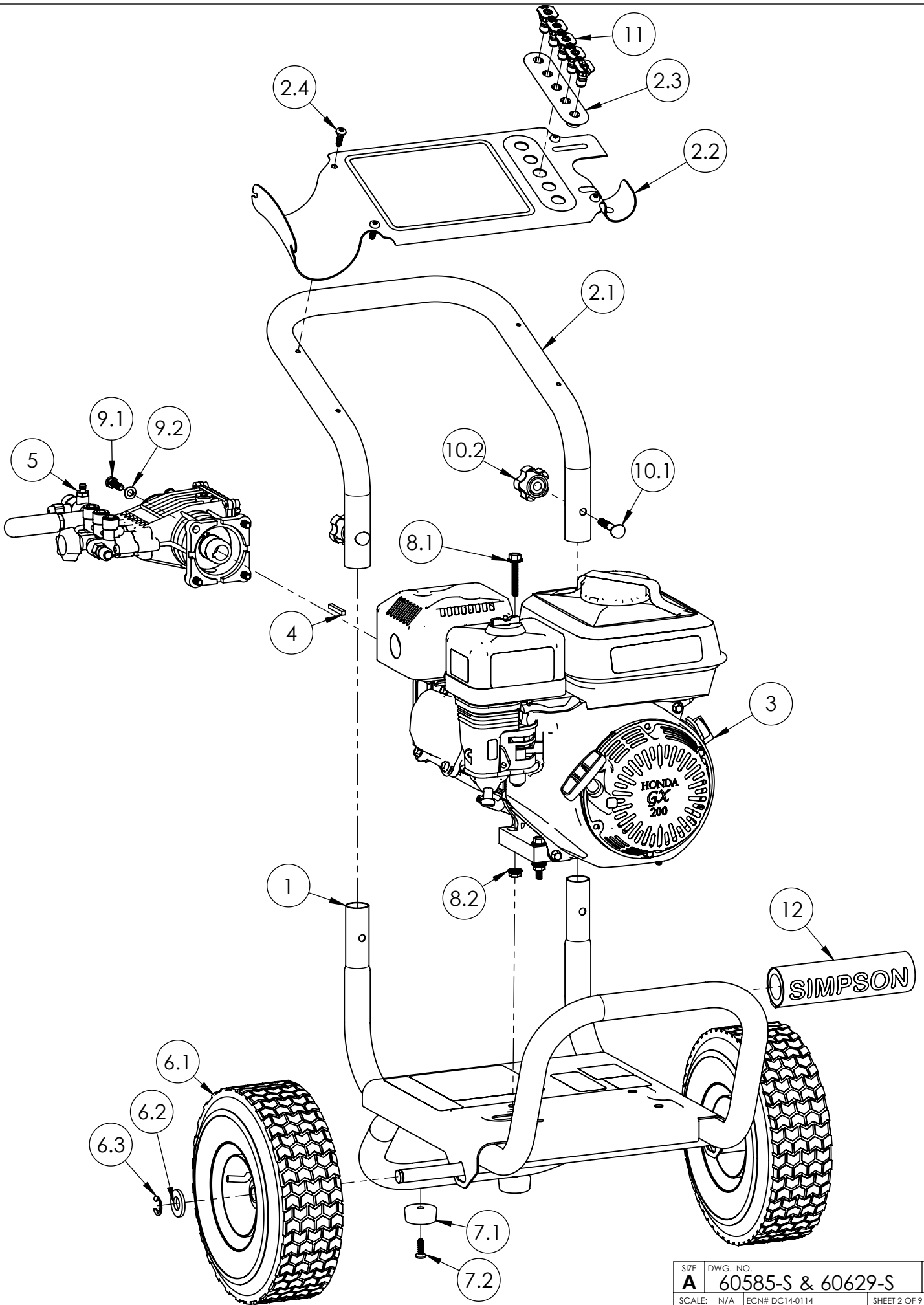
PUMP INFORMATION TABLE			
MACHINE SERIAL NO.	PUMP TYPE	PUMP PART NO.	PUMP KIT NO.
143341 TO 390473	9.6GA12	7105902	7104984
394597 TO PRESENT	9.6GA12	530002	7106572

**ONLY THE LATEST VERSION OF THE PUMP IS AVAILABLE FOR REPLACEMENT**

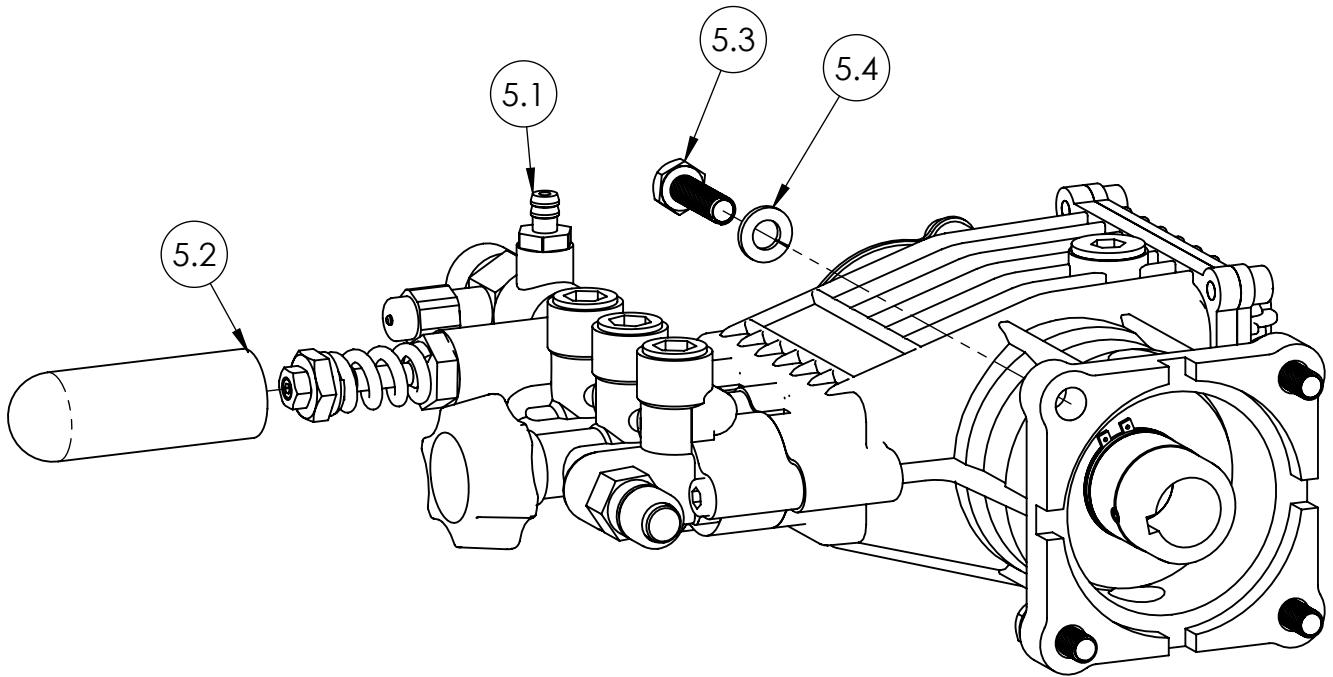
	NAME	DATE
DRAWN	TV	5/12/2014
CHECKED	M.G.	5/12/2014
ENG APPR.	S.A.C.	5/13/2014
MFG APPR.	J.C.P.	4/16/2013
Q.A. APPR.	J.C.	5/12/2014
SERVICE APPR.	D.H.	4/16/2013

**PROPRIETARY AND CONFIDENTIAL**  
 THE INFORMATION CONTAINED IN THIS DRAWING IS THE SOLE PROPERTY OF FNA-GROUP. ANY REPRODUCTION IN PART OR AS A WHOLE WITHOUT THE WRITTEN PERMISSION OF FNA-GROUP IS PROHIBITED.

FNA-GROUP		
1265 INDUSTRIAL STREET, DECATUR, AR 72722		
TITLE:		
PS3228 & PS3228-S 3200PSI @ 2.8GPM SIMPSON		
SIZE	DWG. NO.	REV.
A	60585-S & 60629-S	C
SCALE:	N/A	ECN# DC14-0114
		SHEET 1 OF 9



SIZE	DWG. NO.	REV.
<b>A</b>	<b>60585-S &amp; 60629-S</b>	<b>C</b>
SCALE: N/A	ECN# DC14-0114	SHEET 2 OF 9

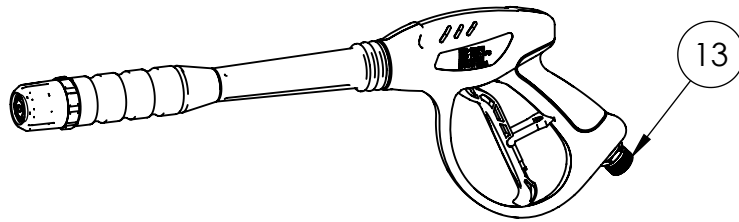


PUMP, SVC ASSY 3200PSI @ 2.5GPM  
PART NO. 7106572

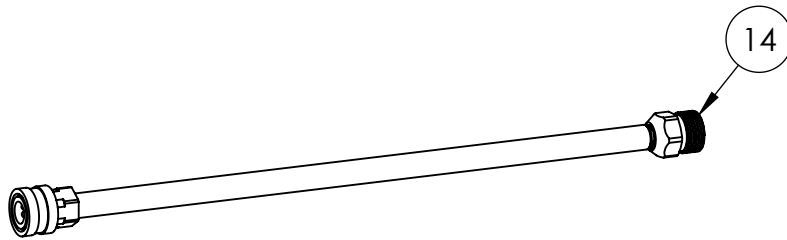
ITEM	PART NO.	DESCRIPTION	QTY
5.1	530002	PUMP,3200PSI @ 2.5GPM C30 SERIES	1
5.2		CAP, UNLOADER COVER 1 1/2" x 5/8" BLACK	1
5.3		BOLT 5/16"-24 x 1" HHCS GR5	4
5.4		WASHER, SPLIT-LOCK 5/16" RUST RESISTANT	4
* 4	7101506	KEY, 3/16" x 3/16" x 1 1/2" SHAFT	1

\* NOT SHOWN

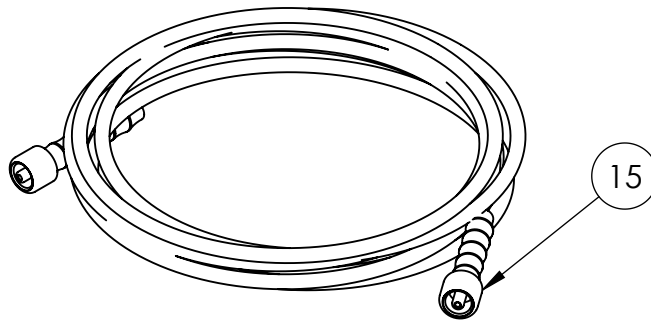
SIZE <b>A</b>	DWG. NO. 60585-S & 60629-S	REV. <b>C</b>
SCALE: N/A	ECN# DC14-0114	SHEET 3 OF 9



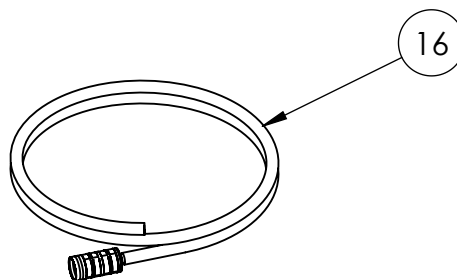
TRIGGER SPRAY GUN 3600PSI @ 6.6GPM M22(M) x M22(F)  
PART NO. 7106275



LANCE, 16" W/ 1/4" QC-F x M22(M)  
PART NO. 7103550



HOSE, 9/32" x 25' x 3400PSI M22(M) x M22(F) PLATINUM  
PART NO. 7103726



KIT, SOAP HOSE & FILTER  
PART NO. 7102207

SIZE	DWG. NO.	REV.
<b>A</b>	60585-S & 60629-S	<b>C</b>
SCALE: N/A	ECN# DC14-0114	SHEET 4 OF 9