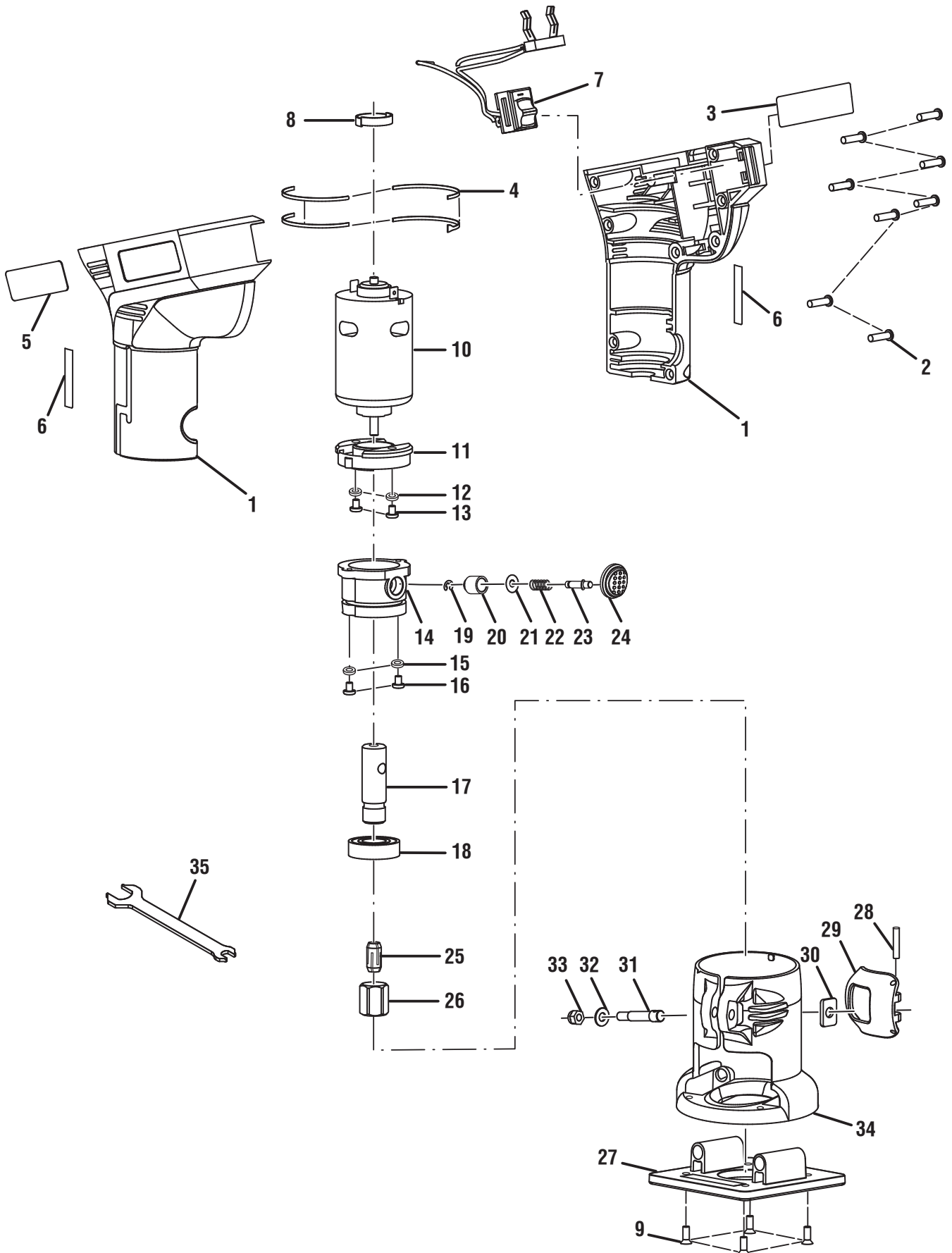


RYOBI
18 VOLT TRIMMER
MODEL NO. P600G
REPAIR SHEET

RYOBI 18 VOLT TRIMMER – MODEL NUMBER P600G

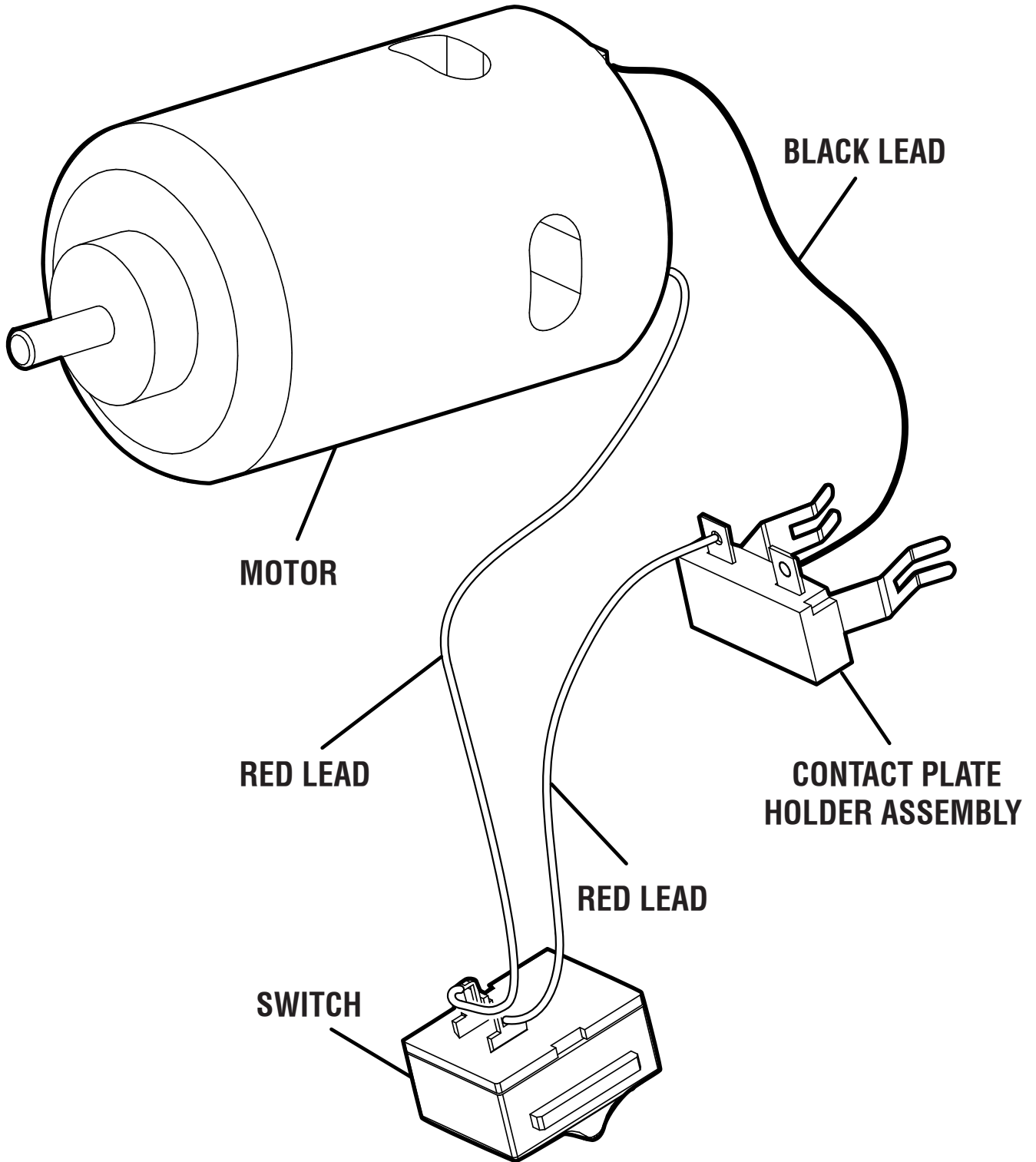


RYOBI 18 VOLT TRIMMER – MODEL NUMBER P600G

The model number will be found on a label attached to the motor housing. Always mention the model number in all correspondence regarding your **TRIMMER** or when ordering repair parts.

PARTS LIST

KEY NO.	PART NUMBER	DESCRIPTION	QTY
1	200202569	Housing Assembly (Inc. Key Nos. 3-6).....	1
2	6620805	Screw (M4 x 16 mm, Pan Hd.)	8
3	941121479	Data Label	1
4	5605513	Foam Rubber	4
5	941002220	Logo Label	1
6	941001172	Scale Label.....	2
7	270017056	Switch Assembly	1
8	5991501	Motor Back Ring	1
9	660279004	Screw (M4 x 12 mm, Flat Hd.).....	4
10	7439401	Motor.....	1
11	640882001	Motor Base.....	1
12	6796001	Spring Washer.....	2
13	6621902	Screw (M5 x 12 mm, Pan Hd.)	2
14	640881001	Bearing Holder Top Cover.....	1
15	6702801	Spring Washer.....	2
16	6621101	Screw (M3 x 8 mm, Pan Hd.)	2
17	620365001	Output Shaft.....	1
18	671608002	Ball Bearing	1
19	6725101	Retaining Ring.....	1
20	670230003	Bushing	1
21	680661001	Curved Washer.....	1
22	6723101	Compression Spring	1
23	670229002	Shaft Lock Pin	1
24	512947003	Lock Pin Cap.....	1
25	6904501	Collet (1/4 in.)	1
26	690043002	Collet Nut	1
27	512047003	Square Base.....	1
28	690401002	Spring Pin.....	1
29	640708004	Clamp Lever	1
30	671352001	Square Washer.....	1
31	620319001	Adjust Screw Shaft.....	1
32	670060001	Washer	1
33	670974003	Lock Nut.....	1
34	342073002	Base Support	1
35	690604002	Wrench	1
	Not Shown:		
	991000634	Operator's Manual (961152500)	
	9-17-15		
	(Rev:01)		



WIRING DIAGRAM