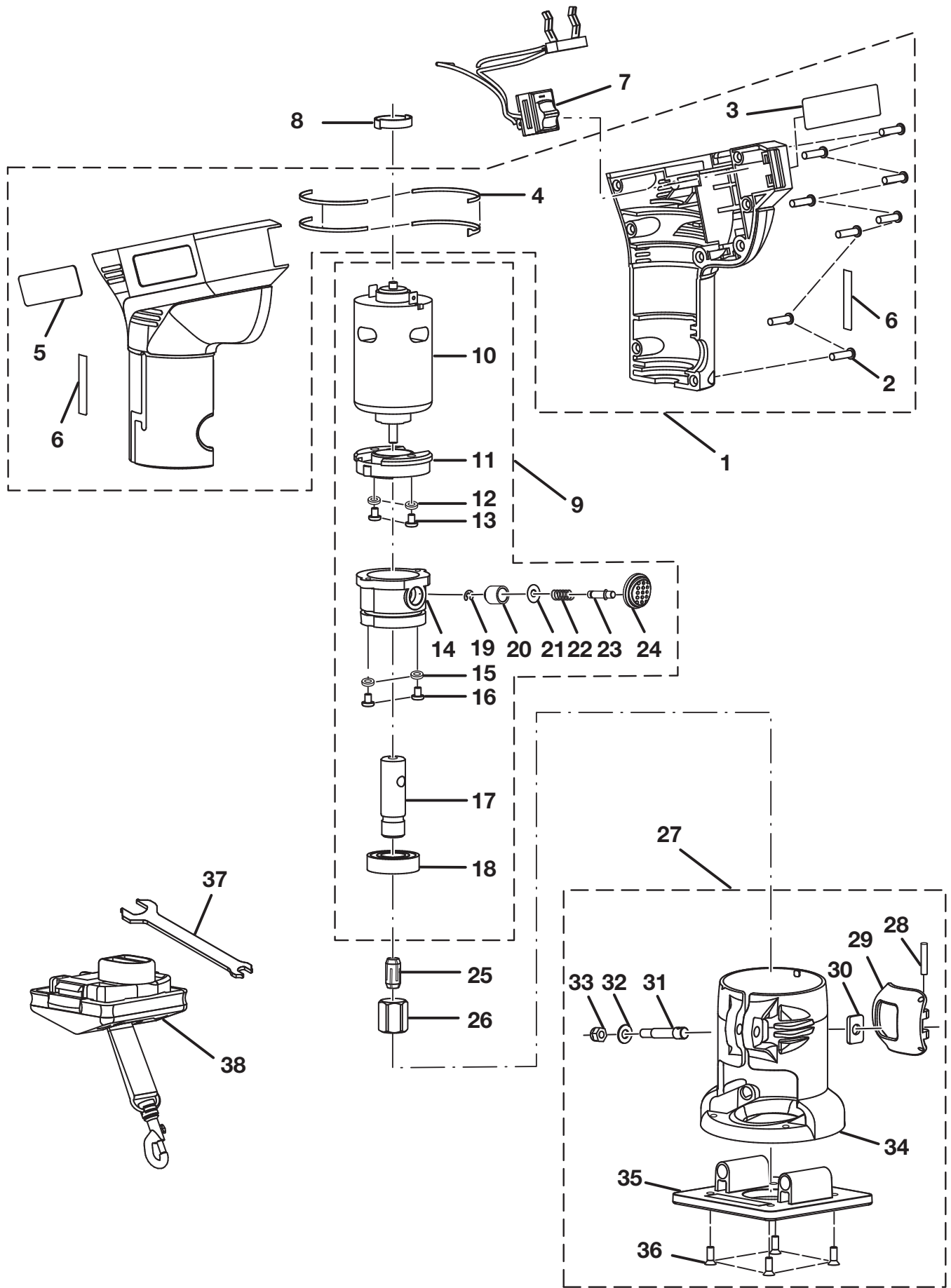


**RYOBI
18 VOLT TRIMMER
MODEL NO. P600
REPAIR SHEET**

RYOBI 18 VOLT TRIMMER - MODEL NUMBER P600



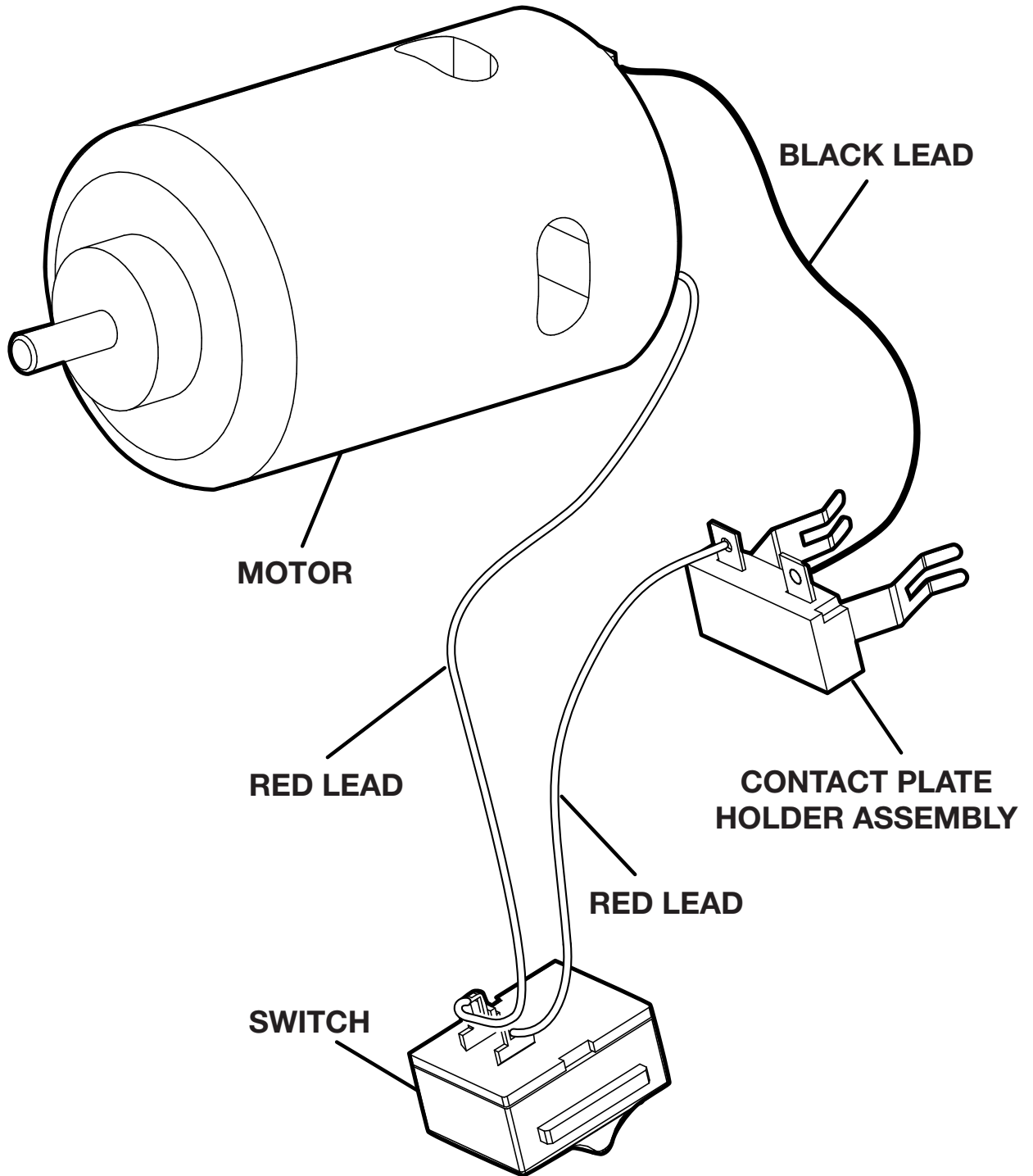
RYOBI 18 VOLT TRIMMER – MODEL NUMBER P600

The model number will be found on a plate attached to the motor housing. Always mention the model number in all correspondence regarding your **TRIMMER** or when ordering repair parts.

PARTS LIST

KEY NO.	PART NUMBER	DESCRIPTION	QTY
1	200202321	HOUSING ASSEMBLY W / LABELS (INC. KEY NOS. 2-6).....	1
2	6620805	* SCREW (M4 X 16 mm PAN HD.).....	8
3	940078058	DATA LABEL.....	1
4	5605513	FOAM RUBBER.....	4
5	940114108	LOGO LABEL.....	1
6	940299506	SCALE LABEL.....	2
7	270017056	SWITCH ASSEMBLY.....	1
8	5991501	MOTOR BACK RING.....	1
9	200315001	MOTOR & OUTPUT SHAFT & LOCK PIN ASSEMBLY (INC. KEY NOS.10-24).....	1
10	7439401	MOTOR.....	1
11	640882001	MOTOR BASE.....	1
12	6796001	SPRING WASHER.....	2
13	6621902	* SCREW (M5 X 12 mm PAN HD.).....	2
14	640881001	BEARING HOLDER TOP COVER.....	1
15	6702801	SPRING WASHER.....	2
16	6621101	* SCREW (M3 X 8 mm PAN HD.).....	2
17	620365001	OUTPUT SHAFT.....	1
18	671608001	BALL BEARING.....	1
19	6725101	RETAINING RING.....	1
20	670230003	BUSHING.....	1
21	680661001	CURVED WASHER.....	1
22	6723101	SPRING.....	1
23	670229002	SHAFT LOCK PIN.....	1
24	512947001	LOCK PIN CAP.....	1
25	6904501	COLLET (1/4 in.).....	1
26	690043002	COLLET NUT.....	1
27	200234005	BASE ASSEMBLY (INC. KEY NOS. 28-36).....	1
28	690401002	SPRING PIN.....	1
29	640708003	CLAMP LEVER.....	1
30	671352001	SQUARE WASHER.....	1
31	620319001	ADJUST SCREW SHAFT.....	1
32	670060001	WASHER.....	1
33	6797401	NYLON INSERT NUT.....	1
34	342073001	BASE SUPPORT.....	1
35	512047002	SQUARE BASE.....	1
36	660279004	* SCREW (M4 X 12 mm FLAT HD.).....	4
37	690604002	WRENCH.....	1
38	200292003	PLUG IN LANYARD.....	1
39	200334001	WOODWORKING SUBBASE (NOT SHOWN).....	1
	983000600	OPERATOR'S MANUAL (960223392)	
	983000600R	REPAIR SHEET (REV:03)	
	03-09-06		

* Standard Hardware Item – May Be Purchased Locally



WIRING DIAGRAM