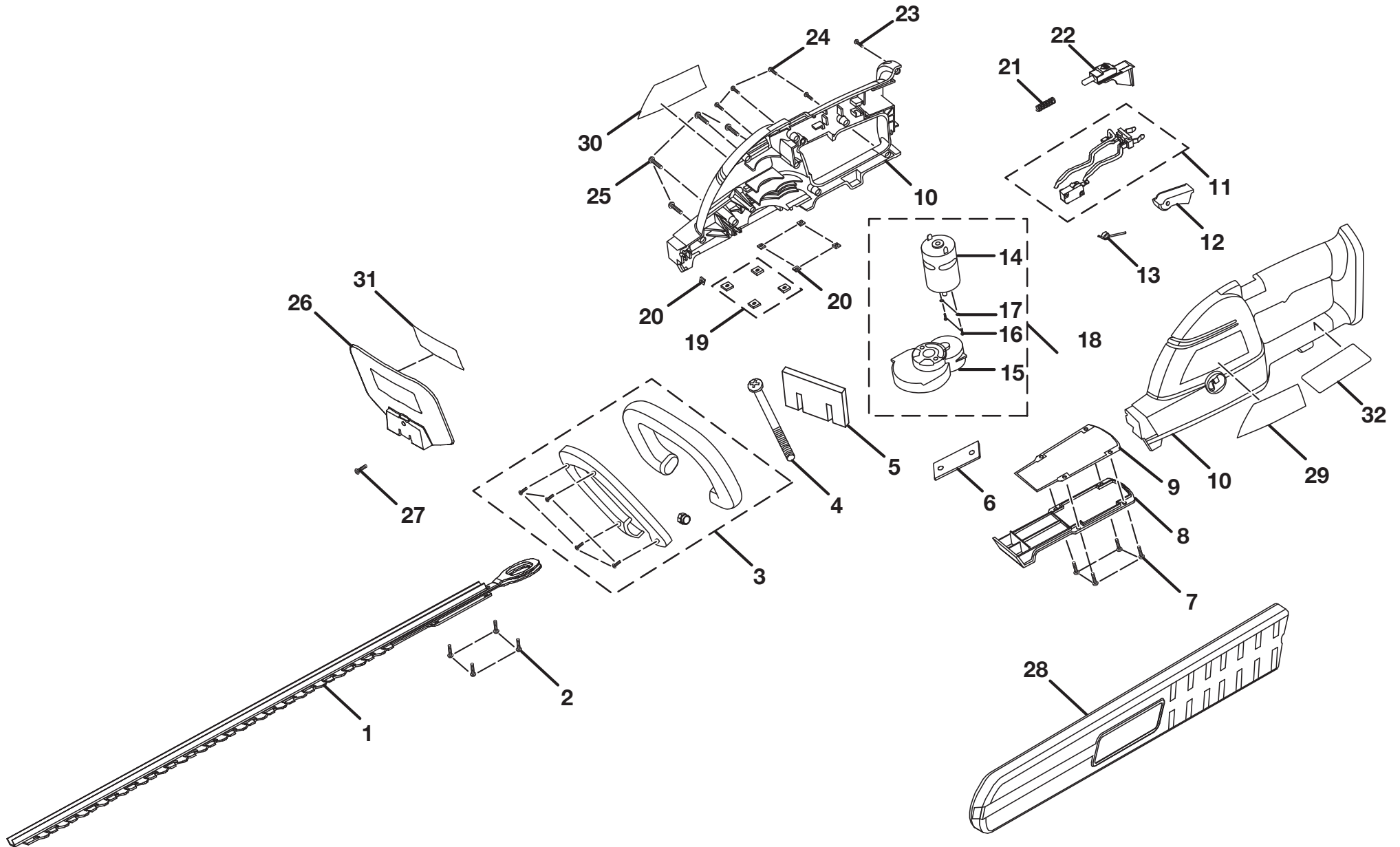


**RYOBI**  
**18 VOLT HEDGE TRIMMER**  
**MODEL NO. P2600/P2600A**  
**REPAIR SHEET**

RYOBI 18 VOLT HEDGE TRIMMER – MODEL NUMBER P2600/P2600A



## RYOBI 18 VOLT HEDGE TRIMMER – MODEL NUMBER P2600/P2600A

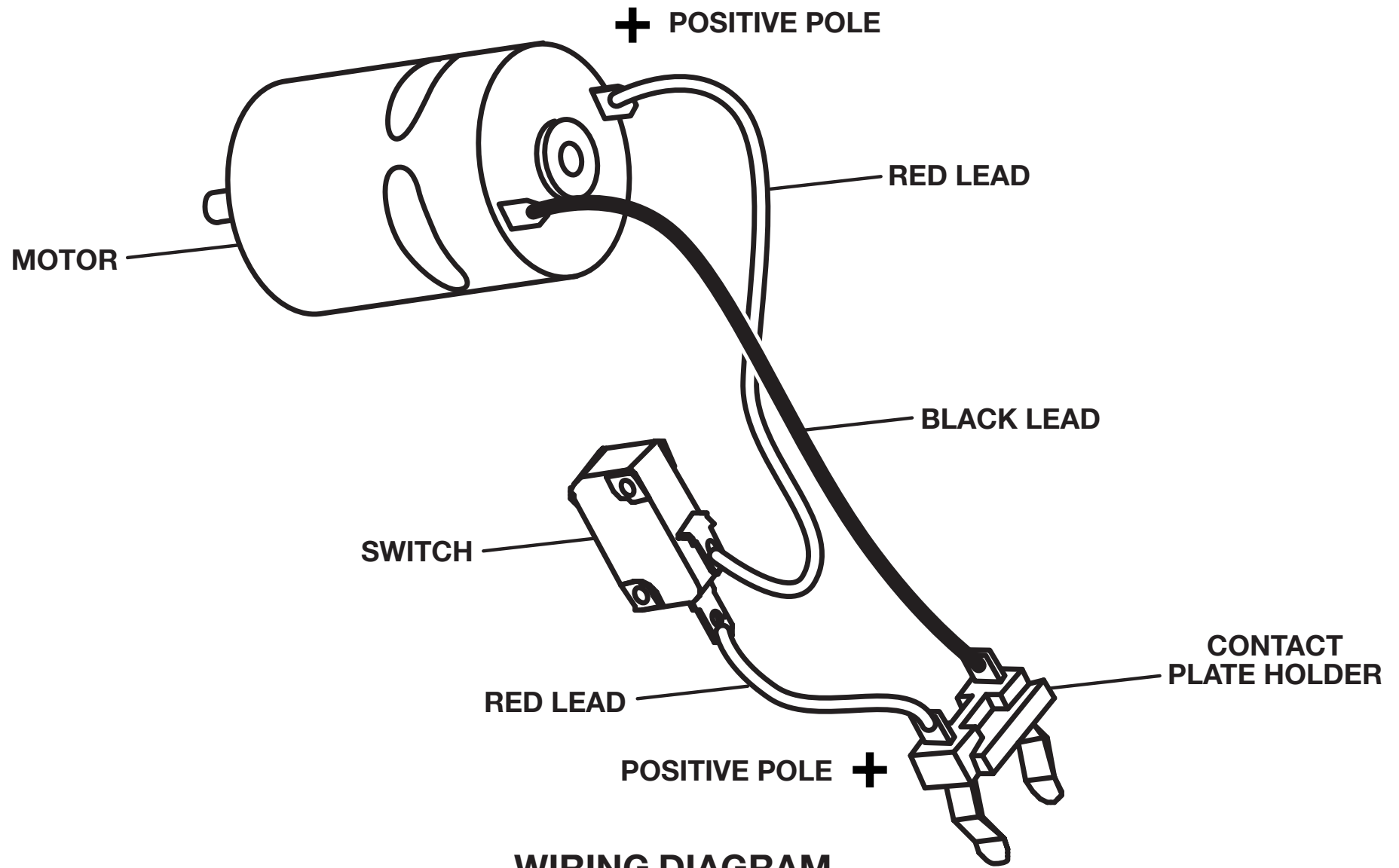
The model number will be found on a plate attached to the motor housing. Always mention the model number in all correspondence regarding your **HEDGE TRIMMER** or when ordering repair parts.

### PARTS LIST

| KEY NO. | PART NUMBER | DESCRIPTION   | QTY | KEY NO.           | PART NUMBER          | DESCRIPTION  | QTY |
|---------|-------------|---|-----|-------------------|----------------------|--|-----|
| 1       | 3013214     | CUTTER BLADE ASSEMBLY.....                                | 1   | 21                | 6791801              | COMPRESSION SPRING .....   | 1   |
| 2       | 6613702     | * SCREW (M4 X 16 mm).....                                 | 4   | 22                | 5205604              | TRIGGER LOCK.....  | 1   |
| 3       | 200073006   | HANDLE ASSEMBLY .....                                     | 1   | 23                | 6620801              | * SCREW (M4 X 12 mm).....  | 1   |
| 4       | 660131001   | * SCREW (M4 X 100 mm).....                                | 1   | 24                | 6620805              | * SCREW (M4 X 16 mm PAN HD.).....  | 4   |
| 5       | 560190011   | SPONGE SEAL .....   | 1   | 25                | 6620803              | * SCREW (M4 X 22 mm PAN HD,).....  | 4   |
| 6       | 6940501     | BAR PLATE .....   | 1   | 26                | 590141003            | BLADE GUARD .....  | 1   |
| 7       | 6613701     | * SCREW (M4 X 12 mm).....                                 | 4   | 27                | 6603301              | * SCREW (M4 X 12 mm).....  | 1   |
| 8       | 520058008   | BLADE COVER .....   | 1   | 28                | 520059002            | BLADE COVER .....  | 1   |
| 9       | 590188001   | RUBBER SEAL .....   | 1   | 29                | 940263159            | LOGO LABEL.....  | 1   |
| 10      | 200208008   | HOUSING ASSEMBLY .....                                    | 1   | 30                | 940303260            | DATA LABEL (P2600) .....   | 1   |
| 11      | 270011079   | SWITCH ASSEMBLY .....                                     | 1   |                   | 940304478            | DATA LABEL (P2600A).....   | 1   |
| 12      | 5205506     | TRIGGER .....   | 1   | 31                | 940077084            | BLADE GUARD LABEL.....   | 1   |
| 13      | 6794201     | TRIGGER SPRING.....                                       | 1   | 32                | 960059101            | HANG TAG.....  | 1   |
| 14      | 2303335     | MOTOR ASSEMBLY .....                                      | 1   | <b>NOT SHOWN:</b> |                      |  |     |
| 15      | 301705001   | GEAR TRAIN ASSEMBLY .....                                 | 1   |                   | P100                 | Ni-Cd Battery Pack (130224028)   |     |
| 16      | 660137001   | * SCREW (M4 X 12 mm).....                                 | 2   |                   | P104                 | Li-ion Battery Pack (130429001, 130429002)   |     |
| 17      | 670704001   | RETAINING RING (EXTERNAL).....                            | 2   |                   | P110                 | Ni-Cd Charger (1423701, 140237021, 140237023)  |     |
| 18      | 210010041   | MOTOR & GEAR TRAIN ASSEMBLY<br>(INC. KEY NOS. 14-17)..... | 1   |                   | P113                 | Ni-Cd/Li-ion Charger (140501001,140501005)   |     |
| 19      | 660561001   | * SQUARE NUT (M4 X 15 X 10.9).....                        | 4   |                   | 983000846            | P2600 ONLY OPERATOR'S MANUAL (960930102)<br>P2600/P2600A OPERATOR'S MANUAL (960009394) |     |
| 20      | 660126001   | * SQUARE NUT (M4 X 2.2 mm).....                           | 5   |                   | 10-01-09<br>(REV:03) |  |     |

**WARNING: Improper repair of a double insulated tool can result in damage to the double insulation system possibly causing electrical shock or electrocution. Any repairs requiring disassembly of your tool requires safety testing and should only be performed by a Ryobi Authorized Service Center. For the service center nearest you call 1-800-860-4050.**

\* STANDARD HARDWARE ITEM – MAY BE PURCHASED LOCALLY



WIRING DIAGRAM