

**RYOBI**  
**18 VOLT HYBRID STRING TRIMMER**  
**MODEL NO. P2200**  
**REPAIR SHEET**

**TECHTRONIC INDUSTRIES NORTH AMERICA, INC.**

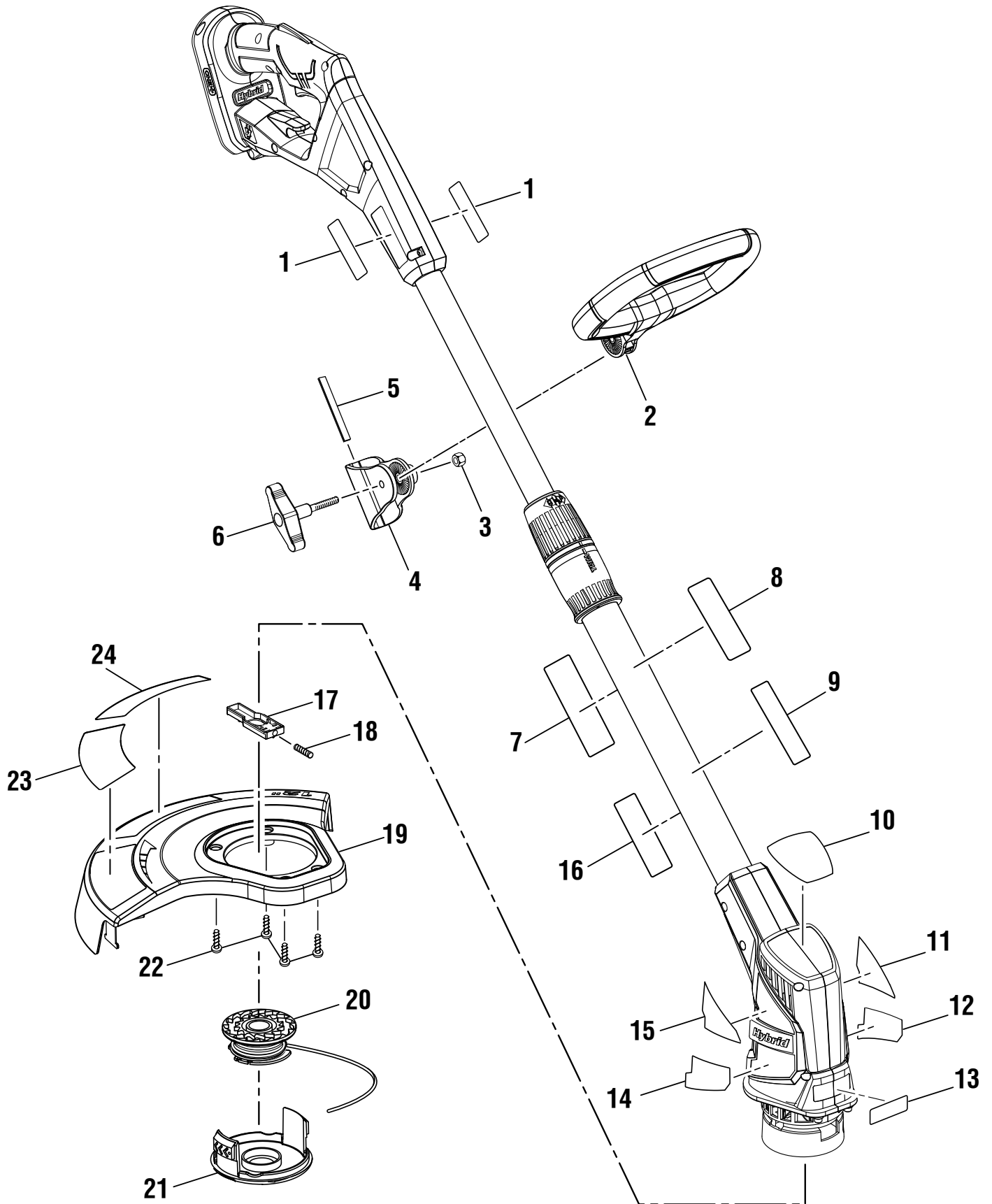
1428 Pearman Dairy Road, Anderson, SC 29625

Phone 1-800-860-4050

[www.ryobitools.com](http://www.ryobitools.com)

A subsidiary of Techtronic Industries Co., Ltd. • OTC: TTNDY

RYOBI P2200



## RYOBI P2200 18 VOLT HYBRID STRING TRIMMER

The model number will be found on a label attached to the motor housing. Always mention the model number in all correspondence regarding your **STRING TRIMMER** or when ordering replacement parts.

### PARTS LIST

KEY NO.	PART NUMBER	DESCRIPTION	QTY
1	941797001	Logo Label (Side) .....	2
2	523409001	Lower Auxiliary Handle.....	1
3	680196006	Hex Nut (M6) .....	1
4	310921001	Clamp Assembly (Inc. Key No. 5).....	1
5	570112001	Rubber Plate.....	1
6	522983001	Knob Assembly .....	1
7	941653008	Warning Label (Fr./Sp.) .....	1
8	941589004	Warning Icon Label (English) .....	1
9	941806001	Lithium Hybrid Label .....	1
10	941759004	Ryobi One+ Label.....	1
11	941807002	Electric Label (Left).....	1
12	940007024	Battery Label (Left) .....	1
13	941797003	Logo Label (Front) .....	1
14	940007023	Battery Label (Right).....	1
15	941807001	Electric Label (Right) .....	1
16	941106024	Data Label .....	1
17	310920001	Slider Assembly.....	1
18	679034001	Compression Spring (Slider).....	1
19	310922003	Grass Deflector Assembly.....	1
20	310917001	Spool w/Line (AC14RSL).....	1
21	522994001	Spool Cap (AC14HC) .....	1
22	660897003	Screw w/Lock Washer (M4 x 8 mm, Hex Hd.) .....	4
23	941606001	Adjustable Cutting Width Label.....	1
24	941528003	No Bump Label .....	1

**NOT SHOWN**

990000281      Operator's Manual

11-14-14  
(Rev:02)