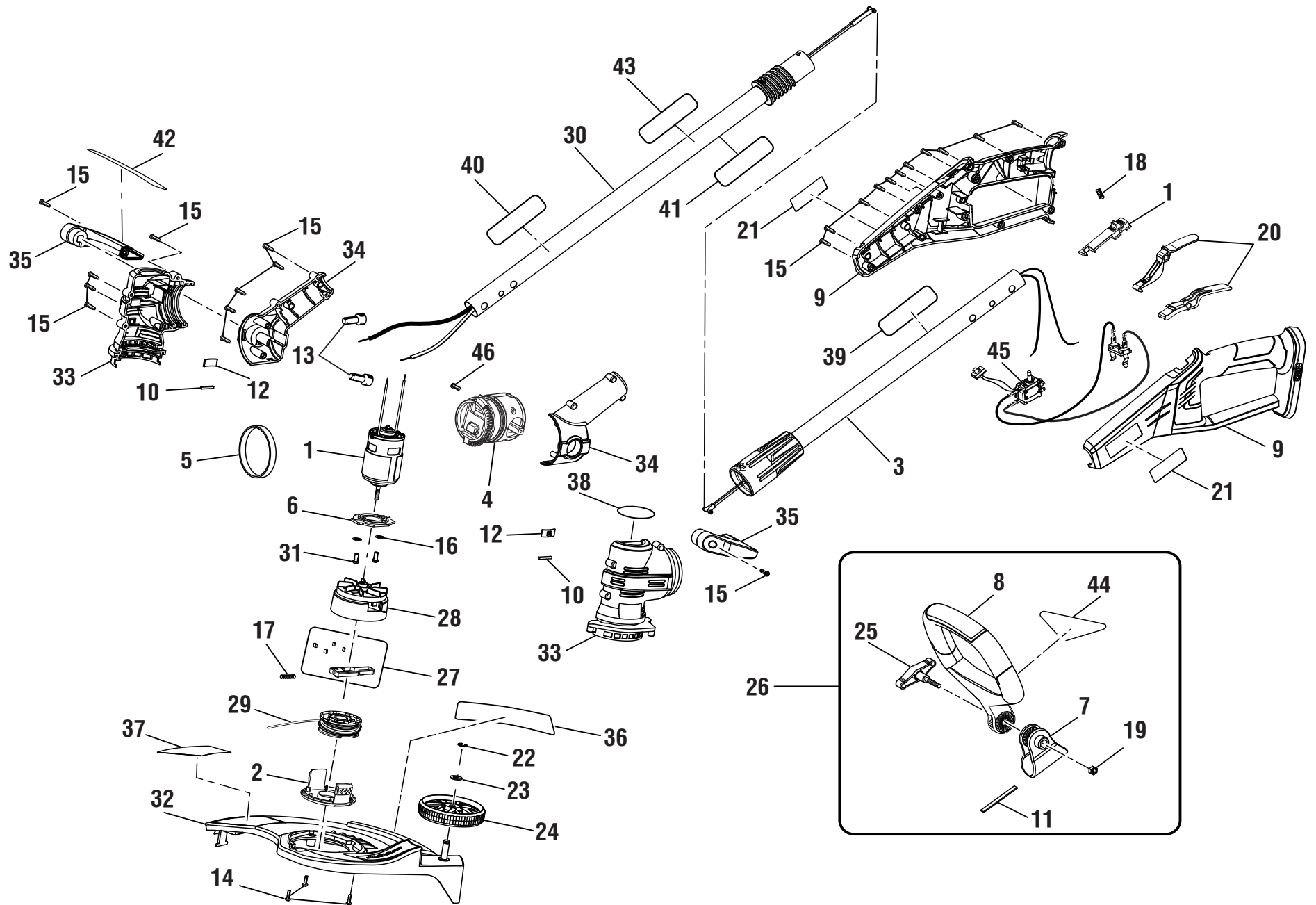


**RYOBI STRING TRIMMER/EDGER
MODEL P2008
MFG NO. 107268001
REPAIR SHEET**

RYOBI P2008 STRING TRIMMER/EDGER



RYOBI P2008 STRING TRIMMER/EDGER

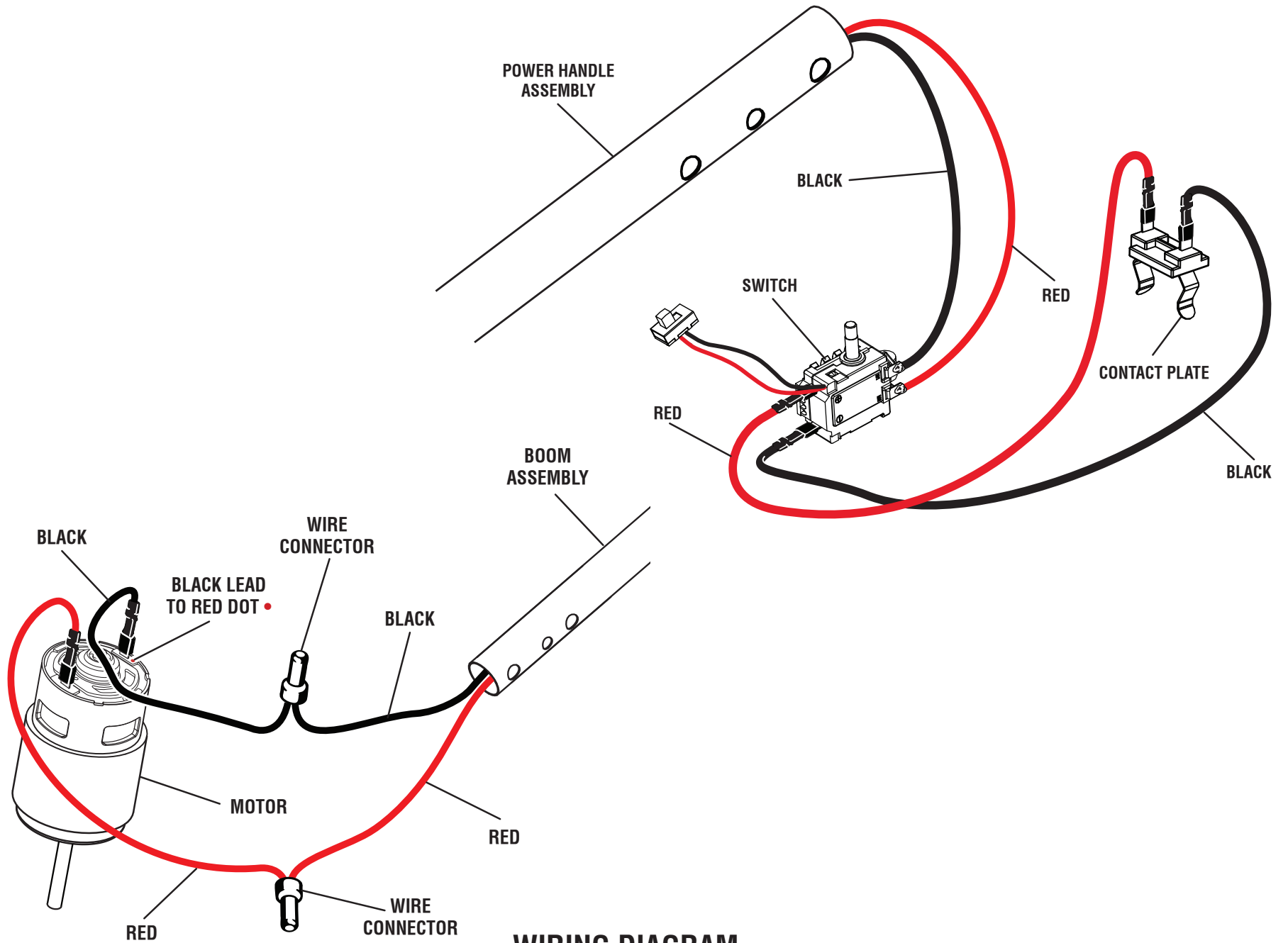
The model number will be found on a label attached to the upper boom. Always mention the model number in all correspondence regarding your **STRING TRIMMER/EDGER** or when ordering replacement parts.

PARTS LIST

KEY NO.	PART NUMBER	DESCRIPTION	QTY	KEY NO.	PART NUMBER	DESCRIPTION	QTY
1	742199001	Motor	1	26	351182001	Auxiliary Handle Assembly (Inc. Key Nos. 7-8, 11, 19, 25 and 44)	1
2	***	Spool Cap..... CAN USE AC14RL3	1	27	310920001	Slider Assembly	1
3	311746001	Upper Tube and Wire Assembly (Inc. Key No. 39)	1	28	524851002	Spool Base w/Fan	1
4	351109001	Pivot Assembly	1	29	***	Spool w/Line Assembly CAN USE AC14RL3	1
5	522923001	Plastic Ring	1	30	311747001	Lower Tube Assembly (Inc. Key Nos. 40-41 and 43)...	1
6	522926001	Motor Mounting Plate	1	31	660502002	Screw w/Washer (M5 x 11 mm)	2
7	522984001	Handle Bracket	1	32	351122001	Guard Assembly (Inc. Key Nos. 36-37)	1
8	351119001	Front Handle (Inc. Key No. 44)	1	33	351112001	Motor Housing Assembly (Inc. Key No. 38)	1
9	351113001	Handle Housing Assembly (Inc. Key No. 21)	1	34	351110001	Lower Housing Assembly	1
10	562079002	Rubber Plate (Motor Plate)	2	35	351106001	Adjustment Pedal Assembly	1
11	570112001	Rubber Plate (Handle Bracket)	1	36	940851102	Auto Feed No Bump Label (Guard)	1
12	570815001	Rubber Plate (Motor)	2	37	940851103	Adjustable Cutting Width Label	1
13	790009004	Wire Connector	2	38	940705309	Motor Housing Label	1
14	660208055	Screw (M4 x 12 mm, Pan Hd.)	3	39	941588104	Data Label	1
15	661817001	Screw (M4 x 14 mm, T14 Torx Pan Hd.)	23	40	940705310	Ryobi 18 V Lithium Label	1
16	670960005	Lock Washer (M5, OD10 x ID5 x 0.45t)	2	41	940851101	Warning Translation Label	1
17	679034001	Compression Spring (Internal Tooth)	1	42	941773001	Step For Edging Label	1
18	679406001	Compression Spring (Trigger)	1	43	940657185	Warning Icon Label	1
19	680196006	Hex Nut (M6)	1	44	940851105	Auto Feed No Bump Label (Handle)	1
20	351183001	Switch Trigger and Lock-off Trigger	1	45	311895001	Switch and Contact Plate Assembly	1
21	940705308	Logo Label	2	46	660004019	Screw (M3 x 12 mm, Pan Hd.)	1
22	679933001	E-Ring	1	Not Shown:			
23	678587002	Washer (OD16 x ID8.2 x 1.2t)	1	991000677	Operator's Manual		
24	522929001	Roller	1	1-6-16			
25	522983001	Knob Bolt (M6 x 1 in.)	1	(Rev:02)			

* Standard Hardware Item – May Be Purchased Locally at The Home Depot

RYOBI P2008 STRING TRIMMER/EDGER



WIRING DIAGRAM