

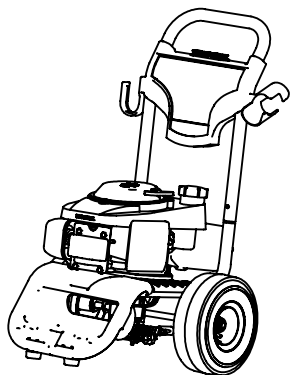
ITEM	PART NO	DESCRIPTION	QTY.	
1	7105501	FRAME BASE WELDMENT ASSEMBLY	1	
2	7106897	HANDLE, BONNET SERVICE ASSEMBLY WITH LABEL, RED	1	
†				
2.1		HANDLE, TUBE PAINTED RED	1	
†				
2.2	7106597	BONNET SVC ASSEMBLY, WITH LABEL	1	
†				
2.3		SCREW, 1/4-20 PHILLIPS PAN HEAD ZINC PLATED	2	
†				
3	7106898	ENGINE, SERVICE ASSEMBLY WITH LABELS	1	
†				
4	7104174	KEY, SHAFT 3/16 SQ X 1-1/4	1	
†				
5	7105466	OEM PUMP SERVICE ASSEMBLY, 3000PSI @2.4GPM	1	
†				
5.1		OEM PUMP, 3000PSI @2.4GPM	1	
†				
5.2		CAP, UNLOADER COVER	1	
†				
5.3		BOLT, FLANGE, 5/16-18	3	
†				
5.4		NUT, WHIZ, 5/16-18	3	
†				
6	7105505	SCOOP, TRIMMED AND SLOTTED	1	
†				
7	7102122	BUTTON SNAP	2	
†				
8	7104682	DISCONTINUED	1	
†				
8.1		SOAP TANK	1	
†				
8.2		CAP, SOAP TANK BLACK	1	
†				
8.3		SCREW, 1/4-20 TORX PANHEAD	2	
†				
9	7105013	WHEEL, SERVICE KIT	2	
†				
9.1		WHEEL, 10 X 4 BLACK	1	
†				
9.2		WASHER, 5/8 FLAT	1	
†				
9.3		CLIP, E-TYPE 5/8" X 0.042	1	
†				
10	7103292	FOOT KIT, RUBBER FOOT & SCREW	2	
†				
10.1		RUBBER FOOT, 1.50IN X 0.625IN	1	
†				
10.2		SCREW, 1/4-20 TORX PANHEAD	1	
†				
11	7106904	HARDWARE KIT, ENGINE/PUMP MOUNT	1	
†				
11.1		BOLT, FLANGE 5/16-18	3	
†				
11.2		NUT, WHIZ 5/16-18	3	
†				
12	7100389	GROMMET, 7/16" RUBBER	1	
†				
13	7105649	NOZZLE, SET 4 PC 2.5	1	
†				
14	7104847	GUN, 3000PSI M22(M) INLET, M22(F) OUTLET	1	
†				
15	7103550	LANCE, 16IN 1/4QC, M22(M)	1	
†				
16	7105238	HOSE, 3100PSI, 1/4 X 25' BLACK	1	
†				
17	7101682	SOAP HOSE, 1/4 X 51IN	1	
†				
18	7102045	TOOL, UNIVERSAL CLEANING NOZZLE	1	
*				
*	19	7104921	MANUAL, OPERATOR'S M60601 MODEL SPECIFIC	1
*	20	7104919	BOX, SHIPPING MODEL SPECIFIC	1

* NOT SHOWN

† NOT SOLD SEPARATELY

PUMP IDENTIFICATION TABLE

MACHINE SERIAL NO.	PUMP TYPE	PUMP KIT NO.	PUMP PART NO.
300163-300363	2500PSI@2.0GPM	N/A	7105575
300364-392620	2400PSI@2.0GPM	7106905	7105646
392620-PRESENT	3000PSI@2.4GPM	7105466	510014



ONLY THE LATEST VERSION OF THE PUMP IS AVAILABLE FOR REPLACEMENT

	NAME	DATE
DRAWN	MAV	5/31/2013
CHECKED	M.G.	6/03/2013
ENG APPR.	JEV	6/03/2013
MFG APPR.		
Q.A. APPR.	JEP	6/03/2013
SERVICE APPR.	D.H.	5/31/2013

FNA-GROUP

1265 INDUSTRIAL STREET, DECATUR, AR 72722

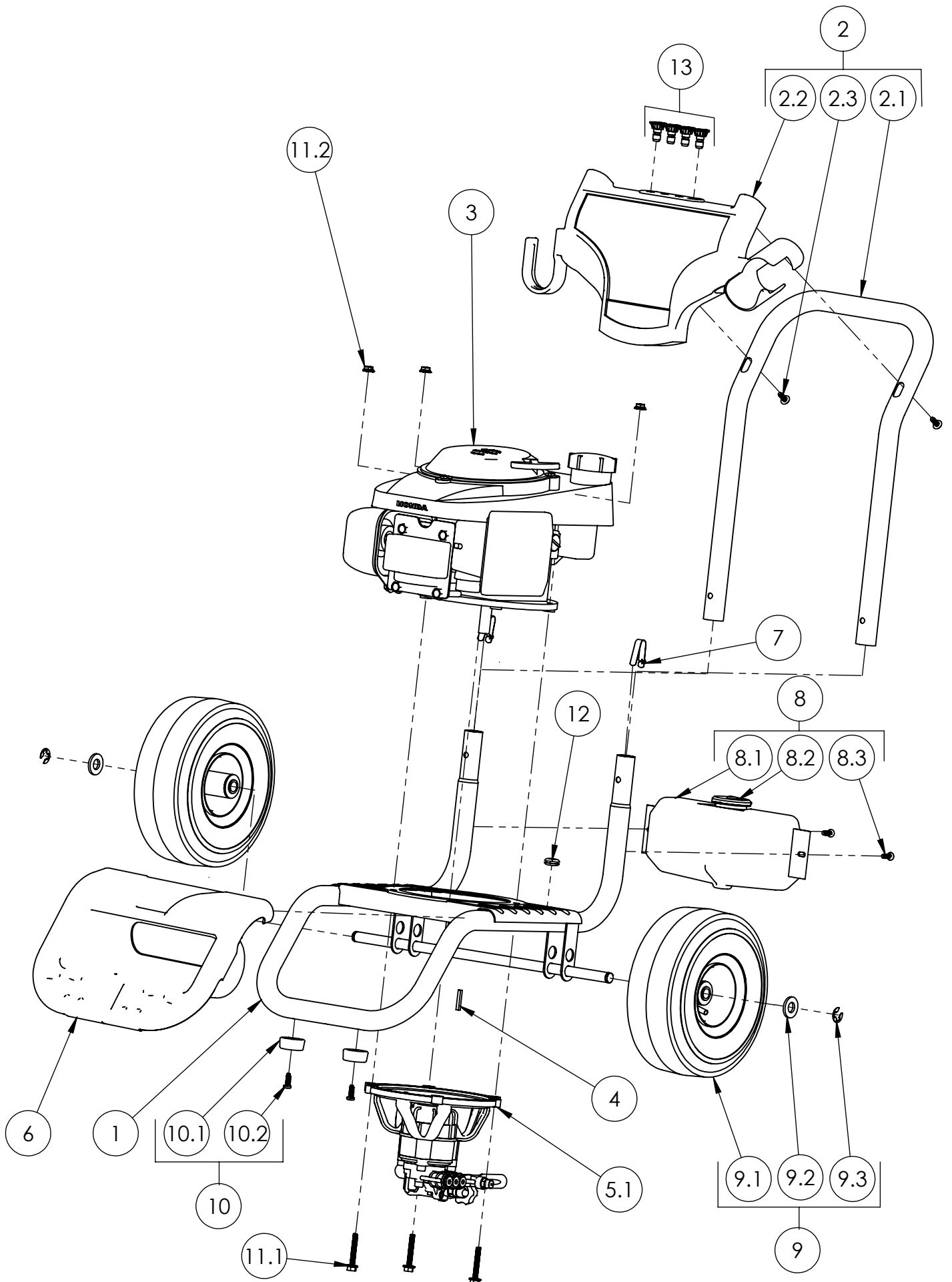
TITLE:

M60601

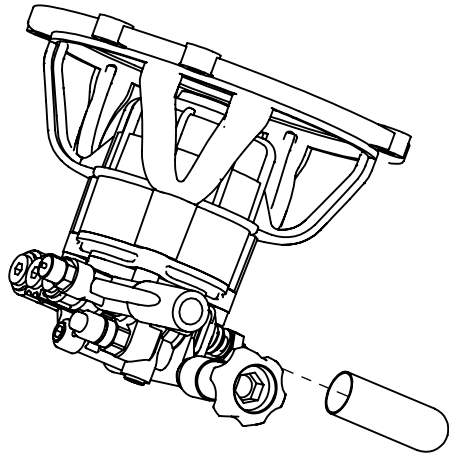
PROPRIETARY AND CONFIDENTIAL

THE INFORMATION CONTAINED IN THIS DRAWING IS THE SOLE PROPERTY OF FNA-GROUP. ANY REPRODUCTION IN PART OR AS A WHOLE WITHOUT THE WRITTEN PERMISSION OF FNA-GROUP IS PROHIBITED.

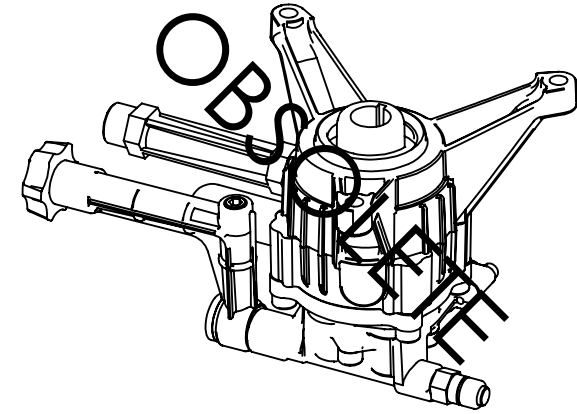
SIZE	DWG. NO.	REV.
A	60601-S	B
SCALE: N/A	ECN# DC13-0143	SHEET 1 OF 7



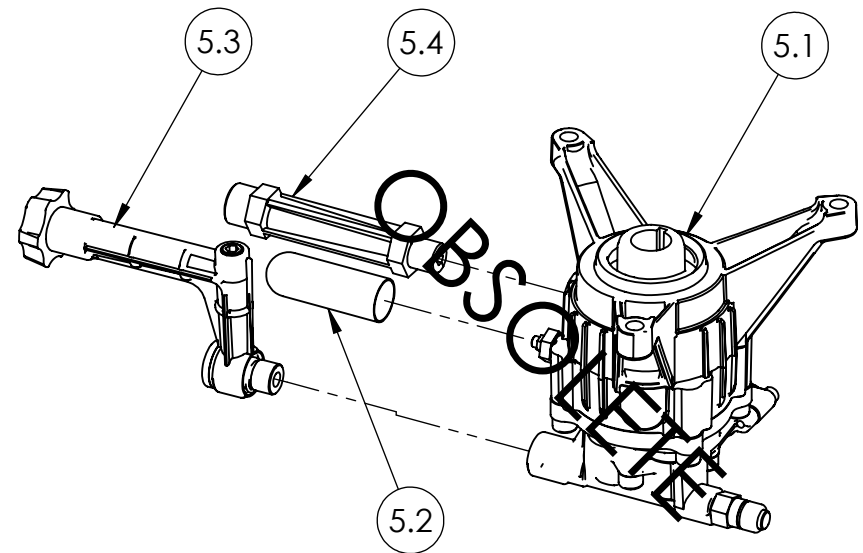
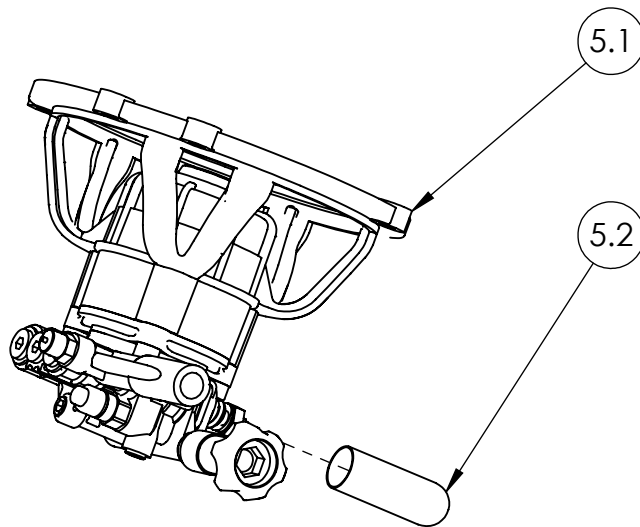
SIZE	DWG. NO.	REV.
A	60601-S	A
SCALE: N/A	ECN# DC-0143	SHEET 2 OF 14



PUMP SERVICE ASSEMBLY
PART NO. 7105466



PUMP SERVICE ASSEMBLY
PART NO. 7106905



ITEM	PART NO	DESCRIPTION	QTY.
5.1	510014	OEM PUMP, 3000PSI @ 2.4GPM	1
5.2		CAP, UNLOADER COVER	1
5.3		BOLT, FLANGE 5/16-18	3
5.4		NUT, WHIZ, 5/16-18	3

*
*

* NOT SHOWN

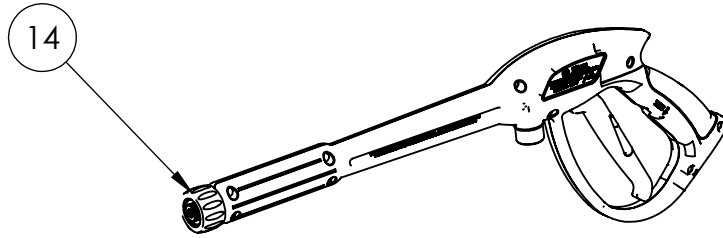
ITEM	PART NO	DESCRIPTION	QTY.
5.1	7105646	PUMP, VERTICAL 2400PSI @ 2.0GPM	1
5.2		CAP, BLACK VINYL	1
5.3		EXTENSION, INLET	1
5.4		EXTENSION, OUTLET	1
5.5		BOLT, FLAGE 5/16-18	1
5.6		NUT, WHIZ, 5/16-18	1

*
*

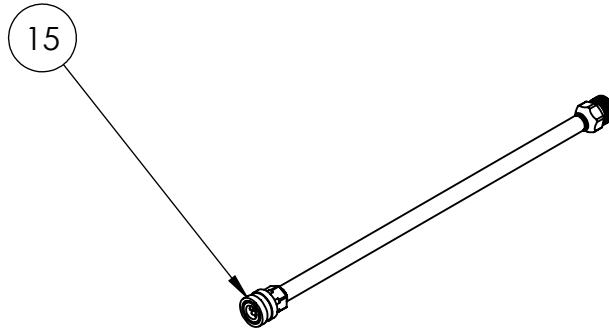
* NOT SHOWN

PUMP 7105575 NOT SHOWN IN MODEL VIEW

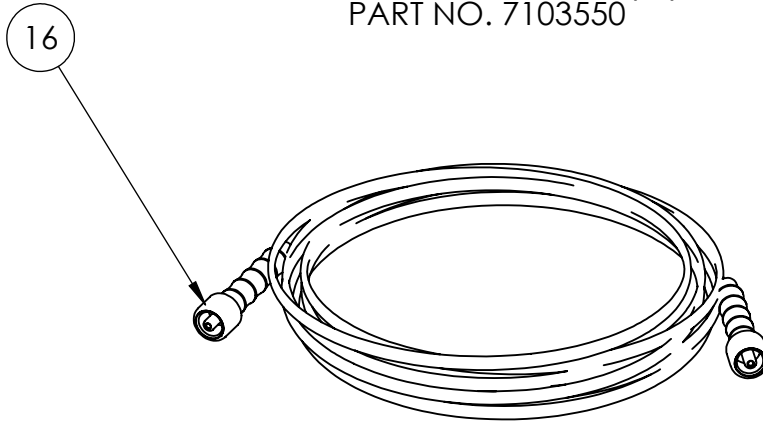
SIZE A	DWG. NO. 60601-S	REV. B
SCALE: N/A	ECN# DC13-0143	SHEET 3 OF 14



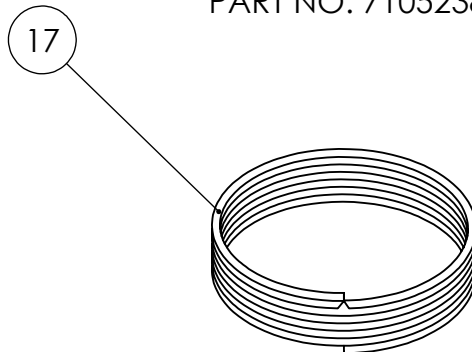
GUN, 3000PSI M22(M) M22(F)
PART NO. 7104847



LANCE, 16IN QC, M22(M)
PART NO. 7103550



HOSE, 3100PSI 1/4 X 25' BLACK
PART NO. 7105238



SOAP HOSE, 1/4 X 51"
PART NO. 7101682