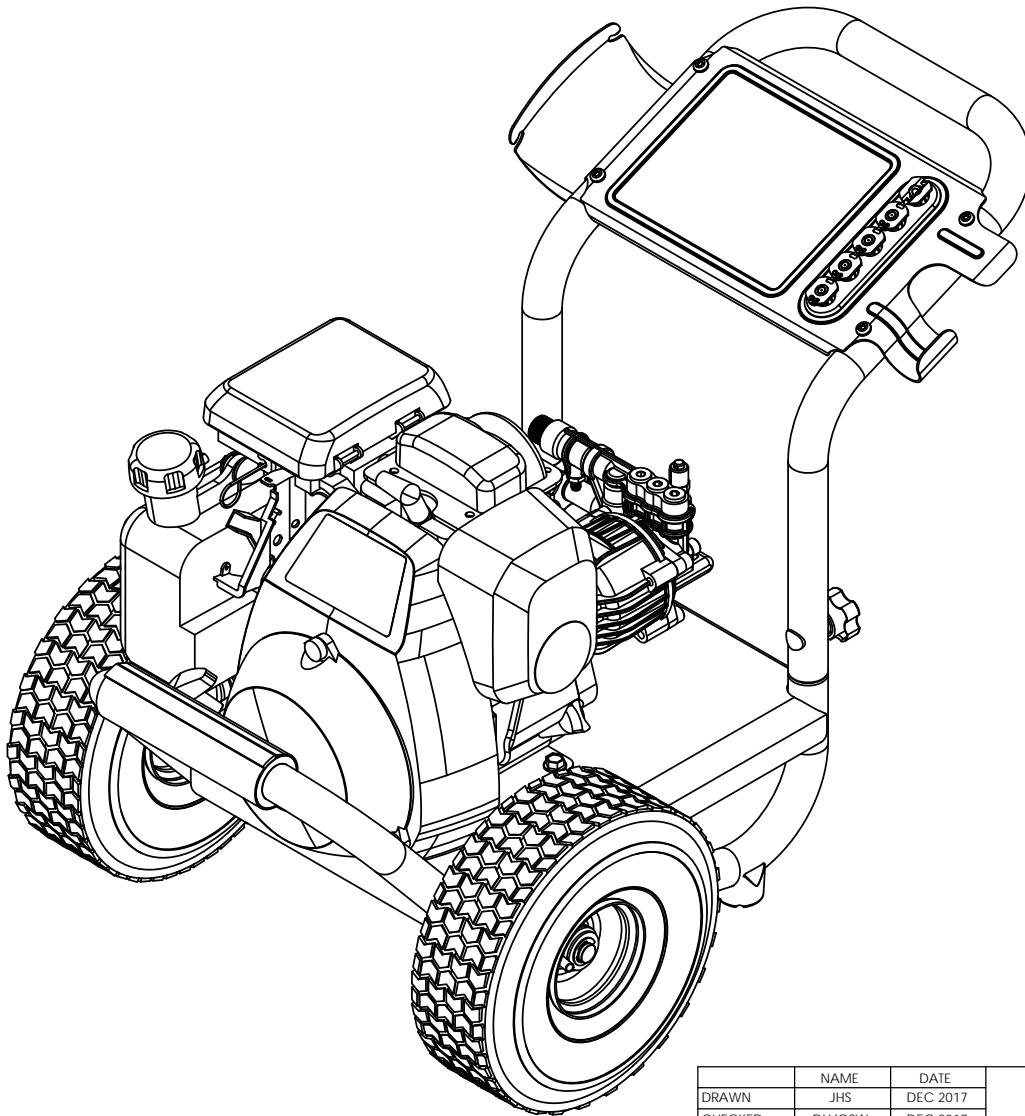


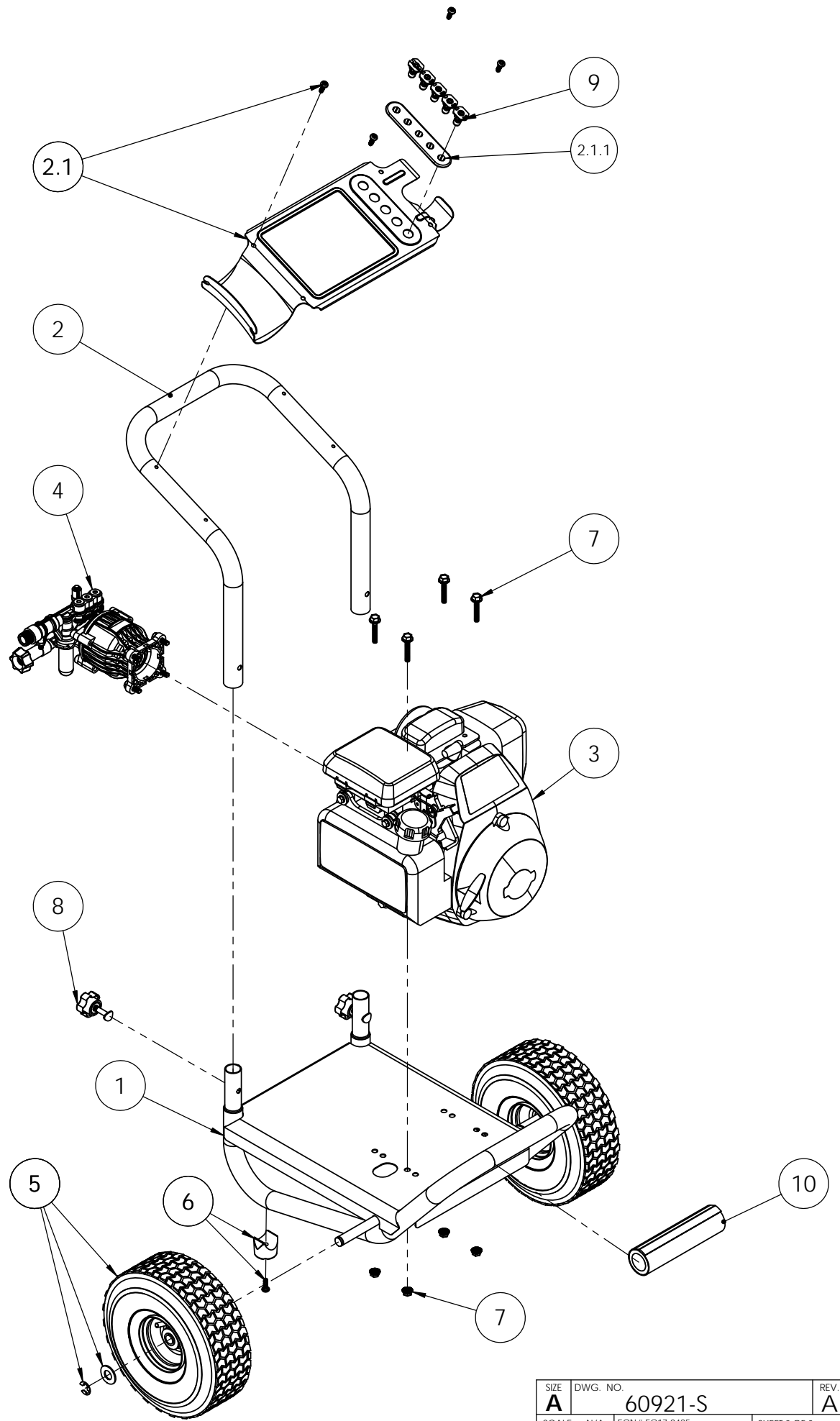
ITEM	PART NO	QTY.	DESCRIPTION
1	7109230	1	FRAME, BASE ASSY, 11.75 SILVER W/LABELS
2	7110664	1	HANDLE SERVICE ASSY, 60921
2.1	7110663	1	DASHBOARD SERVICE ASSY, 60921
2.1.1	7103161	1	NOZZLE HOLDER, 5PC RUBBER
3	7107312	1	ENGINE SERVICE ASSY, GC190, RED
4	7109581	1	PUMP, SVC ASSY
5	7105013	1	WHEEL, SERVICE KIT
6	7109385	2	FOOT SERVICE KIT
7	7103750	1	MOUNTING KIT, ENGINE
8	7103279	2	HARDWARE KIT, HANDLE MOUNTING
9	7104818	1	NOZZLE, #2.80 5PCSET 0, 15, 25, 40 & SOAP
10	7105186	1	HANDLE GRIP, SILVER/WHITE SIMPSON



	NAME	DATE
DRAWN	JHS	DEC 2017
CHECKED	DH/OSW	DEC 2017
ENG APPR.	OSW	DEC 2017
MFG APPR.	-	-
Q.A. APPR.	-	-
SERVICE APPR.	DH	DEC 2017

PROPRIETARY AND CONFIDENTIAL
 THE INFORMATION CONTAINED IN THIS DRAWING IS THE SOLE PROPERTY OF FNA-GROUP. ANY REPRODUCTION IN PART OR AS A WHOLE WITHOUT THE WRITTEN PERMISSION OF FNA-GROUP IS PROHIBITED.

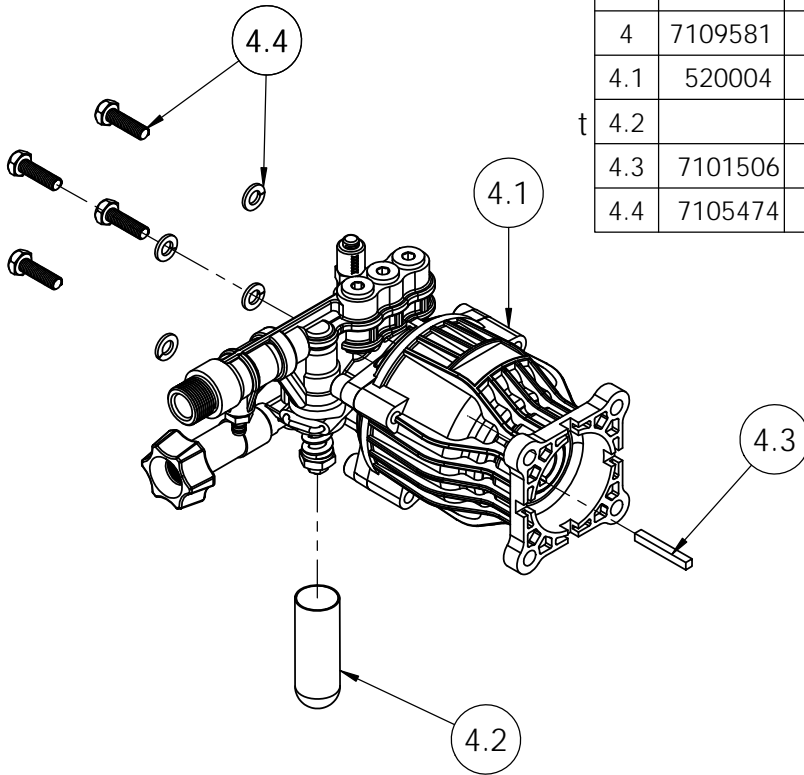
FNA-GROUP		
1265 INDUSTRIAL STREET, DECATUR, AR 72722		
TITLE:		
MS60921 3300PSI @ 2.4GPM SIMPSON		
SIZE	DWG. NO.	REV.
A	60921-S	A
SCALE: N/A	ECN# EC17-0425	SHEET 1 OF 3



SIZE	DWG. NO.	REV.
A	60921-S	A
SCALE: N/A	ECN# EC17-0425	SHEET 2 OF 3

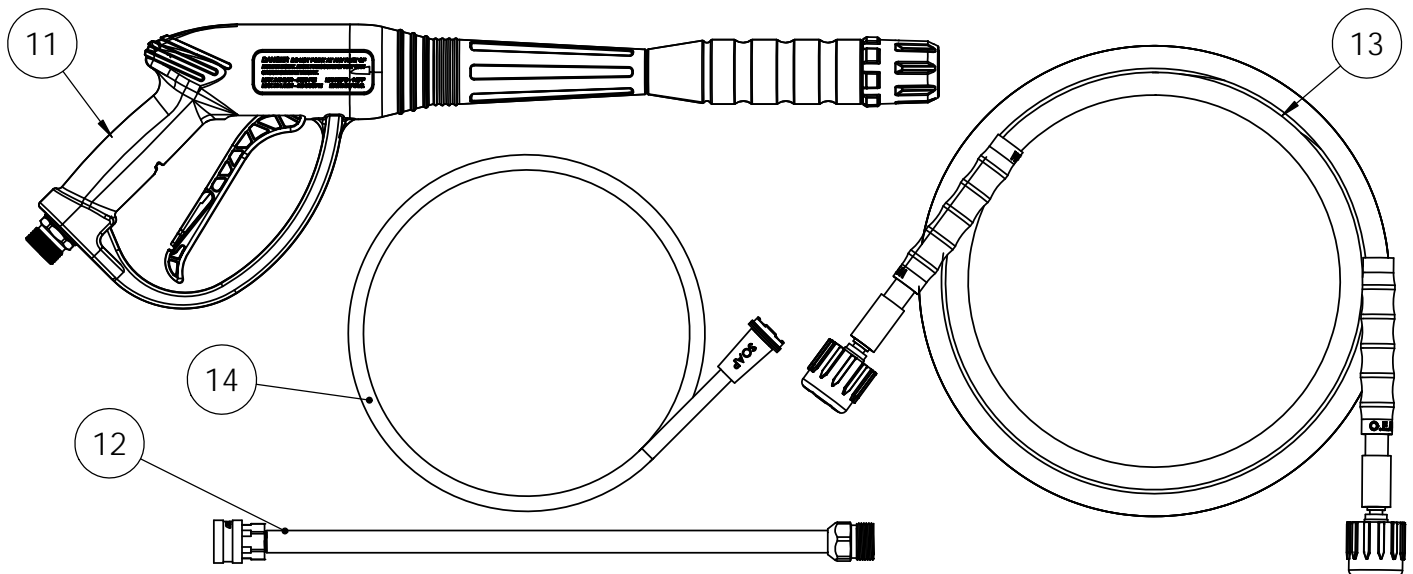
ITEM	PART NO	QTY.	DESCRIPTION
4	7109581	1	PUMP, SVC ASSY
4.1	520004	1	PUMP, HORZ, 12mmx12DEG, P/B, AL UNIHEAD
t 4.2		1	CAP, UNLOADER COVER 1 1/2" x 5/8" BLACK
4.3	7101506	1	KEY, SHAFT 3/16 X 3/16 X 1-1/2
4.4	7105474	1	HARDWARE KIT, PUMP MOUNTING

t NOT SOLD SEPERATELY



ITEM	PART NO	QTY.	DESCRIPTION
11	7109565	1	GUN, 3600PSI 8GPM M22(M) X M22(F) OEM
12	7103550	1	LANCE, 16" W/ 1/4 QC AND M22(M)
13	7106419	1	HOSE, MORFLEX 1/4" x 25' x 3100PSI M22(M) x M22(F)
14	7102207	1	KIT, SVC ASSY SOAP HOSE W/PLASTIC FILTER
* 15	7102045	1	TOOL, NOZZLE CLEANING, UNIVERSAL

* NOT SHOWN



SIZE	DWG. NO.	REV.
A	60921-S	A
SCALE: N/A	ECN# EC17-0425	SHEET 3 OF 3

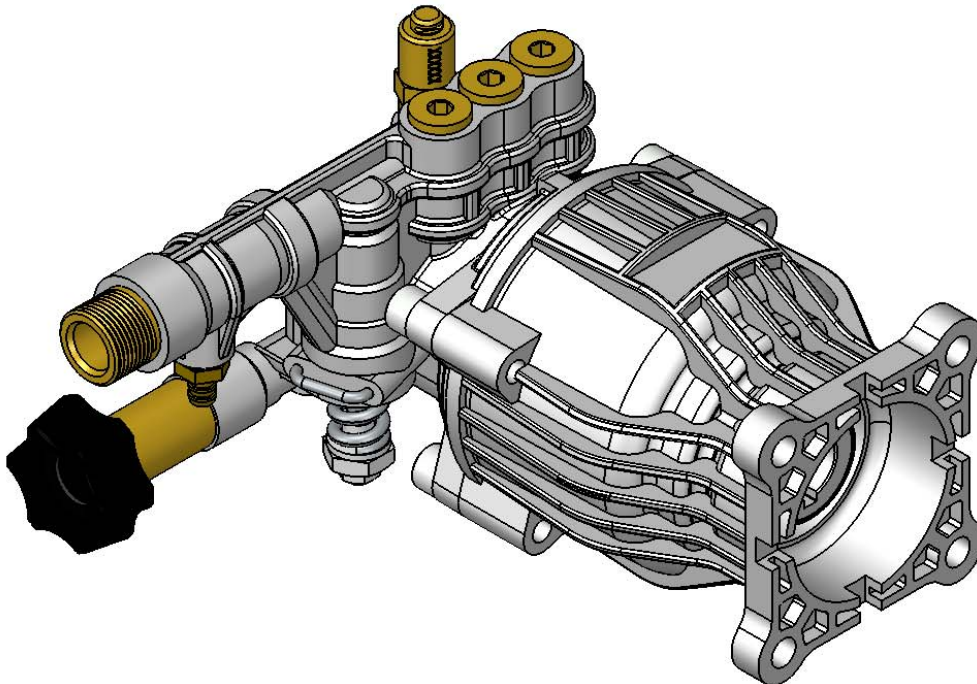
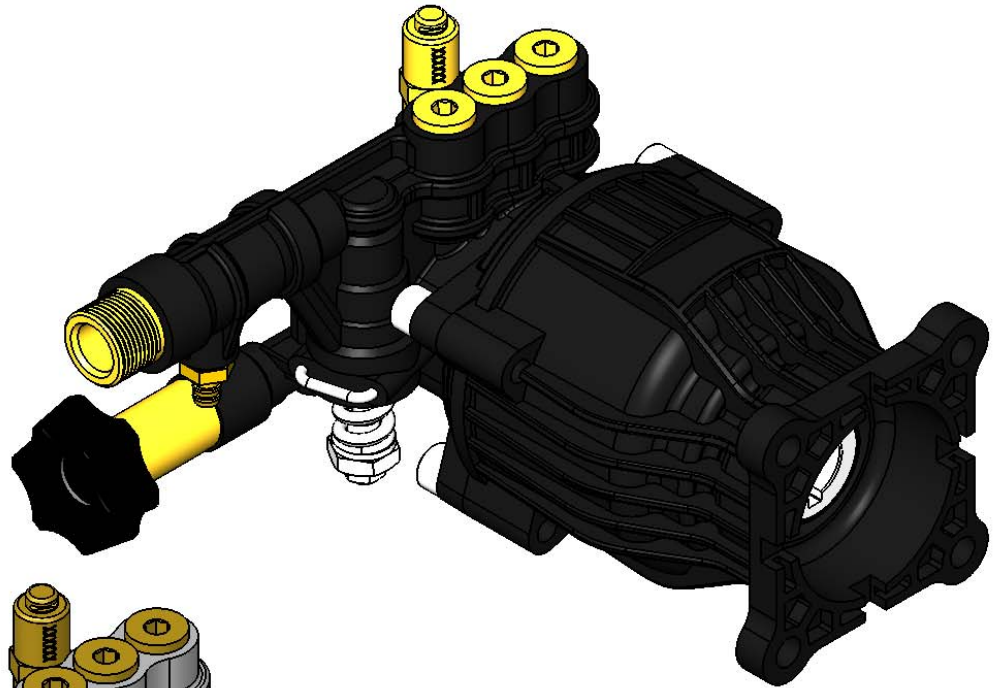
OEM HORIZONTAL AXIAL PUMP IPL

PUMPS COVERED IN THIS IPL

520004

Black Anodized

520006



	NAME	DATE
DRAWN	JHS	AUG 2017
CHECKED	DH/OSW	AUG 2017
ENG APPR.	OSW	AUG 2017
MFG APPR.	-	-
O.A. APPR.	-	-
SERVICE APPR.	DH	AUG 2017

PROPRIETARY AND CONFIDENTIAL
 THE INFORMATION CONTAINED IN THIS DRAWING IS THE SOLE PROPERTY OF FNA-GROUP. ANY REPRODUCTION IN PART OR AS A WHOLE WITHOUT THE WRITTEN PERMISSION OF FNA-GROUP IS PROHIBITED.

FNA-GROUP

1265 INDUSTRIAL STREET, DECATUR, AR 72722

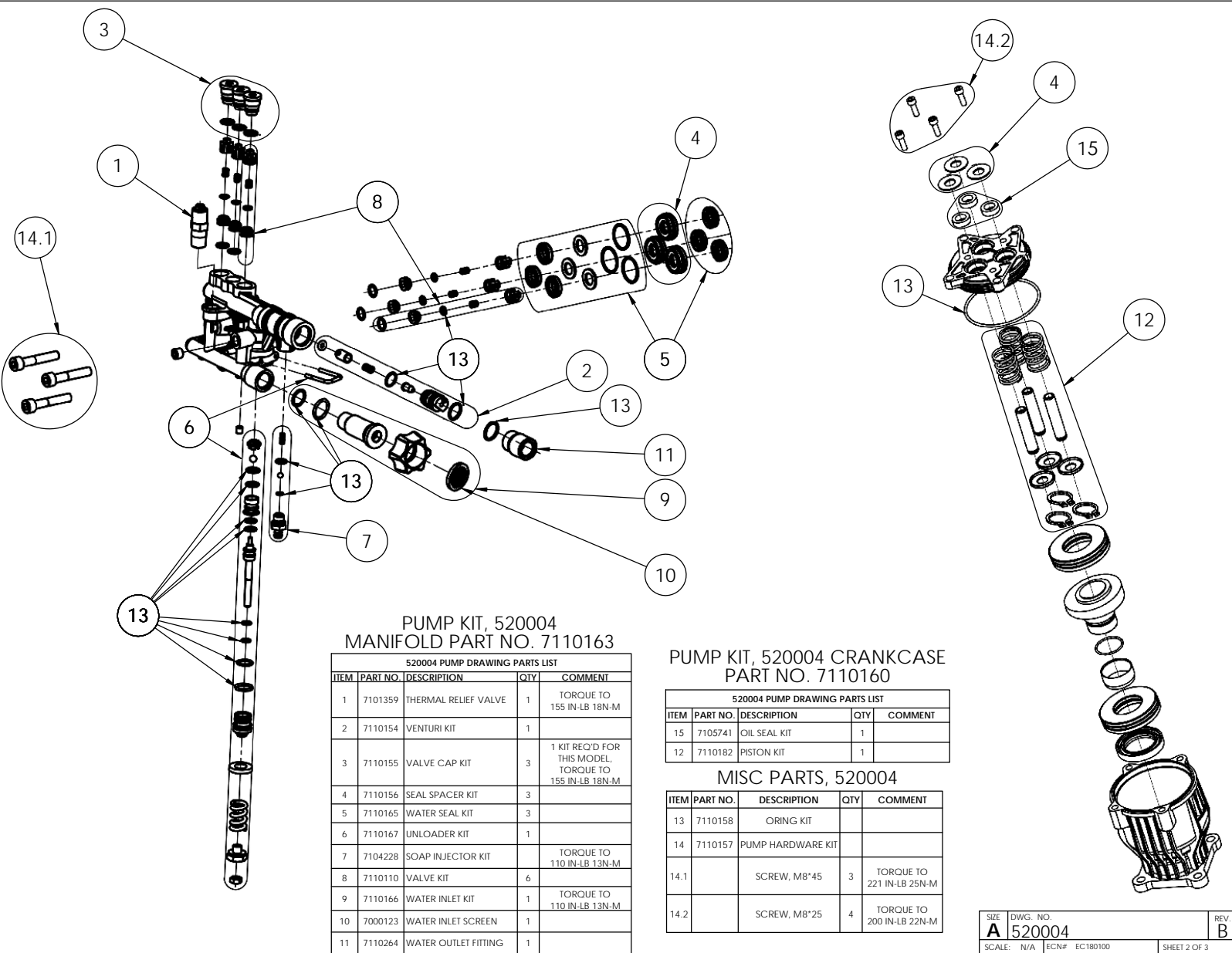
TITLE:

OEM HORIZONTAL AXIAL PUMPS 520004 520006

SIZE	DWG. NO.	REV.
A	520004 520006	B
SCALE:	N/A	ECN# EC180100

SHEET 1 OF 3

Version: 2018



PUMP KIT, 520004
MANIFOLD PART NO. 7110163

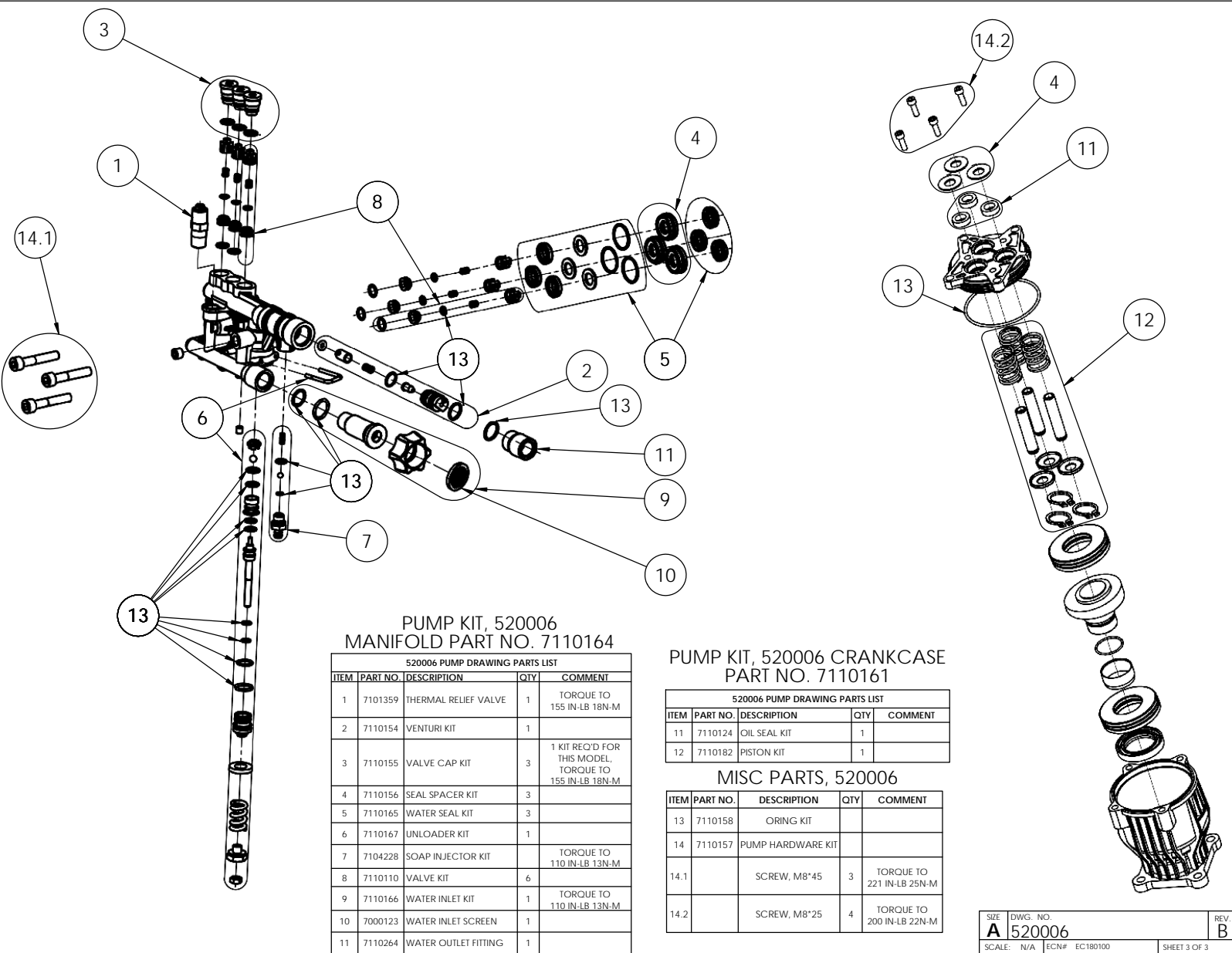
520004 PUMP DRAWING PARTS LIST				
ITEM	PART NO.	DESCRIPTION	QTY	COMMENT
1	7101359	THERMAL RELIEF VALVE	1	TORQUE TO 155 IN-LB 18N-M
2	7110154	VENTURI KIT	1	
3	7110155	VALVE CAP KIT	3	1 KIT REQ'D FOR THIS MODEL, TORQUE TO 155 IN-LB 18N-M
4	7110156	SEAL SPACER KIT	3	
5	7110165	WATER SEAL KIT	3	
6	7110167	UNLOADER KIT	1	
7	7104228	SOAP INJECTOR KIT		TORQUE TO 110 IN-LB 13N-M
8	7110110	VALVE KIT	6	
9	7110166	WATER INLET KIT	1	TORQUE TO 110 IN-LB 13N-M
10	7000123	WATER INLET SCREEN	1	
11	7110264	WATER OUTLET FITTING	1	

PUMP KIT, 520004 CRANKCASE
PART NO. 7110160

520004 PUMP DRAWING PARTS LIST				
ITEM	PART NO.	DESCRIPTION	QTY	COMMENT
15	7105741	OIL SEAL KIT	1	
12	7110182	PISTON KIT	1	

MISC PARTS, 520004

ITEM	PART NO.	DESCRIPTION	QTY	COMMENT
13	7110158	ORING KIT		
14	7110157	PUMP HARDWARE KIT		
14.1		SCREW, M8*45	3	TORQUE TO 221 IN-LB 25N-M
14.2		SCREW, M8*25	4	TORQUE TO 200 IN-LB 22N-M



PUMP KIT, 520006
MANIFOLD PART NO. 7110164

520006 PUMP DRAWING PARTS LIST				
ITEM	PART NO.	DESCRIPTION	QTY	COMMENT
1	7101359	THERMAL RELIEF VALVE	1	TORQUE TO 155 IN-LB 18N-M
2	7110154	VENTURI KIT	1	
3	7110155	VALVE CAP KIT	3	1 KIT REQ'D FOR THIS MODEL, TORQUE TO 155 IN-LB 18N-M
4	7110156	SEAL SPACER KIT	3	
5	7110165	WATER SEAL KIT	3	
6	7110167	UNLOADER KIT	1	
7	7104228	SOAP INJECTOR KIT		TORQUE TO 110 IN-LB 13N-M
8	7110110	VALVE KIT	6	
9	7110166	WATER INLET KIT	1	TORQUE TO 110 IN-LB 13N-M
10	7000123	WATER INLET SCREEN	1	
11	7110264	WATER OUTLET FITTING	1	

PUMP KIT, 520006 CRANKCASE
PART NO. 7110161

520006 PUMP DRAWING PARTS LIST				
ITEM	PART NO.	DESCRIPTION	QTY	COMMENT
11	7110124	OIL SEAL KIT	1	
12	7110182	PISTON KIT	1	

MISC PARTS, 520006

ITEM	PART NO.	DESCRIPTION	QTY	COMMENT
13	7110158	ORING KIT		
14	7110157	PUMP HARDWARE KIT		
14.1		SCREW, M8*45	3	TORQUE TO 221 IN-LB 25N-M
14.2		SCREW, M8*25	4	TORQUE TO 200 IN-LB 22N-M