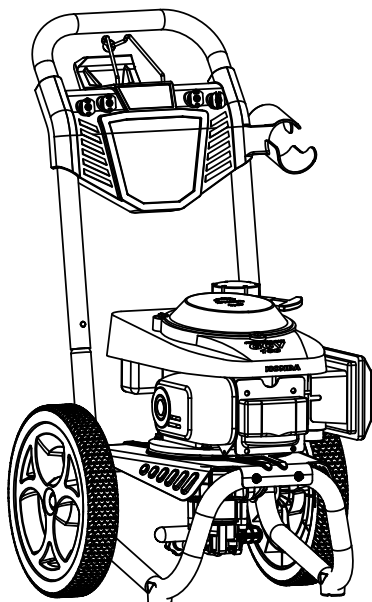


ITEM	PART NO.	DESCRIPTION	QTY.
1	7108373	KIT, BASE FRAME SERVICE ASSEMBLY MS60773	1
† 1.1		TUBE, BASE FRAME MSV BOLT UP BLACK	1
† 1.2		BOLT, 1/4"-20 x 1 3/4" SERRATED HHFB GR8	4
† 1.3		PLATE, BASE FRAME 14 GA (SILVER)	1
† 1.4		WASHER, SADDLE 5/16 X 1.0 X 0.060	4
† 1.5		NUT, 1/4"-20 NYLOCK	4
2	7108334	KIT, HANDLE SVC ASSY MS60773 W/BONNET	1
† 2.1		HANDLE, TUBE F/BLACK (MSV3024) 18 GA.	1
2.2	7108335	BONNET/DASHBOARD SMALL UNIVERSAL ASSEMBLY 12" C-C	1
† 2.3		SCREW, 1/4"-20 x 3/4" PHIL TAPTITE ZINC	2
* 2.4	7105880	NOZZLE HOLDER INSERT .610[15.5] X .630[16.0]	4
* 2.5	7105881	BUNGEE, HOSE HANGER WITH BALL GRIP	1
3	7106479	ENGINE, SVC KIT ASSY, GCV160 W/KEY, LAB	1
4	7104174	KEY, SHAFT 3/16" x 3/16" x 1 1/4"	1
5	7108394	PUMP, SVC ASSY 2800@2.3 W/O PB 11 DEG WOBBLE PLATE	1
† 5.1	510015	PUMP, 2800@2.3 W/O PB 11 DEG WOBBLE PLATE	1
† 5.2		CAP, UNLOADER COVER 1 1/2" x 5/8" BLACK	1
† 5.3		NUT, WHIZ 5/16"-18	3
† 5.4		BOLT, FLANGE 5/16"-18	3
6	7106790	WHEEL KIT, 12" x 2"	2
† 6.1		POWERWASHER WHEEL 12"X2" POLYPRO/PVC BLK	1
† 6.2		AXLE, STUB .525" x 3.655" ROUND HEAD ZN	1
† 6.3		COTTER PIN, 3/8-5/8" x 3/32 x 2-3/8 STL	1
† 6.4		WASHER, 1/2 X 1.50 FENDER, ZINC PLATED	1
† 6.5		WASHER, 1/2" FLAT SAE THROUGH HARDENED	1
7	7105468	FOOT SERVICE KIT, RUBBER FOOT AND SCREW	2
† 7.1		FOOT, RUBBER 1.5OD FITTED TO 1.25 TUBE	1
† 7.2		SCREW, TORX PANHEAD 1/4"	1
8	7103776	ENGINE MOUNT HARDWARE KIT (PROD)	1
† 8.1		NUT, WHIZ 5/16"-18	3
† 8.2		BOLT, FLANGE 5/16"-18	3
9	7102122	BUTTON, SNAP	2
10	7108090	NOZZLE, 4 PC SET 1/4QC-M #2.6-0°, #3.0-15°&40°, PSOAP	1
11	7108115	GUN, OEM FRT ENTRY, OF341 3400 PSI W/DNW	1
12	7103550	LANCE, 16" W/ 1/4" QC-F x M22(M)	1
13	7102207	SOAP HOSE AND FILTER KIT	1
* 14	7108062	MANUAL, OPERATOR'S MS60773 MOD SPECIFIC	1
* 15	7108375	BOX KIT	1
* 16	7108160	HOSE, MORFLEX 1/4" x 25' x 3100PSI M22 x M22	1

\* NOT SHOWN

† NOT SOLD SEPERATELY



	NAME	DATE
DRAWN	KDB	6/4/15
CHECKED	GN	6/4/15
ENG APPR.	SAC	6/5/15
MFG APPR.	-	-
O.A. APPR.	-	-
SERVICE APPR.	-	-

**PROPRIETARY AND CONFIDENTIAL**

THE INFORMATION CONTAINED IN THIS DRAWING IS THE SOLE PROPERTY OF FNA-GROUP. ANY REPRODUCTION IN PART OR AS A WHOLE WITHOUT THE WRITTEN PERMISSION OF FNA-GROUP IS PROHIBITED.

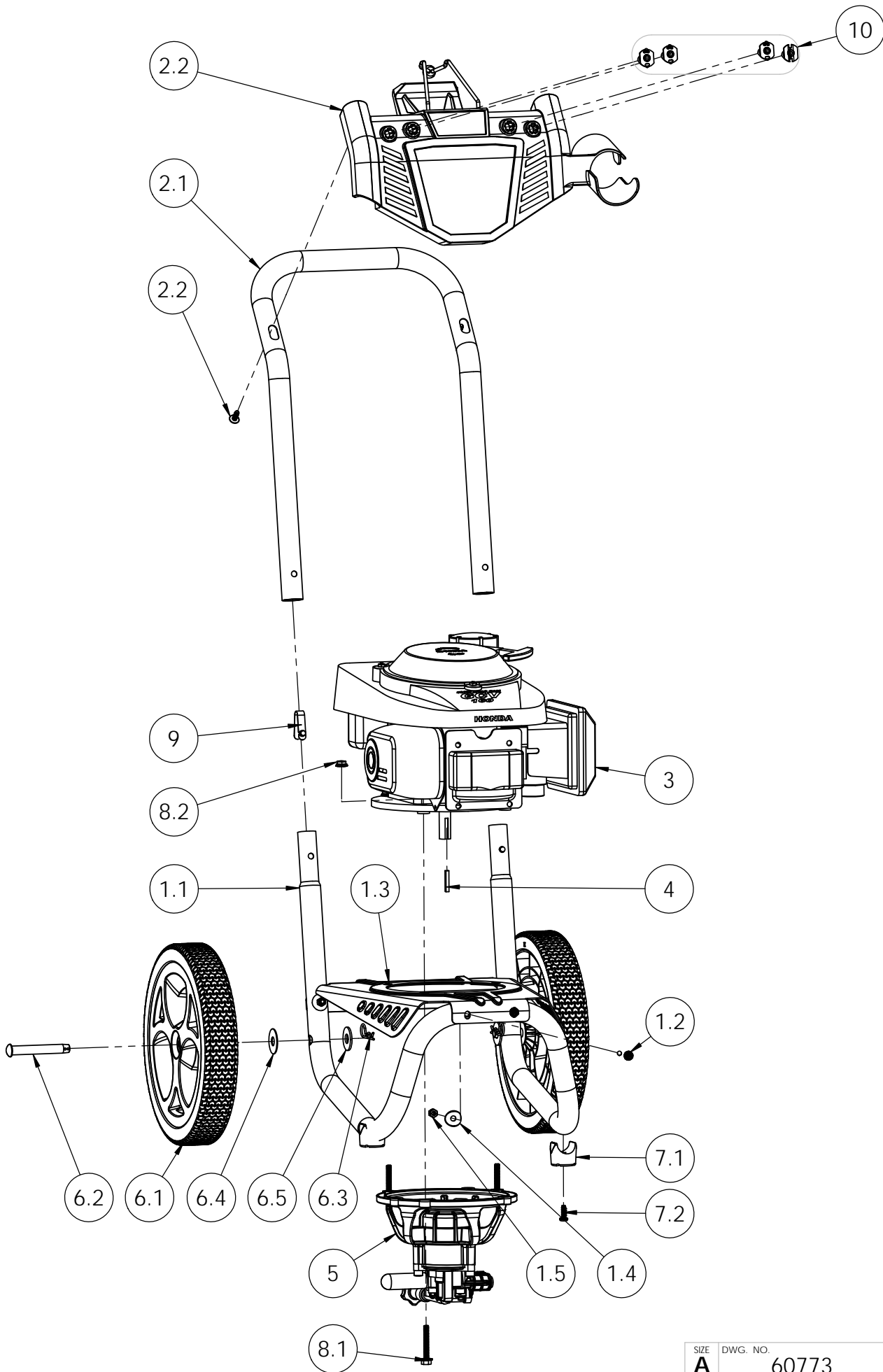
**FNA-GROUP**

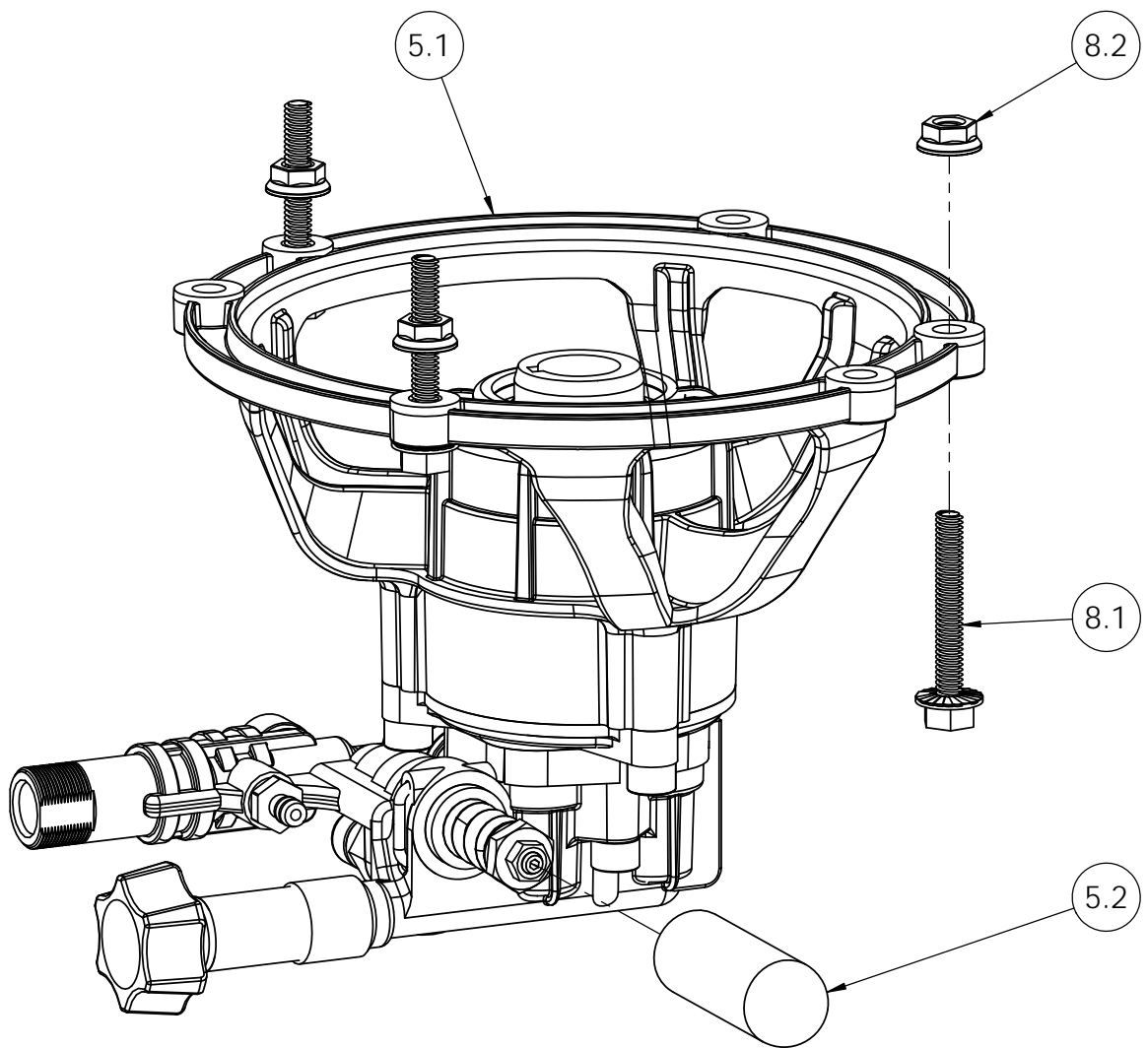
1265 INDUSTRIAL STREET, DECATUR, AR 72722

TITLE:

**MS60773 2800PSI @  
2.3GPM GCV160**

SIZE	DWG. NO.	REV.
<b>A</b>	<b>60773</b>	<b>B</b>
SCALE:	N/A	ECN# DC15-0061
		SHEET 1 OF 9

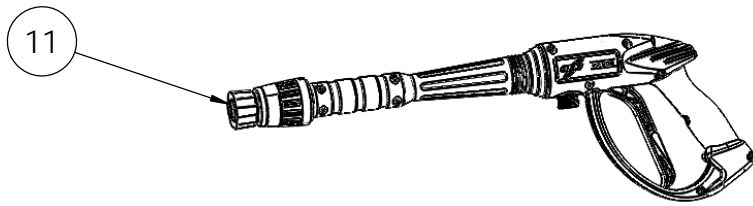




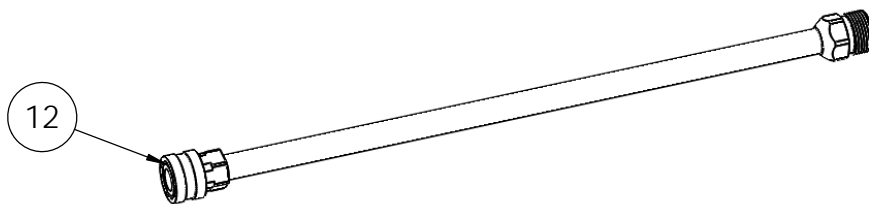
5 PUMP, SVC ASSY 2800@2.3 W/O PB 11 DEG WOBBLE PLATE  
PART NO. 7108394

ITEM	PART NO.	DESCRIPTION	QTY
5.1	510015	PUMP, 2800@2.3 W/O PB 11 DEG WOBBLE PLATE	1
5.2		CAP, UNLOADER COVER 1 1/2" x 5/8" BLACK	1
8.1		BOLT, FLANGE 5/16"-18	3
8.2		NUT, WHIZ 5/16"-18	3
* 4	7104174	KEY, 3/16" X 3/16	1

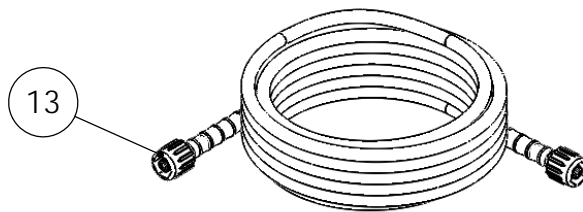
\* NOT SHOWN



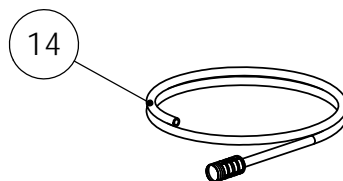
GUN, OEM FRT ENTRY, OF341 3400 PSI W/DNW  
PART NO. 7108115



LANCE, 16" W/ 1/4" QC-F x M22(M)  
PART NO. 7103550



HOSE, MORFLEX 1/4" x 25' x 3100PSI M22 x M22  
PART NO. 7108160



SOAP HOSE AND FILTER KIT  
PART NO. 7102207