



**Ersatzteilliste  
Spare Parts List  
Liste des pièces de rechange**

# **K SPECIAL \*USA**

**1.855-870.0 KAER SPECIAL**

GRUPPE: 1.0 EINZELTEILE  
GROUP: 1.0 PIECE PARTS  
GRUPPE: 1.0 PIECES CONSTITUANTES

**A1**

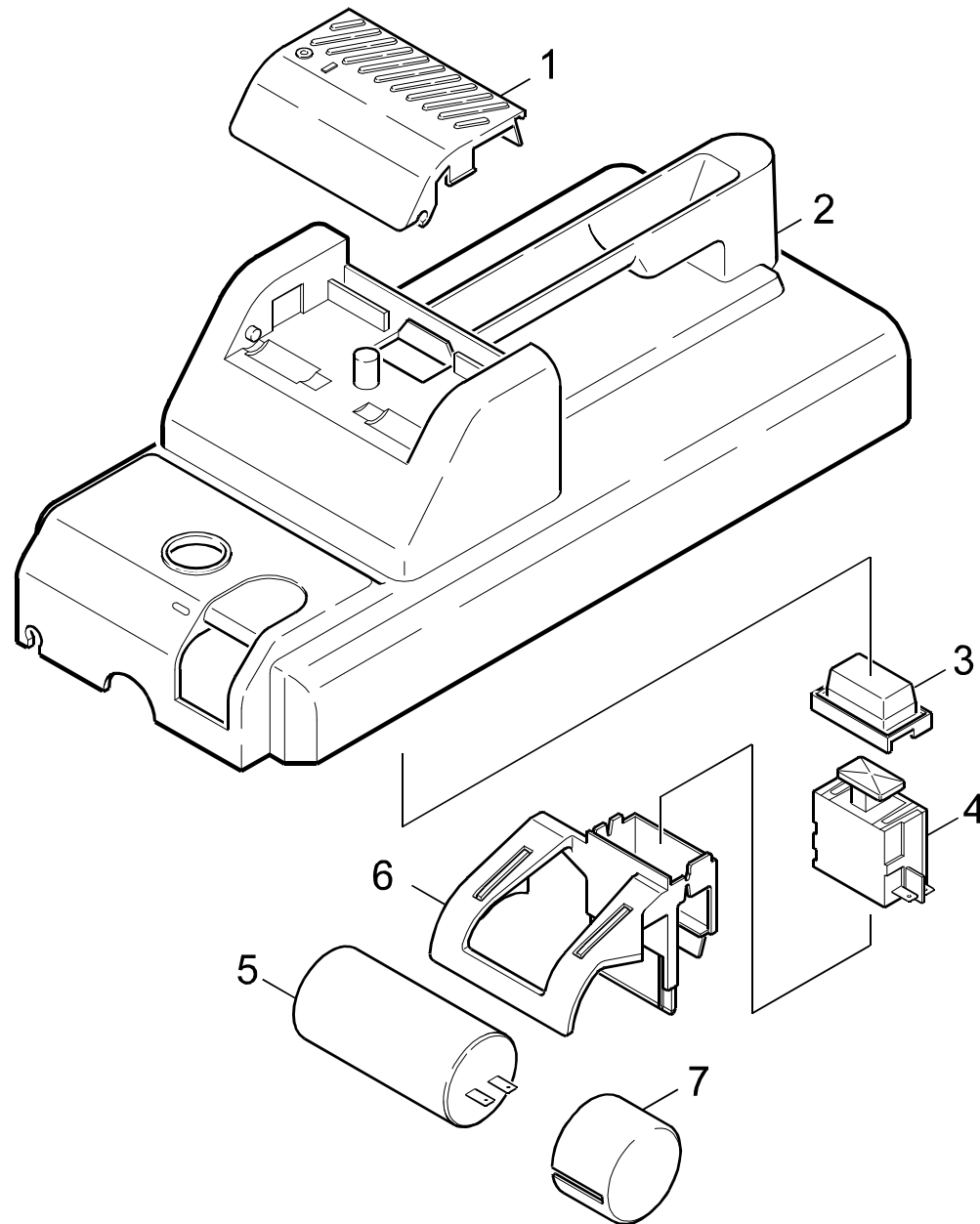
**K SPECIAL \*USA**

**GRUPPE: 1.0 EINZELTEILE**  
**GROUP: 1.0 PIECE PARTS**  
**GRUPPE: 1.0 PIECES CONSTITUANTES**

GRUPPE: 1.1 OBERTEIL  
GROUP: 1.1 TOP PART  
GRUPPE: 1.1 PARTIE SUPERIEUR

**B1**

**K SPECIAL \*USA**



Symbolbeschreibung siehe M16 / symbol description see M16 / désignation de système voir M16 /

GRUPPE: 1.1 OBERTEIL  
GROUP: 1.1 TOP PART  
GROUPE: 1.1 PARTIE SUPERIEUR

C1

K SPECIAL \*USA

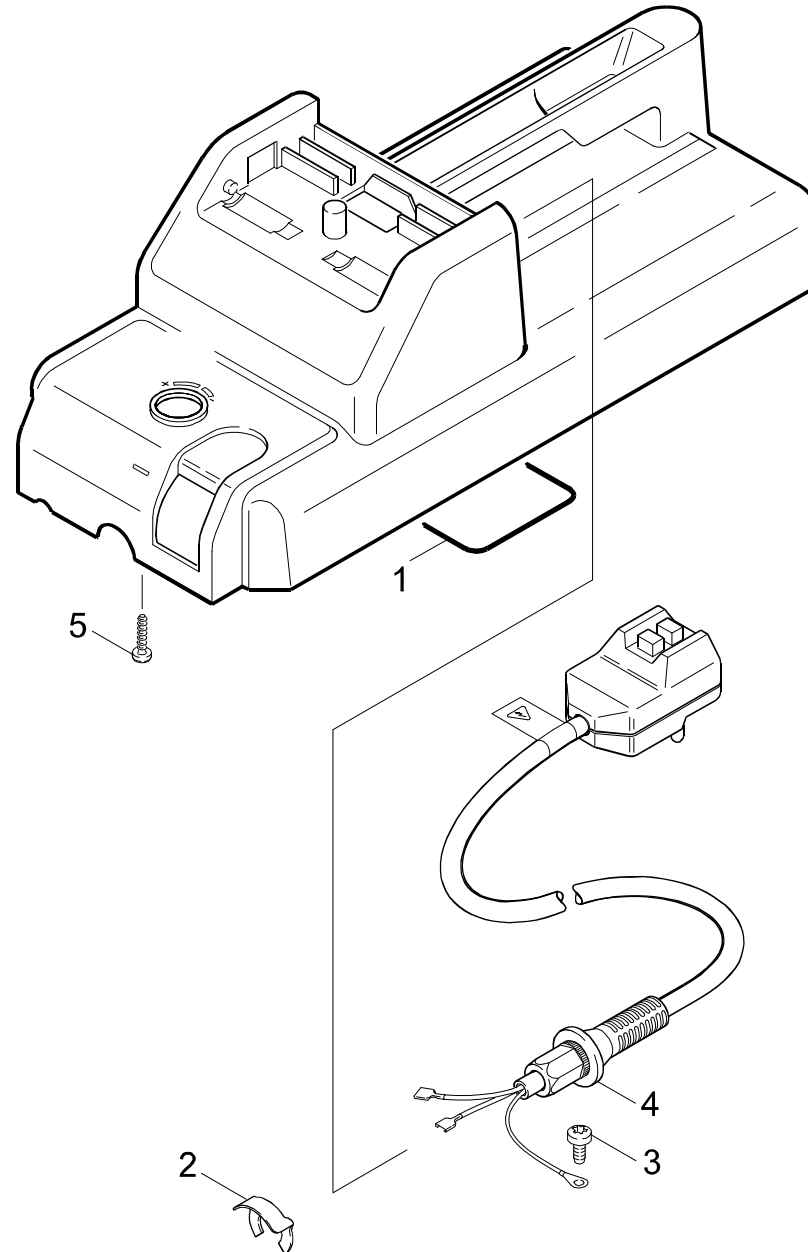
| POS. | BENNENUNG  | TEILE-NR.   | STCK |
|------|--|-------------|------|
| ITM. | DESCRIPTION  | PART-NO.    | QTY. |
| POS. | DESIGNATION  | NO.PIECE    | NBR. |
| 1    | TASTER / CALIPERS / BOUTON POUSSOIR  | 4.324-008.0 | 1    |
| 2    | UBS KAE.580 HAUBEN / CONVERSION KIT / KIT DE MODIFIC.  | 2.882-351.0 | 1    |
|      | <b>UMBAUSATZ VON HAUBENLAENGE 380MM AUF<br/>400MM/CONVERSION KIT FROM COVER WITH A LENGTH OF<br/>380MM TO 400MM/KIT DE MODIFICATION DE LA LONGEUR DU<br/>CAPOT DE 380MM A 400M</b> |             |      |
| 2    | HAUBE OBERTEIL / COVER / CAPOT   | 5.066-620.0 | 1    |
|      | <b>FUER HAUBENLAENGE 400 MM/FOR COVER WITH A LENGTH<br/>OF 400 MM/POUR LA LONGEUR DU CAPOT AVEC 400 MM</b>   |             |      |
| 3    | WASSERSCHUTZHAUBE / PROTECTING CAP / CAPOT PROT.   | 6.631-550.0 | 1    |
| 4    | SCHALTER / SWITCH / INTERRUPTEUR   | 6.631-581.0 | 1    |
| 5    | KONDENSATOR / CAPACITOR / CONDENSATEUR   | 6.661-177.0 | 1    |
| 6    | SCHALTERKONSOLE / BRACKET / CONSOLE  | 6.631-662.0 | 1    |
| 7    | SCHUTZTEIL / PROTECTION PART / PARTIE PROTECTEUR   | 5.394-331.0 | 1    |

"=> xxxxxx" = bis Werknummer / up to serial No. / jusqu' au No. de fabr. / "xxxxxx =>" = ab Werknummer / from serial No. / a partir du No. de fabr. /

GRUPPE: 1.2 KABEL  
GROUP: 1.2 CABLE  
GRUPPE: 1.2 CABLE

D1

K SPECIAL \*USA



Symbolbeschreibung siehe M16 / symbol description see M16 / désignation de système voir M16 /

GRUPPE: 1.2 KABEL  
GROUP: 1.2 CABLE  
GRUPPE: 1.2 CABLE

**E1**

**K SPECIAL \*USA**

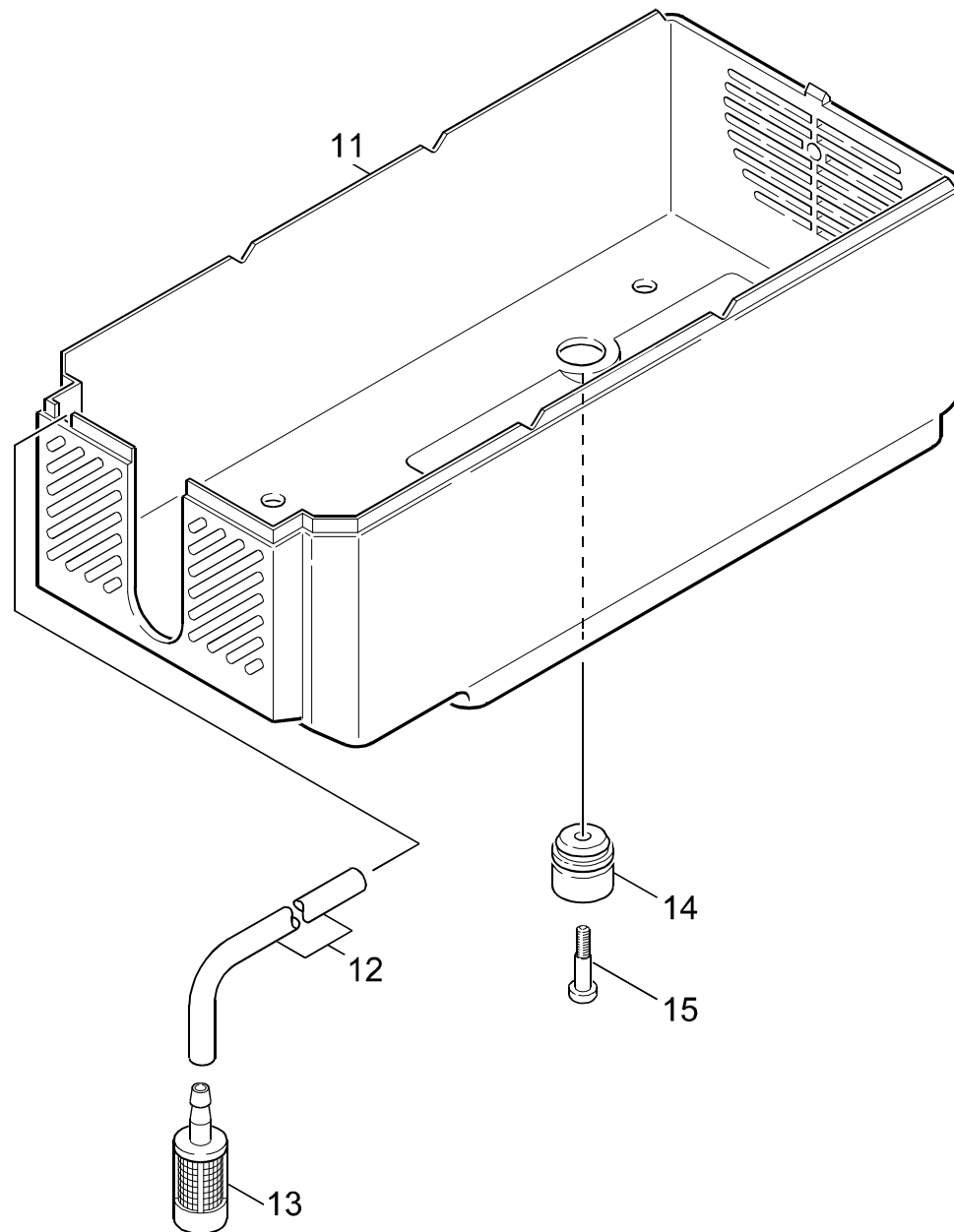
| POS. | BENNENUNG                                     | TEILE-NR.   | STCK |
|------|---|-------------|------|
| ITM. | DESCRIPTION                                   | PART-NO.    | QTY. |
| POS. | DESIGNATION                                   | NO.PIECE    | NBR. |
| 1    | GUMMIRING / RUBBER RING / RONDELLE CAOUTCHOUC | 5.379-015.0 | 1    |
| 2    | SICHERUNGSLIP / SECURING CLIP / CLIP          | 6.343-170.0 | 1    |
| 3    | SCHRAUBE M 4X 8 / SCREW / VIS                 | 7.303-030.0 | 1    |
| 4    | KABEL STECKER GFCI / CABLE / CABLE            | 6.647-009.0 | 1    |
| 5    | SCHRAUBE 5,0X 20 / SCREW / VIS                | 6.303-125.0 | 6    |

"=> xxxxxx" = bis Werknummer / up to serial No. / jusqu' au No. de fabr. / "xxxxxx =>" = ab Werknummer / from serial No. / a partir du No. de fabr. /

GRUPPE: 1.3 UNTERTEIL  
GROUP: 1.3 BOTTOM  
GRUPPE: 1.3 PARTIE INFÉRIEURE

F1

K SPECIAL \*USA



Symbolbeschreibung siehe M16 / symbol description see M16 / désignation de système voir M16 /

GRUPPE: 1.3 UNTERTEIL  
GROUP: 1.3 BOTTOM  
GROUPE: 1.3 PARTIE INFERIEURE

G1

K SPECIAL \*USA

| POS. | BENNENUNG   | TEILE-NR.   | STCK |
|------|---|-------------|------|
| ITM. | DESCRIPTION   | PART-NO.    | QTY. |
| POS. | DESIGNATION   | NO.PIECE    | NBR. |
| 11   | UBS KAE.580 HAUBEN / CONVERSION KIT / KIT DE MODIFIC.<br><b>UMBAUSATZ VON HAUBENLAENGE 380MM AUF<br/>400MM/CONVERSION KIT FROM COVER WITH A LENGTH OF<br/>380MM TO 400MM/KIT DE MODIFICATION DE LA LONGEUR DU<br/>CAPOT DE 380MM A 400M</b> | 2.882-351.0 | 1    |
| 11   | HAUBE UNTERTEIL / COVER / CAPOT<br><b>FUER HAUBENLAENGE 400 MM/FOR COVER WITH A LENGTH<br/>OF 400 MM/POUR LA LONGEUR DU CAPOT AVEC 400 MM</b>   | 5.066-460.0 | 1    |
| 12   | SCHLAUCH DN 5 / HOSE / TUYAU FLEXIBLE<br><b>ALS METERWARE BESTELLEN/TO ORDER AS CUT<br/>GOODS/COMMANDE COMME MARCHANDISE AU METRE</b>   | 6.388-216.0 | 1    |
| 13   | FILTER MIT GEWICHT / FILTER / FILTRE  | 5.731-609.0 | 1    |
| 14   | AUFLAGER / SUPPORT / SUPPORT  | 5.057-034.0 | 3    |
| 15   | SCHRAUBE M5X28,5 / SCREW / VIS  | 6.303-084.0 | 3    |

"=> xxxxxx" = bis Werknummer / up to serial No. / jusqu' au No. de fabr. / "xxxxxx =>" = ab Werknummer / from serial No. / a partir du No. de fabr. /



GRUPPE: 2.0 PUMPENSATZ  
GROUP: 2.0 PUMP SET  
GRUPPE: 2.0 JEU (ENSEMBLE) DE POMPE

**A2**

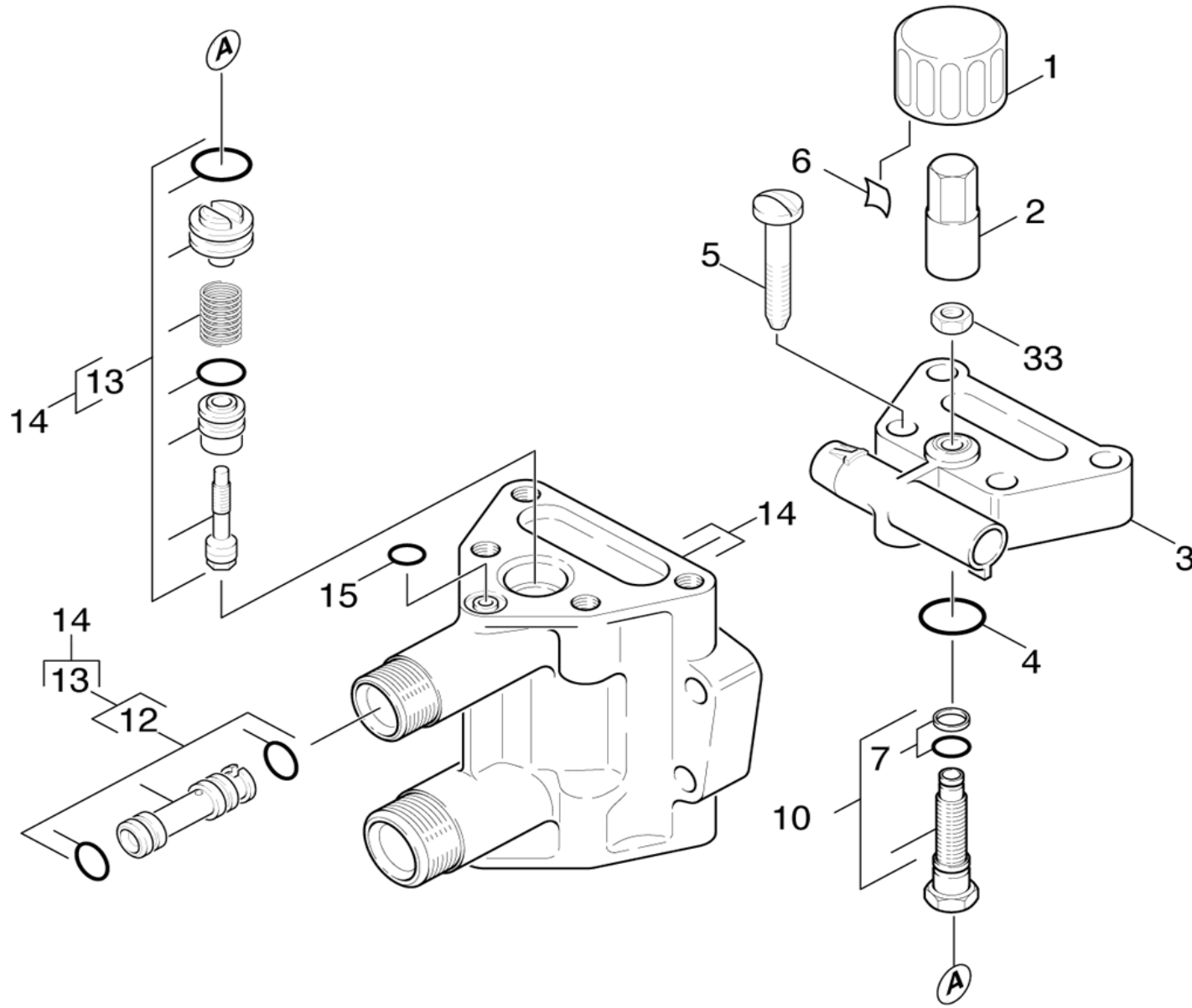
**K SPECIAL \*USA**

**GRUPPE: 2.0 PUMPENSATZ**  
**GROUP: 2.0 PUMP SET**  
**GRUPPE: 2.0 JEU (ENSEMBLE) DE POMPE**

GRUPPE: 2.1 ZYLINDERKOPF  
GROUP: 2.1 CYLINDER HEAD  
GRUPPE: 2.1 CULASSE

B2

K SPECIAL \*USA



updated 27 Jul 2009

Symbolbeschreibung siehe M16 / symbol description see M16 / designation de systeme voir M16

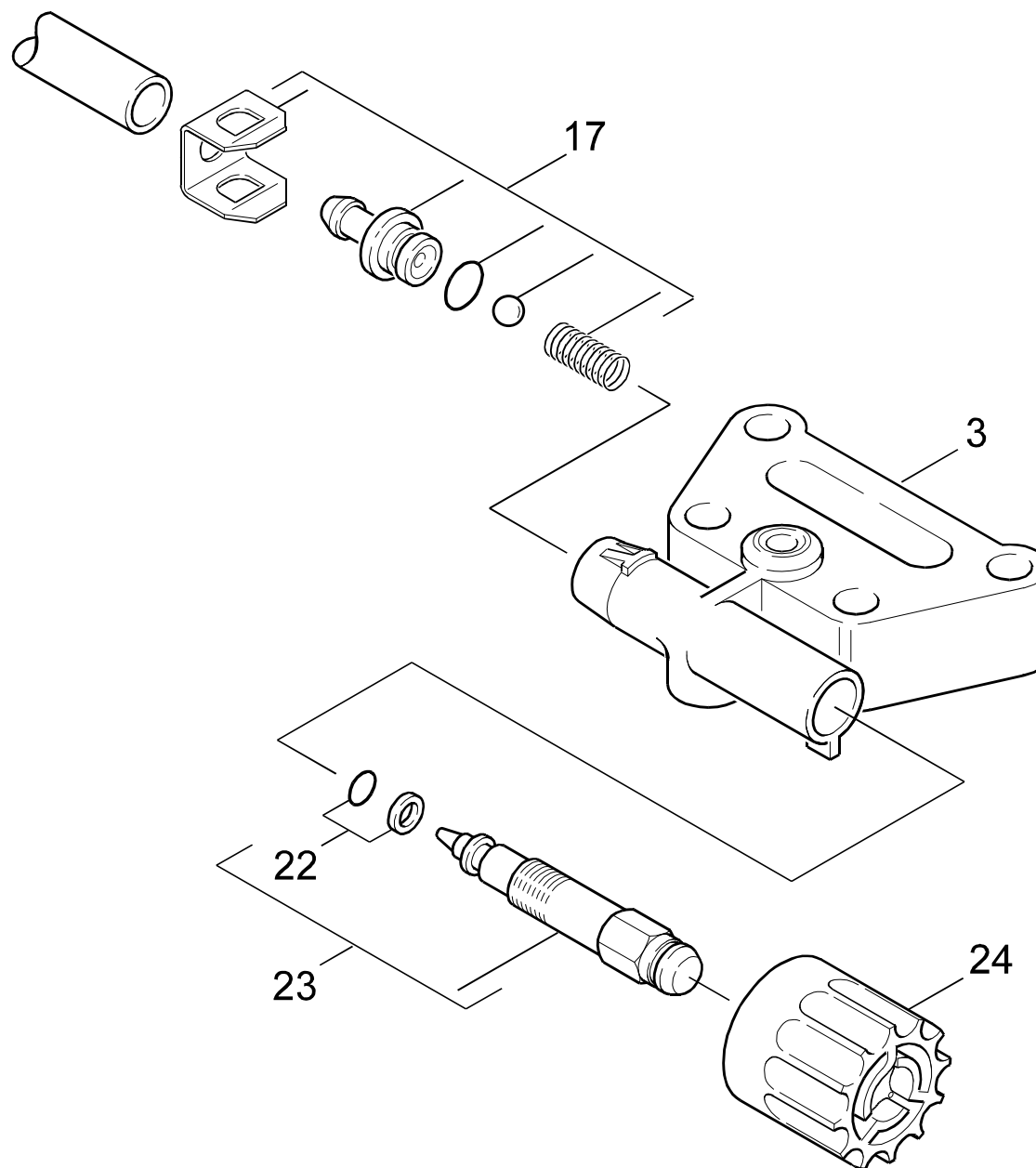
GRUPPE: 2.1 ZYLINDERKOPF  
GROUP: 2.1 CYLINDER HEAD  
GROUPE: 2.1 CULASSE

C2

K SPECIAL \*USA

| POS.<br>ITM.<br>POS. | BENNENUNG<br>DESCRIPTION<br>DESIGNATION                 | TEILE-NR.<br>PART-NO.<br>NO.PIECE | STCK<br>QTY.<br>NBR. |
|----------------------|---|-----------------------------------|----------------------|
| 1                    | GRIFF / HANDLE / POIGNEE                                | 5.321-194.0                       | 1                    |
| 2                    | MUTTER / NUT / ECROU                                    | 5.310-093.0                       | 1                    |
| 3                    | GEHAEUSEDECKEL / COVER / COUVERCLE                      | 5.060-353.0                       | 1                    |
| 4                    | O-RING 17,17X 1,78 / GASKET / BAQUE D'ETANCHEITE        | 6.362-666.0                       | 1                    |
| 5                    | SCHRAUBE CE M 8X 40 / SCREW / VIS                       | 6.303-144.0                       | 4                    |
| 6                    | SICHERUNGSFEDER / RETAINING SPRING / RESSORT<br>D'ARRET | 6.313-003.0                       | 1                    |
| 7                    | O-RING KPL. /1ST.R. / GASKET / BAQUE D'ETANCHEITE       | 6.362-719.0                       | 1                    |
| 10                   | SPINDEL / SPINDLE / PIVOT                               | 4.291-003.0                       | 1                    |
| 12                   | DUESENEINS. K.580°F / NOZZLE INSERT / INSERT DE BUSE    | 4.769-019.0                       | 1                    |
| 13                   | ERSATZTEILSET / SPARE PARTS KIT / KIT DE PIECES         | 2.883-153.0                       | 1                    |
| 14                   | ZYLINDERKOPF / CYLINDER HEAD / CULASSE                  | 4.550-161.0                       | 1                    |
| 15                   | O-RING 8 X 2 / GASKET / BAQUE D'ETANCHEITE              | 6.362-101.0                       | 1                    |
| 33                   | 6KT-MUTTER M 8X0,75 / HEXAGON NUT / ECROU HEXAGONAL     | 6.310-058.0                       | 1                    |
| 100                  | ERSATZTEILSET / SPARE PARTS KIT / KIT DE PIECES         | 2.883-205.0                       | 1                    |

"=> xxxxxx" = bis Werknummer / up to serial No. / jusqu' au No. de fabr. / "xxxxxx =>" = ab Werknummer / from serial No. / a partir du No. de fabr. /



Symbolbeschreibung siehe M16 / symbol description see M16 / désignation de système voir M16 /

GRUPPE: 2.2 CHEMIE  
GROUP: 2.2 CHEMISTRY  
GRUPPE: 2.2 CHIMIE

E2

K SPECIAL \*USA

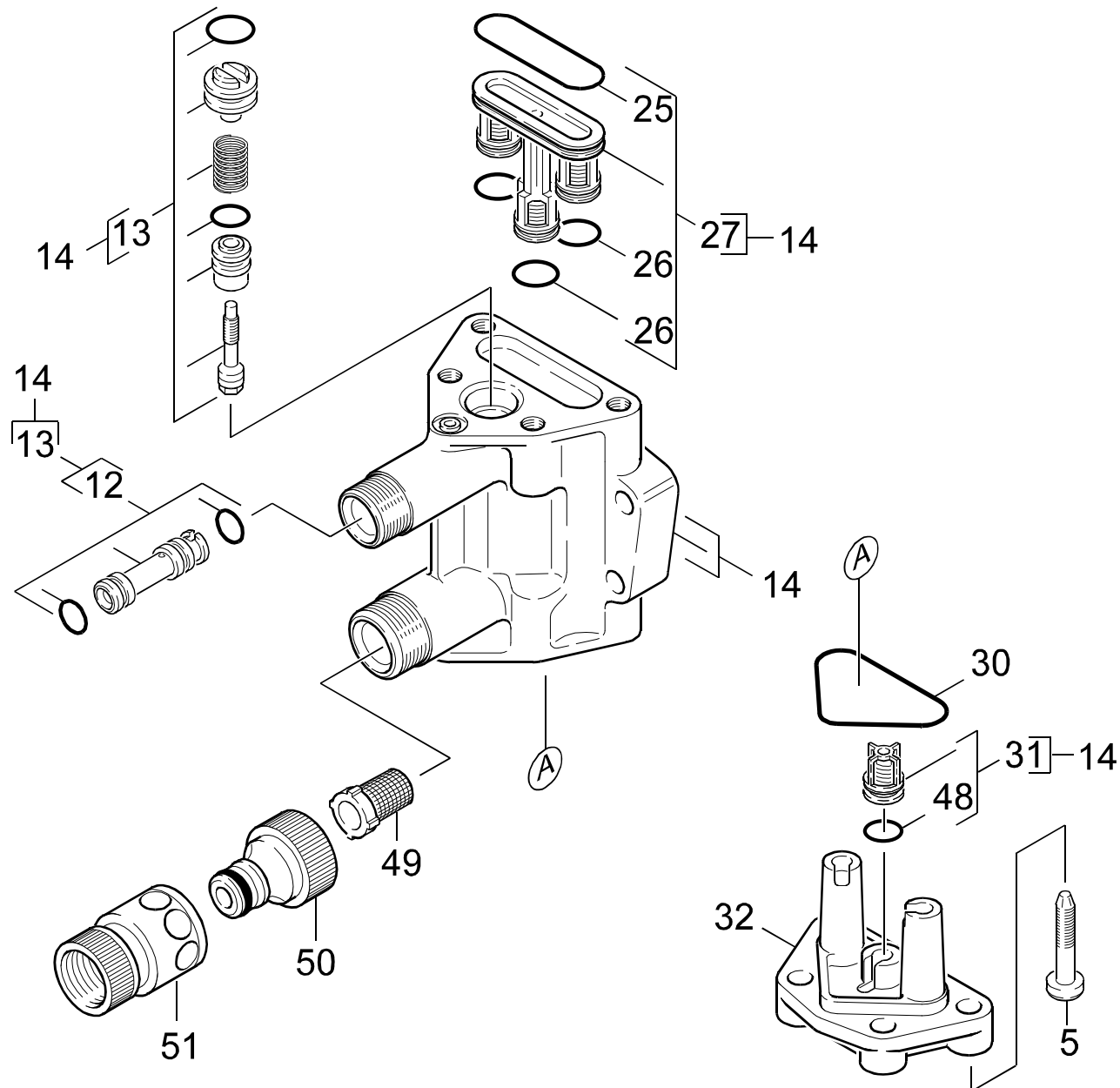
| POS. | BENNENUNG   | TEILE-NR.   | STCK |
|------|---|-------------|------|
| ITM. | DESCRIPTION                                       | PART-NO.    | QTY. |
| POS. | DESIGNATION                                       | NO.PIECE    | NBR. |
| 3    | GEHAEUSEDECKEL / COVER / COUVERCLE                | 5.060-353.0 | 1    |
| 17   | ERSATZTEILSET / SPARE PARTS KIT / KIT DE PIECES   | 2.883-158.0 | 1    |
| 22   | O-RING KPL./1ST.-R. / GASKET / BAQUE D'ETANCHEITE | 6.362-368.0 | 1    |
| 23   | SPINDEL / SPINDLE / PIVOT                         | 4.291-004.0 | 1    |
| 24   | GRIFF / HANDLE / POIGNEE                          | 5.321-305.0 | 1    |

"=> xxxxxx" = bis Werknummer / up to serial No. / jusqu' au No. de fabr. / "xxxxxx =>" = ab Werknummer / from serial No. / a partir du No. de fabr. /

GRUPPE: 2.3 VENTILE  
GROUP: 2.3 VALVES  
GRUPPE: 2.3 SOUPAPES

F2

K SPECIAL \*USA



Symbolbeschreibung siehe M16 / symbol description see M16 / désignation de système voir M16 /

GRUPPE: 2.3 VENTILE  
GROUP: 2.3 VALVES  
GROUPE: 2.3 SOUPAPES

**G2**

**K SPECIAL \*USA**

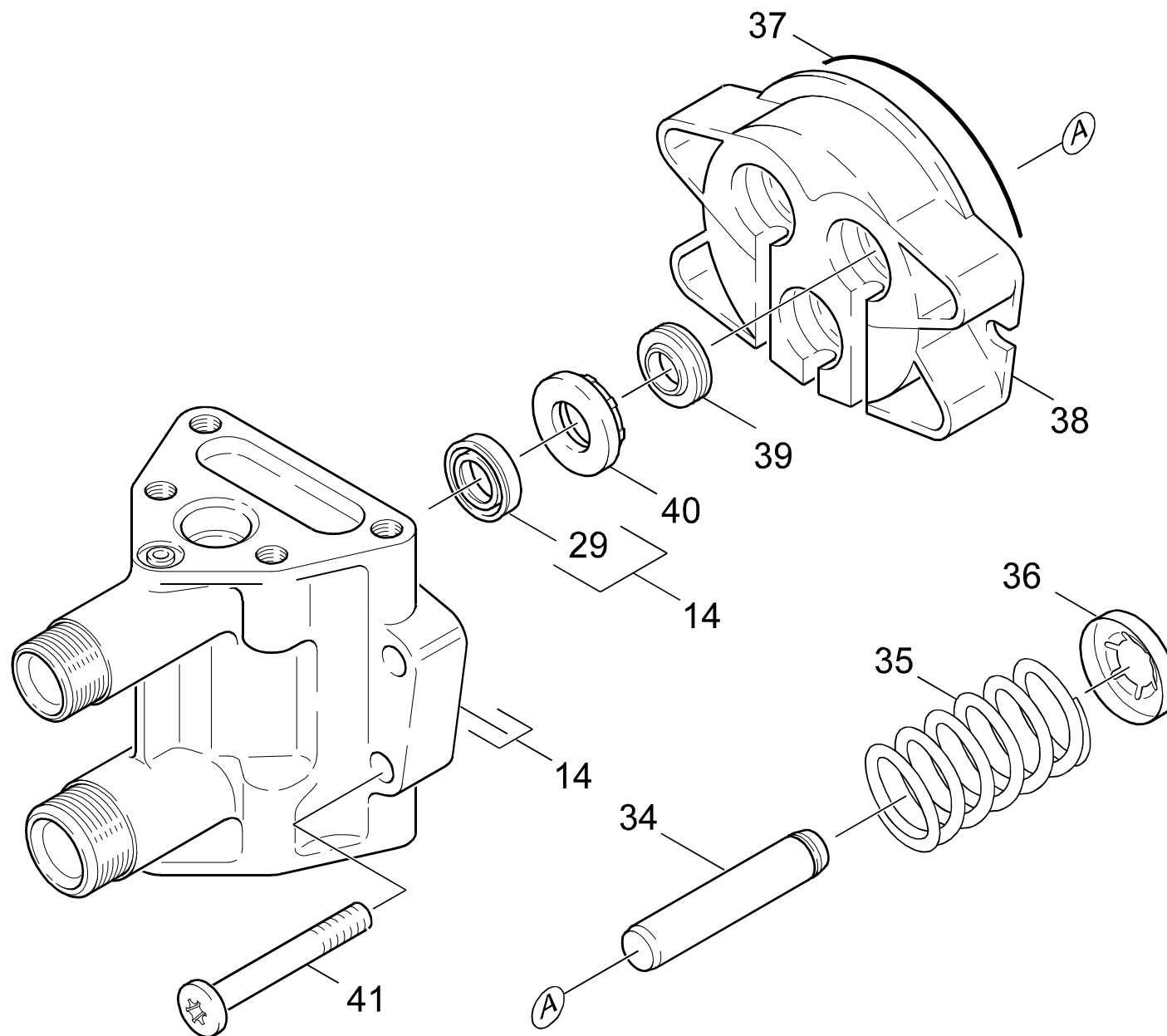
| POS.<br>ITM.<br>POS. | BENNENUNG<br>DESCRIPTION<br>DESIGNATION                | TEILE-NR.<br>PART-NO.<br>NO.PIECE | STCK<br>QTY.<br>NBR. |
|----------------------|--|-----------------------------------|----------------------|
| 5                    | SCHRAUBE CE M 8X 40 / SCREW / VIS                      | 6.303-144.0                       | 4                    |
| 12                   | DUESENEINS. K.580°F / NOZZLE INSERT / INSERT DE BUSE   | 4.769-019.0                       | 1                    |
| 13                   | ERSATZTEILSET / SPARE PARTS KIT / KIT DE PIECES        | 2.883-153.0                       | 1                    |
| 25                   | O-RING 31,0 X 2,5 / GASKET / BAQUE D'ETANCHEITE        | 6.362-798.0                       | 1                    |
| 26                   | O-RING 10 X 2,2 / GASKET / BAQUE D'ETANCHEITE          | 6.362-077.0                       | 3                    |
| 27                   | DRUCKVENTIL / PRESSURE VALVE / SOUPAPE                 | 4.580-196.0                       | 1                    |
| 30                   | O-RING 40,0 X 2,0 / GASKET / BAQUE D'ETANCHEITE        | 6.362-216.0                       | 1                    |
| 31                   | SAUGVENTIL / VALVE / SOUPAPE                           | 4.580-205.0                       | 3                    |
| 32                   | GEHAEUSE SAUGDECKEL / HOUSING / BOITIER                | 5.091-867.0                       | 1                    |
| 48                   | O-RING 10,0 X 2,5 / GASKET / BAQUE D'ETANCHEITE        | 6.362-728.0                       | 3                    |
| 49                   | SIEB / STRAINER / CREPINE                              | 6.414-384.0                       | 1                    |
| 50                   | ANSCHLUSS 3/4" / CONNECTION / RACCORD                  | 6.389-870.0                       | 1                    |
| 51                   | SCHLAUCHKUPPLUNG / HOSE COUPLING / RACCORD<br>POMPIERS | 6.389-716.0                       | 1                    |
| 100                  | ERSATZTEILSET / SPARE PARTS KIT / KIT DE PIECES        | 2.883-205.0                       | 1                    |

"=> xxxxxx" = bis Werknummer / up to serial No. / jusqu' au No. de fabr. / "xxxxxx =>" = ab Werknummer / from serial No. / a partir du No. de fabr. /

GRUPPE: 2.4 KOLBEN  
GROUP: 2.4 PISTON  
GRUPPE: 2.4 PISTON

H2

K SPECIAL \*USA



Symbolbeschreibung siehe M16 / symbol description see M16 / désignation de système voir M16 /



GRUPPE: 2.4 KOLBEN  
GROUP: 2.4 PISTON  
GRUPPE: 2.4 PISTON

I2

K SPECIAL \*USA

| POS. | BENNENUNG  | TEILE-NR.   | STCK |
|------|--|-------------|------|
| ITM. | DESCRIPTION  | PART-NO.    | QTY. |
| POS. | DESIGNATION  | NO.PIECE    | NBR. |
| 14   | ZYLINDERKOPF / CYLINDER HEAD / CULASSE                   | 4.550-161.0 | 1    |
| 29   | NUTRING / GROOVED RING / JOINT A LEVRES                  | 6.365-341.0 | 3    |
| 34   | KOLBEN / PISTON / PISTON                                 | 5.553-250.0 | 3    |
| 35   | SCHRAUBENFEDER / HELICAL SPRING / RESSORT<br>CYLINDRIQUE | 5.332-251.0 | 3    |
| 36   | FORMTEIL / MOULDED PART / PREFORME                       | 5.030-625.0 | 3    |
| 37   | O-RING 80,0 X 3,0 / GASKET / BAQUE D'ETANCHEITE          | 6.362-471.0 | 1    |
| 38   | GEHAEUSE GERADSCH. / HOUSING / BOITIER                   | 5.060-349.0 | 1    |
| 39   | NUTRING 14X22X5/7 / GROOVED RING / JOINT A LEVRES        | 6.365-340.0 | 3    |
| 40   | SCHEIBE / WASHER / RONDELLE                              | 5.115-471.0 | 3    |
| 41   | SCHRAUBE M 8X 60 / SCREW / VIS                           | 7.306-148.0 | 4    |

"=> xxxxxx" = bis Werknummer / up to serial No. / jusqu' au No. de fabr. / "xxxxxx =>" = ab Werknummer / from serial No. / a partir du No. de fabr. /

GRUPPE: 3.0 MOTOR  
GROUP: 3.0 MOTOR  
GRUPPE: 3.0 MOTEUR

**A3**

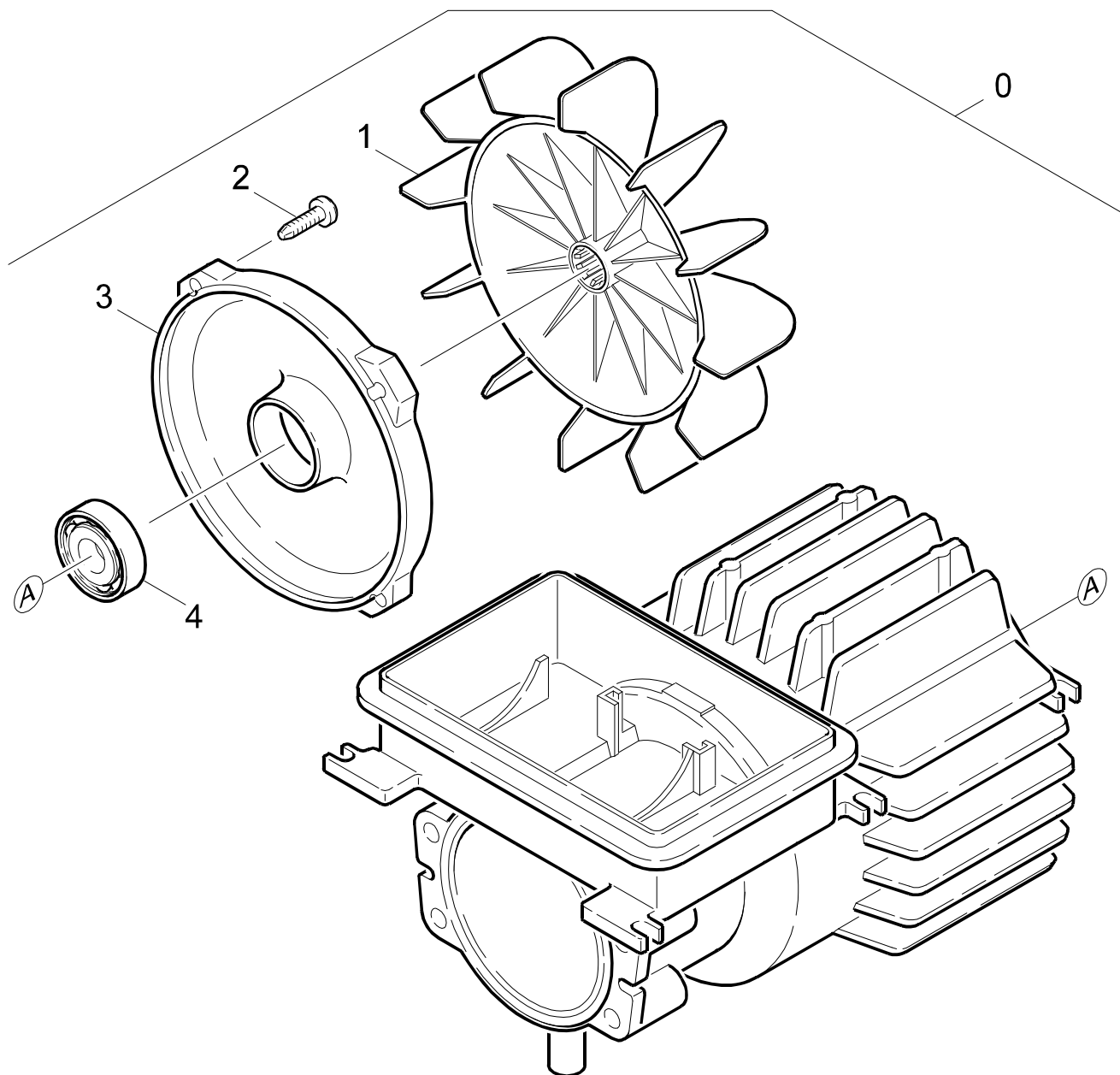
**K SPECIAL \*USA**

**GRUPPE: 3.0 MOTOR**  
**GROUP: 3.0 MOTOR**  
**GRUPPE: 3.0 MOTEUR**

GRUPPE: 3.1 EINZELTEILE  
GROUP: 3.1 PIECE PARTS  
GRUPPE: 3.1 PIÈCES CONSTITUANTES

B3

K SPECIAL \*USA



Symbolbeschreibung siehe M16 / symbol description see M16 / désignation de système voir M16 /

GRUPPE: 3.1 EINZELTEILE  
GROUP: 3.1 PIECE PARTS  
GROUPE: 3.1 PIECES CONSTITUANTES

C3

K SPECIAL \*USA

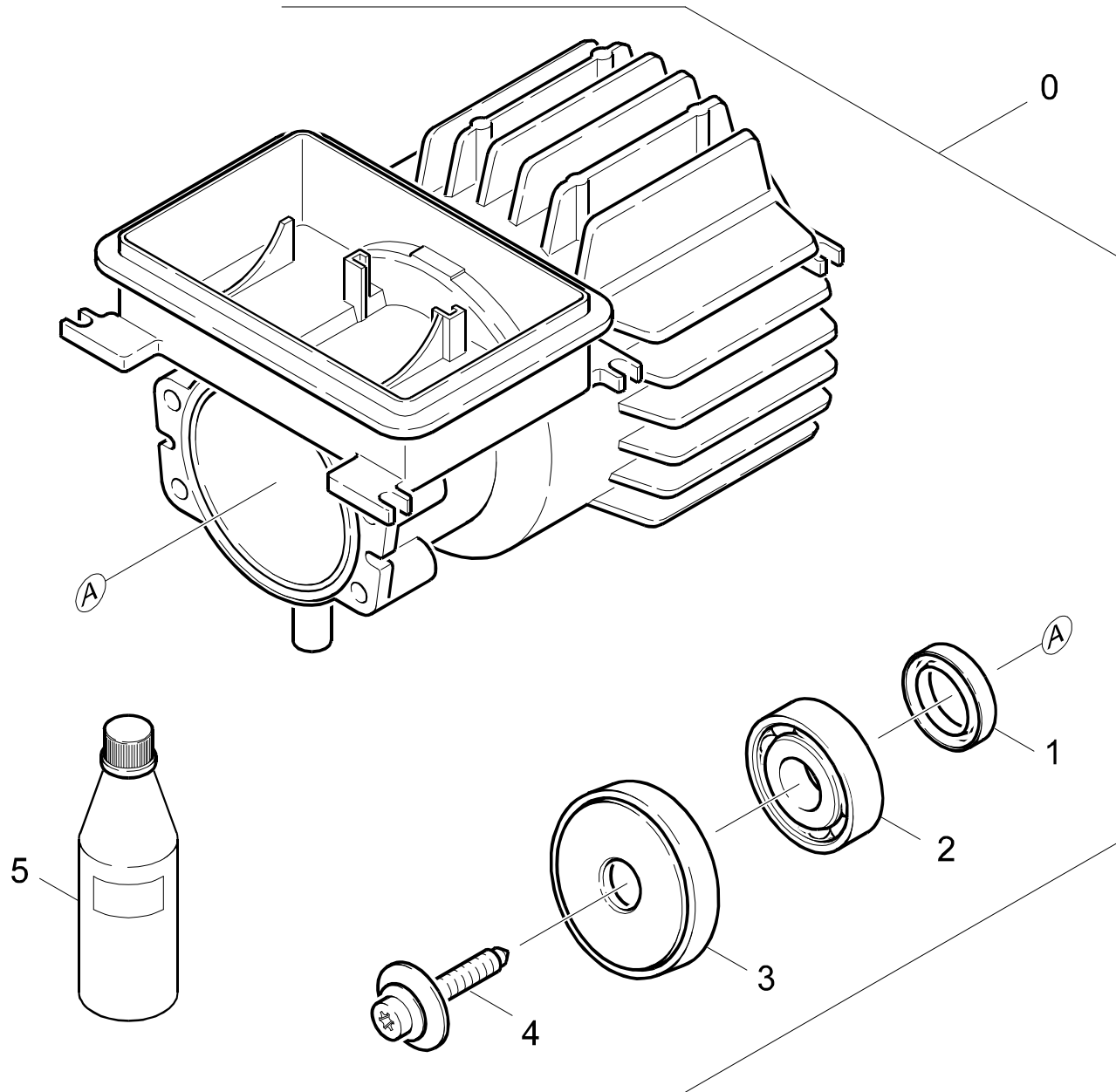
| POS.<br>ITM.<br>POS. | BENNENUNG<br>DESCRIPTION<br>DESIGNATION   | TEILE-NR.<br>PART-NO.<br>NO.PIECE | STCK<br>QTY.<br>NBR. |
|----------------------|---|-----------------------------------|----------------------|
| 0                    | MOTOR VOLLST. / MOTOR / MOTEUR<br><b>FUER HAUBENLAENGE 380 MM/FOR COVER WITH A LENGTH<br/>OF 380 MM/POUR LA LONGEUR DU CAPOT AVEC 380 MM</b>                  | 4.623-132.0                       | 1                    |
| 0                    | MOTOR KPL. / MOTOR / MOTEUR<br><b>FUER HAUBENLAENGE 400 MM/FOR COVER WITH A LENGTH<br/>OF 400 MM/POUR LA LONGEUR DU CAPOT AVEC 400 MM</b>                     | 4.623-194.0                       | 1                    |
| 1                    | LAUFRAD / FAN WHEEL / ROUE DE VENTILATEUR<br><b>FUER HAUBENLAENGE 380 MM/FOR COVER WITH A LENGTH<br/>OF 380 MM/POUR LA LONGEUR DU CAPOT AVEC 380 MM</b>       | 5.600-026.0                       | 1                    |
| 1                    | LUEFTERRAD / BLOWER WHEEL / ROUE DE VENTILATEUR<br><b>FUER HAUBENLAENGE 400 MM/FOR COVER WITH A LENGTH<br/>OF 400 MM/POUR LA LONGEUR DU CAPOT AVEC 400 MM</b> | 5.600-033.0                       | 1                    |
| 2                    | SCHNEIDSCHR. M5X 20 / SELF-TAPPING SCREW / VIS<br>AUTOTARAUEUSE   | 6.303-076.0                       | 4                    |
| 3                    | DECKEL B-LAGER / COVER / COUVERCLE  | 5.063-420.0                       | 1                    |
| 4                    | KUGELLAGER 6002 2RS / BALL BEARING / ROULEMENT A<br>BILLE   | 7.401-154.0                       | 1                    |

"=> xxxxxx" = bis Werknummer / up to serial No. / jusqu' au No. de fabr. / "xxxxxx =>" = ab Werknummer / from serial No. / a partir du No. de fabr. /

GRUPPE: 3.2 ANTRIEB  
GROUP: 3.2 GEAR  
GRUPPE: 3.2 ENTRAINEMENT

D3

K SPECIAL \*USA



Symbolbeschreibung siehe M16 / symbol description see M16 / désignation de système voir M16 /

GRUPPE: 3.2 ANTRIEB  
GROUP: 3.2 GEAR  
GROUPE: 3.2 ENTRAINEMENT

E3

K SPECIAL \*USA

| POS. | BENNENUNG  | TEILE-NR.   | STCK |
|------|--|-------------|------|
| ITM. | DESCRIPTION  | PART-NO.    | QTY. |
| POS. | DESIGNATION  | NO.PIECE    | NBR. |
| 0    | MOTOR VOLLST. / MOTOR / MOTEUR<br><b>FUER HAUBENLAENGE 380 MM/FOR COVER WITH A LENGTH OF 380 MM/POUR LA LONGEUR DU CAPOT AVEC 380 MM</b> | 4.623-132.0 | 1    |
| 0    | MOTOR KPL. / MOTOR / MOTEUR<br><b>FUER HAUBENLAENGE 400 MM/FOR COVER WITH A LENGTH OF 400 MM/POUR LA LONGEUR DU CAPOT AVEC 400 MM</b>    | 4.623-194.0 | 1    |
| 1    | RWDR A26 X 37 X 7 / ROTARY SHAFT SEAL / JOINT (ARBRE)  | 7.367-018.0 | 1    |
| 2    | KUGELLAGER 6304 / BALL BEARING / ROULEMENT A BILLE   | 7.401-155.0 | 1    |
| 3    | TAUMELSCHIEBE / SWASH PLATE / DISQUE EN NUTATION   | 6.401-197.0 | 1    |
| 4    | ZYL.SCHR. M 6X 19 / CHEESE HEAD SCREW / VIS A TETE CYLINDR.  | 6.304-048.0 | 1    |
| 5    | MOTORENOEL 1L / ENGINE OIL / HUILE (MOTEUR)  | 6.288-050.0 | 1    |

"=> xxxxxx" = bis Werknummer / up to serial No. / jusqu' au No. de fabr. / "xxxxxx =>" = ab Werknummer / from serial No. / a partir du No. de fabr. /

GRUPPE: 4.0 ZUBEHOER  
GROUP: 4.0 ACCESSORIES  
GRUPPE: 4.0 ACCESSOIRES

**A4**

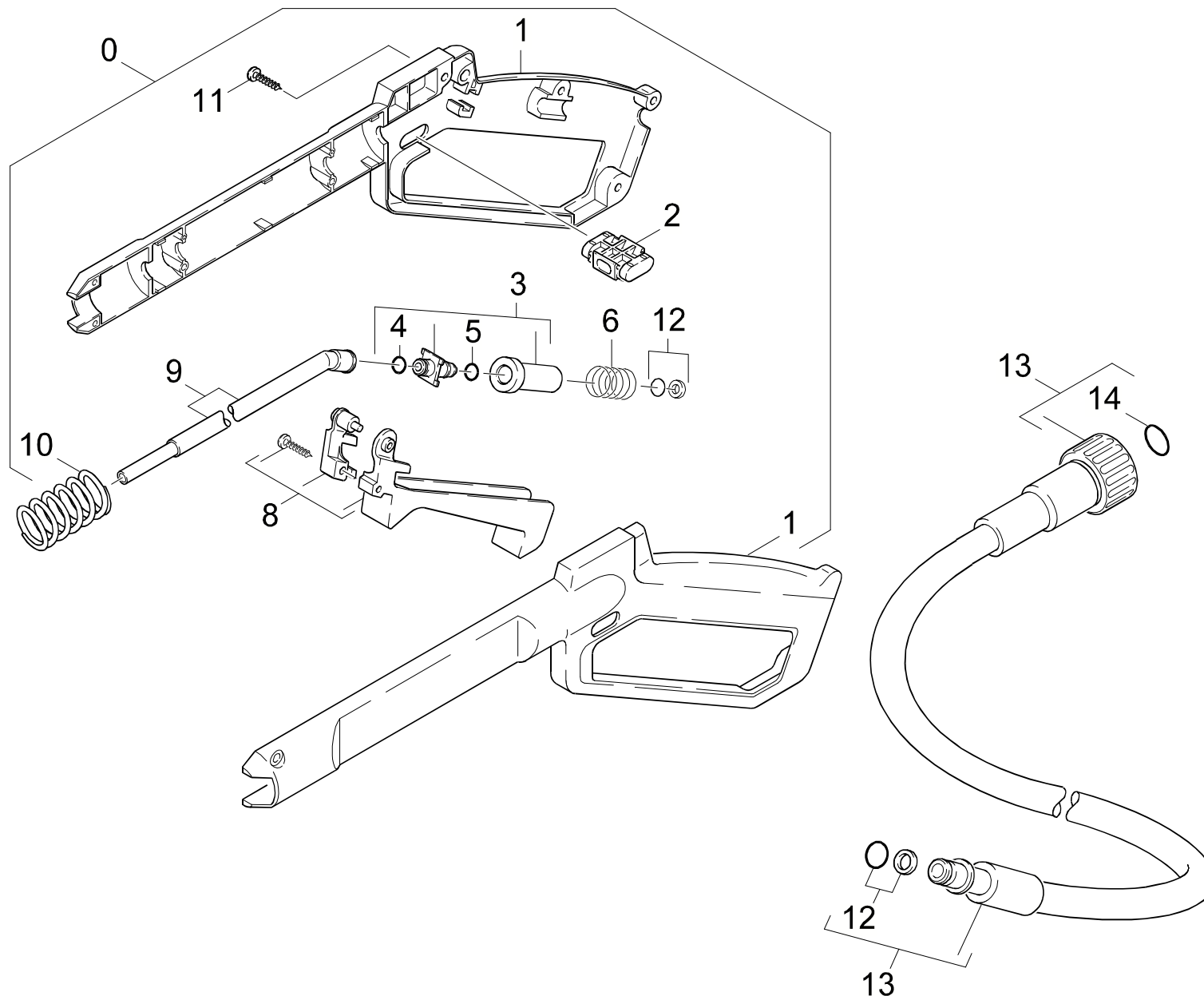
**K SPECIAL \*USA**

**GRUPPE: 4.0 ZUBEHOER**  
**GROUP: 4.0 ACCESSORIES**  
**GRUPPE: 4.0 ACCESSOIRES**

GRUPPE: 4.1 HANDSPRITZPISTOLE  
GROUP: 4.1 TRIGGER GUN  
GRUPPE: 4.1 POIGNEE PISTOLET

**B4**

**K SPECIAL \*USA**



Symbolbeschreibung siehe M16 / symbol description see M16 / désignation de système voir M16 /



GRUPPE: 4.1 HANDSPRITZPISTOLE  
GROUP: 4.1 TRIGGER GUN  
GROUPE: 4.1 POIGNEE PISTOLET

C4

K SPECIAL \*USA

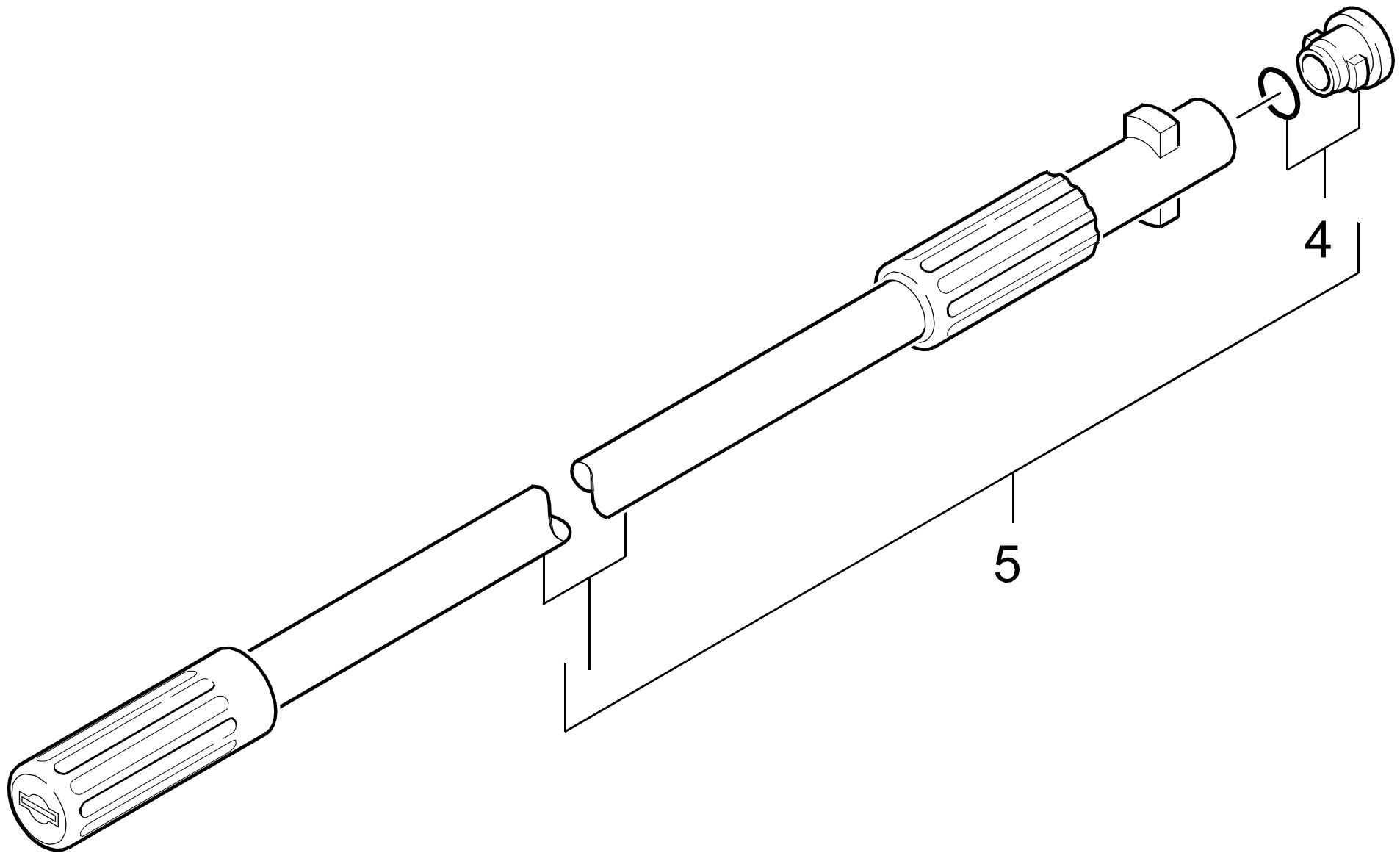
| POS.<br>ITM.<br>POS. | BENNENUNG<br>DESCRIPTION<br>DESIGNATION                                | TEILE-NR.<br>PART-NO.<br>NO.PIECE | STCK<br>QTY.<br>NBR. |
|----------------------|--|-----------------------------------|----------------------|
| 0                    | HANDSPRITZPISTOLE / TRIGGER GUN / POIGNEE PISTOLET<br><b>VERSION 1</b> | 4.775-128.0                       | 1                    |
| 1                    | HANDSPRITZPISTOLE / TRIGGER GUN / POIGNEE PISTOLET                     | 4.775-268.0                       | 1                    |
| 2                    | FORMTEIL / MOULDED PART / PREFORME                                     | 5.030-620.0                       | 1                    |
| 3                    | VENTILTeller KPL. / VALVE DISC / TETE DE SOUPAPE                       | 4.582-008.0                       | 1                    |
| 4                    | O-RING 7,65X 1,78 / GASKET / BAQUE D'ETANCHEITE                        | 6.362-182.0                       | 1                    |
| 5                    | O-RING 7 X 1,5 / GASKET / BAQUE D'ETANCHEITE                           | 6.362-658.0                       | 1                    |
| 6                    | SCHRAUBENFEDER / HELICAL SPRING / RESSORT<br>CYLINDRIQUE               | 5.332-248.0                       | 1                    |
| 8                    | ERSATZTEILSET / SPARE PARTS KIT / KIT DE PIECES                        | 2.883-109.0                       | 1                    |
| 9                    | ROHR / PIPE / TUYAU  | 5.028-097.0                       | 1                    |
| 10                   | SCHRAUBENFEDER / HELICAL SPRING / RESSORT<br>CYLINDRIQUE               | 5.332-247.0                       | 1                    |
| 11                   | LINSENSCHR. 4,2X 13 / OVAL HEAD SCREW / VIS A TETE<br>BOMBEE           | 6.303-122.0                       | 6                    |
| 12                   | O-RING KPL./1ST.-R. / GASKET / BAQUE D'ETANCHEITE                      | 6.363-115.0                       | 1                    |
| 13                   | HD-SCHLAUCH 15MPA / HIGH PRESSURE HOSE / TUYAU<br>FLEXIBLE HAUTE PRE.  | 6.389-555.0                       | 1                    |
| 14                   | ERSATZTEILSET / SPARE PARTS KIT / KIT DE PIECES                        | 2.880-296.0                       | 1                    |

"=> xxxxxx" = bis Werknummer / up to serial No. / jusqu' au No. de fabr. / "xxxxxx =>" = ab Werknummer / from serial No. / a partir du No. de fabr. /

GRUPPE: 4.2 STRAHLROHR  
GROUP: 4.2 JET PIPE  
GRUPPE: 4.2 LANCE D'INCENDIE

D4

K SPECIAL \*USA



Symbolbeschreibung siehe M16 / symbol description see M16 / désignation de système voir M16 /

GRUPPE: 4.2 STRAHLROHR  
GROUP: 4.2 JET PIPE  
GRUPPE: 4.2 LANCE D'INCENDIE

**E4**

**K SPECIAL \*USA**

| POS. | BENNENUNG   | TEILE-NR. | STCK |
|------|-------------|-----------|------|
| ITM. | DESCRIPTION | PART-NO.  | QTY. |
| POS. | DESIGNATION | NO.PIECE  | NBR. |

|   |  |             |   |
|---|--|-------------|---|
| 4 | ERSATZTEILSET / SPARE PARTS KIT / KIT DE PIECES  | 2.883-111.0 | 1 |
| 5 | STRAHLROHR M.D.037 / JET PIPE / LANCE D'INCENDIE | 4.760-241.0 | 1 |

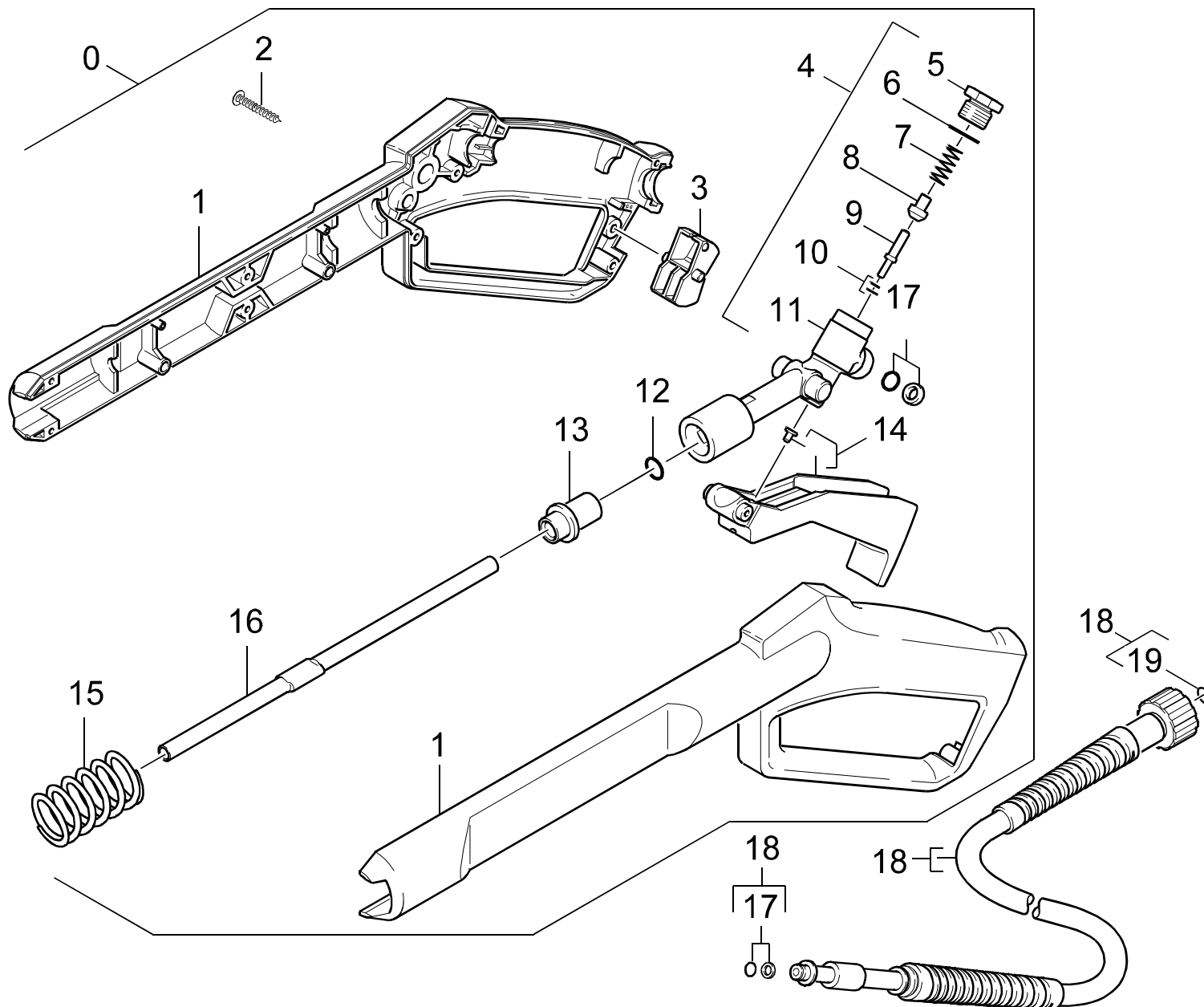
**VERSION 1**

"=> xxxxxx" = bis Werknummer / up to serial No. / jusqu' au No. de fabr. / "xxxxxx =>" = ab Werknummer / from serial No. / a partir du No. de fabr. /

GRUPPE: 4.3 HANDSPRITZPISTOLE  
 GROUP: 4.3 TRIGGER GUN  
 GROUPE: 4.3 POIGNEE PISTOLET

F4

K SPECIAL \*USA



Symbolbeschreibung siehe M16 / symbol description see M16 / désignation de système voir M16 /

GRUPPE: 4.3 HANDSPRITZPISTOLE  
GROUP: 4.3 TRIGGER GUN  
GROUPE: 4.3 POIGNEE PISTOLET

G4

K SPECIAL \*USA

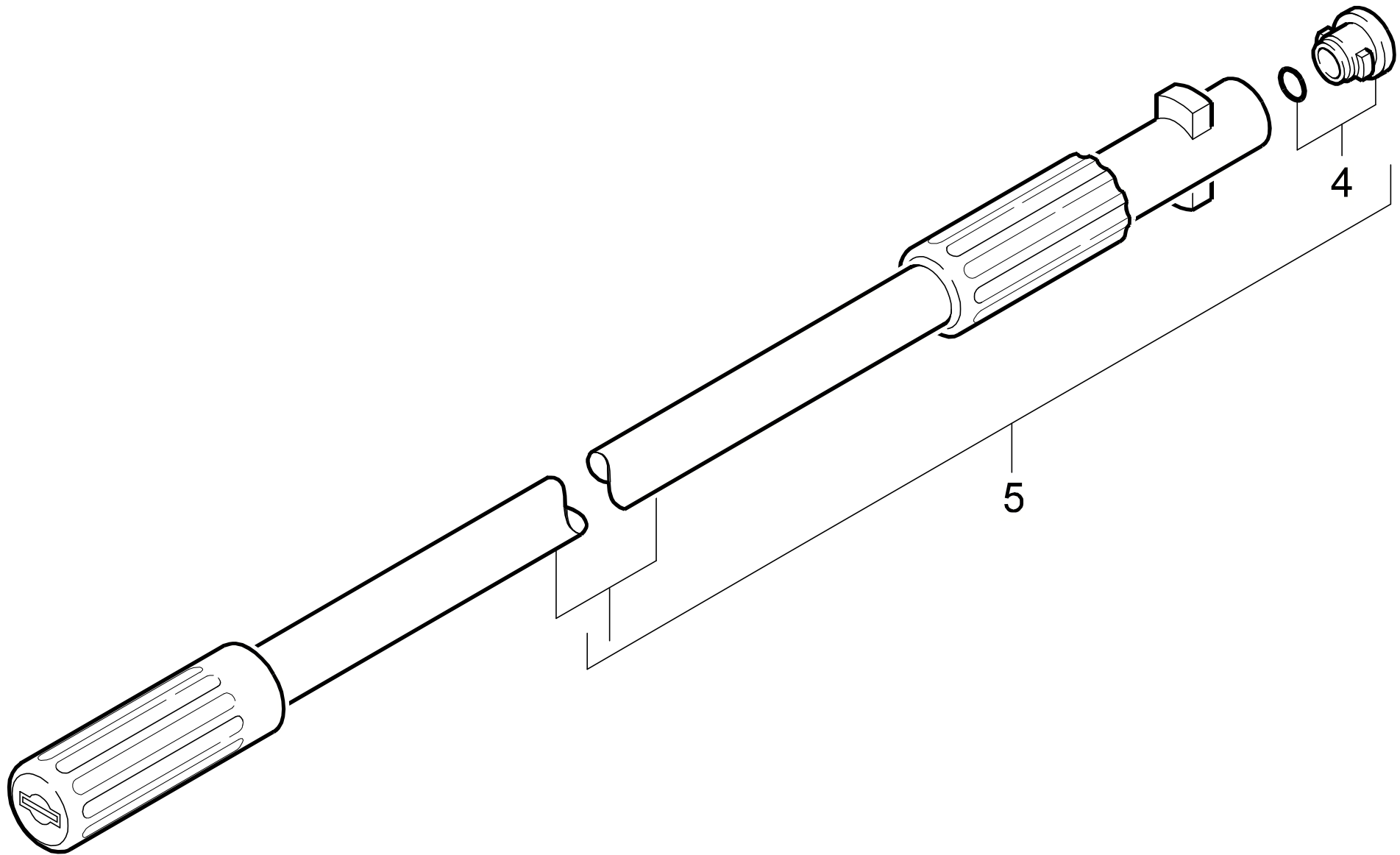
| POS.<br>ITM.<br>POS. | BENNENUNG<br>DESCRIPTION<br>DESIGNATION                            | TEILE-NR.<br>PART-NO.<br>NO.PIECE | STCK<br>QTY.<br>NBR. |
|----------------------|--|-----------------------------------|----------------------|
| 0                    | PISTOLE 96 ERSATZ / PISTOL / PISTOLET                              | 4.775-264.0                       | 1                    |
| 1                    | GRIFFPAAR / HANDLES / BRANCHES POIGNEE                             | 5.321-419.0                       | 1                    |
| 2                    | LINSENSCHR. 4,2X 13 / OVAL HEAD SCREW / VIS A TETE BOMBEE          | 6.303-122.0                       | 9                    |
| 3                    | HEBEL / LEVER / LEVIER   | 5.481-052.0                       | 1                    |
| 4                    | KNOTENSTUECK / MANIFOLD / FERRURE NODALE                           | 4.427-150.0                       | 1                    |
| 5                    | VERSCHLUSSCHRAUBE / CLOSING SCREW / VIS DE FERMETURE               | 5.411-054.0                       | 1                    |
| 6                    | O-RING 12,42X 1,78 / GASKET / BAQUE D'ETANCHEITE                   | 6.362-480.0                       | 1                    |
| 7                    | SCHRAUBENFEDER / HELICAL SPRING / RESSORT CYLINDRIQUE              | 5.332-157.0                       | 1                    |
| 8                    | VENTILTeller / VALVE DISC / TETE DE SOUPAPE                        | 5.582-058.0                       | 1                    |
| 9                    | STANGE / BAR / TIGE  | 5.107-067.0                       | 1                    |
| 10                   | O-RING 2,8 X 1,6 / GASKET / BAQUE D'ETANCHEITE                     | 7.362-502.0                       | 1                    |
| 11                   | KNOTENSTUECK / MANIFOLD / FERRURE NODALE                           | 5.427-166.0                       | 1                    |
| 12                   | O-RING 7,8 X 3,6 / GASKET / BAQUE D'ETANCHEITE                     | 6.362-802.0                       | 1                    |
| 13                   | HUELSE / SLEEVE / DOUILLE  | 5.110-477.0                       | 1                    |
| 14                   | HEBEL / LEVER / LEVIER   | 4.481-035.0                       | 1                    |
| 15                   | SCHRAUBENFEDER / HELICAL SPRING / RESSORT CYLINDRIQUE              | 5.332-247.0                       | 1                    |
| 16                   | ROHR / PIPE / TUYAU  | 5.028-486.0                       | 1                    |
| 17                   | O-RING KPL./1ST.-R. / GASKET / BAQUE D'ETANCHEITE                  | 6.363-115.0                       | 1                    |
| 18                   | HD-SCHLAUCH 15MPA / HIGH PRESSURE HOSE / TUYAU FLEXIBLE HAUTE PRE. | 6.389-555.0                       | 1                    |
| 19                   | ERSATZTEILSET / SPARE PARTS KIT / KIT DE PIECES                    | 2.880-296.0                       | 1                    |

"=> xxxxxx" = bis Werknummer / up to serial No. / jusqu' au No. de fabr. / "xxxxxx =>" = ab Werknummer / from serial No. / a partir du No. de fabr. /

GRUPPE: 4.4 STRAHLROHR  
GROUP: 4.4 JET PIPE  
GRUPPE: 4.4 LANCE D'INCENDIE

H4

K SPECIAL \*USA



Symbolbeschreibung siehe M16 / symbol description see M16 / désignation de système voir M16 /

GRUPPE: 4.4 STRAHLROHR  
GROUP: 4.4 JET PIPE  
GRUPPE: 4.4 LANCE D'INCENDIE

**I4**

**K SPECIAL \*USA**

| POS. | BENNENUNG   | TEILE-NR. | STCK |
|------|-------------|-----------|------|
| ITM. | DESCRIPTION | PART-NO.  | QTY. |
| POS. | DESIGNATION | NO.PIECE  | NBR. |

|   |  |             |   |
|---|--|-------------|---|
| 4 | ERSATZTEILSET / SPARE PARTS KIT / KIT DE PIECES  | 2.883-111.0 | 1 |
| 5 | STRAHLROHR M.D.037 / JET PIPE / LANCE D'INCENDIE | 4.760-241.0 | 1 |

**VERSION 2**

"=> xxxxxx" = bis Werknummer / up to serial No. / jusqu' au No. de fabr. / "xxxxxx =>" = ab Werknummer / from serial No. / a partir du No. de fabr. /

## Bestellhinweis

Bei Ihrer Bestellung sind unbedingt anzugeben :

| 1.   | 2.   | 3.                                      | 4.                                 | 5.                                 |
|--|--|---|------------------------------------|------------------------------------|
| Gerätetyp<br>Machine model<br>Type d'appareils | Herstell-Nr.<br>Serial-No.<br>No. de série | Benennung<br>Description<br>Désignation | Teile-Nr.<br>Part No.<br>Référence | Stückzahl<br>Piece No.<br>Quantité |



**siehe Typenschild  
see name-plate  
voir plaque signalétique**



**siehe Ersatzteilliste  
see spare parts list  
voir liste des pièces de rechange**

- Die Ersatzteile, welche als Meterware geliefert werden, sind auf Einbaulänge selbst zu kürzen. Ebenso sind die Stückzahlen in den jeweiligen Gruppen als Mindestbestellmengen = 1m angegeben und können je nach Bedarf auf weitere volle Meterzahlen erhöht und bestellt werden.
- Spare Parts which are delivered as cut goods have to be shortened to installation length. The quotation of quantity in each group refers to the minimum order quantity = 1m and may be ordered and raised to further full metre-values according to demand
- Les pièces de rechange qui sont livrées comme marchandise au mètre sont à raccourcir selon la longueur d'installation. Les indications de quantité dans chaque group se réfèrent à des valeurs de mètre de plus.
- Diese Ersatzteilliste erscheint in gedruckter Form sowie als Mikrofiche. Bei Querverweisen bezieht sich die Angabe "Seitenzahl" auf die gedruckte Ersatzteilliste und die Angabe "Bildtafel" auf die Mikrofichenausgabe.
- This spare parts list is published both in printed form and as a microfiche. In the cross-references, "page number" refers to the printed spare parts list and "display table" to the microfilm edition.
- Cette liste de pièces de rechange est aussi bien imprimée que publiée sous forme de microfiche. Les indications transversales renvoient au "numéro de page" sur la liste imprimée des pièces de rechange et à la "planche" sur la microfiche.

Bitte beachten Sie, daß der Teileumfang dieser Ersatzteilliste nicht unbedingt dem Lieferumfang Ihres Gerätes entspricht.

For your information: It could be that certain parts quoted in this spare parts list were not included with the machine delivery.

Pour votre information: il se peut que certaines pièces détachées mentionnées sur la liste ne vous aient pas été livrées avec l'appareil.

Die in dieser Ersatzteilliste nicht aufgeführten Einzelteile, bestellen Sie bitte direkt beim Vertragskundendienst des jeweiligen Herstellers.

Please order the individual parts not included in this assembly directly with the contract aftersales service of the manufacturer in question.

Veillez s'il vous plaît, commander les pièces détachées qui ne sont indiquées dans notre liste des pièces détachées, directement auprès du service après-vente des fabricants en question.

Bei Bestellung von lackierten Teilen, welche in der Ersatzteilliste nicht in verschiedenen Farben ausgewiesen sind, ist zusätzlich die Farbnummer oder Farbe mit anzugeben. Diese finden Sie auf dem Typenschild oder Farbschild Ihres Gerätes.

Upon ordering of varnished parts which are not mentioned in the spare parts list as parts with different colors, kindly additionally mention the number of the color. It can be seen on the type plate of the color plate of your machine.

Commandant des parts vernissés qui ne sont pas mentionnés comme parts avec une couleur différente dans la liste des pièces détachées, veuillez mentionner de plus le numéro de la couleur. Il se trouve sur la plaque signalétique ou la plaque de couleur de votre machine.

Auflistungen von Einzelteilen bei Ersatzteil - u. Pumpensets sind in der Reihe "16" einzusehen, bzw. direkt unter dem entsprechenden Set aufgelistet.

Listings of single parts upon spare parts kits and pump kits can be seen in row "16" or directly listed below the corresponding kit.  
Des établissements des pièces détachées en ce qui concerne les kits des pièces de rechange et les kits de pompes, peuvent être vus à la ligne "16" ou ils sont répertoriés directement au-dessous du jeu correspondant.

Technische Änderungen im Rahmen der Weiterentwicklung sowie das Recht der ausschließlichen Auswertung unseres geistigen Eigentums behalten wir uns vor. Vervielfältigung und Nachdruck nur mit Genehmigung und Urheberhinweis möglich.

We reserve the right to make technical changes in the course of development work and the right to make exclusive use of our intellectual property. This spare parts list may be duplicated or reprinted only with our approval and with acknowledgement of our copyright.

Nous nous réservons le droit de toutes modifications techniques dans le cadre du perfectionnement des mises au point ainsi que le droit de la mise en valeur exclusive de notre propriété intellectuelle. Polycopie et reproduction exclusivement après accord et avec mention de l'auteur.



# INDEX

## M16

## K SPECIAL \*USA

|         |                             |       |
|---------|-----------------------------|-------|
| GRUPPE: | 1.0 EINZELTEILE             | A1-G1 |
| GROUP:  | 1.0 PIECE PARTS             |       |
| GRUPPE: | 1.0 PIECES CONSTITUANTES    |       |
| GRUPPE: | 2.0 PUMPENSATZ              | A2-I2 |
| GROUP:  | 2.0 PUMP SET                |       |
| GRUPPE: | 2.0 JEU (ENSEMBLE) DE POMPE |       |
| GRUPPE: | 3.0 MOTOR                   | A3-E3 |
| GROUP:  | 3.0 MOTOR                   |       |
| GRUPPE: | 3.0 MOTEUR                  |       |
| GRUPPE: | 4.0 ZUBEHOER                | A4-I4 |
| GROUP:  | 4.0 ACCESSORIES             |       |
| GRUPPE: | 4.0 ACCESSOIRES             |       |



BEISPIEL: VERSION 1  
EXAMPLE: VERSION 1  
EXEMPLE: VERSION 1

**3.0**

BEISPIEL: SIEHE IN GRUPPE 3  
EXAMPLE: SEE IN GROUP 3  
EXEMPLE: VOIR EN GROUPE 3



WICHTIGER HINWEIS  
IMPORTANT REMARK  
REMARCAQUAGE IMPORTANT

BESTELLHINWEIS SIEHE M15  
EXAMPLE ORDER SEE M15  
EXEMPLE DE COMMANDE VOIR M15

VARIANTENÜBERSICHT SIEHE L16  
VARIANTS SURVEY SEE L16  
VUE D'ENSEMBLE DE VARIANTS VOIR L16