

THE **JOB PRO**[®] by **Mi-T-M**[®]

8650 Enterprise Drive, Peosta IA 52068
563-556-7484 / Fax 563-556-1235
www.mitm.com

PARTS LIST FOR ***JP-4003-0MHB/VB***

ENGINE OIL GRADE:

HONDA:

VANGUARD:

SAE10W-30

ABOVE 40°F = SAE30

BELOW 40°F= SAE10W-30

ENGINE OIL CAPACITY:

HONDA:

VANGUARD:

37 oz.

51 oz.

PUMP OIL GRADE:

PUMP OIL CAPACITY:

NOZZLE SIZE:

Mi-T-M PUMP OIL #AW-4085-0016

14 oz.

3.0

This Parts Listing has been compiled for your benefit. You can be assured your Mi-T-M Cold Water Pressure Washer was constructed and designed with quality and performance in mind using over 25 years experience in the pressure washer business. Each component has been rigorously tested to insure the highest level of acceptance.

The contents of this Parts Listing are based on the latest product information available at the time of publication. Mi-T-M reserves the right to make changes in price, color, materials, equipment, specifications or models at any time without notice.

WARNING

THIS IS A PROFESSIONAL HIGH PRESSURE, COLD WATER PRESSURE WASHER. CAUTION SHOULD BE OBSERVED WHEN USING OR REPAIRING THIS UNIT! READ AND FOLLOW THE SAFETY WARNINGS LISTED BELOW BEFORE ATTEMPTING ANY REPAIRS ON THIS PRESSURE WASHER!

SAFETY WARNINGS

1. NEVER alter or modify the equipment. Be sure any accessory items and system components being used will withstand the pressure developed. Use only genuine Mi-T-M parts for repair of your pressure washer. Failure to do so can cause hazardous operating conditions and will VOID warranty.
2. NEVER make adjustments on machinery while the unit is connected to the engine without first removing the ignition cable from the spark plug. Turning over the machinery by hand during adjustment or cleaning might start the machinery, causing serious injury to the operator.
3. Know how to stop and bleed pressures quickly. Be thoroughly familiar with controls.
4. Before servicing the unit, turn unit off, relieve the water pressure and allow the unit to cool down. Do not make repairs while the unit is running. Service in a clean, dry, flat area. Block the wheels to prevent the unit from moving. Be especially careful to properly dispose of any flammable materials.
5. After testing the machine, DO NOT leave the pressurized unit unattended. Shut off the unit and release trapped pressure before leaving.

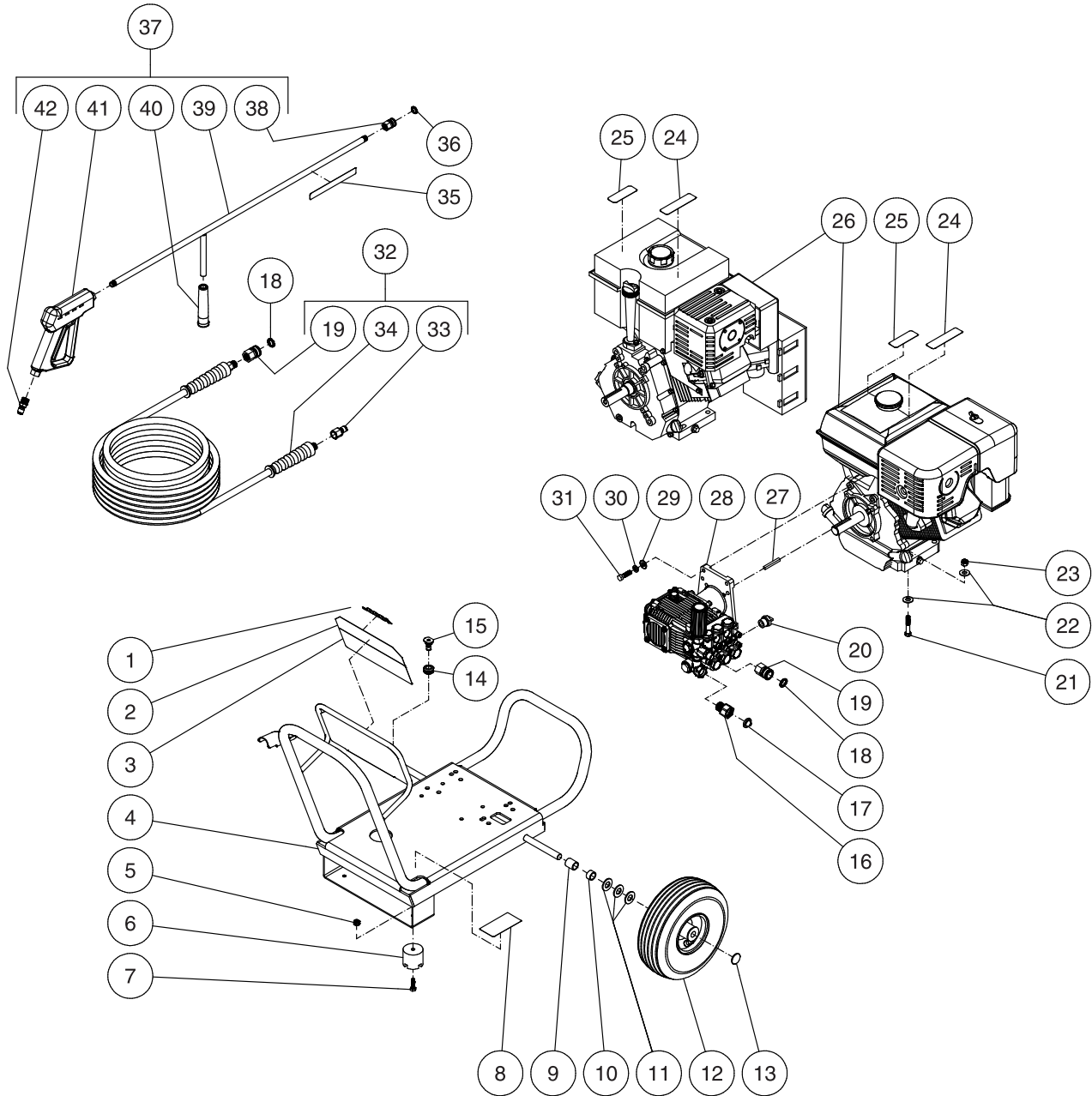
Table of Contents

SPECIFICATIONS	3
FRAME ASSEMBLY FOR JP-4003-0MHB/VB	4
PUMP ASSEMBLY (3-0225)	6
GUN ASSEMBLY (16-0001)	8
NOTES	10-11

SPECIFICATIONS

MODEL NUMBER	JP-4003-0MHB	JP-4003-0MVB
Operating Pressure (PSI/Bar):	4000/275.8	
High Pressure Nozzle:	3.0	
Water Volume (GPM/lpm):	3.0/11.3	
Engine:	Honda	Vanguard
Horsepower	13.0	
Engine Type	4 Stroke, Overhead Valve, Single Cylinder	
Oil Type	SAE 10W-30	Above 40°F = SAE30 / Below 40°F = SAE10W-30
Oil Capacity (oz./liters)	37/1.1	51/1.5
Low Oil Protection	Oil Alert™	Oil Guard™
Fuel Type	Unleaded Gasoline 86 Octane Minimum	
Fuel Capacity (gallon/ liters)	1.7/6.5	2.0/7.9
Starting	Recoil	
Maximum No Load RPM	3600 (+/- 100) RPM	
Pump:	Direct Driven, Oil Bath, Triplex Piston	
Oil Type	Mi-T-M Pump Oil #AW-4085-0016	
Oil Capacity (oz./liters)	14/1.18	
Plungers	Ceramic	
Manifold	Brass	
Valves	Stainless Steel	
Unloader	Adjustable	
Thermal Relief Valve	Relieves heated water during unloader bypass stage	
Unit Net Weight (lbs/Kg)	142/64.5	
Unit Shipping Weight (lbs/Kg)	182/82.5	
Unit Net Dimension (in/cm)	34Lx23.5Wx25.5H/86Lx59.5Wx64.5H	
Unit Shipping Dimension (in/cm)	41Hx26Wx33H/104Lx66Wx84H	

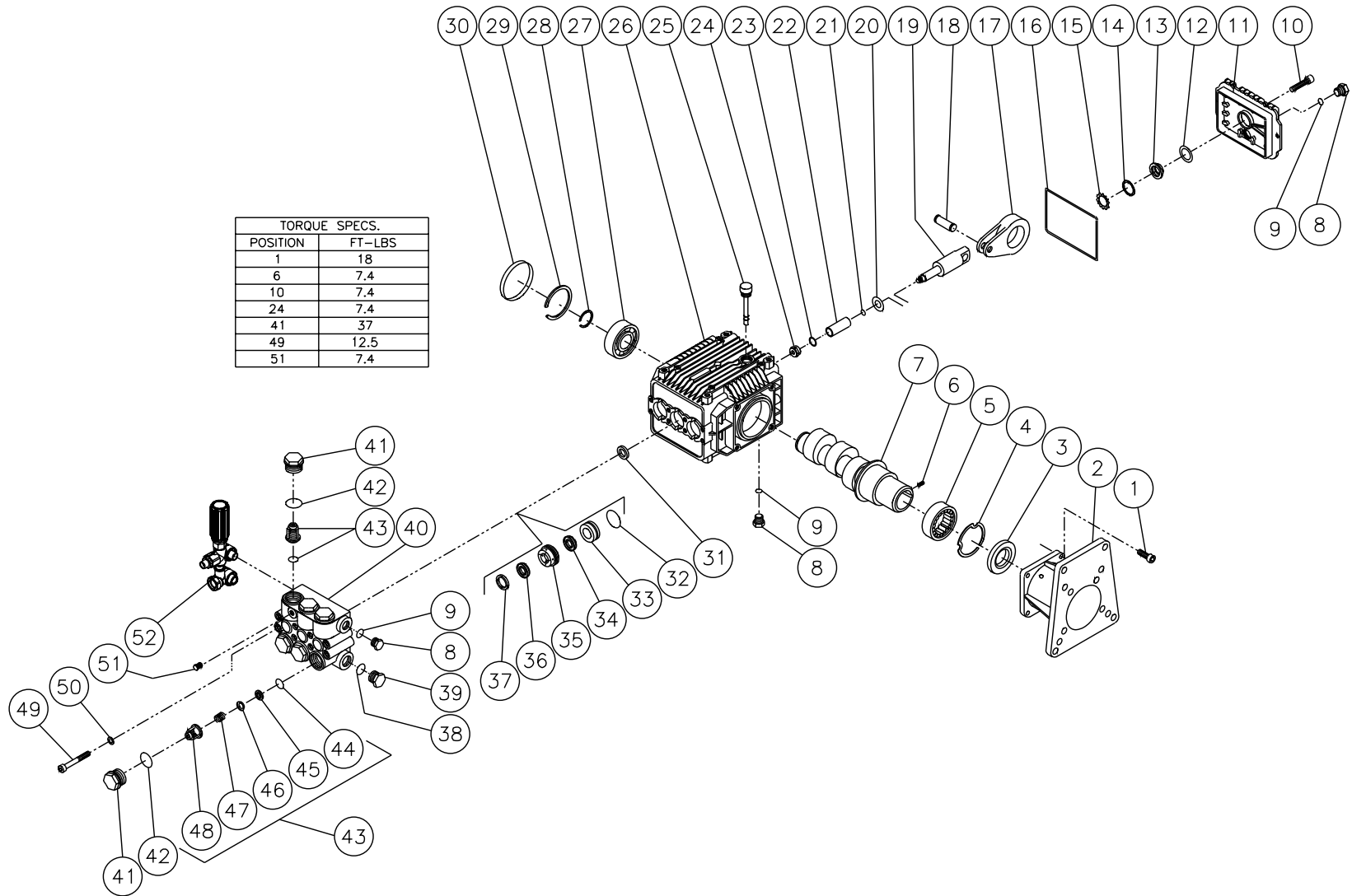
FRAME ASSEMBLY FOR JP-4003-0MHB/VB



JP-4003-0MHB/VB-030105-JJF

FRAME ASSEMBLY FOR JP-4003-0MHB/VB							
REF. #	DESCRIPTION	PART #	QTY.	REF. #	DESCRIPTION	PART #	QTY.
1	Decal- 4000 Die Cut	34-1400	1	22	Flat Washer	28-0023	8
2	Decal- Job Pro Placard	34-0778	1	23	Locknut	30-0159	4
3	Decal- Warning/Caution/Operating (E/S) (See 34-9005)	N/A Sep.	1	24	Decal-Warning: Muffler Hot (E/S) (See 34-9005)	N/A Sep.	1
4	Frame	5-0179A01	1	25	Decal-Caution: Allow to Cool (E/S) (See 34-9005)	N/A Sep.	1
5	Locknut	30-0157	2	26	Engine- 13.0 H.P. Honda (JP-4003-0MVB)	1-0086	1
6	Isolator	14-0008	2	-	Engine- 13.0 H.P. Vanguard (JP-4003-0MVB)	1-0090	1
7	Bolt	27-0068	2	27	Key	43-0078	1
8	Decal- Data Plate	N/A	1	28	Pump	3-0225	1
9	Axle Spacer	20-0313A01	2	29	Washer	28-0022	4
10	Axle Spacer	20-0314A01	2	30	Lockwasher	29-0008	4
11	Washer	28-0008	5	31	Bolt	27-0118	4
12	Wheel	14-0017	2	32	Pressure Hose Assembly (Inc. 19, 33-34)	851-0338	1
13	Hubcap	33-0018	2	33	Quick Connect Plug	17-0006	1
14	Grommet	33-0001	5	34	Pressure Hose	15-0209	1
15	Nozzle- 0003	18-0302	1	35	Decal-Warning: Risk of Injection (E/S) (See 34-9005)	N/A Sep.	1
-	Nozzle- 1503	18-0150	1	36	O-ring (Replacement Only)	25-0122	-
-	Nozzle- 2503	18-0303	1	37	Gun & Wand Assembly (Inc. 38-42)	851-0095	1
-	Nozzle- 4003	18-0304	1	38	Quick Connect Socket	17-0001	1
16	Garden Hose Swivel	23-0095	1	39	Wand	16-0418	1
17	Filter	19-0001	1	40	Grip Handle	7-0002	1
18	O-ring (Replacement Only)	25-0123	-	41	Gun	16-0001	1
19	Quick Connect Socket	17-0004	2	42	Quick Connect Plug	17-0005	1
20	Thermal Relief Valve	22-0005	1		Safety Decal Kit (Includes 3, 24-25, 35)	34-9005	
21	Bolt	27-0121	4	*Must Order in One Foot Lengths			

PUMP ASSEMBLY (3-0225)

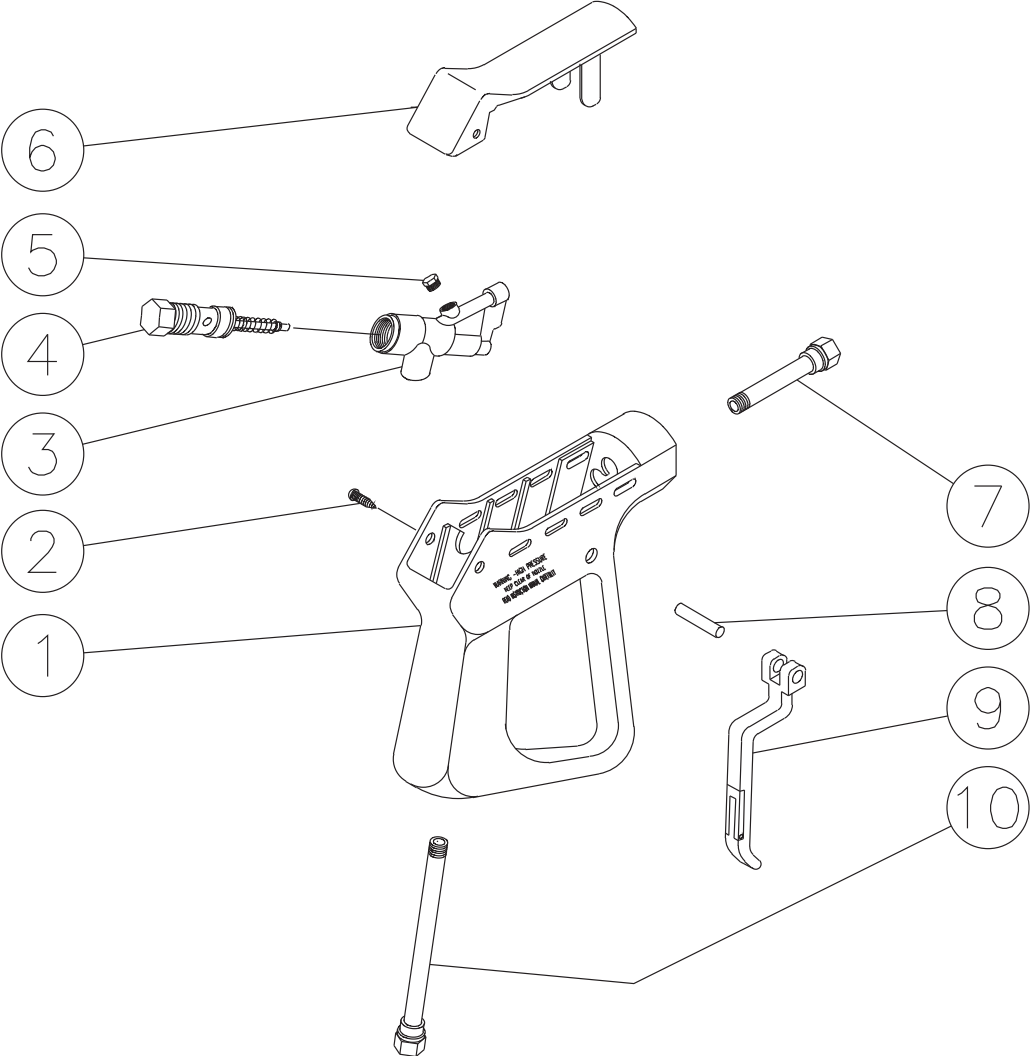


3-0225-040903-RD

PUMP ASSEMBLY (3-0225)

REF. #	DESCRIPTION	PART #	QTY.	REF. #	DESCRIPTION	PART #	QTY.	REF. #	DESCRIPTION	PART #	QTY.
1	Bolt	27-8432	4	20	Washer	28-1027	3	39	Plug	39-0088	1
2	Flange	46-0714	1	21	O-ring	25-0371	3	40	Manifold	46-0730	1
3	Oil Seal	26-0192	1	22	Piston	46-0723	3	41	Valve Cap	39-0087	6
4	Retaining Ring	46-0667	1	23	Washer	26-0187	3	42	O-ring	25-0160	6
5	Bearing	48-0059	1	24	Nut	30-6016	3	43	Single Valve Assembly (Inc. 44-48)	70-0373	6
6	Set Screw	27-8886	1	25	Oil Dipstick	39-0090	1	44	O-ring (See 70-0373)	N/A Sep.	6
7	Crankshaft	46-0717	1	26	Crankcase	46-0724	1	45	Valve Seat (See 70-0373)	N/A Sep.	6
8	Plug	39-0086	3	27	Bearing	48-0063	1	46	Valve Plate (See 70-0373)	N/A Sep.	6
9	O-ring	25-0325	3	28	Retaining Ring	46-0732	1	47	Valve Spring (See 70-0373)	N/A Sep.	6
10	Bolt	27-8888	6	29	Retaining Ring	46-0676	1	48	Valve Cage (See 70-0373)	N/A Sep.	6
11	Crankcase Cover	46-0719	1	30	Bearing Cap	46-0725	1	49	Bolt	27-8875	8
12	O-ring	25-0370	1	31	Oil Seal	26-0193	3	50	Lockwasher	29-0153	8
13	Oil Sight Glass	46-0670	1	32	O-ring	25-0399	3	51	Plug	39-0097	1
14	Reflector	46-0824	1	33	Low Pressure Retainer	46-0726	3	52	Unloader Assembly	8-0533	1
15	Retainer	46-0671	1	34	Low Pressure Seal (See 70-0181)	N/A Sep.	3		High Pressure Seals Kit (Inc. 3 each 32, 34, 36)	70-0181	
16	O-ring	25-0398	1	35	Packing Retainer	46-0728	3		Support Ring Kit (Inc. 3 each 37)	70-0182	
17	Connecting Rod	46-0720	3	36	V-Packing (See 70-0181)	N/A Sep.	3		Valve Kit (Inc. 6 each 44-48)	70-0373	
18	Piston Pin	46-0721	3	37	Support Ring	N/A	3				
19	Plunger Rod	46-0722	3	38	O-ring	25-0372	1				

GUN ASSEMBLY (16-0001)



GUN ASSEMBLY (16-0001)			
REF. #	DESCRIPTION	PART #	QTY.
1	Plastic Housing	16-0008	1
2	Screw	27-3230	2
3	Brass Housing	16-0012	1
4	Gun Repair Kit	70-0055	1
5	Brass Plug	39-0024	1
6	Plastic Cover	16-0009	1
7	Pipe Assembly	16-0013	1
8	Trigger Pin	16-0063	1
9	Trigger/Safety Lock-off	16-0010	1
10	Pipe Assembly- Inlet	16-0016	1
	Complete Gun Assembly	16-0001	1

NOTES

NOTES

