

Tanaka Illustrated Parts Manual

Model Number:

HTD-2520PF
HEDGETRIMMER

P/N 32980

Rev 000

Date 1-10-05

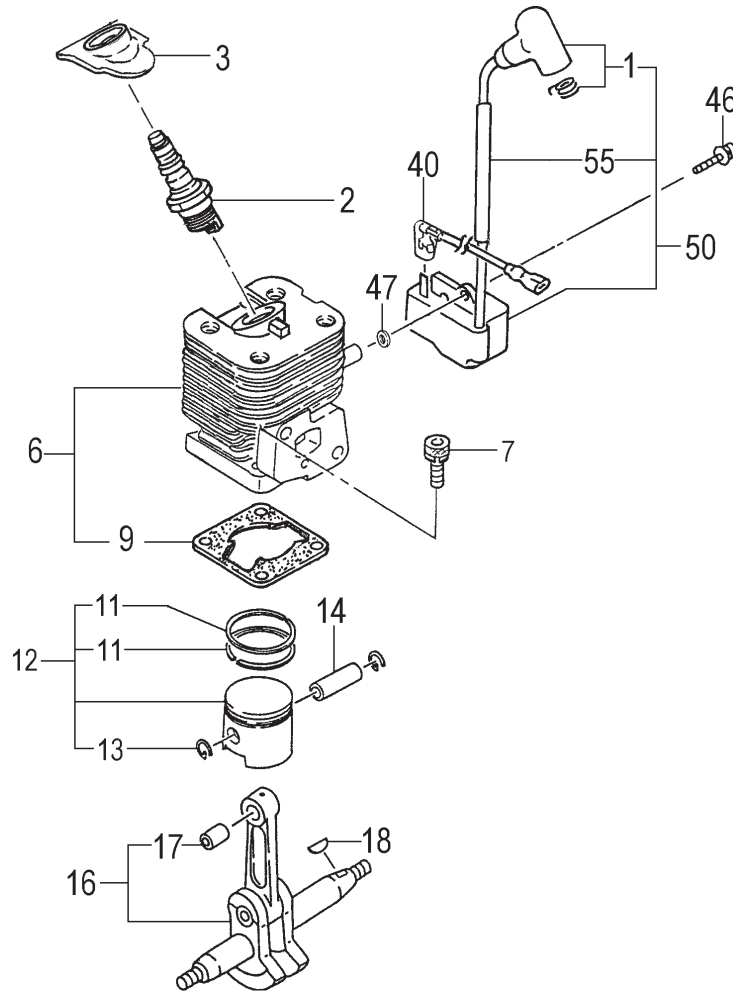


C.A.R.B. Tier II Certified!

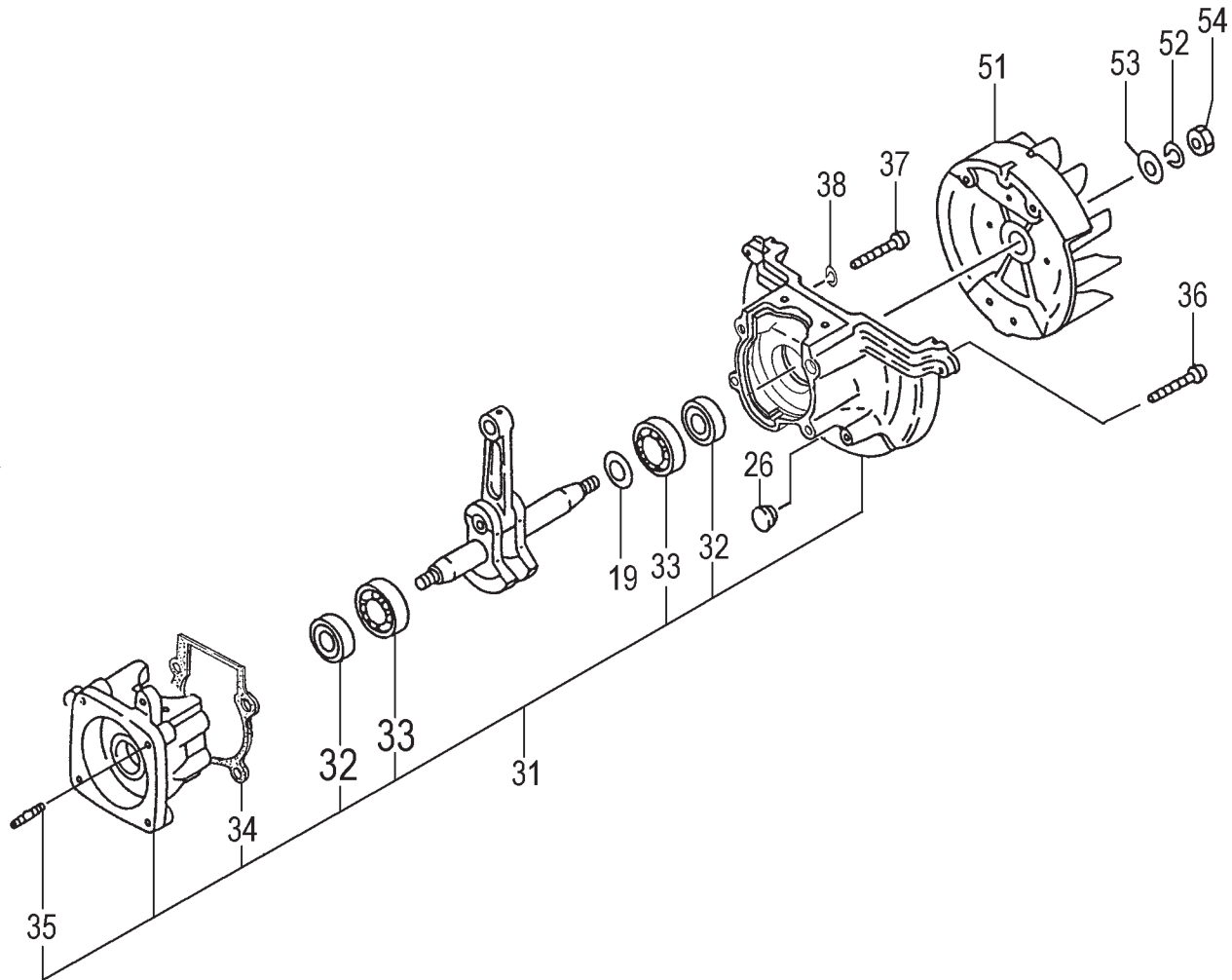


Supplier To The Outdoor Power Equipment Industry

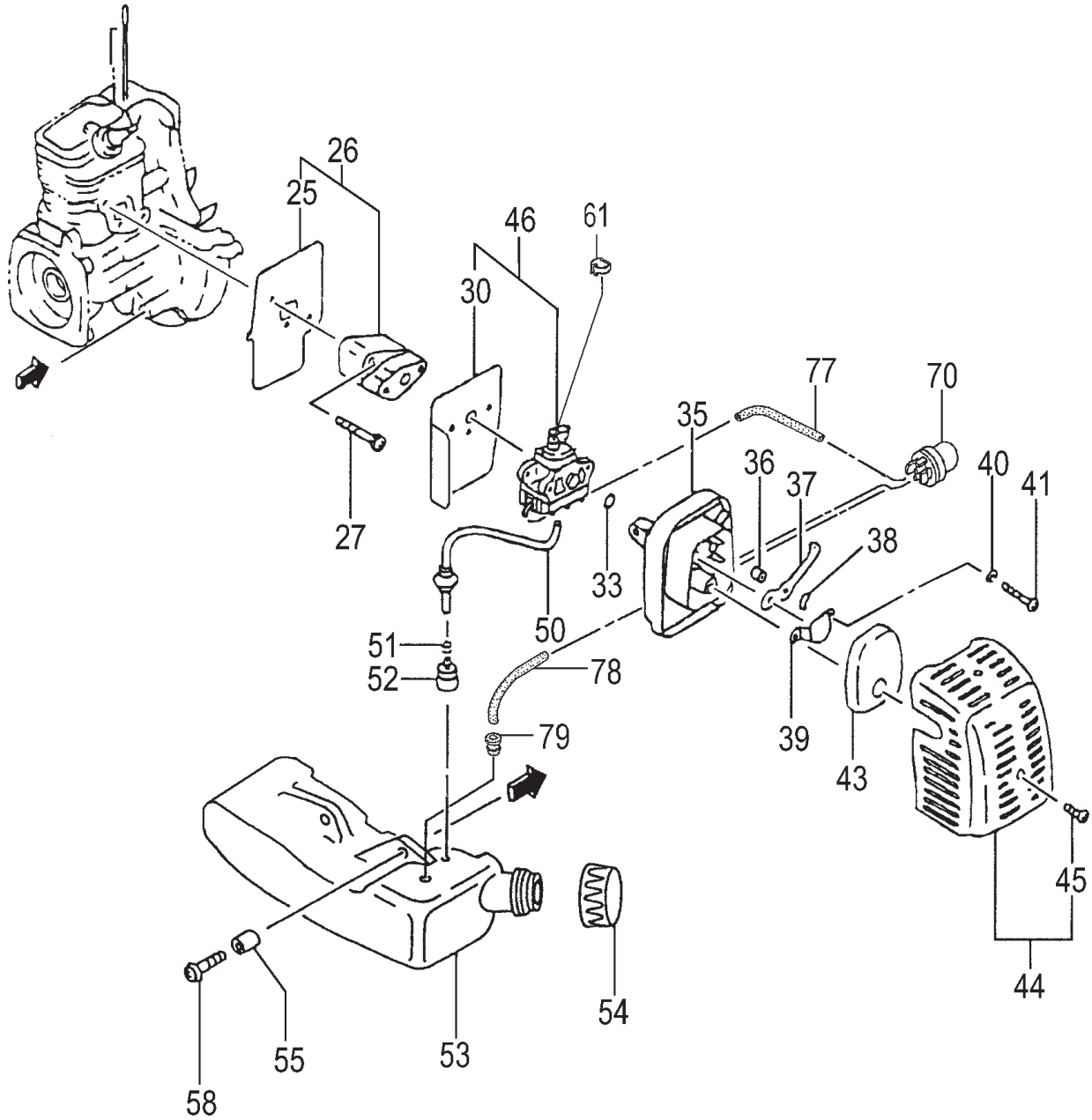
ISM, Inc. • 1028 4th Street SW • Auburn, WA 98001 • Phone: (253) 333-1200 • Fax: (253) 333-1212



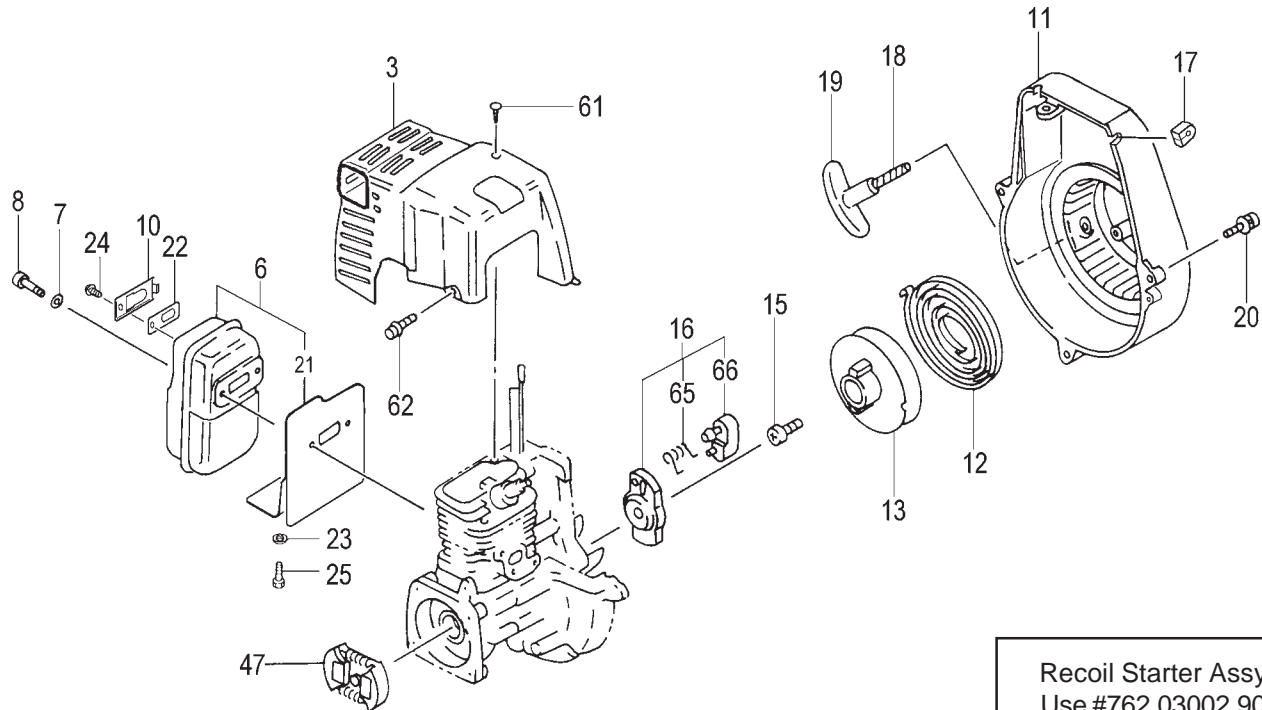
ITEM	PART NUMBER	DESCRIPTION	QTY	COMMENTS
1-1	1570168090	CAP, SPARK PLUG ASS'Y	1	
1-2	0181166021	PLUG, SPARK	1	
1-3	2550168020	COVER, SPARK PLUG, RUBBER	1	
1-6	0010300290	SET, CYLINDER	1	Includes cylinder gasket
1-7	99461050184	BOLT, HEX, 5X18, S	4	
1-9	0170300221	GASKET, CYLINDER	1	
1-11	04101601200	RING, PISTON	2	
1-12	0300168090	PISTON SET	1	Includes rings, and circlips
1-13	03900000201	CIRCLIP, PISTON PIN	2	
1-14	03701700200	PIN, PISTON	1	
1-16	0460300280	CRANKSHAFT	1	
1-17	99962091325	BEARING, NEEDLE, F-910	1	
1-18	06810100200	KEY, WOODRUFF, 3X13X4.5	1	
1-40	1780300280	CORD, B, 140M	1	
1-46	99464040184	BOLT, HEX, 4X18WS	2	
1-47	1820186A201	WASHER, SPECIAL	2	
1-50	1672174390	COIL, IGNITION ASS'Y	1	
1-55	2500168020	TUBE, INSULATOR	1	



ITEM	PART NUMBER	DESCRIPTION	QTY	COMMENTS
2-19	33000200210	SHIM,12.2X19X.10	1	Shims are "as needed" to obtain correct side clearance
2-19	33000200220	SHIM,12.2X19X.15	1	
2-19	33000200230	SHIM,12.2X19X.20	1	
2-19	33000200240	SHIM,12.2X19X.30	1	
2-26	2030300220	GROMMET	1	
2-31	0720300290	CRANKCASE	1	Crankcase assy includes bearings, seals and gasket
2-32	99966122240	SEAL,OIL,#12227	2	
2-33	99961600115	BEARING,BALL,6001 C3	2	
2-34	0900300220	GASKET,CRANKCASE	1	
2-35	10002100200	BOLT,STUD,6X22	2	
2-36	99461050304	BOLT,HEX,5X30S	2	
2-37	99051050453	BOLT,HEX,5X45	2	
2-38	99210050062	WASHER,S,5	2	
2-51	1552174480	MAGNETO	1	
2-52	99210080012	WASHER,S,8	1	
2-53	99201080011	WASHER,8	1	
2-54	99101080011	NUT,8	1	

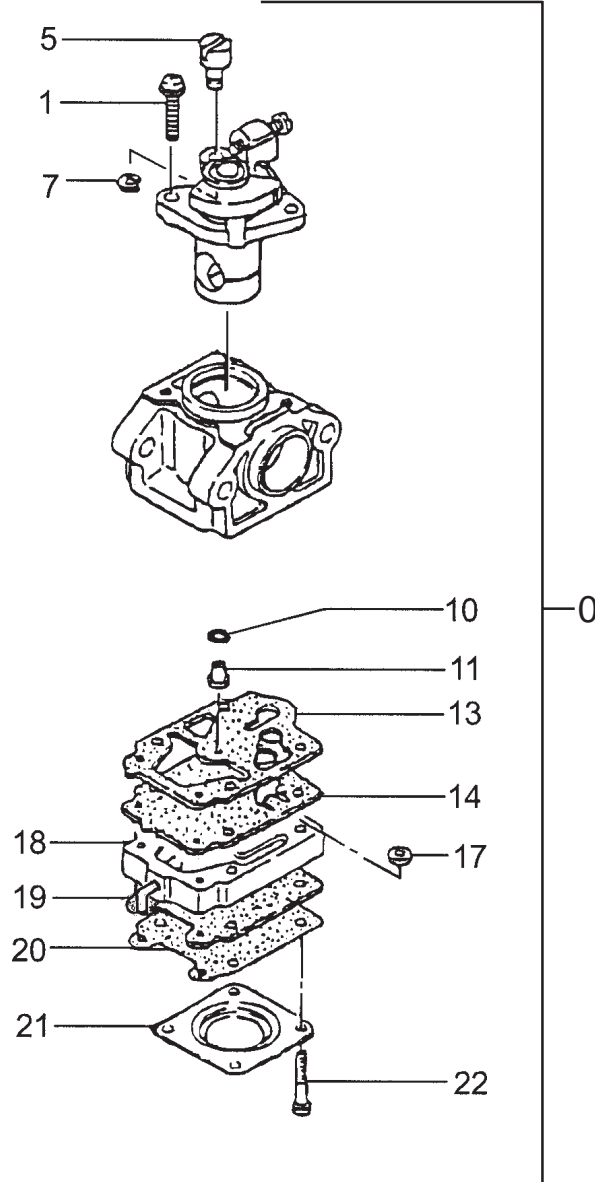


ITEM	PART NUMBER	DESCRIPTION	QTY	COMMENTS
3-25	4030300220	GASKET,INTAKE	1	Includes gasket
3-26	4040300291	INSULATOR SET	1	
3-27	99464050254	BOLT,HEX HOLE,5X25WS	2	
3-30	4020300220	GASKET,CARBURETOR	1	
3-33	99967015000	O-RING,P15	1	
3-35	4230650081	BODY,CLEANER	1	
3-36	47006500200	COLLAR	2	
3-37	5280300220	VALVE,CHOKE	1	
3-38	99204080030	WASHER,8	1	
3-39	47601700200	BOARD,BLOW OVER CHECK	1	
3-40	99210050012	WASHER,S,5	2	
3-41	99011050602	SCREW,5X60	2	
3-43	4460650021	FILTER,AIR	1	Includes gasket
3-44	4520650091	COVER,CLEANER,W/BOLT	1	
3-45	3800637C200	BOLT,CLEANER COVER	1	
3-46	4550300290	SET,CARBURETOR	1	
3-50	2230700090	FUEL PIPE ASSY	1	
3-51	68000731201	CLIP 6.3	1	
3-52	6750404280	FILTER,FUEL	1	
3-53	5910300220	TANK,FUEL	1	
3-54	5950300290	CAP,TANK (BLACK/RED)	1	
3-55	65900801200	COLLAR	2	
3-58	99463050185	BOLT,HEX 5X18PS	2	
3-61	5600712020	CAP,SWIVEL	1	
3-70	44225143800	PUMP,PRIMING ASS'Y	1	
3-77	7000250408	PIPE,FUEL,2.5x4x80	1	
3-78	7000250407	PIPE,FUEL,2.5x4x70	1	
3-79	53432710200	GROMMET,FUEL PIPE	1	

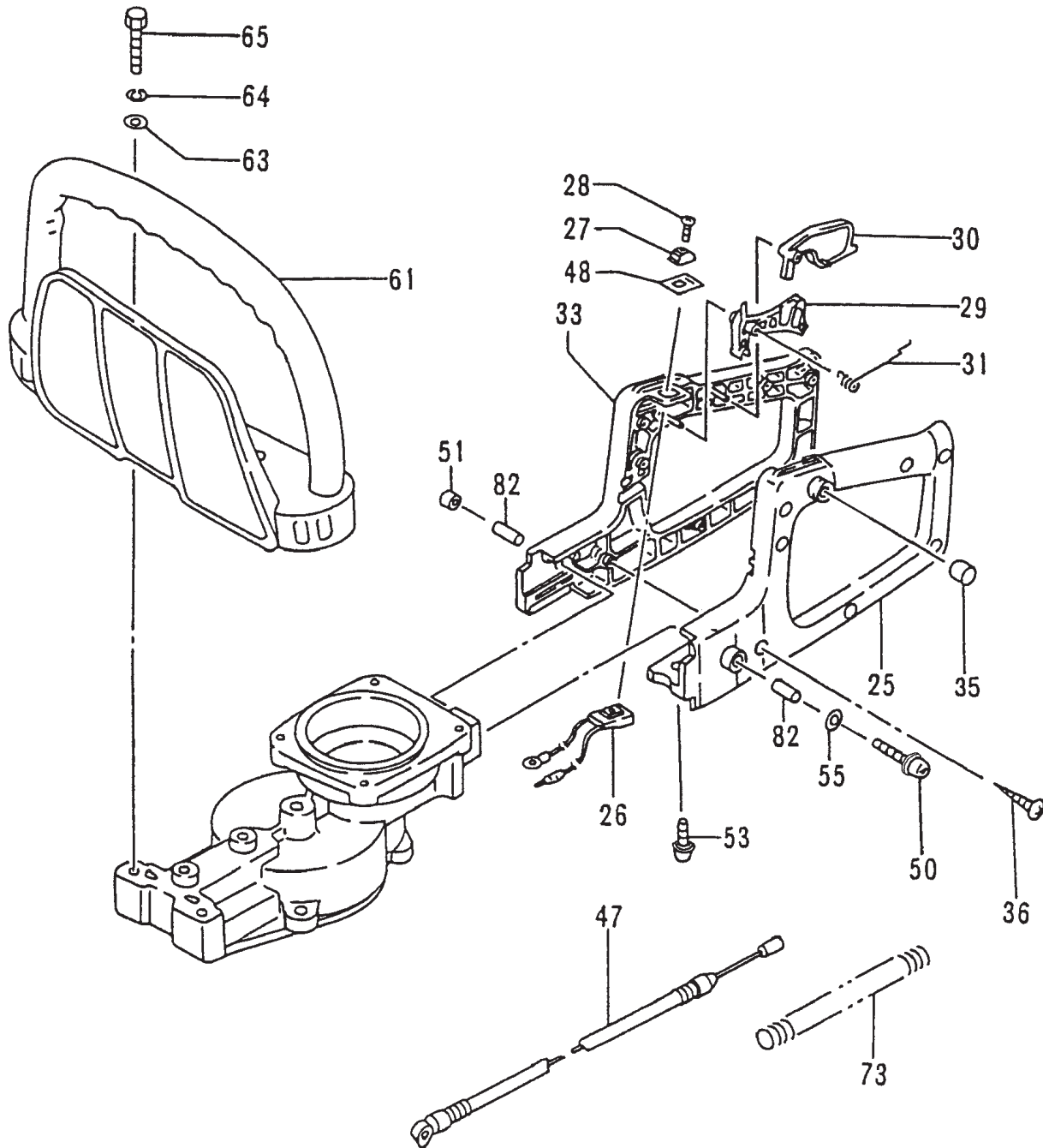


Recoil Starter Assy
Use #762.03002.90
Includes items #11-#19

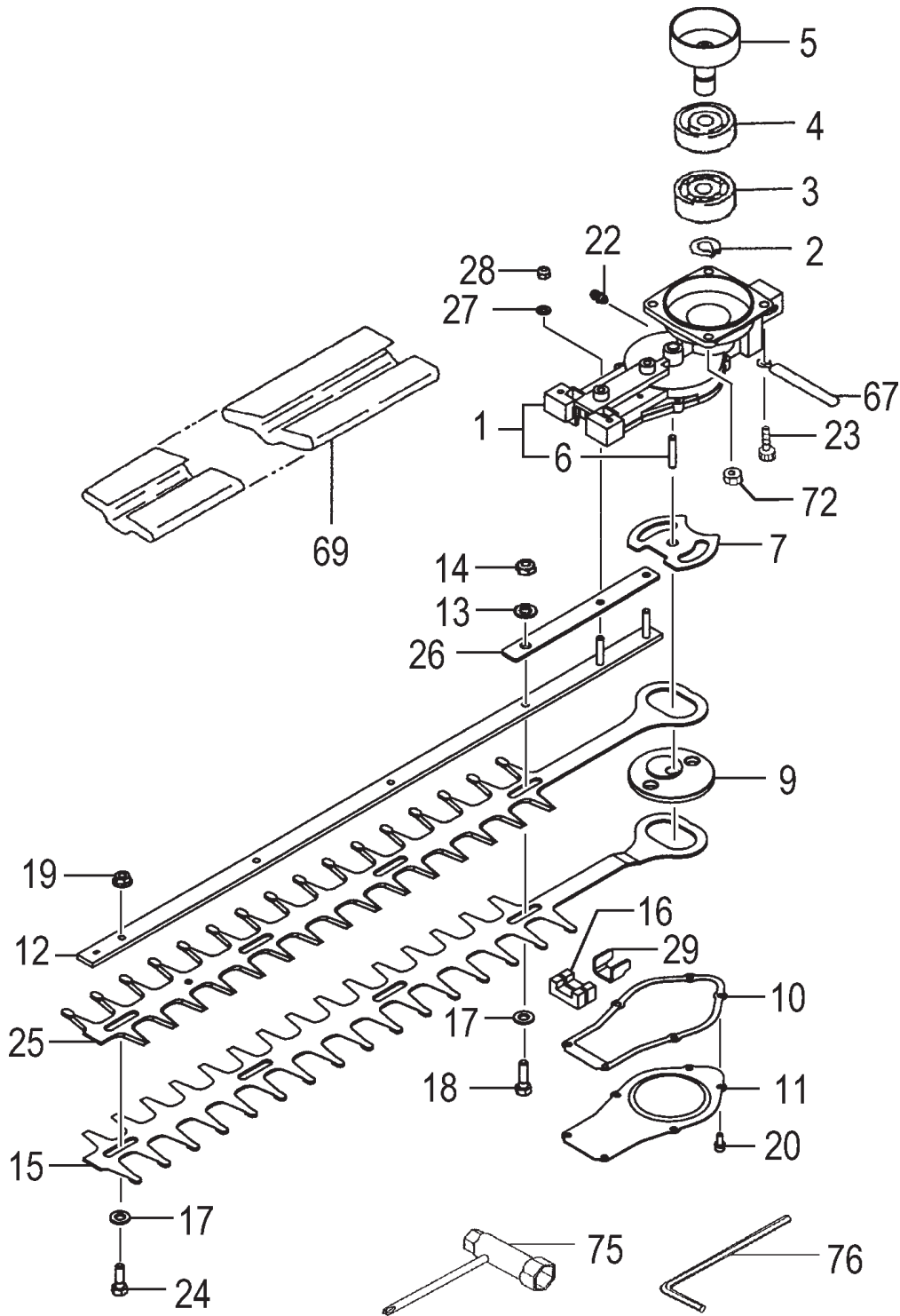
ITEM	PART NUMBER	DESCRIPTION	QTY	COMMENTS
4-3	7380300221	PROTECTOR,MUFFLER	1	
4-6	7040300290	SET,MUFFLER	1	
4-7	99201060011	WASHER,6	2	
4-8	99053060553	SCREW,HEX.HOLE	2	
4-10	7210300320	PIPE,TAIL	1	
4-11	1120300280	CASE,FAN	1	
4-12	78006097200	SPRING,RECOIL	1	
4-13	77406097200	PULLEY,STARTER	1	
4-15	8390201020	SCREW,SET	1	
4-16	79806500900	PULLEY,STARTER,ASS'Y	1	
4-17	20306000200	GROMMET,PRIMARY CORD	1	
4-18	78306097200	ROPE,STARTER	1	
4-19	78506410200	HANDLE,STARTER	1	
4-20	99463040154	BOLT,HEX,4X15,PS	3	
4-21	7350300281	SHIELD,HEAT	1	
4-22	7320440020	ARRESTER,SPARK	1	
4-23	99201050011	WASHER,5	1	
4-24	99435040081	SCREW,4X8PS	1	
4-25	99414050081	SCREW,5X8,S	1	
4-47	2770634F901	CLUTCH,ASSY	1	
4-61	99073045104	SCREW,TAPPING,4.5X10	1	
4-62	99425040128	BOLT,PS,4X12	1	
4-65	79006097200	SPRING,STARTER PAWL	1	
4-66	7880650020	PAWL,STARTER	1	



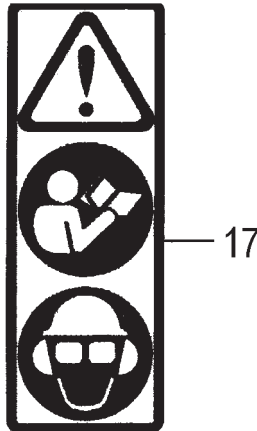
ITEM	PART NUMBER	DESCRIPTION	QTY	COMMENTS
5-0	4550300290	SET,CARBURETOR	1	Includes carburetor gasket
5-1	54825140200	SCREW,THROTTLE SET	2	
5-5	53925120200	SWIVEL	1	Carburetor Repair Kit - 650-25140-900
5-7	48925100200	RING,STOP	1	Gasket/Diaphragm Kit - 652-25140-900
5-10	55025100200	O-RING	1	
5-11	5992001W35	JET,MAIN,#35	1	
5-13	~ ~ ~	GASKET,PUMP	1	~ Contained in Carb Kits
5-14	~ ~ ~	DIAPHRAGM,PUMP	1	
5-17	57825007200	SCREEN,INLET	1	
5-18	5752522580	BODY,PUMP	1	
5-19	~ ~ ~	GASKET,DIAPHRAGM	1	
5-20	~ ~ ~	DIAPHRAGM,METERING	1	
5-21	47625004200	COVER,DIAPHRAGM	1	
5-22	54825101200	SCREW,SET	4	



ITEM	PART NUMBER	DESCRIPTION	QTY	COMMENTS
6-25	05033150010	HANDLE,REAR,ASSY	1	
6-26	1703317A80	SWITCH,STOP	1	
6-27	2581165020	BUTTON,STOP	1	
6-28	99011030101	SCREW,3X10	1	
6-29	2303315020	LEVER,THROTTLE	1	
6-30	23133150200	LEVER,SAFETY	1	
6-31	23233150200	SPRING,THROTTLE LEVER	1	
6-33	05033150010	HANDLE,REAR,ASSY	1	Includes both left and right handles
6-35	7653212020	CAP	1	
6-36	99311041812	SCREW,TAPPING,4X18	7	
6-47	8850651C80	WIRE,THROTTLE	1	
6-48	9253253020	DECAL,STOP BUTTON	1	
6-50	99414050451	SCREW,5X45/S	1	
6-51	99178050010	NUT,LOCK 5	1	
6-53	99415060181	SCREW,6X18PS	1	
6-55	99200050011	WASHER,SMALL,5	1	
6-61	2103324720	HANDLE,FRONT	1	
6-63	36832057200	WASHER,BRAKE SHAFT	2	
6-64	99210050062	WASHER,S,5	2	
6-65	99051050403	BOLT,HEX,5X40	2	
6-73	1641001500	TUBE,PROTECTION,10X150	1	
6-82	65900801200	COLLAR	2	



ITEM	PART NUMBER	DESCRIPTION	QTY	COMMENTS
7-1	3003328781	CASE,GEAR	1	
7-2	99350015002	RING,STOP,C-15 EX	1	
7-3	99961600200	BEARING,BALL,#6002	1	
7-4	99961600202	BEARING,BALL,#6002Z	1	
7-5	2883318080	DRUM,CLUTCH	1	
7-6	30533160200	SHAFT,GEAR	1	
7-7	0753328720	PLATE,GUIDE	1	
7-9	3073328720	GEAR 2	1	
7-10	30333160200	GASKET,GEARCASE	1	
7-11	6303328720	COVER,GEAR CASE	1	
7-12	1223328780	GUIDE,CUTTER	1	
7-13	99201060011	WASHER,6	1	
7-14	99187060001	NUT	1	
7-15	1213328720	BLADE,B,DS,20"	1	
7-16	0853328720	SEAL,GREASE A	2	
7-17	12933202201	WASHER,7	4	
7-18	1243228720	BOLT,FIXING,A,M6	1	
7-19	99182060001	NUT,FLANGE,6	3	
7-20	99461040104	BOLT,HEX,4X10,S	6	
7-22	30032250801	FITTING,GREASE	1	
7-23	99461060184	BOLT,HEX,6x18S	2	
7-24	1253228720	BOLT,CUTTER FIXING,B	3	
7-25	1203328720	BLADE,A,DS,20"	1	
7-26	4623328720	PLATE,SUPPORT	1	
7-27	99200050011	WASHER,SMALL,5	2	
7-28	99178050010	NUT,LOCK 5	2	
7-29	0703328720	PLATE,HOLDING	1	
7-67	19810246800	CLAMP,CORD	1	
7-69	1383325820	COVER,BLADE	1	
7-72	99440060011	NUT,SPRING 6	2	
7-75	03629331501	SPANNER,COMBI	1	
7-76	81320000200	WRENCH,HEX,4	1	



ITEM	PART NUMBER	DESCRIPTION	QTY	COMMENTS
8-1	9060301620	DECAL,HTD-2520PF	1	
8-17	9203246620	DECAL,CAUTION	1	