

Mi-T-M[®] CORPORATION

8650 Enterprise Drive, Peosta IA 52068

563-556-7484 / Fax 563-556-1235

PARTS LIST FOR *HS-3005-CMV2* *HS-3505-CMH1*

Engine Oil Grade:

Honda: Above 50°F = SAE30
Vanguard: Above 40°F = SAE30
Below 40°F = SAE10W-30

Engine Oil Capacity:

Honda: 24 oz.
Vanguard: 56 oz.

Pump Oil Grade:

Pump Oil Capacity:

BTU Input:

HS-3005-CMV2: 471, 800 per hour
HS-3505-CMH1: 513, 800 per hour

Nozzle Size:

HS-3005-CMV2: 5.5
HS-3505-CMH1: 5.0

Mi-T-M Pump Oil #AW-4085-0016

41 oz.

This Parts Listing has been compiled for your benefit. You can be assured your Mi-T-M Cold Water Pressure Washer was constructed and designed with quality and performance in mind using over 25 years experience in the pressure washer business. Each component has been rigorously tested to insure the highest level of acceptance.

The contents of this Parts Listing are based on the latest product information available at the time of publication. Mi-T-M reserves the right to make changes in price, color, materials, equipment, specifications or models at any time without notice.

WARNING

THIS IS A PROFESSIONAL HIGH PRESSURE, COLD WATER PRESSURE WASHER. CAUTION SHOULD BE OBSERVED WHEN USING OR REPAIRING THIS UNIT! READ AND FOLLOW THE SAFETY WARNINGS LISTED BELOW BEFORE ATTEMPTING ANY REPAIRS ON THIS PRESSURE WASHER!

SAFETY WARNINGS

1. NEVER alter or modify the equipment. Be sure any accessory items and system components being used will withstand the pressure developed. Use only genuine Mi-T-M parts for repair of your pressure washer. Failure to do so can cause hazardous operating conditions and will VOID warranty.
2. NEVER make adjustments on machinery while the unit is connected to the engine without first removing the ignition cable from the spark plug. Turning over the machinery by hand during adjustment or cleaning might start the engine and machinery with it, causing serious injury to the operator.
3. Know how to stop and bleed pressures quickly. Be thoroughly familiar with controls.
4. Before servicing the unit, turn unit off, relieve the water pressure and allow the unit to cool down. Do not make repairs while the unit is running. Service in a clean, dry, flat area. Block the wheels to prevent the unit from moving. Be especially careful to properly dispose of any flammable materials.
5. After testing the machine, DO NOT leave the pressurized unit unattended. Shut off the unit and release trapped pressure before leaving.

Table of Contents

SPECIFICATIONS 3

DECAL PLACEMENT 4

FRAME ASSEMBLY 6

BURNER ASSEMBLY (4-0009) 8

FUEL PUMP (3-0020) & SOLENOID (44-0038) ASSEMBLY 9

BOILER ASSEMBLY 10

MOTOR/ PUMP ASSEMBLY FOR HS-3005-CMV2 12

MOTOR/ PUMP ASSEMBLY FOR HS-3505-CMH1 14

PUMP ASSEMBLY (3-0202) 16

UNLOADER ASSEMBLY (8-0013) 18

PRESSURE SWITCH (22-0243) 20

WATER STRAINER (19-0004) 21

GUN/WAND (850-0181) & DUAL LANCE (850-0178) ASSEMBLY 22

CONTROL PANEL ASSEMBLY 24

WIRING SCHEMATIC 26

WIRING DIAGRAM 27

WHEEL KIT (AW-5540-0000) 28

CADMIUM CELL (HX-0033) 30

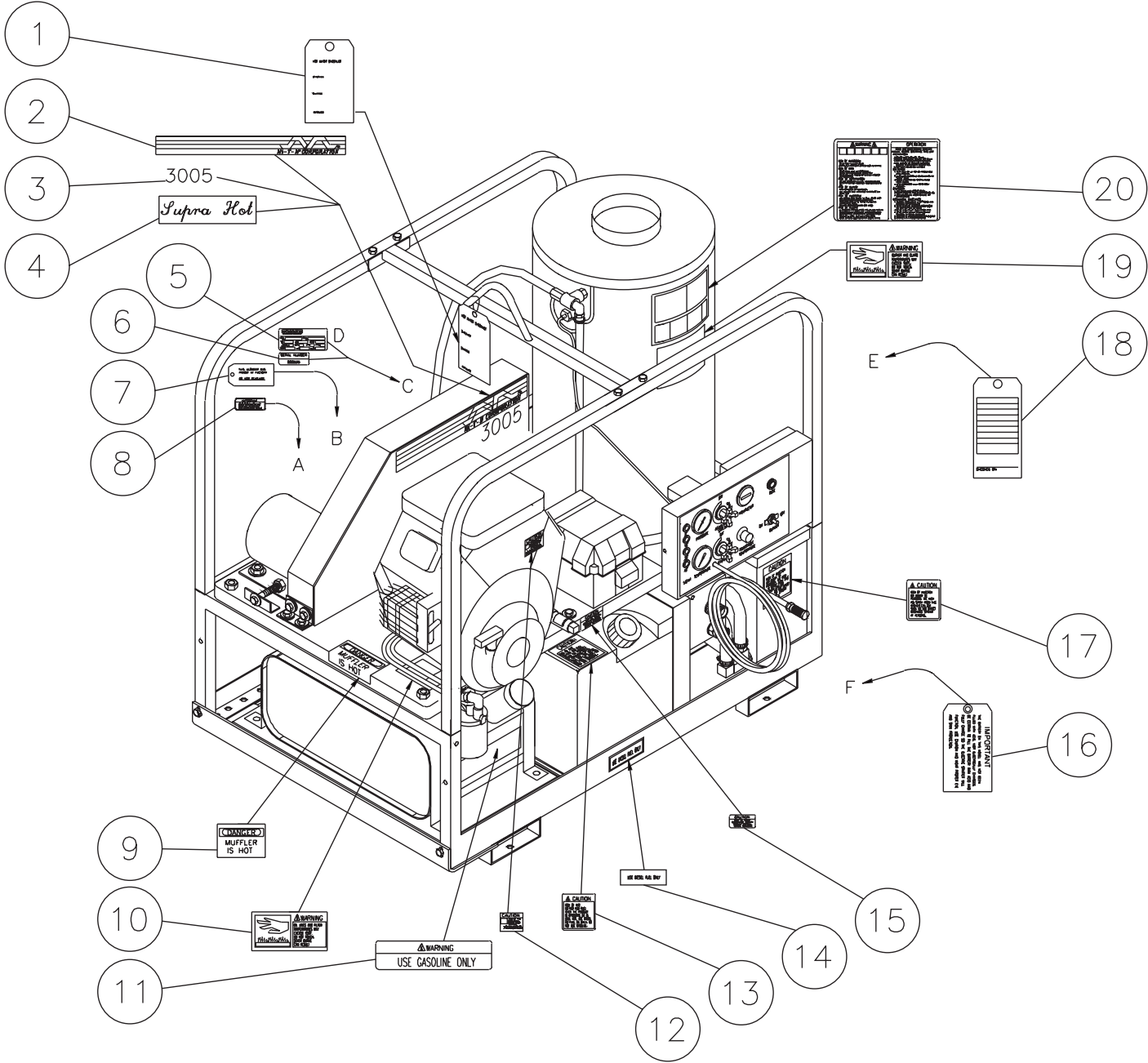
WIRING DIAGRAM FOR CADMIUM CELL (HX-0033) 31

SPECIFICATIONS

HS-3005-CMV2_HS-3505-CMH1

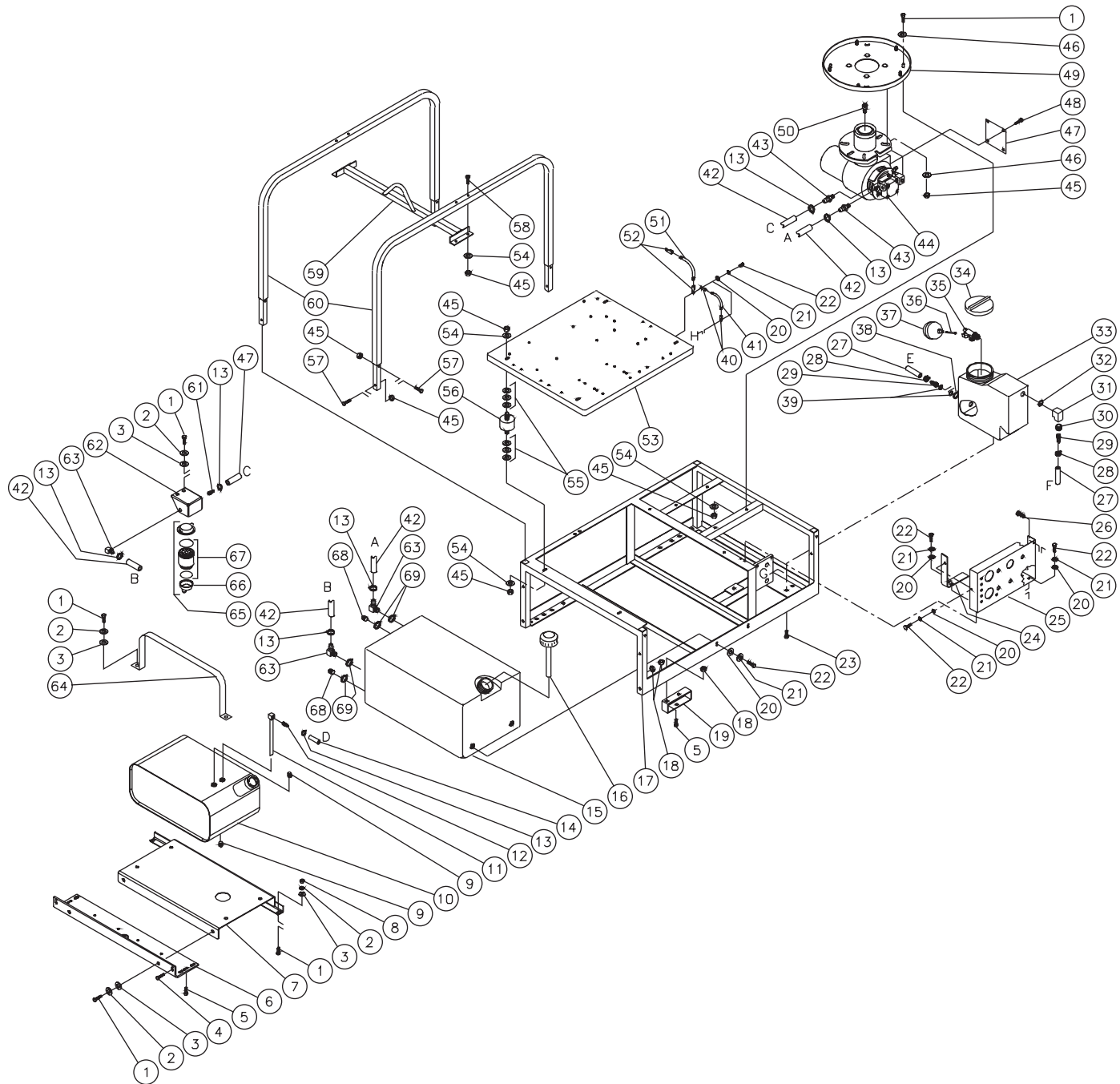
MODEL NUMBER	HS-3005-CMV2	HS-3505-CMH1
Operating Pressure (PSI/Bar):	3000 / 206.8 (+/- 5%)	3500 / 241.3 (+/- 5%)
Water Volume (GPM/lpm):	4.8 / 18.2 (+/- 5%)	4.7 / 17.7 (+/- 5%)
Outlet Water Temperature (F/C):	130 F / 54 C (+/- 10 F) rise above inlet ambient (210 F / 99 C maximum)	
High Pressure Nozzle	5.5	5.0
Engine:	Vanguard	Honda
Horsepower	16.0	20.0
Engine Type	4 Stroke, Overhead Valve, Twin Cylinder	
Oil Type	Above 40 F = SAE30 / Below 40 F = SAE10W-30	Above 50 F = SAE30
Oil Capacity (oz./liter)	56 / 1.66	24 / 1.5
Low Oil Protection	Oil Guard	Oil Switch
Fuel Type	Refer to Engine Owner's Manual	
Fuel Capacity (gal./liter)	6.0 / 22.7	
Starting	12 Volt Electric	
Maximum No Load RPM	3600 (+/- 100)	
High Pressure Pump:	Direct Driven, Oil Bath, Triplex Piston	
Oil Type	Mi-T-M Pump Oil #AW-4085-0016	
Oil Capacity (oz./liters)	41/1.2	
Plungers	Ceramic Coated	
Manifold	Forged Brass	
Valves	Stainless Steel	
Unloader	Preset at factory	
Heat Dump Valve	Relieves heated water during unloader bypass stage	
Water System:		
Inlet Water Strainer	Removable Thimble for inspection and cleaning of Stainless Steel Screen	
Float Tank Capacity (gal. / liters)	2.0 / 7.6	
Heat Dump Valve	Protects pump against damaging heat in recirculated and inlet water.	
Detergent System	Adjustable Metering Valve	
Burner Fuel System:		
Fuel Type	No.1 or No.2 Fuel Oil, Diesel or Kerosene	
Fuel Capacity (Gal. / liters)	17.0 / 64.4	
Fuel Filter/ Water Separator	Spin on (10 micron) filter / E-Z water drain	
Fuel Pump	Two Line, Single Stage	
Fuel Pressure (PSI / BAR)	150 / 10.4	
Fuel Nozzle	2.75 80 A Delavan	3.00 80 B Delavan
Fuel Consumption (GPH / LPH)	3.37 / 12.75 Cont. Burning	3.67 / 13.89 Cont. Burning
Burner Electrical System:		
Voltage	120	
Amps	5.8	
Heat Exchanger:	Vertical, Top Fired, Dual Spiral Coil	
BTU Input	471,800	513,800
Efficiency	75% with #2 Fuel Oil / Diesel	
Smoke Density	0-3 per ASTM D2156	
Safety System:		
Pressure Switch	Shuts off burner fuel supply upon trigger release.	
Fuel Solenoid Valve	115 Volt, controls fuel supply to burner	
Safety Relief	Relieves excess system pressure	
Adjustable Thermostat:	86 F / 30 C - 302 F / 150 C	
Unit Net Weight (Lbs/kg):	670 / 304	710 / 322
Unit Shipping Weight (Lbs/kg):	814 / 369	854 / 387
Unit Net Dimension (In/cm):	45L x 31W x 43H / 114L x 78.7W x 109H	
Unit Shipping Dimension (In/cm):	53L x 33W x 58H / 38.1L x 83.8W x 147.3H	

DECAL PLACEMENT



DECAL PLACEMENT								
REF #	DESCRIPTION	PART #	QTY		REF #	DESCRIPTION	PART #	QTY
1	Tag- Control Checklist	34-0101	1		11	Decal- Warning: Use Gasoline Only	34-0835	1
2	Decal- Stripe	34-0167	1		12	Decal- Engine Fuel	34-0588	1
3	Decal- White Die Cut 3005	34-0039	1		13	Decal- Caution: Risk of Fire	34-0284	1
-	Decal- White Die Cut 3505	34-1188	1		14	Decal- Diesel Only	34-0089	1
4	Decal- Logo	34-0212	1		15	Decal- Caution: Battery Terminal	34-0589	1
5	Decal- Data Plate	N/A	1		16	Tag- Battery	34-0096	1
6	Decal- Serial Number	34-0290	1		17	Decal- Risk of Injection	34-0283	1
7	Tag- Unloader Was Preset	34-0099	1		18	Tag- Burner Check List	34-0098	1
8	Decal- Pump Instructions	34-0128	1		19	Decal- Warning: Beltguard	34-0282	1
9	Decal- Danger: Muffler	34-0078	1		20	Decal- Warning/Caution	34-0288	1
10	Decal- Warning: On Line	34-0366	1					

FRAME ASSEMBLY

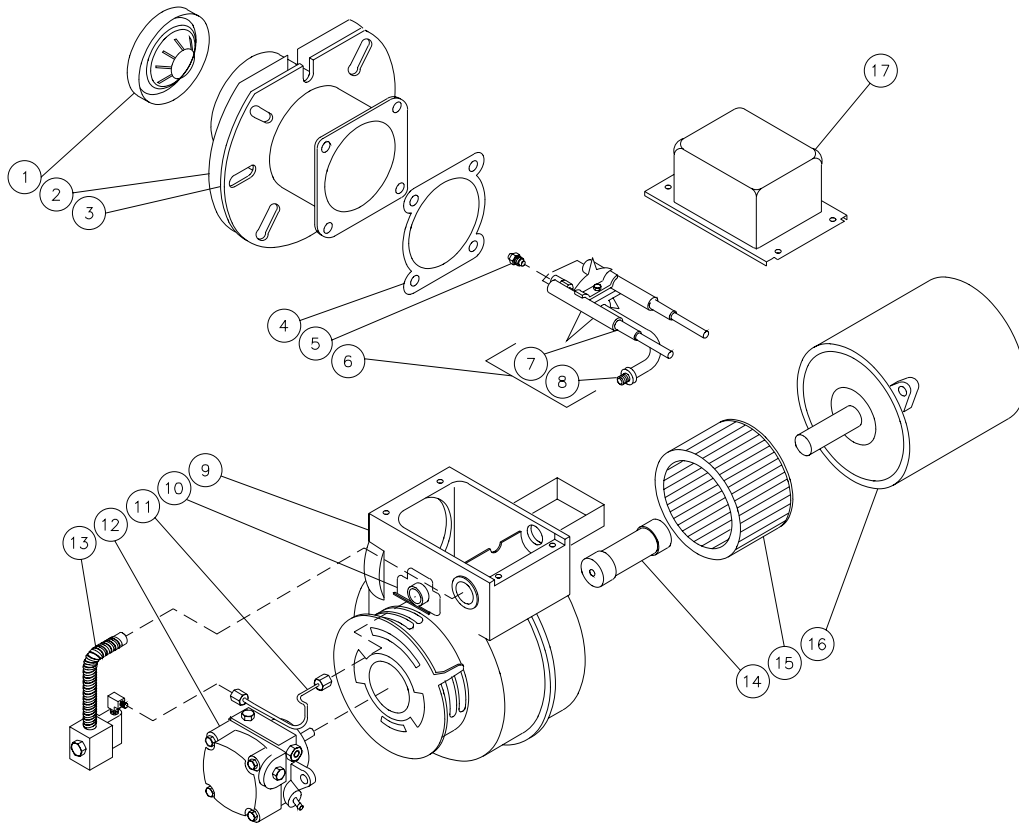


OMHS039-102400-BAR

FRAME ASSEMBLY											
REF. #	DESCRIPTION	PART #	QTY.	REF. #	DESCRIPTION	PART #	QTY.	REF. #	DESCRIPTION	PART #	QTY.
1	Bolt	27-0067	14	25	Control Panel	62-0034	1	49	Spun Pan	850-0066	1
2	Lockwasher	29-0007	10	26	Screw	27-2930	6	50	Fuel Nozzle HS-3005-CMV2	18-0178	1
3	Flatwasher	28-0003	10	27	Hose *(Six Feet Required)	15-0033	1	-	Fuel Nozzle HS-3505-CMH1	18-0179	1
4	Bolt	27-0121	2	28	Hose Clamp	42-0003	2	51	Cable (Two Feet Required)	32-0065	1
5	Bolt	27-0117	10	29	Hose Barb	23-0036	2	52	Terminal	32-0098	2
6	Underbracket	20-0251A01	1	30	Bushing	23-0023	1	53	Isolation Plate	5-0071A01	1
7	Fule Tank Plate	20-0561A01	1	31	Elbow	23-0391	1	54	Washer	28-0003	10
8	Hex Nut	30-0004	2	32	Nut (See 22-0317)	N/A Sep.	1	55	Washer	28-0057	24
9	Plug	23-0296	2	33	Float Tank	12-0066	1	56	Vibration Pads	33-0028	4
10	Fuel Tank Assemby	12-0123A09	1	34	Float Tank Cap	39-0100	1	57	Bolt	27-0070	8
11	Fuel Pick Up Tube	33-0271	1	35	Float Valve	22-0317	1	58	Bolt	27-0071	4
12	Hose Barb	23-0299	1	36	Float Rod	31-3318	1	59	Lift Hook Assembly	20-0306A01	1
13	Hose Clamp	42-0004	7	37	Float Ball	22-0059	1	60	Side Rail Assembly	20-0305A01	2
14	Fuel Hose	15-0031	2	38	Nut	30-9506	1	61	Hose Barb	23-0051	1
15	Fuel Tank	12-0036	1	39	Washer	28-0051	2	62	Fuel Water Seperator Bracket	20-0563A01	1
16	Cap	12-0037	1	40	Terminal	32-0004	2	63	Elbow	23-0054	3
17	Skid Frame	5-0091A01	1	41	Wire *(One Foot Required)	32-0091	1	64	Fuel Tank Hold Down Strap	20-0562	2
18	Locknut	30-0159	9	42	Hose *(Three Feet Required)	15-0007	1	65	Fuel Water Seperator	19-0070	1
19	Skid Foot	20-0312A01	4	43	Hose Barb	23-0051	2	66	Replacement Bowl (w/ Water Seperator)	19-0071	1
20	Washer	28-0002	6	44	Burner	4-0009	1	67	Replacement Filter (w/ Water Seperator)	19-0053	1
21	Lockwasher	29-0006	6	45	Locknut	30-0157	32	68	Plug	24-0009	2
22	Bolt	27-0015	8	46	Washer	28-0022	10	69	Hose Clamp	42-0011	4
23	Bolt	27-9524	4	47	Cover	33-0017	1	*Must Order in One Foot Lengths			
24	Panel Brace	20-0259A01	1	48	Screw (See 4-0009)	N/A Sep.	4				

BURNER ASSEMBLY (4-0009)

OMGEN216-062795-JTR

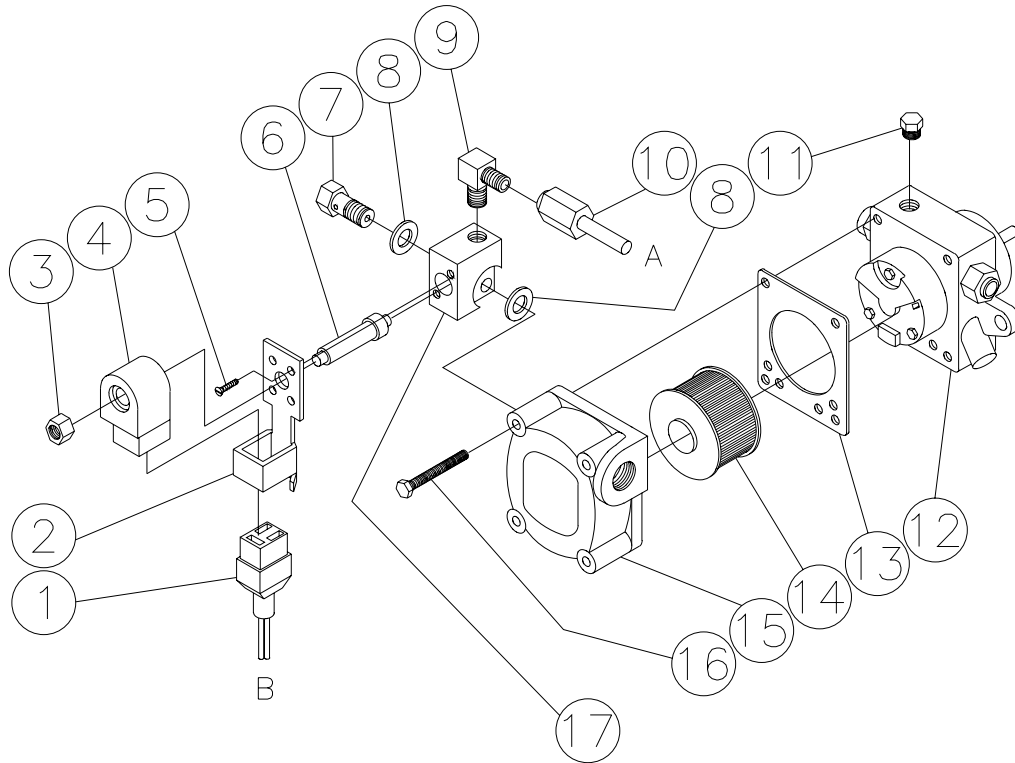


BURNER ASSEMBLY (4-0009)			
REF. #	DESCRIPTION	PART #	QTY.
1	Head	44-0010	1
2	Mounting Gasket	26-0062	1
3	Flange	38-0030	1
4	Gasket	26-0138	1
5	Oil Nozzle for HS-3005-CMV2	18-0178	1
-	Oil Nozzle for HS-3505-CMH1	18-0175	1
6	Nozzle Line Assembly (Includes 7, 8)	44-0043	1
7	Electrode Kit	70-0076	1
8	Bulkhead Fitting	70-0075	1
9	Burner Housing	44-0033	1
10	Escutcheon Plate	44-0031	1
11	Fuel Line	44-0026	1
12	Fuel Pump	3-0020	1
13	Fuel Solenoid (120V)	44-0038	1
14	Coupler	44-0014	1
15	Blower Wheel	44-0071	1
16	Motor (120V)	2-0068	1
17	Ignition Transformer (120V)	44-0017	1
	Complete Burner Assembly (Inc. 1-17)	4-0009	

OMGEN216-062795-JTR

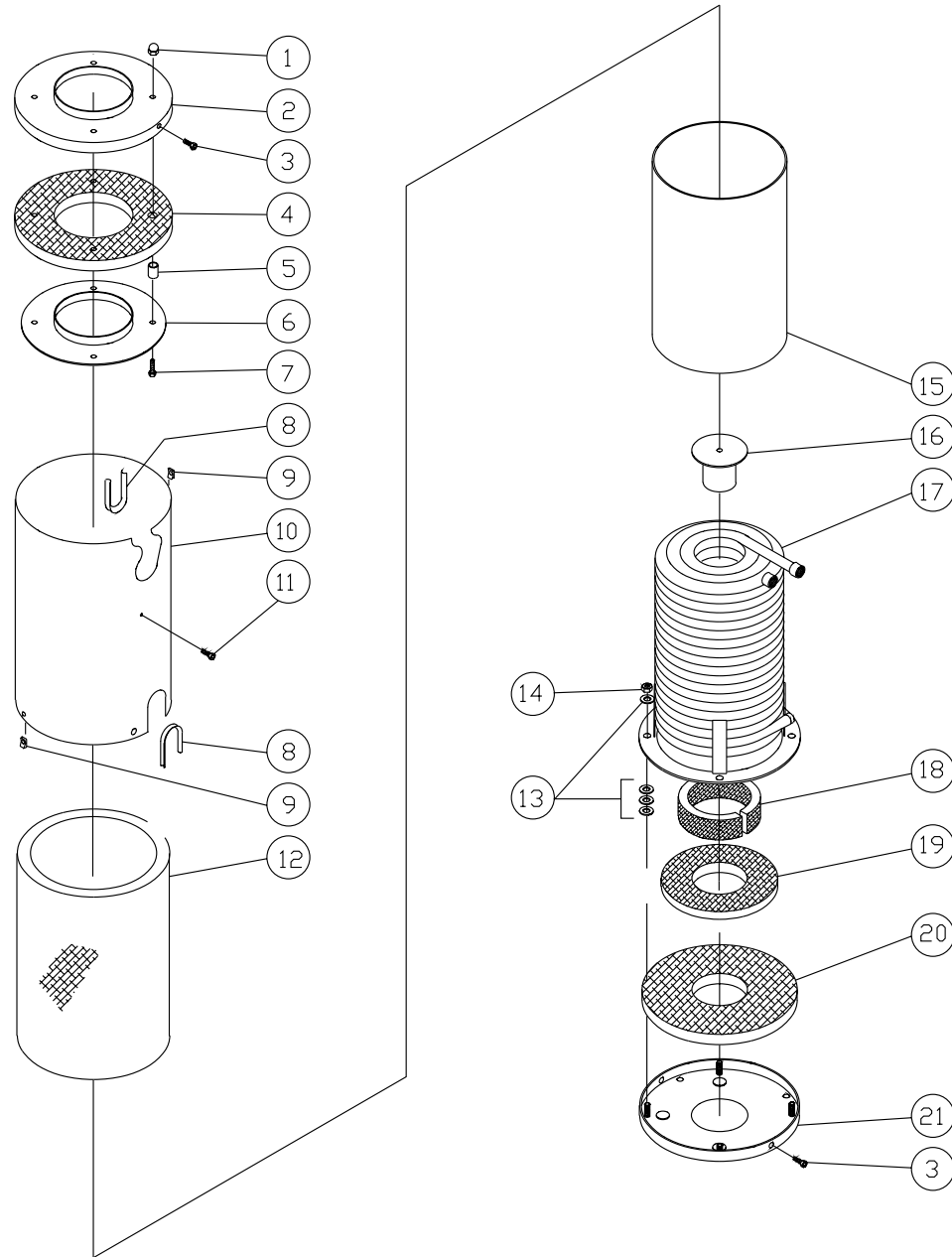
FUEL PUMP (3-0020) & SOLENOID (44-0038) ASSEMBLY

OMGEN220b-080795-JTR



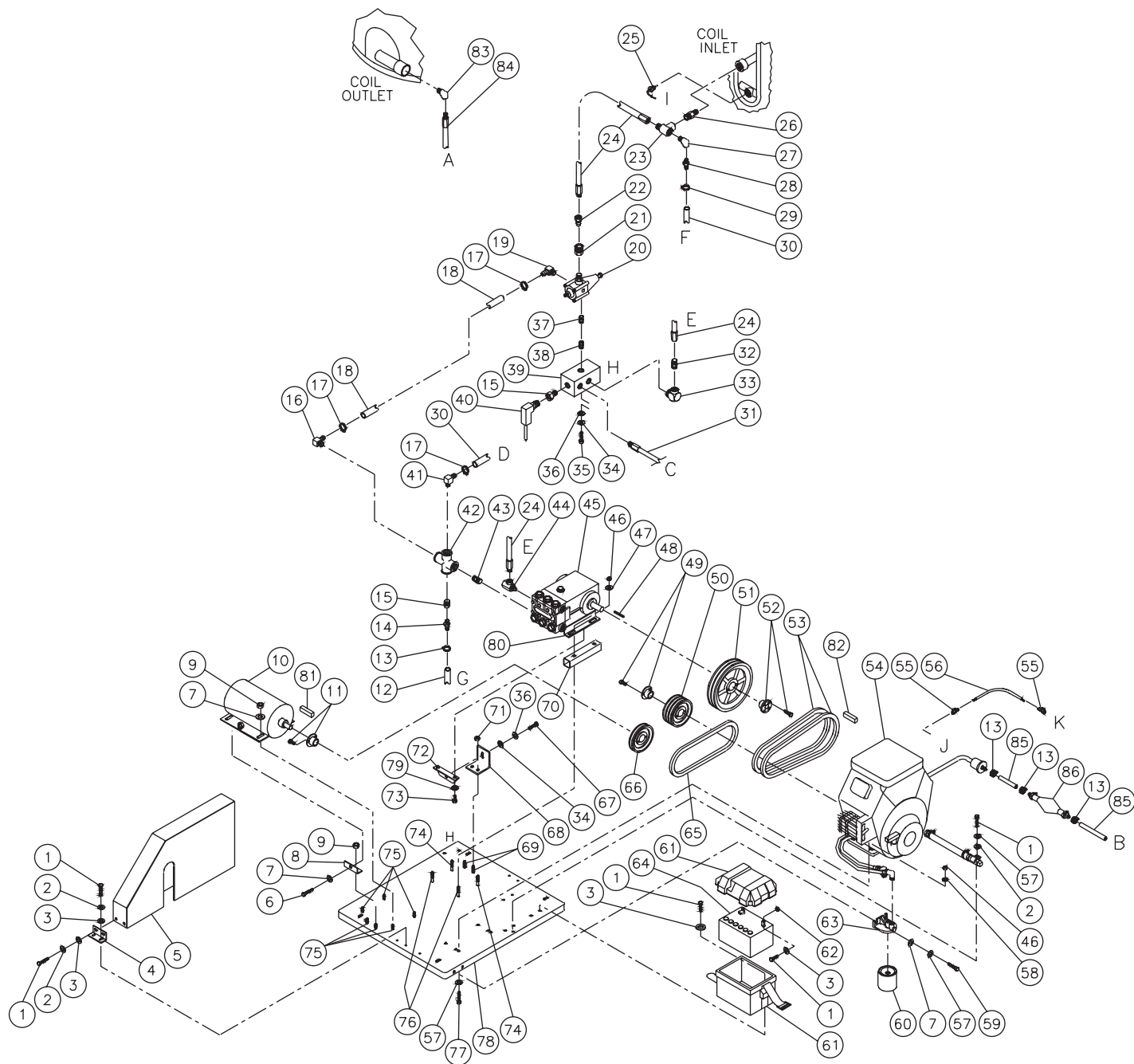
FUEL PUMP (3-0020) & SOLENOID (44-0038) ASSEMBLY			
REF. #	DESCRIPTION	PART #	QTY.
1	Cord-Din Connector	46-1017	1
2	Base Plate	N/A	1
3	Nut-Solenoid Piston	46-1016	1
4	Solenoid Coil (120V)	44-0002	1
5	Screw	N/A	2
6	Piston	46-1012	1
7	Bolt-Solenoid Adapter	46-1009	1
8	Washer	26-0150	2
9	Elbow	23-0083	1
10	Fuel Line	44-0025	1
11	Plug	24-0082	1
12	Fuel Pump Body	N/A	1
13	Cover Gasket	26-0109	1
14	Strainer-Fuel Pump	19-0034	1
15	Cover-Fuel Pump	46-1005	1
16	Screw-Fuel Pump Cover	46-1006	4
17	Solenoid Body	N/A	1
	Fuel Solenoid (120V) (Inc. 1-8, 17)	44-0038	1
	Fuel Pump (Inc. 11-16)	3-0020	1

BOILER ASSEMBLY



BOILER ASSEMBLY			
REF. #	DESCRIPTION	PART #	QTY.
1	Nut	30-5204	4
2	Dome	20-0234A01	1
3	Screw	27-2930	7
4	Insulation Donut	33-0124	1
5	Spacer	21-0082	4
6	Dome Insulation Retainer	20-0282	1
7	Bolt	27-0068	4
8	Edging *(Two Feet Required)	33-0020	1
9	Nut / U-Clip	30-2104	7
10	Outer Wrap Assembly (S.S.)	850-0091	1
11	Screw (Not used on HB-Units)	27-3262	2
12	Insulation Blanket	850-0065	1
13	Washer	28-0023	12
14	Nut	30-0109	3
15	Shell	850-0089	1
16	Target Assembly	20-0226	1
17	Coil Assembly	850-0106	1
18	Insulation Strip	850-0102	1
19	Insulation Donut	33-0123	1
20	Insulation Donut	33-0121	1
21	Pan	850-0066	1
*Must Order in One Foot Lengths			

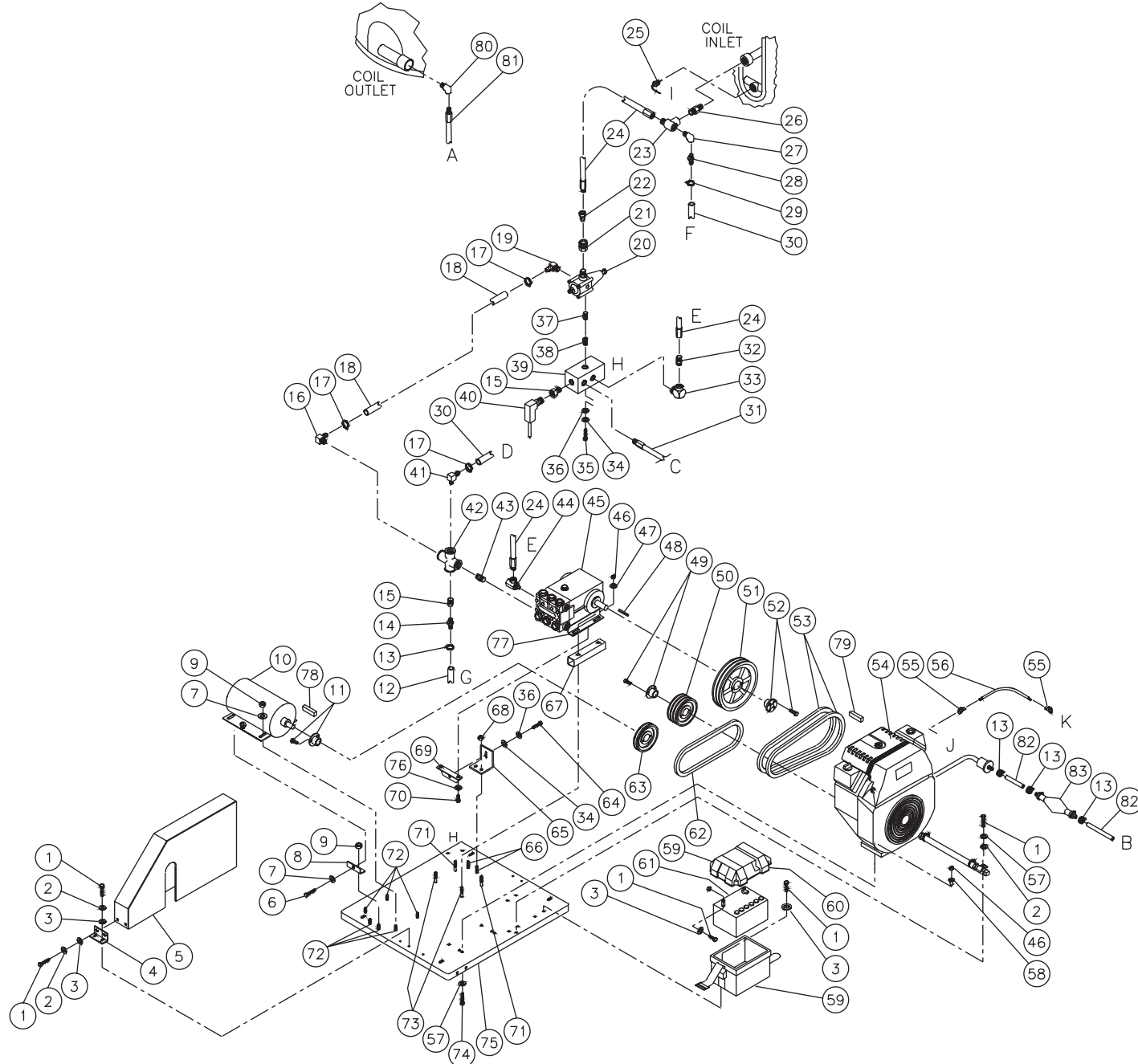
MOTOR/ PUMP ASSEMBLY FOR HS-3005-CMV2



OMHS040-072000-BAR

MOTOR/PUMP ASSEMBLY FOR HS-3005-CMV2											
REF. #	DESCRIPTION	PART #	QTY.	REF. #	DESCRIPTION	PART #	QTY.	REF. #	DESCRIPTION	PART #	QTY.
1	Bolt	27-0015	13	41	Elbow	23-0037	1	55	Terminal	32-0098	2
2	Lockwasher	29-0006	9	42	Cross	23-0071	1	56	Cable *(Two Feet Required)	32-0065	1
3	Washer	28-0002	12	43	Nipple	23-0012	1	57	Lockwasher	29-0007	2
4	Bracket Tightener	13-0084A01	2	44	Elbow	24-0057	1	58	Washer	28-0005	8
5	Belt Guard	6-0040A01	1	45	Pump	3-0202	1	59	Bolt	27-0067	2
6	Bolt	27-0526	1	46	Locknut	30-0161	8	60	Oil Filter (Replacement Only)	19-0072	-
7	Washer	28-0003	4	47	Washer	28-0030	4	61	Battery Box	33-0092	1
8	Angle Tightener	20-0220A01	1	48	Pump Key	43-0048	1	62	Locknut	30-0155	2
9	Locknut	30-0157	6	49	Engine Bushing	9-0005	1	63	Oil Filter Adaptor	45-0022	1
10	Generator	850-0096	1	50	Engine Sheave	10-0011	1	64	Battery	32-0058	1
11	Bushing	9-0037	1	51	Pump Sheave	10-0040	1	65	Belt	11-0033	1
12	Hose *(Four Feet Required)	15-0079	1	52	Bushing	9-0017	1	66	Sheave	10-0049	1
13	Hose Clamp	42-0004	6	53	Belt	11-0008	2	67	Bolt	27-0576	1
14	Hose Barb	23-0051	1	54	Engine Assembly	850-0280	1	68	Brace Tightener	20-0241A01	1
15	Reducer	23-0056	2	-	Plug	24-0034	1	69	Bolt	27-0117	2
16	Elbow	23-0053	2	-	Coupler	850-0100	1	70	Pump Mount	20-0219A01	2
17	Hose Clamp	42-0011	3	-	Barb	23-0073	1	71	Locknut	30-0159	2
18	Hose *(Two Feet Required)	15-0007	1	-	Worm Clamp	42-0004	2	72	Angle Tightener	13-0050A01	1
19	Elbow	23-0050	1	-	Hose *(One Foot Required)	15-0020	1	73	Bolt	27-8471	2
20	Unloader	8-0013	1	-	Barb	23-0069	1	74	Bolt	27-0176	2
21	Quick Connect Socket	17-0004	1	-	Elbow	24-0004	1	75	Bolt	27-0066	6
22	Quick Connect Plug	17-0006	1	-	Engine- 16 HP Vanguard	1-0105	1	76	Bolt	27-0178	2
23	Tee	23-0058	1	-	Terminal Ring	32-0099	1	77	Bolt	27-0170	4
24	Hose Assembly	15-0015	2	-	Screw	27-3062	5	78	Base Plate	15-0071A01	1
25	Thermoprobe	22-0118	1	-	Exhaust Guard	6-0065	1	79	Washer	29-0055	1
26	Nipple	24-0024	1	-	Washer	28-0003	1	80	Pump Rails	46-0066	1
27	Elbow	24-0004	1	-	Nut	30-0004	1	81	Generator Key	43-0073	1
28	Pop Off**	22-0046	1	-	Hose *(One Foot Required)	15-0021	1	82	Engine Key	43-0078	1
29	Hose Clamp	42-0003	1	-	Wire *(Two Feet Required)	32-0092	1	83	Elbow	24-0074	1
30	Hose *(Seven Feet Required)	15-0033	1	-	Terminal	32-0221	1	84	Hose	15-0071	1
31	Hose Assembly	15-0078	2	-	Remote Oil Filter Adapter	45-0021	1	85	Fuel Hose *(Two Feet Required)	15-0031	1
32	Nipple	24-0010	2	-	Elbow	23-0145	1	86	Primer Bulb	33-0040	1
33	Elbow	24-0105	1	-	Remote Oil Line	33-0141	1		*Must Order in One Foot Lengths		
34	Lockwasher	29-0008	3	-	Remote Oil Line	33-0140	1		**When Ordering, Please State Model of Machine for Pressure Setting		
35	Bolt	27-0116	2	-	Elbow	23-0144	1				
36	Washer	28-0022	3	-	Muffler Guard	6-0065	1				
37	Nipple	24-0002	1	-	Connector	23-0146	1				
38	Swivel	24-0037	1	-	Elbow	23-0143	1				
39	Unloader Manifold	51-0010	1	-	Elbow	23-0014	1				
40	Pressure Switch Assembly	22-0243	1	-	Remote Oil Filter Adapter	45-0022	1				

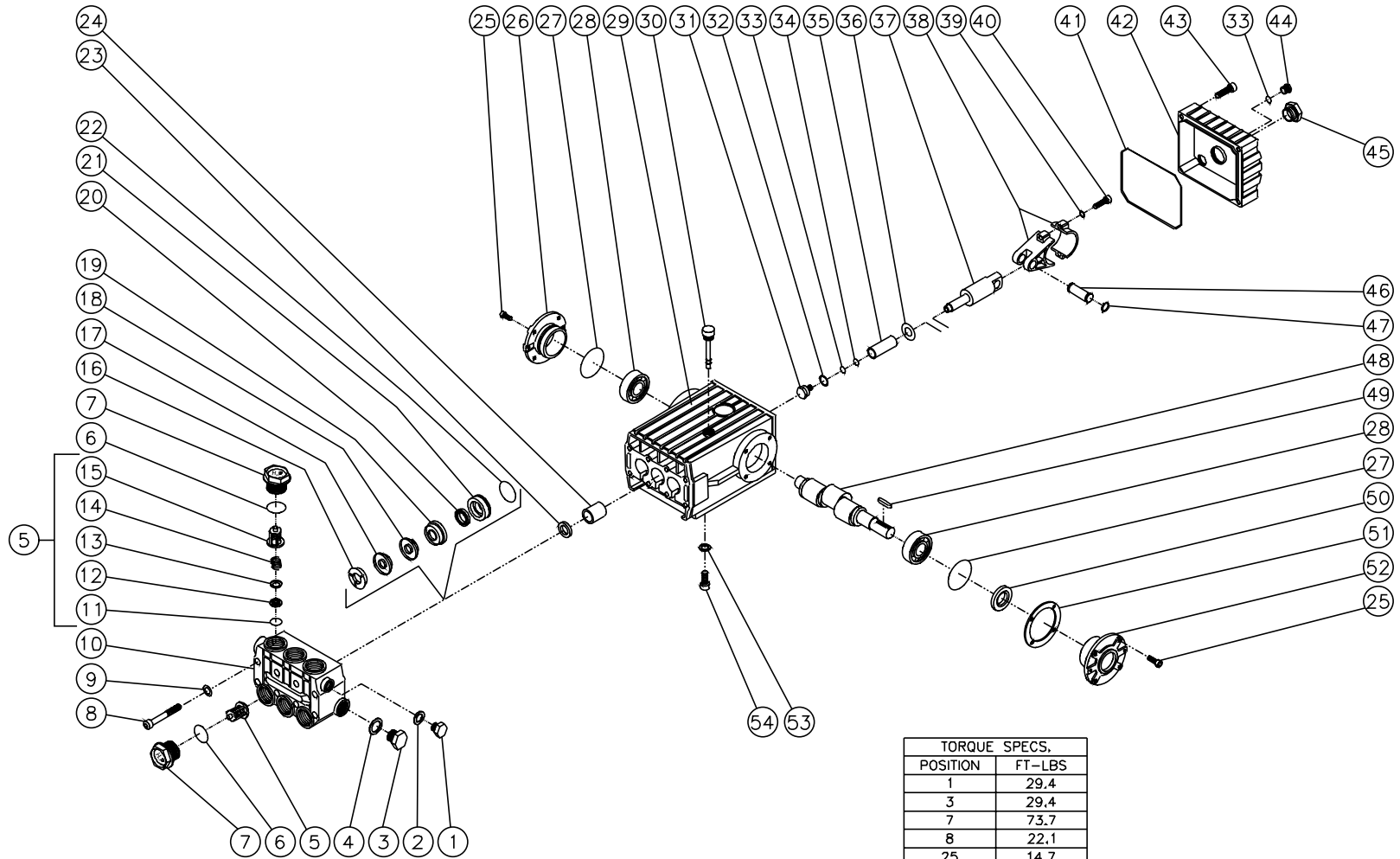
MOTOR/ PUMP ASSEMBLY FOR HS-3505-CMH1



OMHS043-031501-MJS

MOTOR/PUMP ASSEMBLY FOR HS-3505-CMH1											
REF. #	DESCRIPTION	PART #	QTY.	REF. #	DESCRIPTION	PART #	QTY.	REF. #	DESCRIPTION	PART #	QTY.
1	Bolt	27-0015	11	35	Bolt	27-0116	2	56	Cable *(One Foot Required)	32-0065	1
2	Lockwasher	29-0006	9	36	Washer	28-0022	3	57	Washer	28-0022	4
3	Washer	28-0002	10	37	Nipple	24-0002	1	58	Engine Shim	33-0169	4
4	Bracket Tightener	13-0084A01	2	38	Swivel	24-0037	1	59	Battery Box	33-0092	1
5	Belt Guard	6-0040A01	1	39	Unloader Manifold	51-0010	1	60	Locknut	30-0155	2
6	Bolt	27-0526	1	40	Pressure Switch Assembly	22-0243	1	61	Battery	32-0058	1
7	Washer	28-0003	2	41	Elbow	23-0037	1	62	Belt	11-0048	1
8	Angle Tightener	20-0220A01	1	42	Cross	23-0071	1	63	Sheave	10-0028	1
9	Locknut	30-0157	6	43	Nipple	23-0012	1	64	Bolt	27-0576	1
10	Generator	850-0096	1	44	Elbow	24-0057	1	65	Brace Tightener	20-0241A01	1
11	Bushing	9-0037	1	45	Pump	3-0202	1	66	Bolt	27-0117	2
12	Hose *(Four Feet Required)	15-0079	1	46	Locknut	30-0161	4	67	Pump Mount	20-0219A01	2
13	Hose Clamp	42-0004	6	47	Washer	28-0030	4	68	Locknut	30-0159	2
14	Hose Barb	23-0051	1	48	Pump Key	43-0048	1	69	Angle Tightener	13-0050A01	1
15	Reducer	23-0056	2	49	Engine Bushing	9-0005	1	70	Bolt	27-8471	2
16	Elbow	23-0053	2	50	Enging Sheave	10-0061	1	71	Bolt	27-0176	2
17	Hose Clamp	42-0011	3	51	Pump Sheave	10-0037	1	72	Bolt	27-0066	6
18	Hose *(Two Feet Required)	15-0007	1	52	Bushing	9-0017	1	73	Bolt	27-0178	2
19	Elbow	23-0050	1	53	Belt	11-0052	2	74	Bolt	27-0170	4
20	Unloader	8-0013	1	54	Engine Assembly	850-0281	1	75	Base Plate	15-0071A01	1
21	Quick Connect Socket	17-0004	1	-	Engine- 20 HP Honda	1-0125	1	76	Washer	29-0055	1
22	Quick Connect Plug	17-0006	1	-	Hose *(One Foot Required)	15-0020	1	77	Pump Rails	46-0066	1
23	Tee	23-0058	1	-	Hose Barb	23-0069	1	78	Key - Generator	43-0073	1
24	Hose Assembly	15-0015	2	-	Hose Barb	23-0073	1	79	Key - Engine	43-0078	1
25	Thermoprobe	22-0118	1	-	Oil Drain Adapter	23-0380	1	80	Elbow	24-0074	1
26	Nipple	24-0024	1	-	Plug	24-0034	1	81	Hose	15-0071	1
27	Elbow	24-0004	1	-	Coupling	24-0039	1	82	Fuel Hose *(Two Feet Required)	15-0031	1
28	Relief Valve	22-0273	1	-	Clamp Worm	42-0011	1	83	Primer Bulb	33-0040	1
29	Worm Clamp	42-0003	1	-	Clamp	42-0015	1	84	Locknut	30-0157	4
30	Hose *(Seven Feet Required)	15-0033	1	-	Key	43-0078	1	*Must Order in One Foot Lengths			
31	Hose Assembly	15-0078	2	-	Muffler Mount	45-0070	1	**When Ordering, Please State Model of Machine for Pressure Setting			
32	Nipple	24-0010	2	-	Exhaust Deflector	45-0081	1				
33	Elbow	24-0105	1	-	Exhaust Deflector Clamp	45-0082	1				
34	Lockwasher	29-0008	3	55	Terminal	32-0098	2				

PUMP ASSEMBLY (3-0202)



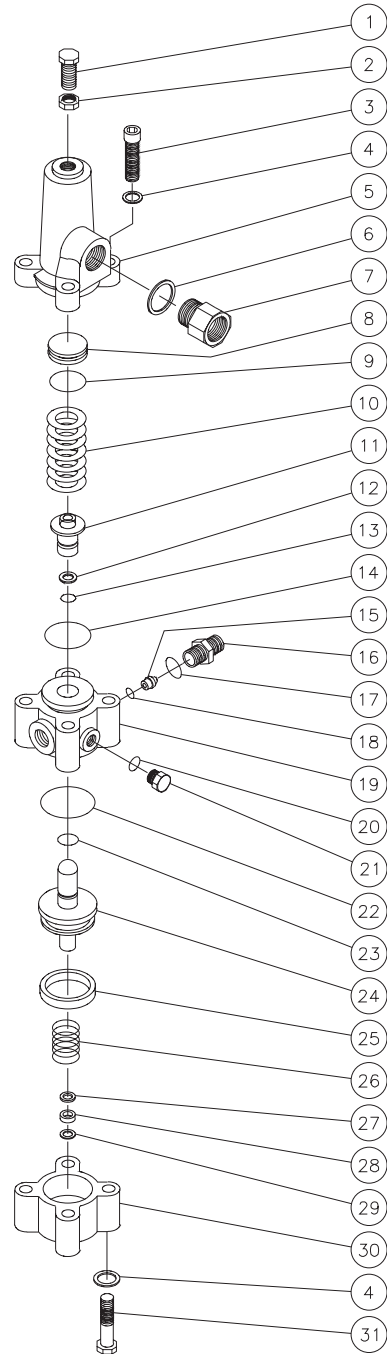
TORQUE SPECS.	
POSITION	FT-LBS
1	29.4
3	29.4
7	73.7
8	22.1
25	14.7
31	14.7
40	14.7
43	7.3
44	14.7
45	14.7
54	29.4

3-0202-092001-EDW

PUMP ASSEMBLY (3-0202)

REF. #	DESCRIPTION	PART #	QTY.	REF. #	DESCRIPTION	PART #	QTY.	REF. #	DESCRIPTION	PART #	QTY.
1	Plug	39-0018	1	21	Low Pressure Seal Retainer	46-0887	3	41	O-ring Cover	25-0339	1
2	Washer	28-1002	1	22	O-ring	25-0015	3	42	Crankcase Cover	46-0295	1
3	Plug	39-0019	1	23	Oil Seal	26-0047	3	43	Bolt	27-8404	5
4	Washer	28-1038	1	24	Bushing	9-0029	3	44	Plug	39-0017	1
5	Valve Assembly (Inc. 11-15) (See 70-0009)	N/A Sep.	6	25	Bolt	27-8431	8	45	Oil Level Indicator	46-0114	1
6	O-ring	25-0012	6	26	Crankcase Cover	46-0336	1	46	Connecting Rod Pin	43-0032	3
7	Valve Plug	46-0889	6	27	O-ring	25-0013	2	47	Retaining Ring	46-0103	6
8	Bolt	27-8185	8	28	Bearing	48-0012	2	48	Crankshaft	46-0050	1
9	Flatwasher	28-1039	8	29	Crankcase	46-0292	1	49	Key	43-0048	1
10	Manifold	46-0890	1	30	Oil Dip Stick	46-0144	1	50	Oil Seal	26-0049	1
11	O-ring (See 70-0009)	N/A Sep.	6	31	Bolt	46-0069	3	51	Shim	46-0113	1
12	Valve Seat (See 70-0009)	N/A Sep.	6	32	Gasket	28-0400	3	52	Crankcase Open Cover	46-0296	1
13	Valve Plate (See 70-0009)	N/A Sep.	6	33	O-ring	25-0014	4	53	Lockwasher	29-0055	4
14	Valve Spring (See 70-0009)	N/A Sep.	6	34	Back-up Ring	46-0109	3	54	Bolt	27-8471	4
15	Valve Cage (See 70-0009)	N/A Sep.	6	35	Plunger	46-0052	3		Valve Assembly (6 each 5, 11-15)	70-0009	
16	High Pressure Head Ring (See 70-0030)	N/A Sep.	3	36	Washer	46-0146	3		Head Ring Kit (3 each 16)	70-0030	
17	High Pressure V-Packing (See 70-0299)	N/A Sep.	3	37	Piston Rod	46-0056	3		V-Packing Kit (3 each 17, 18, 20)	70-0299	
18	V-Packing Support (See 70-0299)	N/A Sep.	3	38	Connecting Rod	46-0051	3		Intermediate Retainer Kit (3 each 18, 19)	70-0148	
19	High Pressure Intermediate Seal Retainer	46-0659	3	39	Lockwasher	29-0154	6		Low Pressure Seal Kit (3 each 20-22)	70-0298	
20	Low Pressure Seal	46-0886	3	40	Bolt	27-8435	6		V-Packing Assembly (Inc. 16-22)	70-0300	

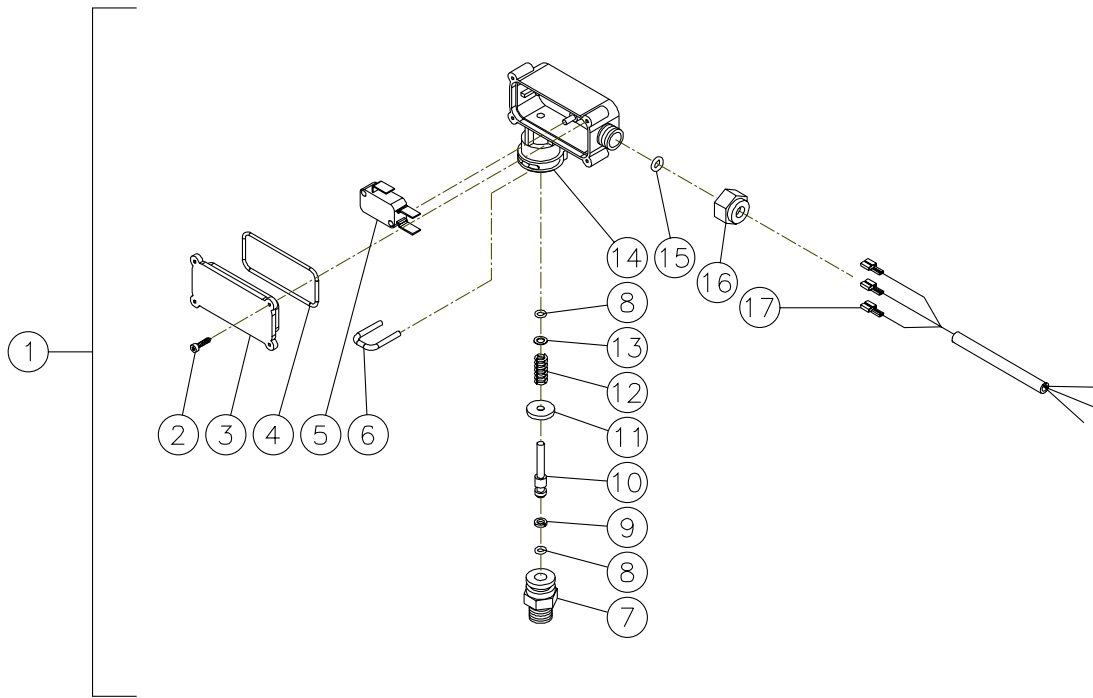
UNLOADER ASSEMBLY (8-0013)



UNLOADER ASSEMBLY (8-0013)							
REF. #	DESCRIPTION	PART #	QTY.	REF. #	DESCRIPTION	PART #	QTY.
1	Bolt	27-8077	1	18	O-ring	25-0119	1
2	Hex Nut	30-3010	1	19	Middle Body	8-0137	1
3	Bolt	27-8434	4	20	O-ring	25-0114	2
4	Lockwasher	29-0154	8	21	Hex Plug	39-0017	2
5	Upper Body	8-0138	1	22	O-ring	25-0056	1
6	Washer	8-0277	1	23	O-ring	25-0120	1
7	By-Pass Restrictor	8-0124	1	24	Piston Assembly	8-0136	1
8	Spring Guide	8-0135	1	25	Seal	26-0104	1
9	O-ring	25-0118	1	26	Spring	49-0027	1
10	Spring	49-0026	1	27	Washer	8-0139	1
11	Valve Seat	8-0145	1	28	Seal	26-0105	1
12	Back-up Ring	8-0141	1	29	Back-up Ring	8-0140	1
13	O-ring	25-0121	1	30	Lower Body	8-0134	1
14	O-ring	25-0117	1	31	Bolt	27-8037	4
15	Flow Balancer	8-0128	1		Unloader Repair Kit (Inc. 9, 11, 13, 14, 17, 18, 20, 22-26, 28, 29)	70-0013	
16	Nipple	8-0130	1		Unloader Orifice Kit (Inc. 7, 15, 16)	852-0015	
17	O-ring	25-0052	1				

PRESSURE SWITCH (22-0243)

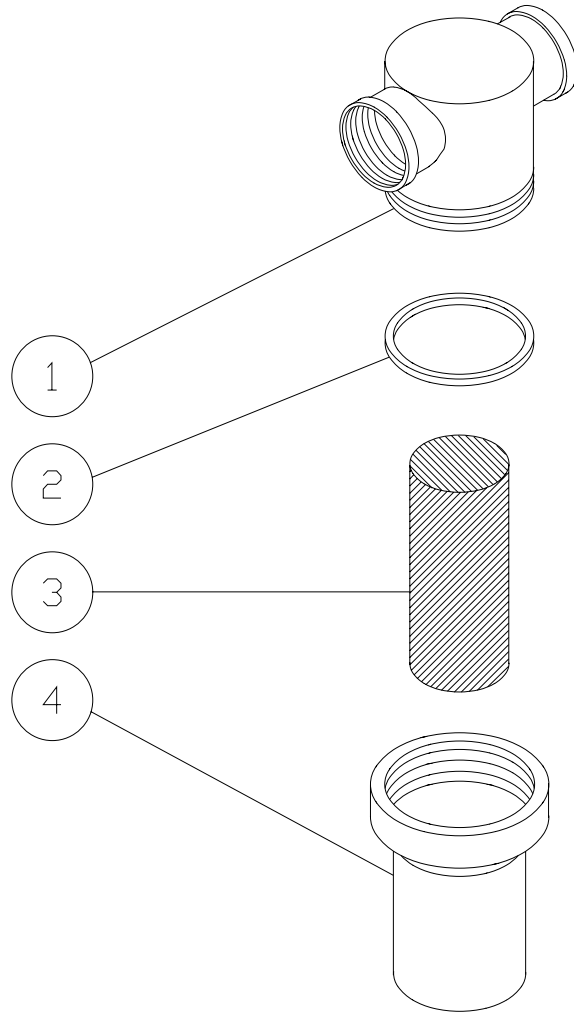
22-0243-120799-BAR



PRESSURE SWITCH (22-0243)			
REF. #	DESCRIPTION	PART #	QTY.
1	Pressure Switch	22-0243	1
2	Screw	N/A	4
3	Cover	N/A	1
4	O-ring (See 70-0306)	N/A Sep.	1
5	Micro Switch	N/A	1
6	Retainer Clip	N/A	1
7	Body	N/A	1
8	O-ring (See 70-0306)	N/A Sep.	2
9	Back-up Ring (See 70-0306)	N/A Sep.	1
10	Piston	N/A	1
11	Washer	N/A	1
12	Spring	49-0145	1
13	Washer	N/A	1
14	Plastic Housing	N/A	1
15	O-ring (See 70-0306)	N/A Sep.	1
16	Nut	N/A	1
17	Wire Assembly	N/A	1
	O-ring Repair Kit (Inc. 4, 8, 9, 15)	70-0306	

22-0174 & 22-0243-120799-BAR

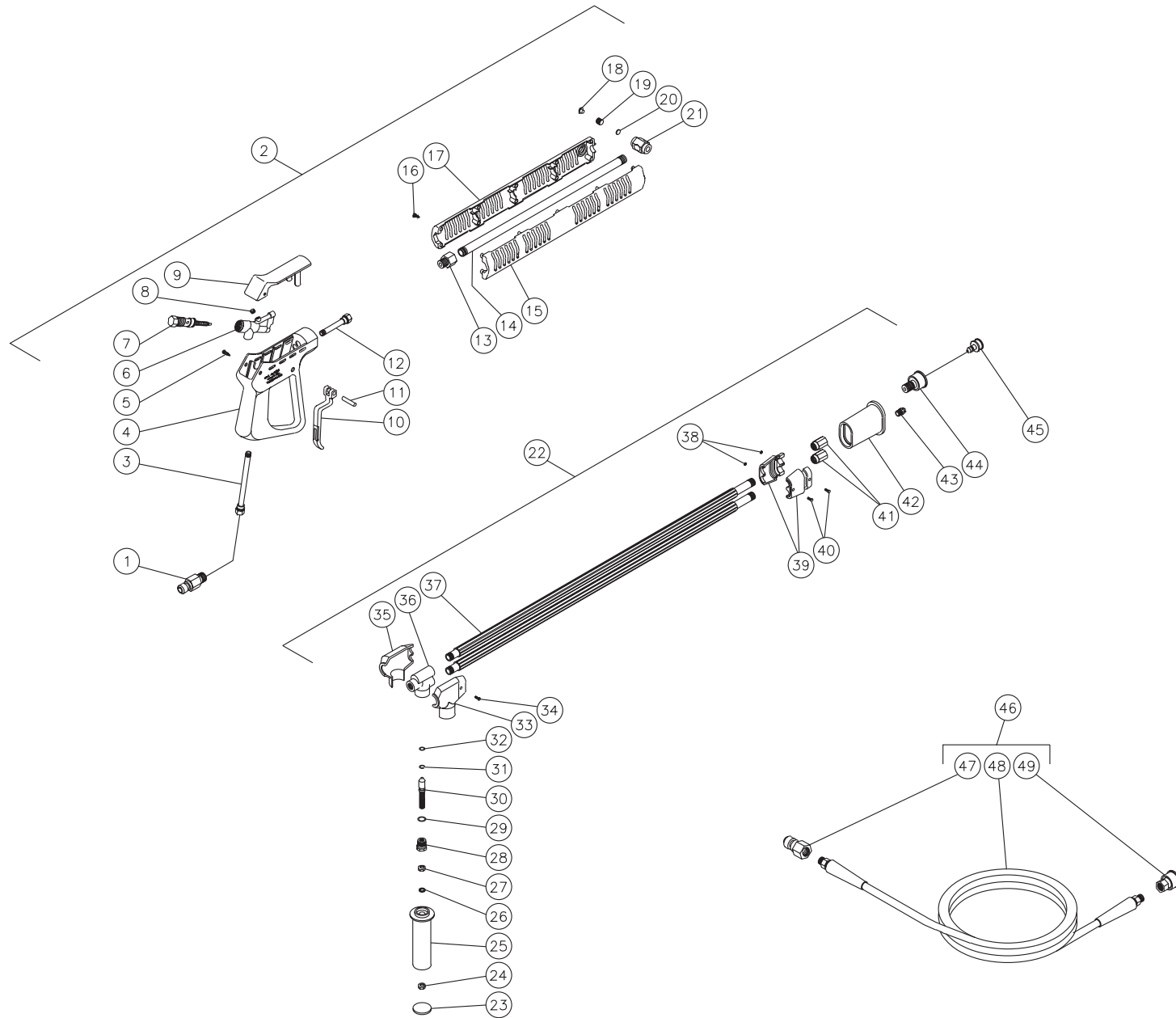
WATER STRAINER (19-0004)



OMGEN011-080595-JTR

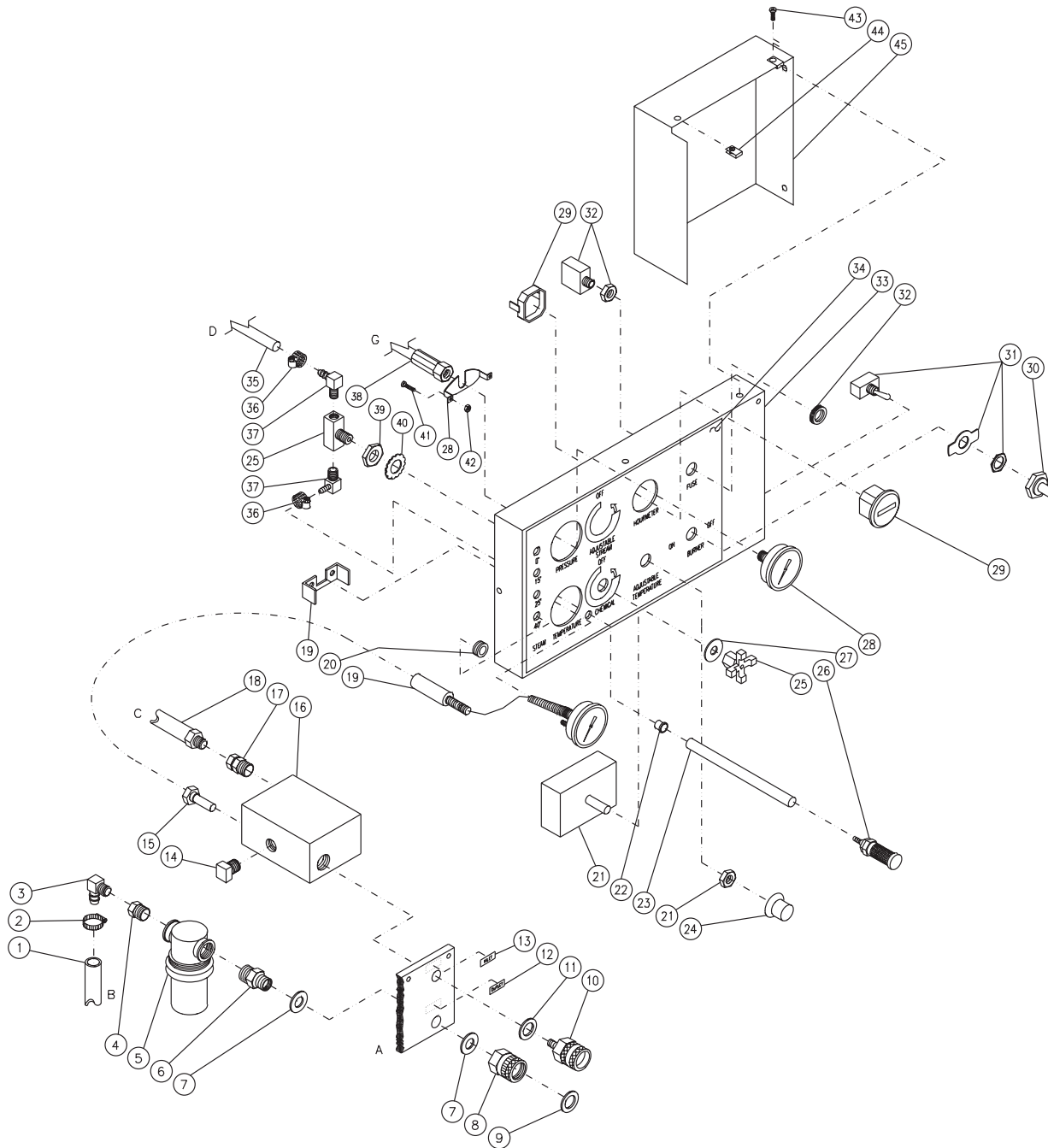
WATER STRAINER (19-0004)			
REF. #	DESCRIPTION	PART #	QTY.
1	Strainer Cap	19-0024	1
2	Strainer Gasket	26-0072	1
3	Strainer Screen	19-0015	1
4	Strainer Bowl	19-0025	1

GUN/WAND (850-0181) & DUAL LANCE (850-0178) ASSEMBLY



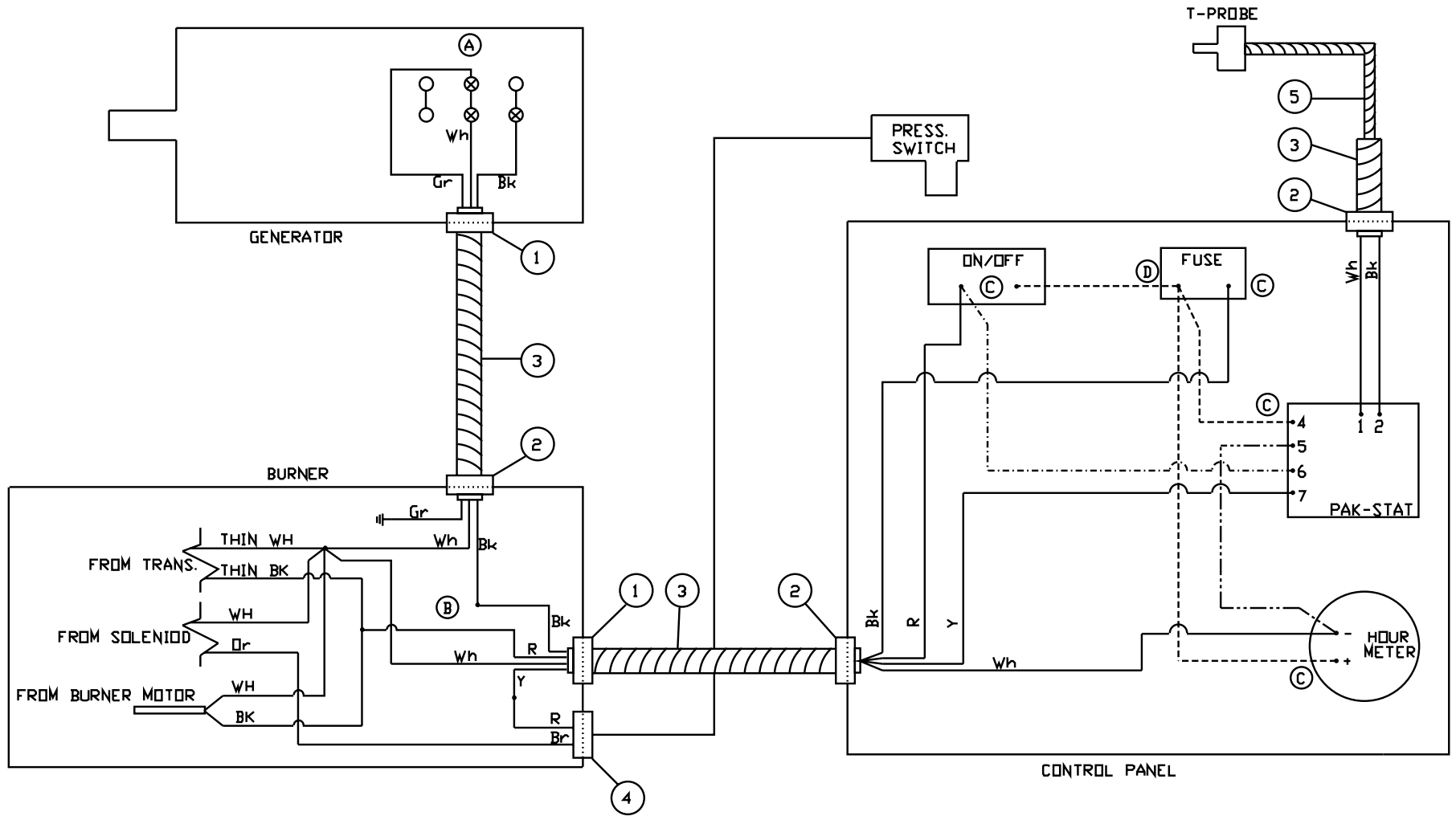
GUN/WAND (850-0181) & DUAL LANCE (850-0178) ASSEMBLY											
REF. #	DESCRIPTION	PART #	QTY.	REF. #	DESCRIPTION	PART #	QTY.	REF. #	DESCRIPTION	PART #	QTY.
1	Quick Connect Plug	17-0005	1	20	Spacer	16-0282	1	40	Screw	27-8861	2
2	Gun Assembly (Inc. 3-12)	16-0001	1	21	Lance Holder (See 850-0181)	N/A Sep.	1	41	Nipple	24-0127	2
3	Pipe Assembly	16-0016	1	22	Dual Lance Assembly (Inc. 23-44)	850-0178	1	42	Nozzle Protector	16-0319	1
4	Plastic Housing	16-0008	1	23	Handle Plug	16-0312	1	43	Detergent Nozzle	18-0110	1
5	Screw	27-3230	2	24	Hex Nut	30-3002	1	44	Quick Connect Socket	17-0028	1
6	Housing	16-0012	1	25	Handle	16-0313	1	45	Nozzle - 0005.5 for HS-3005-CMV2	18-0035	1
7	Gun Repair Kit	70-0055	1	26	Washer	28-1021	1	-	Nozzle - 1505.5 for HS-3005-CMV2	18-0041	1
8	Plug	39-0024	1	27	Hex Nut	30-3010	1	-	Nozzle - 2505 for HS-3005-CMV2	18-0153	1
9	Cover	16-0009	1	28	Hex Adaptor	23-0271	1	-	Nozzle - 4005.5 for HS-3005-CMV2	18-0132	1
10	Trigger Safety Lock-off	16-0010	1	29	O-ring	25-0351	1	-	Nozzle - 0005 for HS-3505-CMH1	18-0003	1
11	Trigger Pin	16-0063	1	30	Piston	16-0314	1	-	Nozzle - 1505 for HS-3505-CMH1	18-0004	1
12	Pipe Assembly	16-0013	1	31	Back-up Ring	25-0352	1	-	Nozzle - 2505 for HS-3505-CMH1	18-0153	1
	Lance Assembly (Inc. 13-21)	16-0306		32	O-ring	25-0353	1	-	Nozzle - 4005 for HS-3505-CMH1	18-0180	1
13	Adaptor	16-0283	1	33	Upper Protector	16-0315	1	46	Hose Assembly- 3000 PSI (Inc. 47-49)	851-0006	1
14	Pipe	16-0277	1	34	Screw	27-8862	1	47	Quick Connect Plug	17-0006	1
15	Guard Lance (Right Side)	16-0320	1	35	Lower Protector	16-0316	1	48	Hose	15-0004	1
16	Screw	27-8382	6	36	Body	23-0272	1	49	Quick Connect Socket	17-0004	1
17	Guard Lance (Left Side)	16-0321	1	37	Lance w/Protective Cover	16-0317	2		Gun/Lance Assembly (Includes 3-28)	850-0181	
18	Plug	39-0076	1	38	Hex Nut	30-3060	2		O-ring Kit (Includes 29, 31, 32)	70-0143	
19	Screw	49-0103	1	39	Pipe Clamp	16-0318	2				

CONTROL PANEL ASSEMBLY



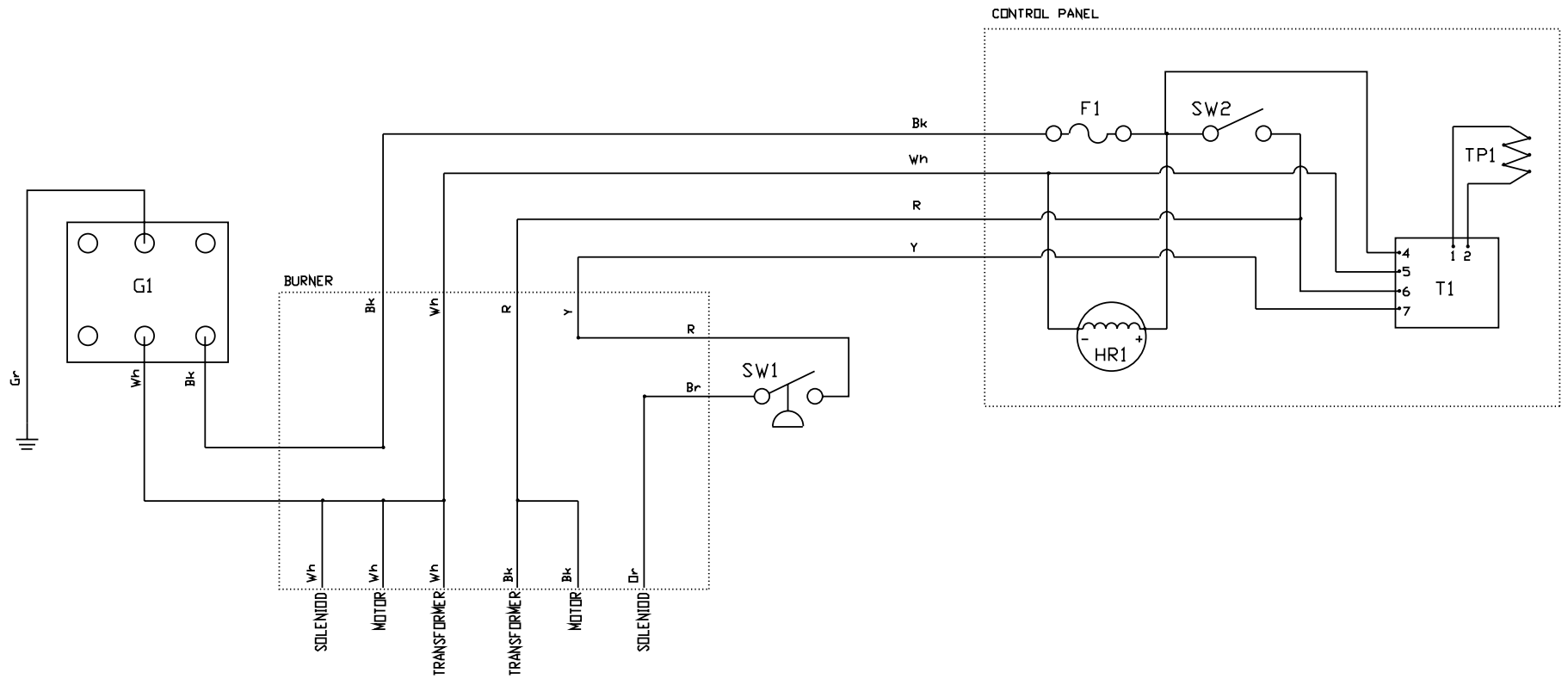
CONTROL PANEL ASSEMBLY							
REF. #	DESCRIPTION	PART #	QTY.	REF. #	DESCRIPTION	PART #	QTY.
1	Hose *(Two Feet Required)	15-0033	1	25	Needle Valve	22-0108	2
2	Hose Clamp	42-0003	1	26	Strainer Chemical	19-0050	1
3	Hose Barb Elbow	23-0037	1	27	Washer (See 70-0066)	N/A Sep.	2
4	Bushing	23-0023	1	28	Gauge	22-0073	1
5	Water Filter	19-0004	1	29	Hourmeter	32-0259	1
6	Nipple	23-0082	1	30	Toggle Switch Boot	33-0003	1
7	Washer	28-0051	2	31	Toggle Switch	22-0053	1
8	Garden Hose Swivel	23-0001	1	32	Fuse	32-0240	1
9	Garden Hose Gasket	26-0001	1	33	Panel	62-0034	1
10	Quick Connect Socket	17-0007	1	34	Decal	34-0221	1
11	Washer	28-0050	1	35	Hose *(Two Feet Required)	15-0079	1
12	Decal-Inlet	34-0237	1	36	Hose Clamp	42-0004	2
13	Decal-Outlet	34-0236	1	37	Elbow	23-0054	2
14	Plug	24-0009	1	38	Hose	15-0078	1
15	Thermowell Socket	23-0128	1	39	Nut (See 22-0073)	N/A Sep.	2
16	Outlet Manifold	56-0017	1	40	Lockwasher	29-0113	1
17	Connect	24-0049	1	41	Screw (See 22-0073)	N/A Sep.	2
18	Hose Assembly	15-0071	1	42	Hex Nut	30-0202	2
19	Thermometer	22-0098	1	43	Screw	27-2930	4
20	Grommet	33-0001	4	44	U-clip Nut	30-2104	4
21	Tempature Control	22-0117	1	45	Electrical Cover	62-0035	1
22	Bushing	9-0028	1		Valve Panel Kit (Inc. 27, 36)	70-0066	
23	Hose *(Six Feet Required)	15-0021	1	*Must Order in One Foot Lengths			
24	Thermostat Knob	7-0054	1				

WIRING SCHEMATIC

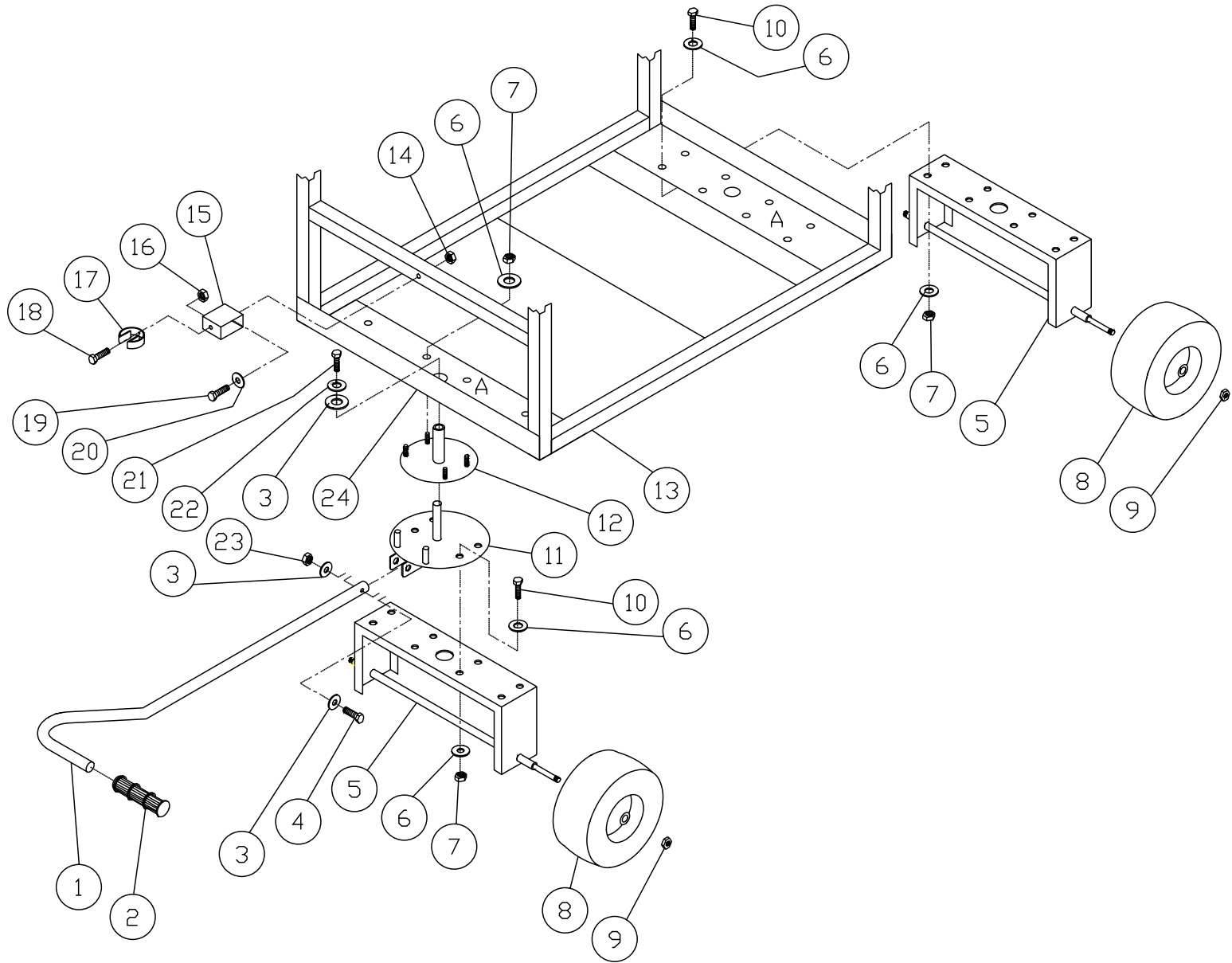


OMHS013S-070395-JTR

WIRING DIAGRAM



WHEEL KIT (AW-5540-0000)

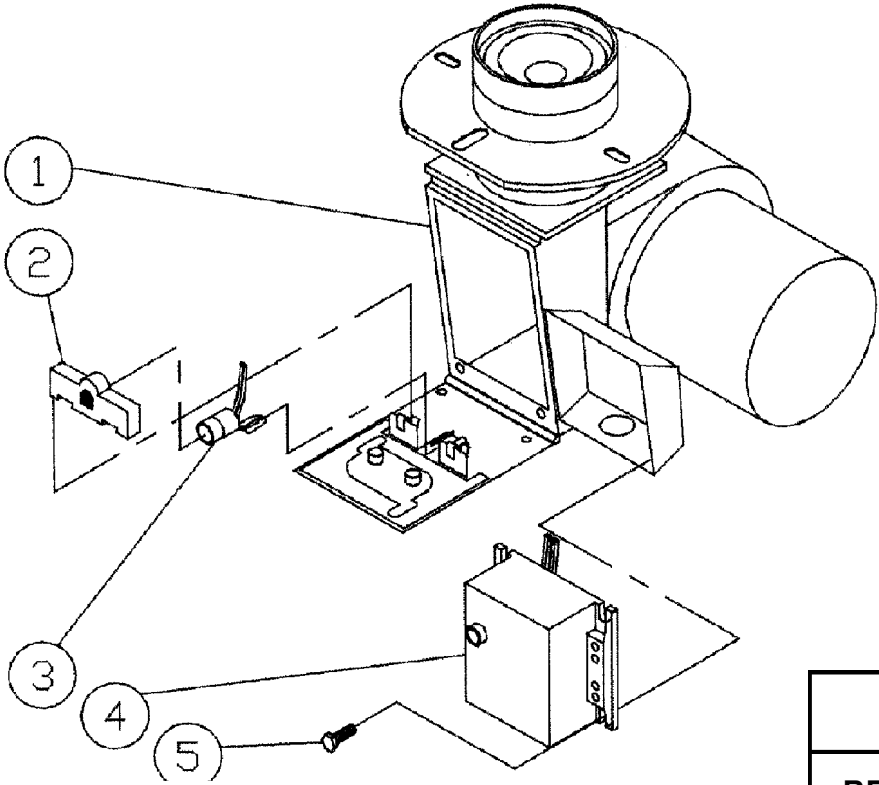


AW5540-102496-JTR

WHEEL KIT (AW-5540-0000)

REF. #	DESCRIPTION	PART #	QTY.	REF. #	DESCRIPTION	PART #	QTY.
1	Handle	20-0252	1	13	Frame	5-0092	1
2	Handle Grip	7-0059	1	14	Locknut	30-0155	1
3	Washer	28-0023	3	15	Brace	20-0253	1
4	Bolt	27-0121	1	16	Locknut	30-0154	1
5	Wheel Underbracket	20-0185	2	17	Gripper Clip	33-0104	1
6	Washer	28-0003	20	18	Screw	27-2930	1
7	Locknut	30-0157	12	19	Bolt	27-0015	1
8	Wheel	14-0006	4	20	Washer	28-0002	1
9	Jam Nut	30-0117	4	21	Bolt	27-0117	1
10	Bolt	27-0067	8	22	Lockwasher	29-0008	1
11	Turn Disk-Bottom Assembly	20-0249	1	23	Locknut	30-0159	1
12	Turn Disk-Top Assembly	20-0250	1	24	Underbracket	20-0251	1

CADIUM CELL (HX-0033)

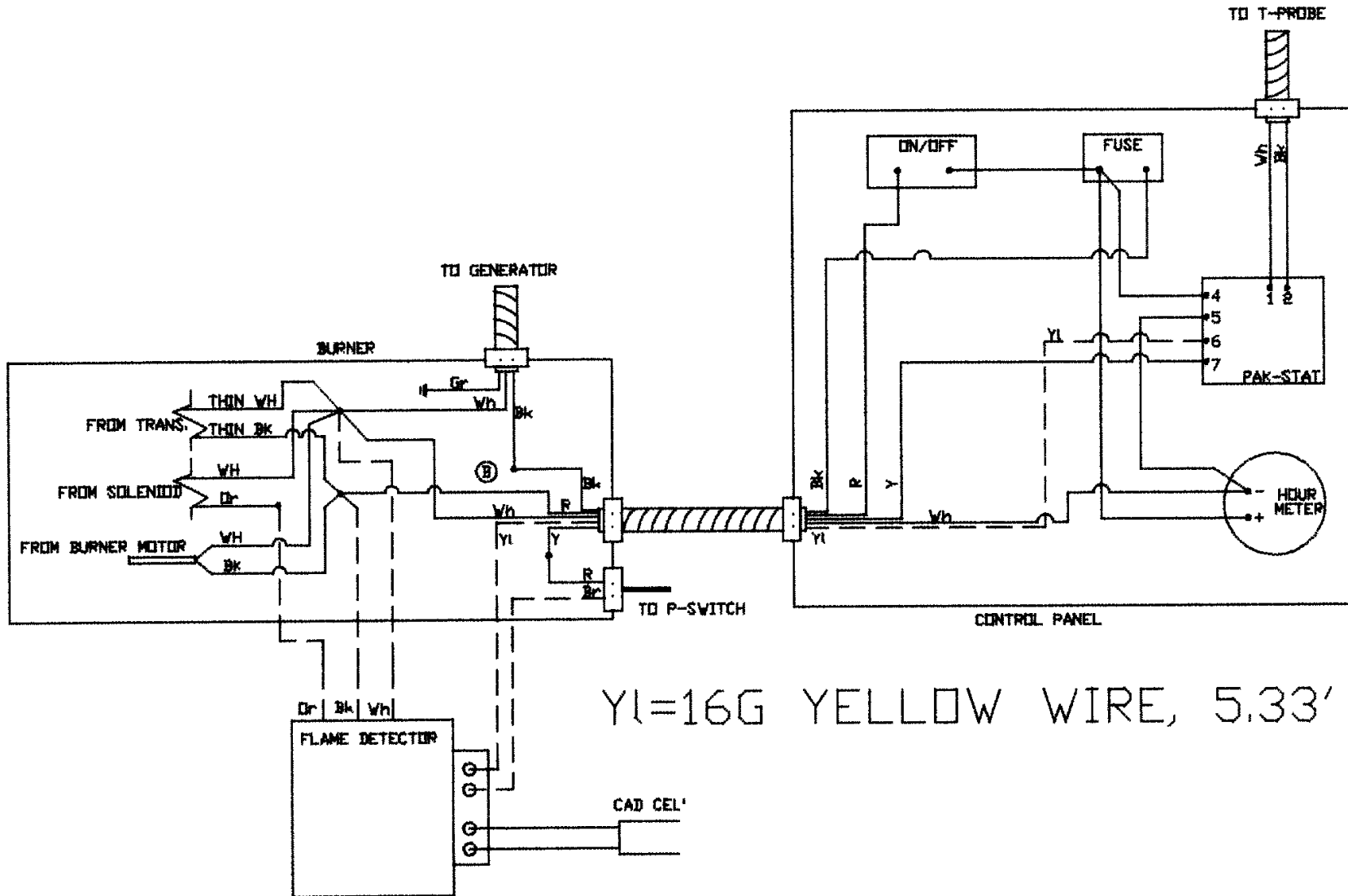


PDHX033-080595-JTR

CADIUM CELL (HX-0033)			
REF. #	DESCRIPTION	PART #	QTY.
1	Burner	4-0009	1
2	Pad	N/A	1
3	Cad Cell - Burner	44-0048	1
4	Flame Detector - 120 volts	44-0052	1
5	Screw	N/A	1

PDHX033-080598-JTR

WIRING DIAGRAM FOR CADMIUM CELL (HX-0033)



PDHX033-080598-JTR

