

Mi-T-M[®] CORPORATION

8650 Enterprise Drive, Peosta IA 52068
319-556-7484 / Fax 319-556-1235

PARTS LIST FOR HS-3005-CMK0/DMK0 HS-3006-DMK0 (AFTER SERIAL #19532)

Engine Oil Grade:	SAE10W-30	BTU Input:	
Engine Oil Capacity:		HS-3005-CMK0/DMK0:	453,600
HS-3005-CMK0/DMK0:	105 oz.	HS-3006-DMK0:	536,200
HS-3006-DMK0:	112 oz.	Pressure Nozzle Size:	
Pump Oil Capacity:	40.6 oz.	HS-3005-CMK0/DMK0:	5.5
Pump Oil Grade:	Mi-T-M #AW-4085-0016	HS-3006-DMK0:	6.5

This Parts Listing has been compiled for your benefit. You can be assured your Mi-T-M hot water pressure washer was constructed and designed with quality and performance in mind using over 25 years experience in the pressure washer business. Each component has been rigorously tested to insure the highest level of acceptance.

The contents of this Parts Listing are based on the latest product information available at the time of publication. Mi-T-M reserves the right to make changes in price, color, materials, equipment, specifications or models at any time without notice.

WARNING

THIS IS A PROFESSIONAL HIGH PRESSURE, HOT WATER PRESSURE WASHER. CAUTION SHOULD BE OBSERVED WHEN USING OR REPAIRING THIS UNIT! READ AND FOLLOW THE SAFETY WARNINGS LISTED BELOW BEFORE ATTEMPTING ANY REPAIRS ON THIS PRESSURE WASHER!

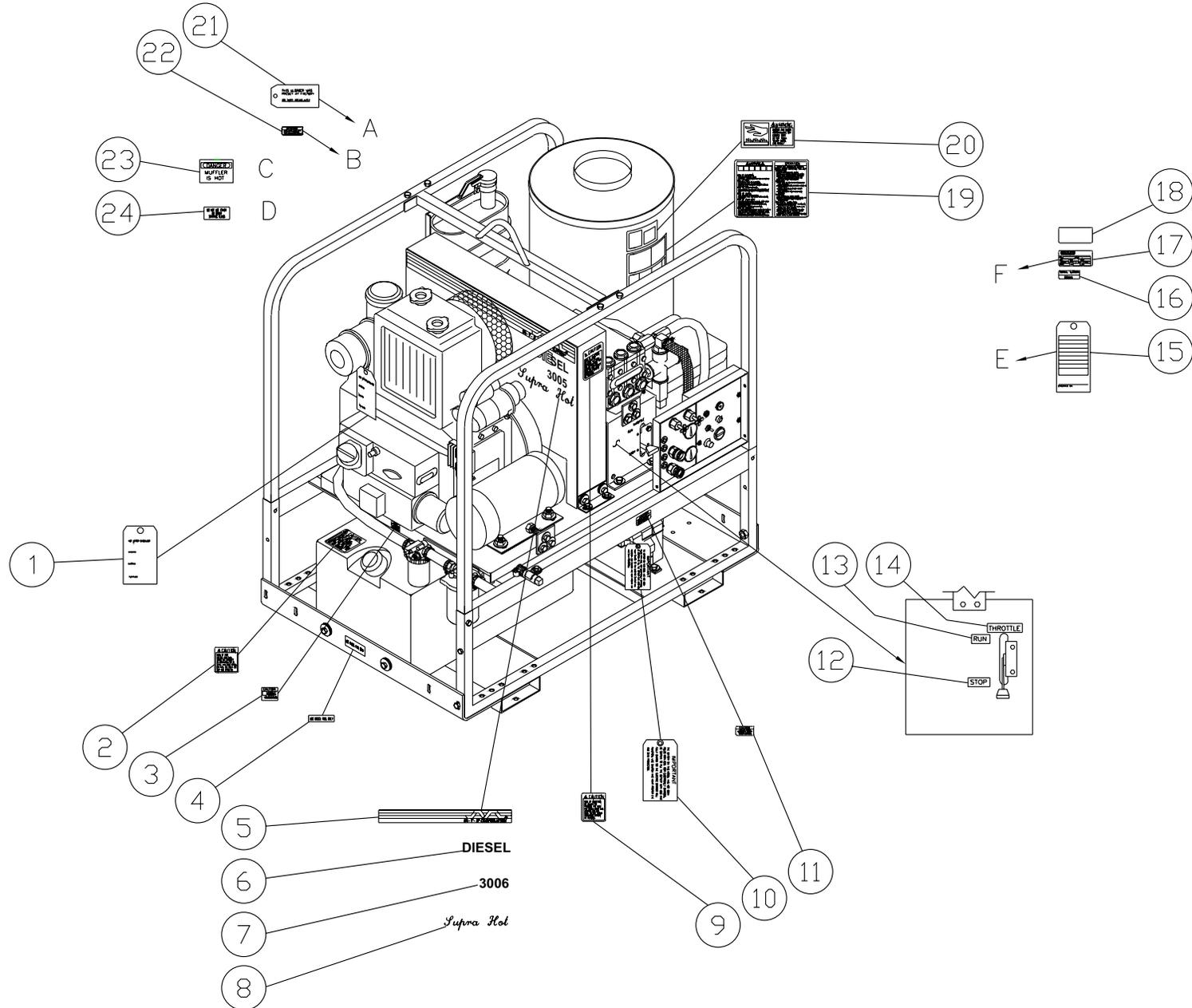
SAFETY WARNINGS

1. NEVER alter or modify the equipment. Be sure any accessory items and system components being used will withstand the pressure developed. Use only genuine Mi-T-M parts for repair of your pressure washer. Failure to do so can cause hazardous operating conditions and will VOID warranty.
2. NEVER make adjustments on machinery while the unit is connected to the engine without first removing the ignition cable from the spark plug. Turning over the machinery by hand during adjustment or cleaning might start the engine and machinery with it, causing serious injury to the operator.
3. Know how to stop and bleed pressures quickly. Be thoroughly familiar with controls.
4. Before servicing the unit, turn unit off, relieve the water pressure and allow the unit to cool down. Do not make repairs while the unit is running. Service in a clean, dry, flat area. Block the wheels to prevent the unit from moving. Be especially careful to properly dispose of any flammable materials.
5. After testing the machine, DO NOT leave the pressurized unit unattended. Shut off the unit and release trapped pressure before leaving.

Table of Contents

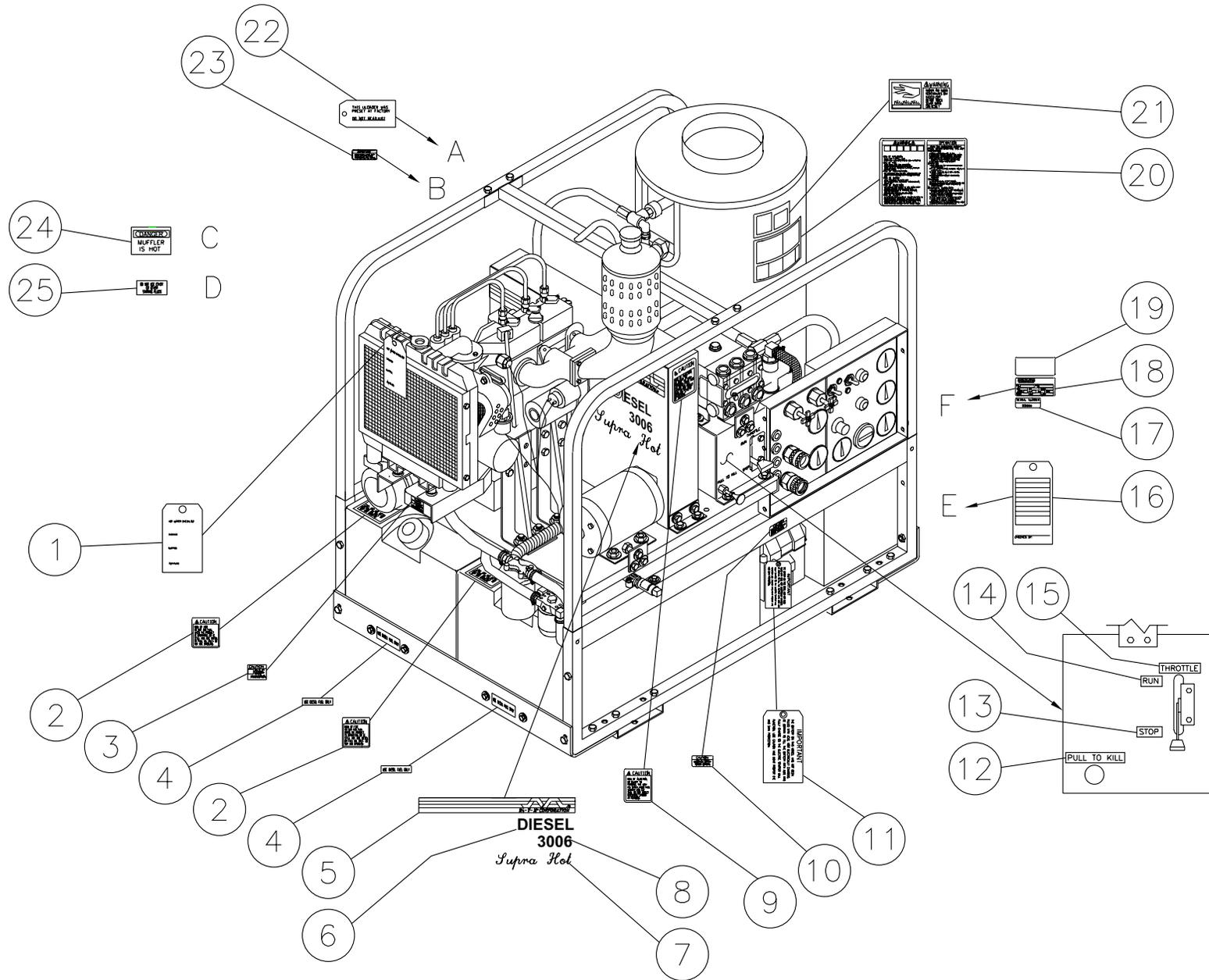
DECAL PLACEMENT FOR HS-3005-CMK0	4
DECAL PLACEMENT FOR HS-3005/3006-DMK0	6
FRAME ASSEMBLY FOR HS-3005-CMK0	8
FRAME ASSEMBLY FOR HS-3005/3006-DMK0	10
BURNER ASSEMBLY (4-0009)	12
FUEL PUMP (3-0020) & FUEL SOLENOID (44-0038) ASSEMBLY	13
BOILER ASSEMBLY	14
ENGINE AND PUMP ASSEMBLY FOR HS-3005-CMK0/DMK0	16
ENGINE AND PUMP ASSEMBLY FOR HS-3006-DMK0	18
PUMP ASSEMBLY (3-0012)	20
UNLOADER ASSEMBLY (8-0013 & 8-0014)	22
PRESSURE SWITCH (22-0243)	23
CONTROL PANEL FOR HS-3005-CMK0	24
CONTROL PANEL FOR HS-3005/3006-DMK0	26
WATER STRAINER (19-0004)	28
DETERGENT INJECTOR (850-0183)	29
GUN WAND (850-0181) & DUAL LANCE (850-0178 & 851-0006) ASSEMBLY	30
WIRING DIAGRAM FOR HS-3005-CMK0	32
WIRING SCHEMATIC FOR HS-3005-CMK0	34
WIRING DIAGRAM FOR HS-3005/3006-DMK0	36
WIRING SCHEMATIC FOR HS-3005/3006-DMK0	38
WHEEL KIT (AW-5540/5640-0000)	40
STEAM OPTION (HX-0017)	42
STEAM OPTION (HX-0017) WIRING DIAGRAM FOR HS-3005-CMK0	44
STEAM OPTION (HX-0017) WIRING SCHEMATIC FOR HS-3005-CMK0	46
STEAM OPTION (HX-0017) WIRING DIAGRAM FOR HS-3005/3006-DMK0	48
STEAM OPTION (HX-0017) SCHEMATIC DIAGRAM FOR HS-3005/3006-DMK0	50
CAD CELL ASSEMBLY	52
CAD CELL ASSEMBLY WIRING DIAGRAM FOR HS-3005-CMK0	54
CAD CELL ASSEMBLY WIRING DIAGRAM FOR HS-3005/3006-DMK0	55
CAD CELL/STEAM COMBINATION WIRING DIAGRAM FOR HS-3005-CMK0	56
CAD CELL/STEAM COMBINATION WIRING SCHEMATIC FOR HS-3005-CMK0	58
CAD CELL/STEAM COMBINATION WIRING DIAGRAM FOR HS-3005/3006-DMK0	60
CAD CELL/STEAM COMBINATION WIRING SCHEMATIC FOR HS-3005/3006-DMK0	62

DECAL PLACEMENT FOR HS-3005-CMK0



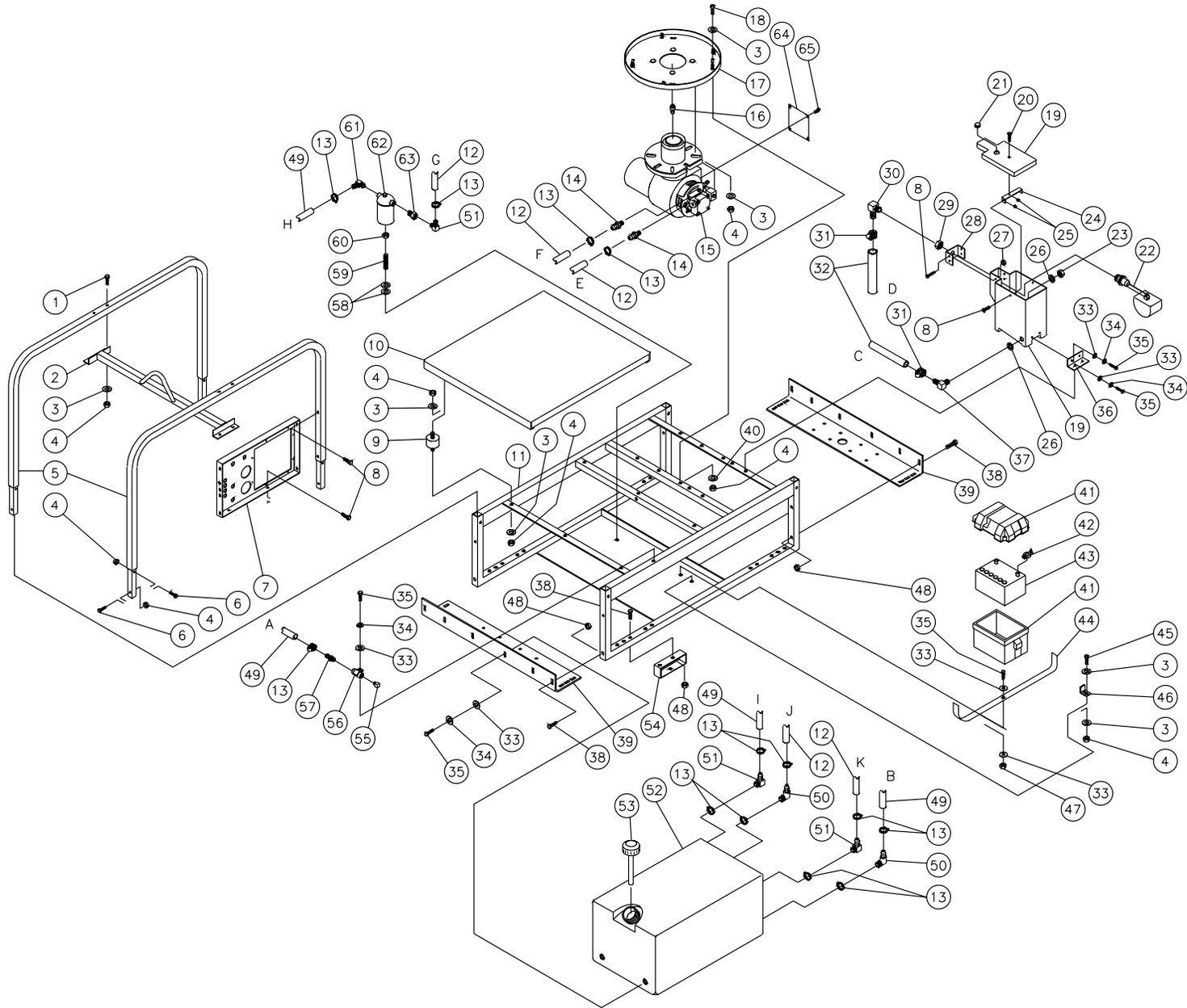
DECAL PLACEMENT FOR HS-3005-CMK0								
REF. #	DESCRIPTION	PART #	QTY.		REF. #	DESCRIPTION	PART #	QTY.
1	Tag- Control Checklist	34-0101	1		13	Decal- "Run" Position	34-0250	1
2	Decal- Caution: Risk of Fire	34-0284	2		14	Decal- Throttle	34-0215	1
3	Decal- Engine Fuel	34-0588	1		15	Tag- Burner Checklist	34-0098	1
4	Decal- Diesel Only	34-0089	2		16	Decal- Data Plate	N/A	1
5	Decal- Beltguard	34-0001	1		17	Decal- Silver Sticker	N/A	1
6	Decal- Diesel Die Cut	34-0046	1		18	Decal- Clear Laminate	N/A	1
7	Decal- Die Cut 3005	34-0039	1		19	Decal- Warning/Caution	34-0288	1
8	Decal- Supra Hot Name	34-0212	1		20	Decal- Warning: Burner & Guard	34-0282	1
9	Decal- Caution: Risk of Injection	34-0283	1		21	Tag- Preset Unloader	34-0099	1
10	Tag- Battery	34-0096	1		22	Decal- Pump Instructions	34-0128	1
11	Decal- Caution: Battery Terminal	34-0589	1		23	Decal- Danger: Muffler	34-0078	1
12	Decal- "Stop" Position	34-0249	1		24	Decal- Do Not Use Ether	34-0141	1

DECAL PLACEMENT FOR HS-3005/3006-DMK0



DECAL PLACEMENT FOR HS-3005/3006-DMK0								
REF. #	DESCRIPTION	PART #	QTY.		REF. #	DESCRIPTION	PART #	QTY.
1	Tag- Control Checklist	34-0101	1		13	Decal- "Stop" Position	34-0249	1
2	Decal- Caution: Risk of Fire	34-0284	2		14	Decal- "Run" Position	34-0250	1
3	Decal- Engine Fuel	34-0588	1		15	Decal- Throttle	34-0215	1
4	Decal- Diesel Only	34-0089	2		16	Tag- Burner Checklist	34-0098	1
5	Decal- Beltguard	34-0001	1		17	Decal- Data Plate	N/A	1
6	Decal- Diesel Die Cut	34-0046	1		18	Decal- Silver Sticker	N/A	1
7	Decal- Supra Hot Name	34-0212	1		19	Decal- Clear Laminate	N/A	1
8	Decal- Die Cut 3006	34-0104	1		20	Decal- Warning/Caution	34-0288	1
-	Decal- Die Cut 3005	34-0039	1		21	Decal- Warning: Burner & Guard	34-0282	1
9	Decal- Caution: Risk of Injection	34-0283	1		22	Tag- Preset Unloader	34-0099	1
10	Decal- Caution: Battery Terminal	34-0589	1		23	Decal- Pump Instructions	34-0128	1
11	Tag- Battery	34-0096	1		24	Decal- Danger: Muffler	34-0078	1
12	Decal- Pull to Kill	34-0213	1		25	Decal- Do Not Use Ether	34-0141	1

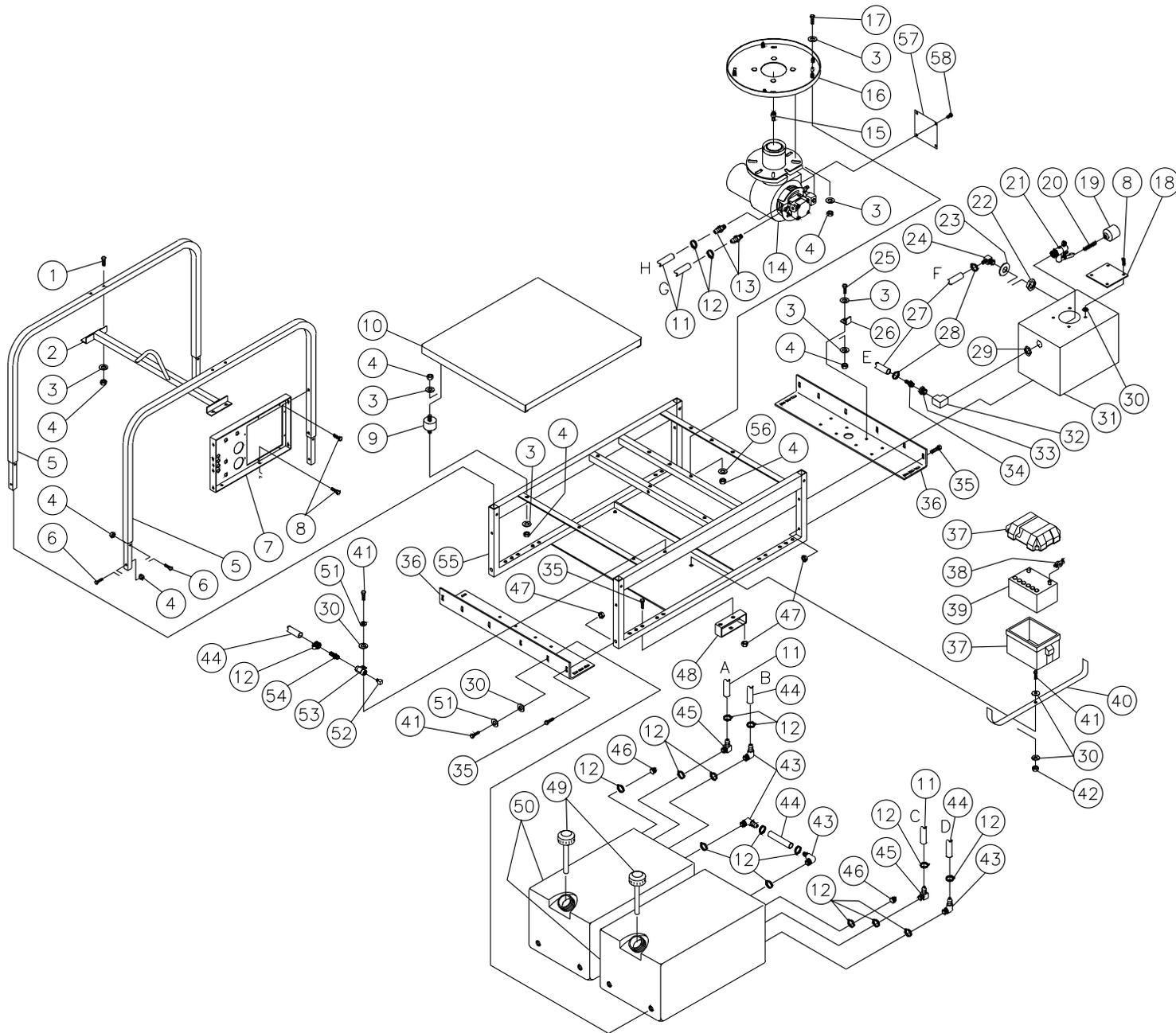
FRAME ASSEMBLY FOR HS-3005-CMK0



FRAME ASSEMBLY FOR HS-3005-CMK0

REF.	DESCRIPTION	PART #	QTY.	REF.	DESCRIPTION	PART #	QTY.	REF.	DESCRIPTION	PART #	QTY.
1	Bolt	27-0071	4	24	Lid Bracket	56-0020	1	47	Locknut	30-0155	2
2	Lift Hook Assembly	20-0308A01	1	25	U-Clip Nut	30-2104	3	48	Locknut	30-0159	17
3	Washer	28-0003	24	26	Washer	28-0051	2	49	Hose *(Nine Feet Required)	15-0020	1
4	Locknut	30-0157	34	27	Locknut	30-0154	4	50	Elbow	23-0123	4
5	Side Rail	20-0307A01	2	28	Float Support Bracket	20-0549A01	1	51	Elbow	23-0054	2
6	Bolt	27-0070	8	29	Nut	23-0138	1	52	Fuel Tank	12-0036	2
7	Control Panel	20-0309	1	30	Elbow	23-0393	1	53	Cap	12-0037	2
8	Screw	27-2930	14	31	Hose Clamp	42-0011	2	54	Skid Foot	20-0312A01	4
9	Vibration Pad	33-0028	6	32	Hose *(Nine Feet Required)	15-0033	1	55	Plug	24-0034	1
10	Isolation Plate	5-0069A01	1	33	Washer	28-0002	11	56	Coupler Assembly	850-0100	1
11	Frame	5-0092A01	1	34	Lockwasher	29-0006	11	57	Barb	23-0073	1
12	Fuel Hose *(Twelve Feet Required)	15-0008	1	35	Bolt	27-0015	11	58	Washer	28-0023	2
13	Hose Clamp	42-0004	17	36	Float Tank Bracket	20-0148A01	2	59	Stud	31-3245	1
14	Barb	23-0051	2	37	Elbow	23-0037	1	60	Nut	30-0006	1
15	Oil Burner	4-0009	1	38	Bolt	27-0121	12	61	Elbow Barb	23-0074	1
16	Oil Nozzle	18-0178	1	39	Underbracket	13-0078A01	2	62	Fuel Filter	19-0012	1
17	Pan Assembly	850-0066	1	40	Washer	28-0022	4	-	Fuel Filter (Replacement Only)	19-0010	1
18	Bolt	27-0067	4	41	Battery Box	33-0093	1	63	Bushing	23-0017	1
19	Float Tank (w/Lid)	12-0035	1	42	Terminal	32-0066	2	64	Cover	33-0017	1
20	Screw	27-2953	1	43	Battery	32-0059	1	65	Screw (See 4-0009)	N/A Sep.	2
21	Plug	39-0052	1	44	Strap	33-0089	1	*Order in One Foot Lengths			
22	Valve	22-0129	1	45	Bolt	27-0066	2				
23	Nut	30-9506	1	46	Clip	20-0142A01	2				

FRAME ASSEMBLY FOR HS-3005/3006-DMK0



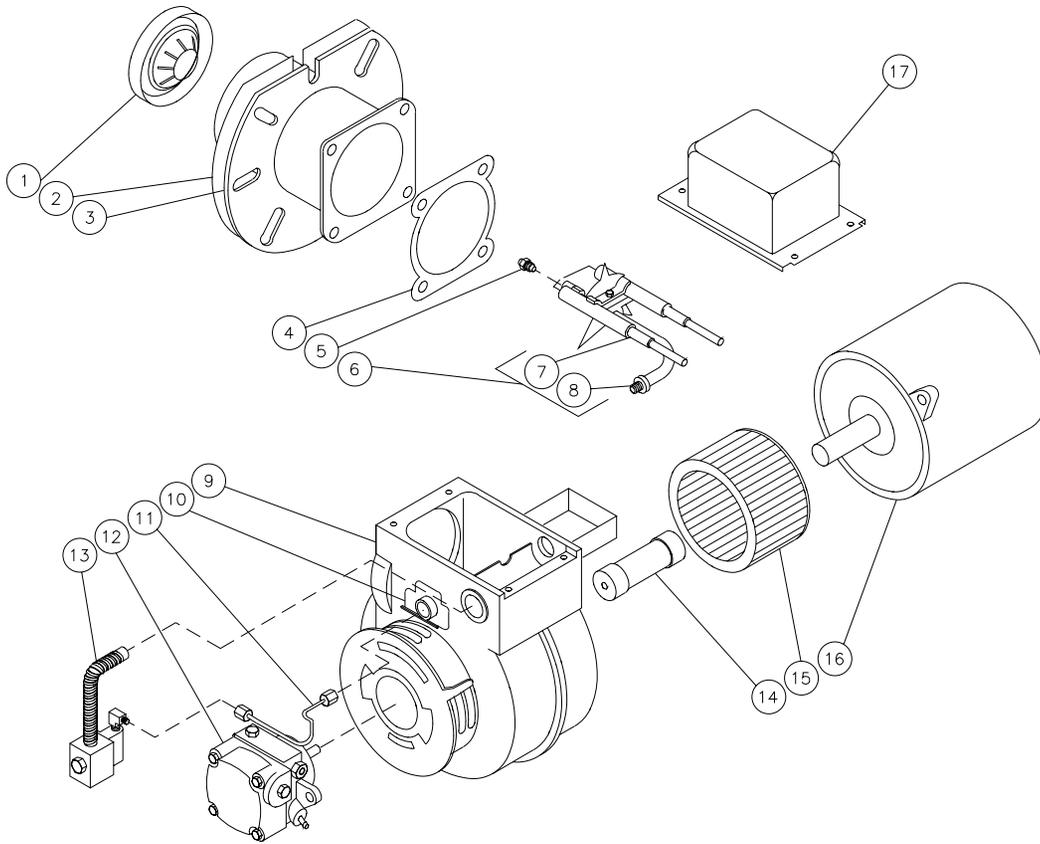
OMHS023-042700-BAR

FRAME ASSEMBLY FOR HS-3005/3006-DMKO

REF.	DESCRIPTION	PART #	QTY. 3005	QTY. 3006	REF.	DESCRIPTION	PART #	QTY. 3005	QTY. 3006	REF.	DESCRIPTION	PART #	QTY. 3005	QTY. 3006
1	Bolt	27-0071	4	4	19	Float	22-0059	1	1	40	Strap (38")	33-0089	1	1
2	Lift Hook Assembly	20-0308A01	1	1	20	Rod	31-3319	1	1	41	Bolt	27-0015	7	6
3	Washer	28-0003	24	24	21	Valve	22-0317	1	1	42	Locknut	30-0155	2	2
4	Locknut	30-0157	34	34	22	Nut	30-9506	1	1	43	Elbow	23-0123	4	4
5	Side Rail-Large Skid	20-0307A01	2	-	23	Washer	28-0051	1	1	44	Hose *(Nine Feet Required)	15-0020	1	1
-	Sided Rail-Large Skid	20-0387A01	-	2	24	Elbow	23-0037	2	2	45	Elbow	23-0054	2	2
6	Bolt	27-0070	8	8	25	Bolt	27-0066	2	2	46	Plug	24-0009	2	2
7	Control Panel	20-0309	1	1	26	Clip	20-0142A01	2	2	47	Locknut	30-0159	16	16
8	Screw	27-2930	14	14	27	Hose *(Nine Feet Required)	15-0033	1	1	48	Skid Foot	20-0312A01	4	4
9	Vibration Pad	33-0028	6	6	28	Hose Clamp	42-0011	2	-	49	Cap	12-0037	2	2
10	Isolation Plate (For HS-3005-DMKO)	5-0066A01	1	-	29	Nut (See 12-0003)	N/A Sep.	1	1	50	Fuel Tank	12-0036	2	2
-	Isolation Plate (For HS-3006-DMKO)	5-0121A01	-	1	30	Washer	28-0002	12	11	51	Lockwasher	29-0006	5	4
11	Fuel Hose *(Twelve Feet Required)	15-0008	1	1	31	Float Tank	12-0003	1	1	52	Plug for 3005 only	24-0034	1	1
12	Hose Clamp	42-0004	17	15	32	Elbow	23-0391	1	1	53	Coupler Assembly for 3005 only	850-0100	1	-
13	Barb	23-0051	2	2	33	Bushing	23-0023	1	1	54	Barb for 3005 only	23-0073	1	-
14	Oil Burner	4-0009	1	1	34	Hose Barb	23-0036	1	1	55	Frame for 3005	5-0092A01	1	-
15	Oil Nozzle (For HS-3005-DMKO)	18-0178	1	-	35	Bolt	27-0121	12	12	-	Frame for 3006	5-0122A01	-	1
-	Oil Nozzle (For HS-3006-DMKO)	18-0175	-	1	36	Underbracket	13-0078A01	2	2	56	Washer	28-0022	4	4
16	Pan Assembly	850-0066	1	1	37	Battery Box	33-0093	1	1	57	Cover	33-0017	1	1
17	Bolt	27-0067	4	4	38	Terminal	32-0066	2	2	58	Screw (See 4-0009)	N/A Sep.	2	2
18	Cover (See 12-0003)	N/A Sep.	1	1	39	Battery	32-0059	1	1	*Must Order in One Foot Lengths				

BURNER ASSEMBLY (4-0009)

OMGEN216-062795-JTR

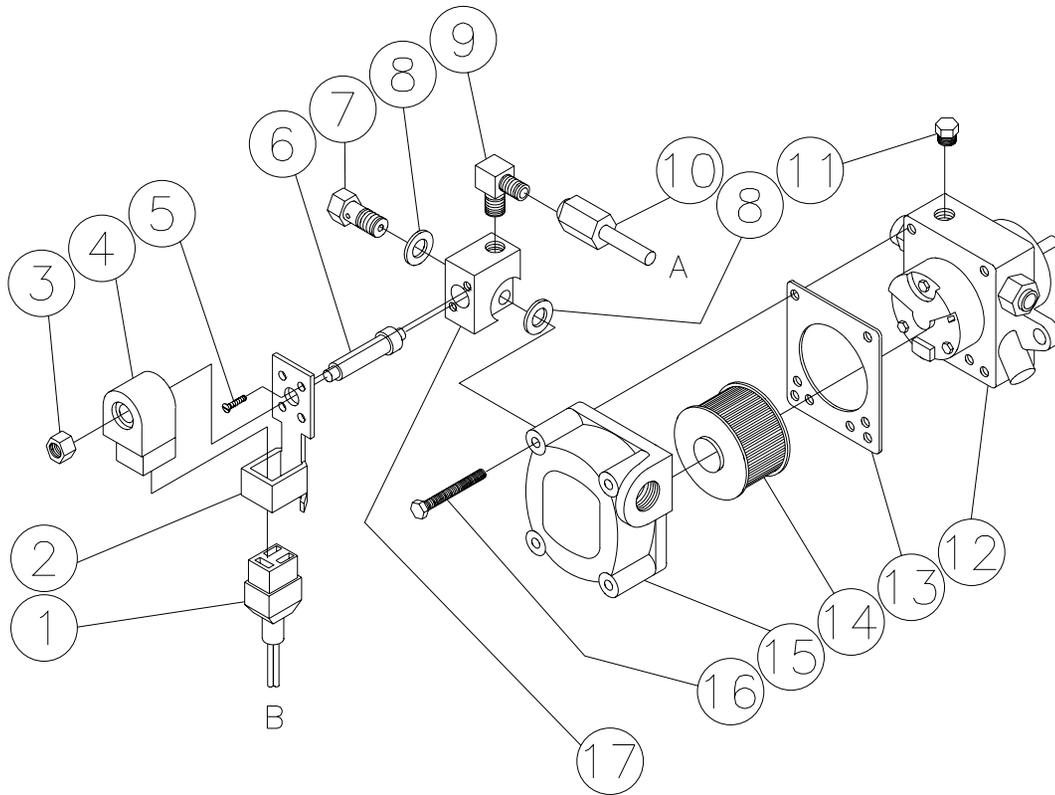


BURNER ASSEMBLY (4-0009)			
REF. #	DESCRIPTION	PART #	QTY.
1	Head	44-0010	1
2	Mounting Gasket	26-0062	1
3	Flange	38-0030	1
4	Gasket	26-0138	1
5	Oil Nozzle for HS-2204-BMH1/CMH1	18-0177	1
-	Oil Nozzle for HS-2505/3005-CMV1	18-0178	1
6	Nozzle Line Assembly (Includes 7, 8)	44-0043	1
7	Electrode Kit	70-0076	1
8	Bulkhead Fitting	70-0075	1
9	Burner Housing	44-0033	1
10	Escutcheon Plate	44-0031	1
11	Fuel Line	44-0026	1
12	Fuel Pump	3-0020	1
13	Fuel Solenoid (120V)	44-0038	1
14	Coupler	44-0014	1
15	Blower Wheel	44-0071	1
16	Motor (120V)	2-0068	1
17	Ignition Transformer (120V)	44-0017	1
	Complete Burner Assembly (Inc. 1-17)	4-0009	

OMGEN216-062795-JTR

FUEL PUMP (3-0020) & FUEL SOLENOID (44-0038) ASSEMBLY

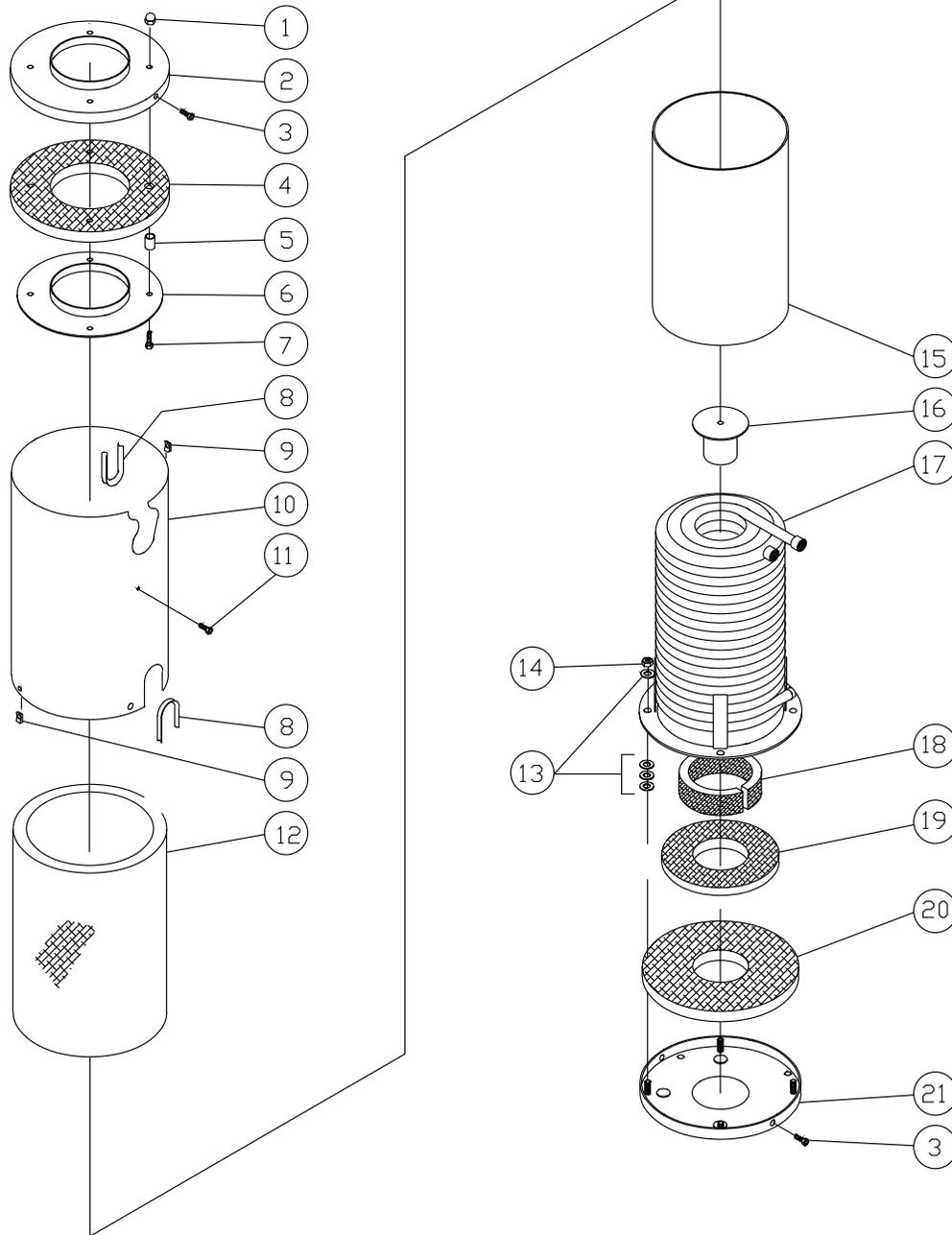
OMGEN220-080795-JTR



FUEL PUMP (3-0020) & FUEL SOLENOID (44-0038) ASSEMBLY			
REF. #	DESCRIPTION	PART #	QTY.
1	Cord-Din Connector	46-1017	1
2	Base Plate (See 44-0038)	N/A Sep.	1
3	Nut-Solenoid Piston	46-1016	1
4	Solenoid Coil (120V)	44-0002	1
5	Screw (See 44-0038)	N/A Sep.	2
6	Piston	46-1012	1
7	Bolt	46-1009	1
8	Washer	26-0150	2
9	Elbow	23-0083	1
10	Fuel Line	44-0025	1
11	Plug	24-0082	1
12	Fuel Pump Body (See 3-0020)	N/A Sep.	1
13	Cover Gasket	26-0109	1
14	Fuel Pump Strainer	19-0034	1
15	Fuel Pump Cover	46-1005	1
16	Screw	46-1006	4
17	Solenoid Body (See 44-0038)	N/A Sep.	1
	Fuel Solenoid- 120V (Inc. 1-8, 17)	44-0038	1
	Fuel Pump (Inc. 11-16)	3-0020	1

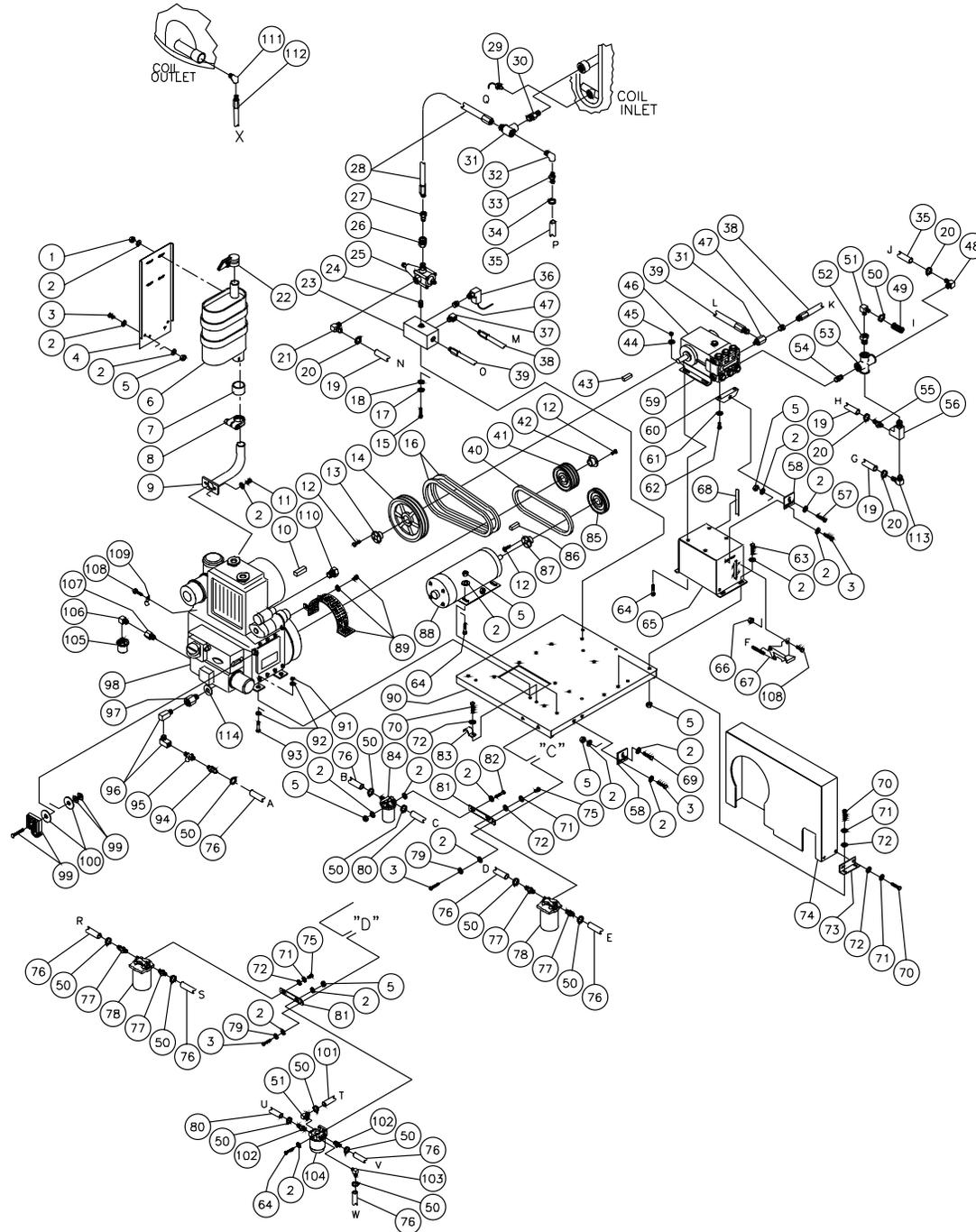
OMGEN220-080795-JTR

BOILER ASSEMBLY



BOILER ASSEMBLY			
REF. #	DESCRIPTION	PART #	QTY.
1	Nut	30-5204	4
2	Dome	20-0234A01	1
3	Screw	27-2930	7
4	Insulation Donut	33-0124	1
5	Spacer	21-0082	4
6	Dome Insulation Retainer	20-0282	1
7	Bolt	27-0068	4
8	Edging *(Two Feet Required)	33-0020	1
9	Nut / U-Clip	30-2104	7
10	Outer Wrap Assembly for HS-3005-CMK0/DMK0	850-0091	1
-	Outer Wrap Assembly for HS-3006-DMK0	850-0094	1
11	Screw	27-3262	2
12	Insulation Blanket	850-0065	1
13	Washer	28-0023	12
14	Nut	30-0109	3
15	Shell for HS-3005-CMK0/DMK0	850-0089	1
-	Shell for HS-3006-DMK0	850-0098	1
16	Target Assembly (5") for HS-3005-CMK0/DMK0	20-0226	1
-	Target Assembly (8") for HS-3006-DMK0	20-0191	1
17	Coil Assy. for HS-3005-CMK0/DMK0	850-0106	1
-	Coil Assembly for HS-3006-DMK0	850-0057	1
18	Insulation Strip	850-0102	1
19	Donut Insulation	33-0123	1
20	Donut Insulation	33-0121	1
21	Pan	850-0066	1
*Must Order in One Foot Lengths			

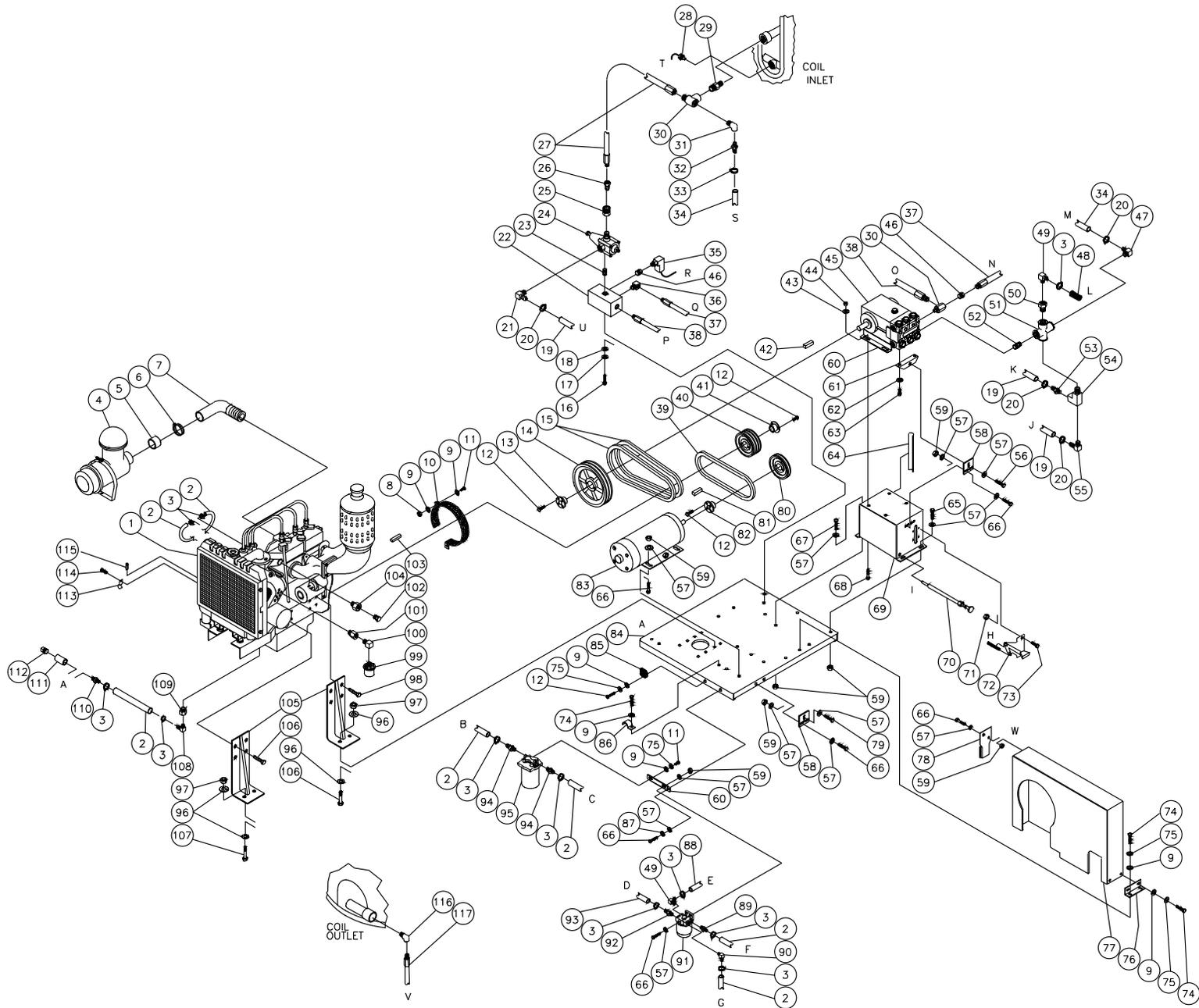
ENGINE AND PUMP ASSEMBLY FOR HS-3005-CMK0/DMK0



OMHS024-033000-JTR

ENGINE/PUMP ASSEMBLY FOR HS-3005-CMK0/DMK0											
REF. #	DESCRIPTION	PART #	QTY.	REF. #	DESCRIPTION	PART #	QTY.	REF. #	DESCRIPTION	PART #	QTY.
1	Locknut	30-3156	4	40	Belt-Engine/Generator	11-0016	1	80	Hose *(Three Feet Required)	15-0031	1
2	Washer for CMK0	28-0003	26	41	Sheave-Engine	10-0011	1	81	Pump Foot	46-0066	1
-	Washer for DMK0	28-0003	28	42	Bushing	9-0007	1	82	Bolt	27-0073	1
3	Bolt	27-0066	9	43	Key-Pump	43-0028	1	83	Clamp	42-0015	1
4	Exhaust Bracket	20-0178A01	1	44	Washer	28-0030	4	84	Fuel Filter (Replacement Only)	19-0007	1
5	Locknut for CMK0	30-0157	17	45	Locknut	30-0161	4	85	Sheave-Generator	10-0039	1
-	Locknut for DMK0	30-0157	18	46	Pump	3-0012	1	86	Key-Generator	43-0073	1
6	Muffler	33-0043	1	47	Bushing	23-0017	1	87	Bushing	9-0037	1
7	Exhaust Tubing	850-0097	1	48	Elbow	23-0037	1	88	Generator	850-0096	1
8	Muffler Clamp (See 1-0016)	N/A Sep.	1	49	Hose *(One Foot Required)	15-0079	1	89	Beltguard Assembly	850-0034	1
9	Exhaust Elbow	850-0099	1	50	Hose Clamp for CMK0	42-0004	6	90	Isolation Plate	5-0066A01	1
10	Engine Shaft Key	43-0039	1	-	Hose Clamp for DMK0	42-0004	10	91	Locknut	30-0163	4
11	Bolt	27-8032	2	51	Elbow	23-0054	1	92	Washer	28-0024	9
12	Bolt	27-0016	6	52	Reducer	23-0056	1	93	Bolt	27-0219	4
13	Bushing	9-0017	1	53	Cross	23-0071	1	94	Barb	23-0069	1
14	Pump Sheave	10-0040	1	54	Nipple	23-0012	1	95	Valve	22-0080	1
15	Bolt	27-0116	2	55	Barb	23-0045	1	96	Elbow	23-0014	2
16	Pump/Engine Belt	11-0007	2	56	Tee	23-0124	1	97	Oil Plug Adaptor	20-0059	1
17	Lockwasher	29-0008	2	57	Bolt	27-0532	1	98	Engine-12.5 HP Diesel	1-0016	1
18	Washer	28-0022	2	58	Plate Tightener	20-0214A01	2	-	Air Filter (Replacement Only)	19-0008	1
19	Hose *(Nine Feet Required)	15-0007	1	59	Pump Rails	46-0066	2	-	Oil Filter (Replacement Only)	19-0009	1
20	Hose Clamp	42-0011	3	60	Pump Tightener	13-0079A01	1	99	Rectifier	45-0004	1
21	Elbow	23-0050	1	61	Washer	29-0055	4	100	Washer	28-0057	2
22	Rain Cap	33-0083	1	62	Bolt	27-8471	4	101	Fuel Hose *(Twelve Feet Required for DMK0)	15-0008	1
23	Manifold for Unloader	51-0010	1	63	Bolt	27-0067	4	102	Barb for DMK0	23-0051	1
24	Nipple	24-0010	1	64	Bolt	27-0166	4	103	Elbow for DMK0	23-0123	1
25	Unloader	8-0013	1	65	Pump Mount	20-0176A01	1	104	Fuel Water Separator for DMK0	19-0049	1
26	Quick Connect	17-0004	1	66	Locknut	30-0154	2	-	Filter (Replacement Only)	19-0053	1
27	Quick Connect	17-0006	1	67	Throttle Control	33-0082	1	105	Oil Pressure Sensor for DMK0	22-0102	1
28	Hose	15-0015	1	68	Edging *(One Foot Required)	33-0020	1	106	Elbow for DMK0	23-0133	1
29	Thermoprobe	22-0118	1	69	Bolt	27-0526	1	107	Nipple for DMK0	24-0134	1
30	Nipple	24-0024	1	70	Bolt	27-0015	9	108	Screw	27-2930	1
31	Tee	23-0058	1	71	Lockwasher	29-0006	10	109	Clamp	33-0108	1
32	Elbow	24-0004	1	72	Washer	28-0002	10	110	Water Temp. Sensor for DMK0	22-0104	1
33	Pop-off	22-0046	1	73	Bracket Tightener Angle	13-0085A01	2	111	Elbow	24-0074	1
34	Hose Clamp	42-0003	1	74	Beltguard	6-0037A01	1	112	Hose	15-0071	1
35	Hose *(CMK0- Seven Feet Required. DMK0- Nine Feet Required.)	15-0033	1	75	Bolt	27-0014	2	113	Elbow	23-0053	1
36	Pressure Switch (22 Bar)	22-0243	1	76	Fuel Line Hose: *(CMK0- Six Feet Required. DMK0- Nine Feet Required.)	15-0020	1	114	Gasket	26-0136	1
37	Elbow	24-0021	1	77	Barb (See 3-0017)	N/A Sep.	2	*Must Order in One Foot Lengths			
38	Hose	15-0072	1	78	Fuel Pump	3-0017	1				
39	Hose	15-0024	1	79	Lockwasher	29-0007	2				

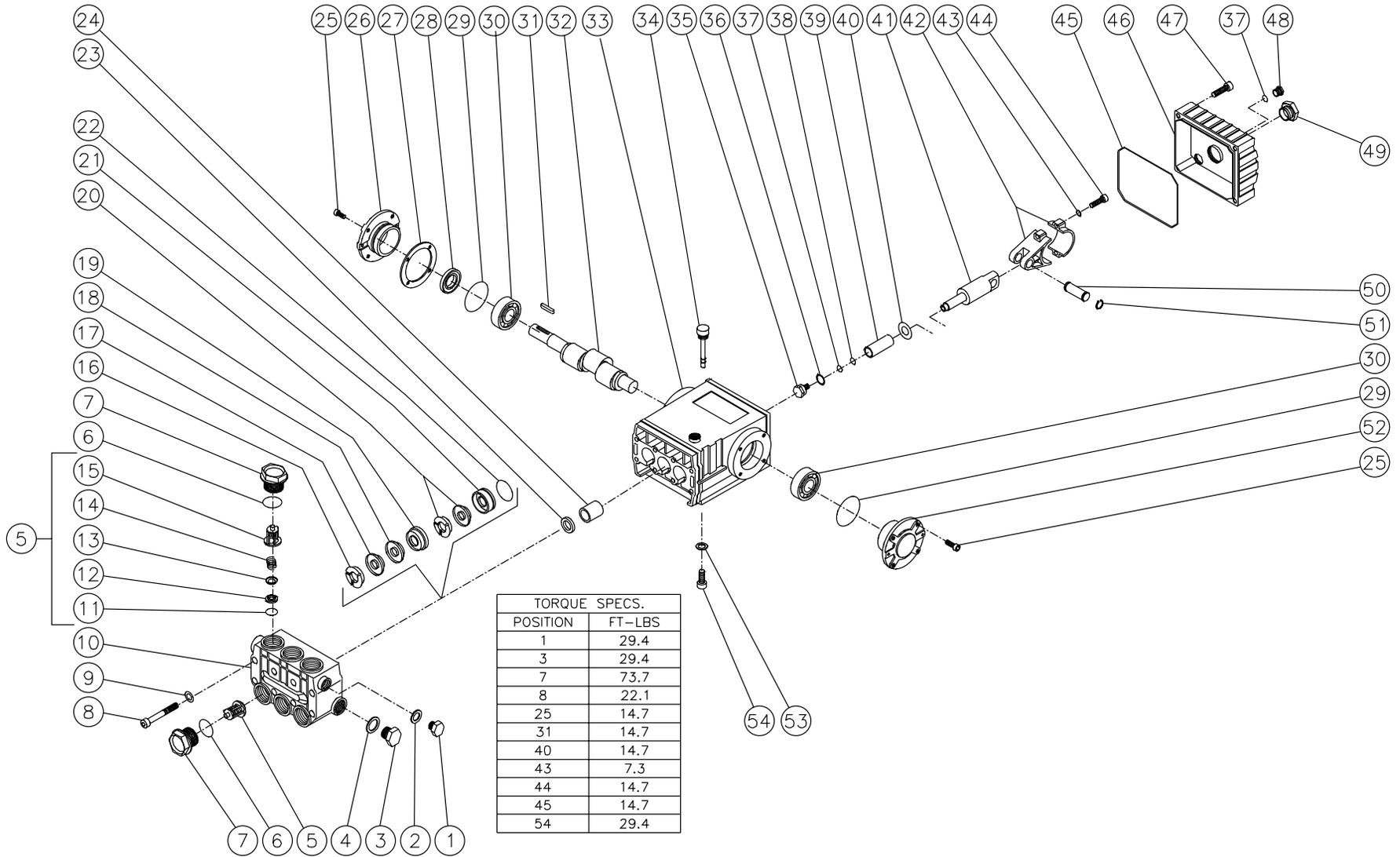
ENGINE AND PUMP ASSEMBLY FOR HS-3006-DMK0



OMHS025-033000-JTR

ENGINE/PUMP ASSEMBLY FOR HS-3006-DMK0											
REF. #	DESCRIPTION	PART #	QTY.	REF. #	DESCRIPTION	PART #	QTY.	REF. #	DESCRIPTION	PART #	QTY.
1	Engine 16 HP Diesel	1-0053	1	41	Bushing	9-0010	1	81	Key w/ Generator	43-0073	1
2	Fuel Line Hose *(Nine Feet Required)	15-0020	1	42	Key-Pump	43-0028	1	82	Bushing	9-0037	1
3	Hose Clamp	42-0004	10	43	Washer	28-0030	4	83	Generator	850-0096	1
4	Air Intake (See 1-0053)	N/A Sep.	1	44	Locknut	30-0161	4	84	Base Isolation Plate	5-0121A01	1
5	Air Intake Tubing	850-0095	1	45	Pump	3-0012	1	85	Rectifier (See 1-0053)	N/A Sep.	1
6	Hose Clamp	42-0018	1	46	Bushing	23-0017	1	86	Clamp	42-0015	1
7	Hose-Radiator	15-0075	1	47	Elbow	23-0037	1	87	Lockwasher	29-0007	2
8	Locknut	30-0155	2	48	Hose *(One Foot Required)	15-0079	1	88	Fuel Hose *(Twelve Feet Required)	15-0008	1
9	Washer	28-0002	10	49	Elbow	23-0054	1	89	Barb	23-0051	1
10	Ring Gear Guard	6-0039A01	1	50	Reducer	23-0056	1	90	Elbow	23-0123	1
11	Bolt	27-0014	2	51	Cross	23-0071	1	91	Fuel Water Separator	19-0049	1
12	Bolt	27-0016	2	52	Nipple	23-0012	1	-	Fuel Water Separator (Replacement Only)	19-0053	1
13	Bushing	9-0017	1	53	Barb	23-0045	1	92	Barb	23-0069	1
14	Sheave-Pump	10-0012	1	54	Tee	23-0124A01	1	93	Fuel Line Hose *(Three Feet Required)	15-0031	1
15	Pump/Engine Belt	11-0006	2	55	Barb	23-0053	1	94	Hose Barb (See 3-0017)	N/A Sep.	2
16	Bolt	27-0116	2	56	Bolt	27-0532	1	95	Fuel Pump	3-0017	1
17	Lockwasher	29-0008	2	57	Washer	28-0003	30	96	Washer	28-0024	14
18	Washer	28-0022	2	58	Plate Tightener	20-0214A01	2	97	Locknut	30-0163	8
19	Hose *(Six Feet Required)	15-0007	1	59	Locknut	30-0157	20	98	Bolt	27-8077	4
20	Hose Clamp	42-0011	3	60	Pump Rails	46-0066	2	99	Oil Pressure Sensor	22-0102	1
21	Elbow	23-0050	1	61	Pump Tightener	13-0079A01	1	100	Elbow	23-0133	1
22	Manifold for Unloader	51-0010	1	62	Washer	29-0055	4	101	Adapter	24-0134	1
23	Nipple	24-0010	1	63	Bolt	27-8471	4	102	Water Temp. Sensor	22-0104	1
24	Unloader	8-0014	1	64	Edging *(One Foot Required)	33-0020	1	103	Engine Shaft Key	43-0078	1
25	Quick Connect	17-0004	1	65	Bolt	27-0067	4	104	Reducer	24-0048	1
26	Quick Connect	17-0006	1	66	Bolt	27-0066	11	105	Engine Foot	20-0304A01	4
27	Hose	15-0015	1	67	Bolt	27-0068	2	106	Bolt	27-8078	4
28	Thermoprobe	22-0118	1	68	Bolt	27-0166	4	107	Bolt	27-0219	8
29	Nipple	24-0024	1	69	Pump Mount	20-0176A01	1	108	Hose Barb	23-0074	1
30	Tee	23-0058	1	70	Kill Cable	33-0081	1	109	Oil Drain Adapter	23-0294	1
31	Elbow	24-0004	1	71	Locknut	30-0154	4	110	Barb	23-0073	1
32	Pop-off	22-0046	1	72	Throttle Control	33-0082	1	111	Connector	24-0039	1
33	Hose Clamp	42-0003	2	73	Screw	27-2930	4	112	Plug	24-0034	1
34	Hose *(Nine Feet Required)	15-0033	1	74	Bolt	27-0015	9	113	Throttle Cable Clamp	33-0108	2
35	Pressure Switch (22 Bar)	22-0243	1	75	Lockwasher	29-0006	10	114	Screw	27-2930	4
36	Elbow	24-0021	1	76	Bracket Tightener Angle	13-0085A01	2	115	Throttle Cable Connector	33-0109	2
37	Hose	15-0072	1	77	Beltguard	6-0037A01	1	116	Elbow	24-0074	1
38	Hose	15-0024	1	78	Bracket (See 1-0053)	N/A Sep.	1	117	Hose (3000 PSI)	15-0071	1
39	Engine/Generator Belt	11-0007	1	79	Bolt	27-0526	1	*Must Order in One Foot Lengths			
40	Engine Sheave	10-0061	1	80	Sheave	10-0039	1				

PUMP ASSEMBLY (3-0012)



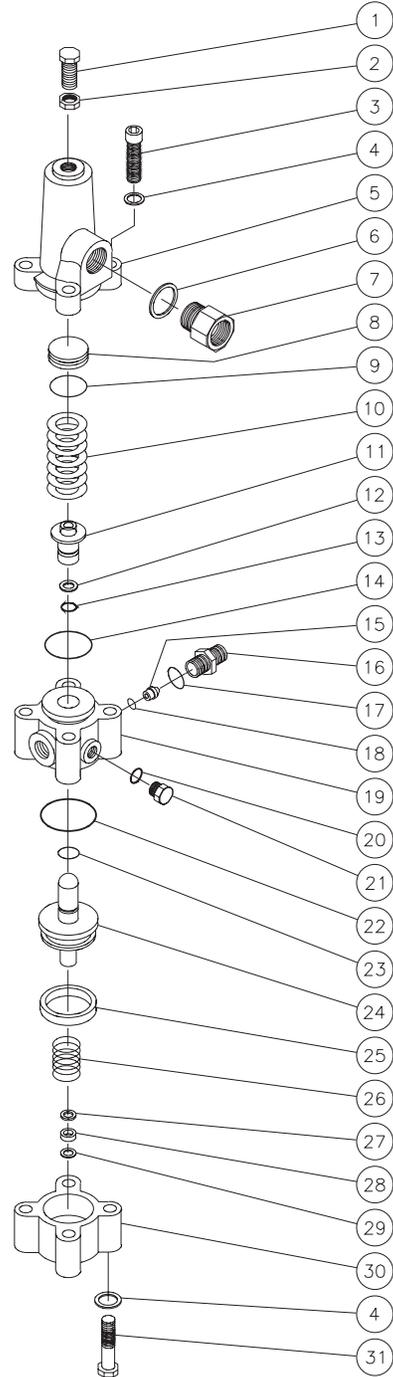
3-0012-102899-RD

PUMP ASSEMBLY (3-0012)

REF. #	DESCRIPTION	PART #	QTY.	REF. #	DESCRIPTION	PART #	QTY.	REF. #	DESCRIPTION	PART #	QTY.
1	Hex Plug	39-0018	1	21	Seal Retainer	46-0057	3	41	Piston Rod	46-0056	3
2	Washer	28-1002	1	22	O-ring	25-0015	3	42	Connecting Rod	46-0051	3
3	Hex Plug	39-0019	1	23	Oil Seal	26-0047	3	43	Lockwasher	29-0154	6
4	Washer	28-1038	1	24	Bushing	9-0029	3	44	Bolt	27-8435	6
5	Valve Assy. (Includes 11-15) (See 70-0009)	N/A Sep.	6	25	Bolt	27-8431	8	45	O-ring	25-0339	1
6	O-ring	25-0012	6	26	Cover	46-0296	1	46	Crankcase Cover	46-0295	1
7	Valve Plug	39-0021	6	27	Shim	46-0113	2	47	Bolt	27-8404	5
8	Bolt	27-8185	8	28	Oil Seal	26-0049	1	48	Plug	39-0017	1
9	Flatwasher	28-1039	8	29	O-ring	25-0013	2	49	Indicator	46-0114	1
10	Pump Manifold - Brass 20mm	46-0061	1	30	Bearing	48-0012	2	50	Connecting Rod	43-0032	3
11	O-ring (See 70-0009)	N/A Sep.	6	31	Key	43-0048	1	51	Retaining Ring	46-0103	6
12	Valve Seat (See 70-0009)	N/A Sep.	6	32	Crankshaft	46-0050	1	52	Crankcase Cover	46-0336	1
13	Valve Plate (See 70-0009)	N/A Sep.	6	33	Crankshaft	46-0047	1	53	Lockwasher	29-0055	4
14	Valve Spring (See 70-0009)	N/A Sep.	6	34	Oil Dip Stick	46-0144	1	54	Bolt	27-8471	4
15	Valve Cage (See 70-0009)	N/A Sep.	6	35	Bolt	46-0069	3		Valve Kit (6 each of 11-15)	70-0009	
16	Head Ring (See 852-0122)	N/A Sep.	3	36	Washer	28-0400	3		Head Ring Kit (3 each of 16)	70-0030	
17	Head Ring (See 852-0122)	N/A Sep.	3	37	O-ring	25-0014	4		Packing Kit (3 each of 17, 18, 20)	70-0147	
18	Stop Ring Packing (See 852-0122)	N/A Sep.	3	38	Back Up Ring	46-0109	3		Packing Assy. (3 each of 16, 17, 18, 20, 22)	852-0122	
19	Intermediate Ring	46-0659	3	39	Plunger	46-0052	3		Intermediate Retainer Kit (3 each 18, 19)	70-0148	
20	Seal (See 852-0122)	N/A Sep.	3	40	Washer	46-0146	3				

UNLOADER ASSEMBLY (8-0013 & 8-0014)

OMGEN066-8-0013/8-0014-083094-BAR

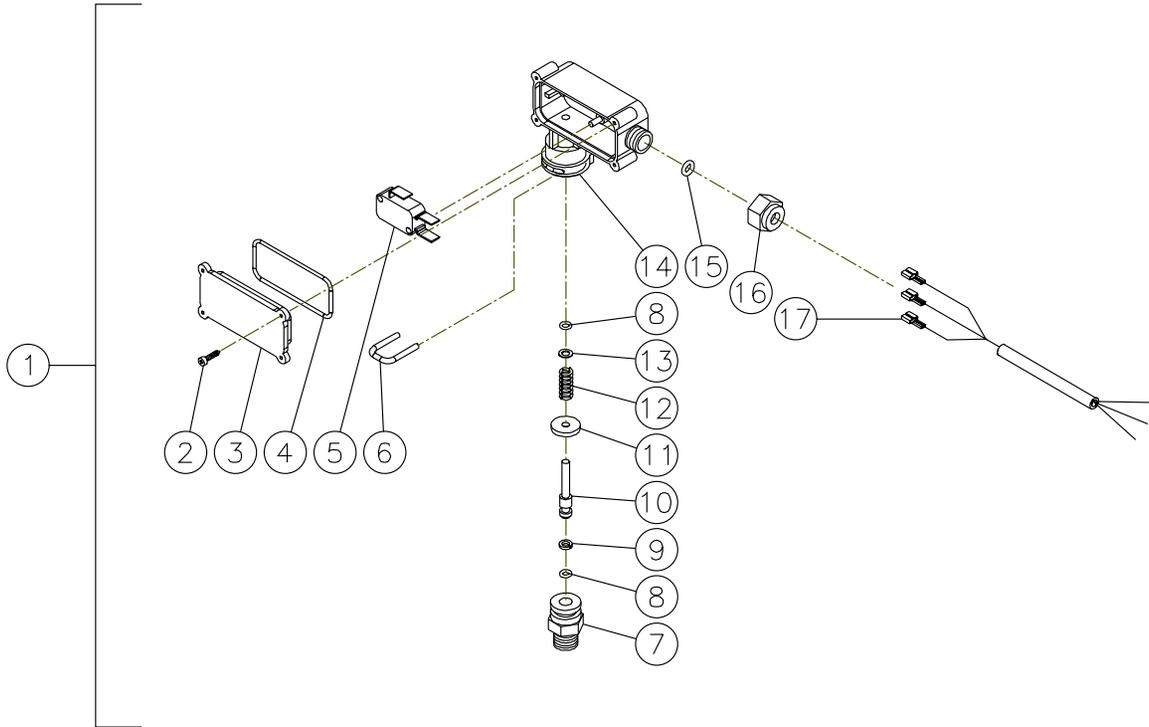


UNLOADER ASSEMBLY (8-0013 & 8-0014)			
REF. #	DESCRIPTION	PART #	QTY.
1	Bolt	27-8077	1
2	Hex Nut	30-3010	1
3	Bolt	27-8434	4
4	Lockwasher	29-0154	8
5	Upper Body	8-0138	1
6	Washer	8-0277	1
7	By-Pass Restrictor (8-0013)	8-0124	1
-	By-Pass Restrictor (8-0014)	8-0123	1
8	Spring Guide	8-0135	1
9	O-ring	25-0118	1
10	Spring	49-0026	1
11	Valve Seat	8-0145	1
12	Back-up Ring	8-0141	1
13	O-ring	25-0121	1
14	O-ring	25-0117	1
15	Flow Balancer for 8-0013	8-0128	1
-	Flow Balancer for 8-0014	8-0127	1
16	Nipple	8-0130	1
17	O-ring	25-0052	1
18	O-ring	25-0119	1
19	Middle Body	8-0137	1
20	O-ring	25-0114	2
21	Hex Plug	39-0017	2
22	O-ring	25-0056	1
23	O-ring	25-0120	1
24	Piston Assembly	8-0136	1
25	Seal	26-0104	1
26	Spring	49-0027	1
27	Washer	8-0139	1
28	Seal	26-0105	1
29	Back-up Ring	8-0140	1
30	Lower Body	8-0134	1
31	Bolt	27-8037	4
	Unloader Repair Kit (Inc. 9, 11, 13, 14, 17, 18, 20, 22-26, 28, 29)	70-0013	
	Unloader Orifice Kit (Inc. 7, 15, 16) for 8-0013	852-0015	
	Unloader Orifice Kit (Inc. 7, 15, 16) for 8-0014	852-0016	

OMGEN066-083094-BAR

PRESSURE SWITCH (22-0243)

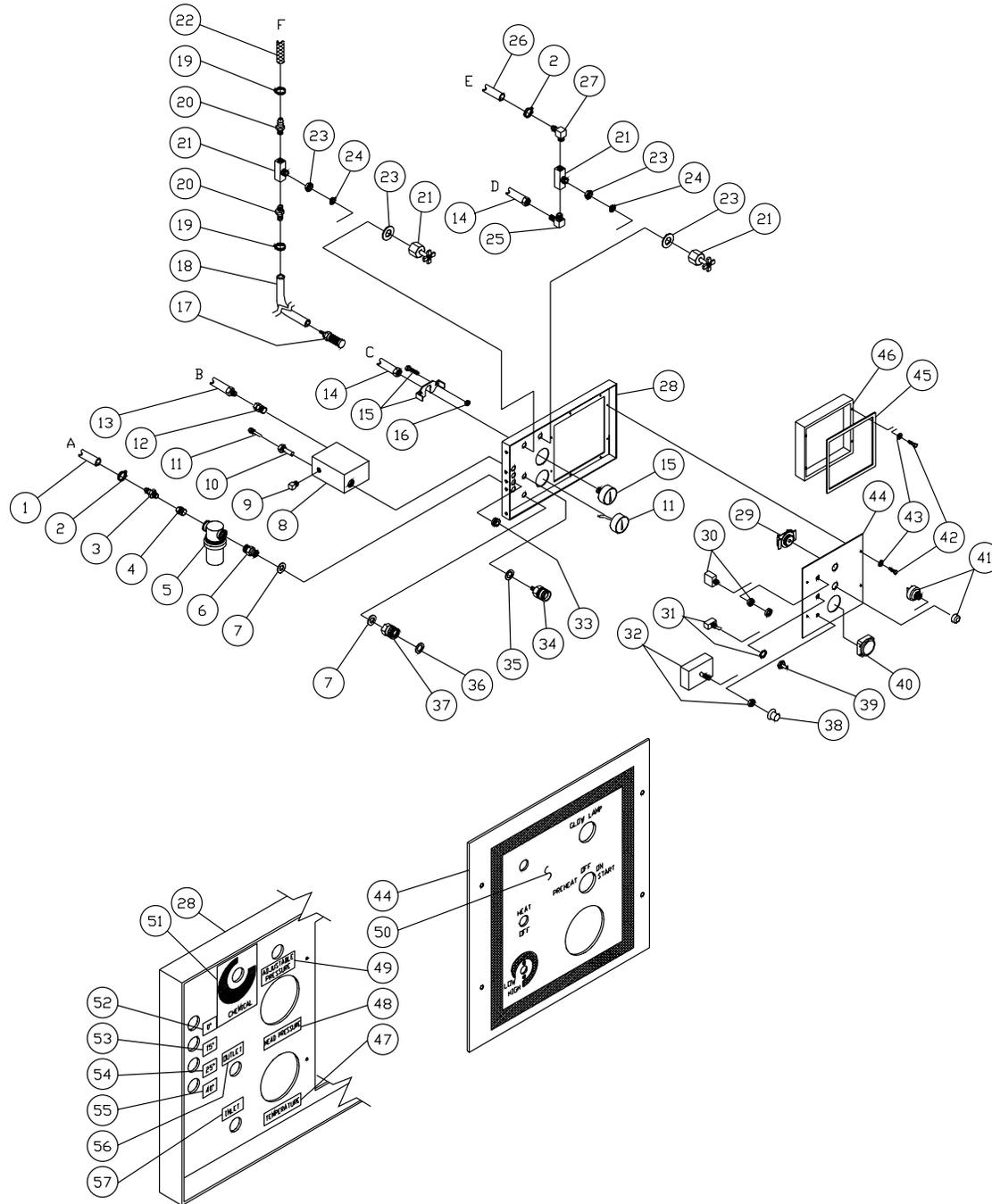
22-0243-120799-BAR



PRESSURE SWITCH (22-0243)			
REF. #	DESCRIPTION	PART #	QTY.
1	Pressure Switch	22-0243	1
2	Screw	N/A	4
3	Cover	N/A	1
4	O-ring (See 70-0306)	N/A Sep.	1
5	Micro Switch	N/A	1
6	Retainer Clip	N/A	1
7	Body	N/A	1
8	O-ring (See 70-0306)	N/A Sep.	2
9	Back-up Ring (See 70-0306)	N/A Sep.	1
10	Piston	N/A	1
11	Washer	N/A	1
12	Spring	49-0145	1
13	Washer	N/A	1
14	Plastic Housing	N/A	1
15	O-ring (See 70-0306)	N/A Sep.	1
16	Nut	N/A	1
17	Wire Assembly	N/A	1
	O-ring Repair Kit (Inc. 4, 8, 9, 15)	70-0306	

22-0171/22-0243-120799-BAR

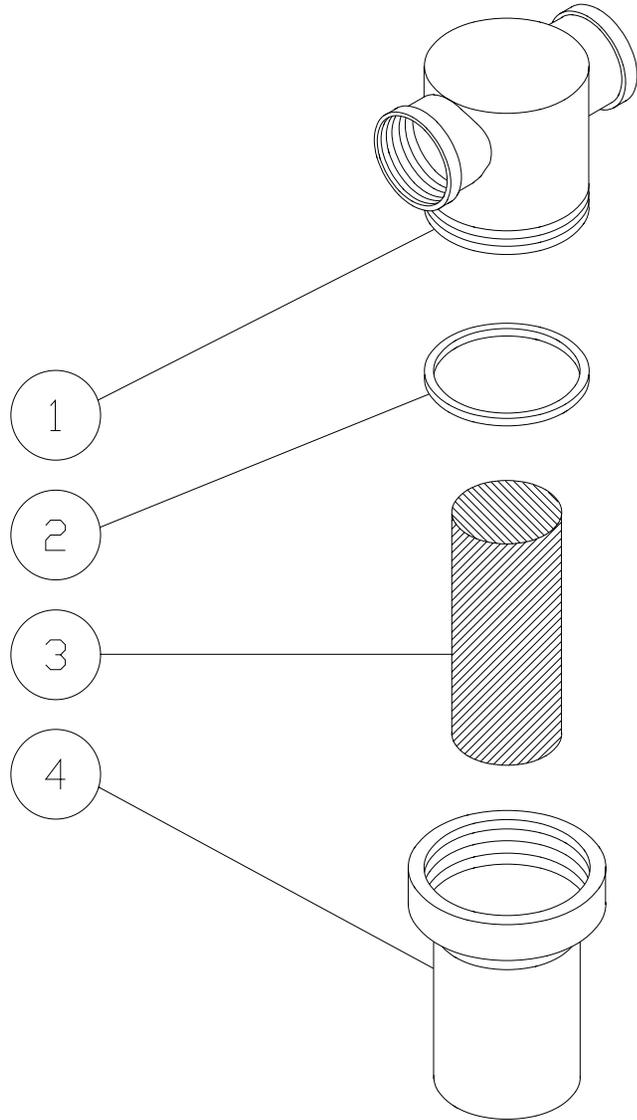
CONTROL PANEL FOR HS-3005-CMK0



CONTROL PANEL FOR HS-3005-CMK0							
REF. #	DESCRIPTION	PART #	QTY.	REF. #	DESCRIPTION	PART #	QTY.
1	Hose *(One Foot Required)	15-0033	1	30	Fuse	32-0240	1
2	Hose Clamp	42-0003	1	31	Toggle Switch	22-0053	1
3	Barb	23-0036	1	32	Thermostat	22-0117	1
4	Bushing	23-0023	1	33	Grommet	33-0001	4
5	Water Strainer	19-0004	1	34	Quick Connect	17-0007	1
6	Nipple	23-0082	1	35	Washer	28-0050	1
7	Washer	28-0051	2	36	Garden Hose Gasket	26-0001	1
8	Outlet Manifold	56-0017	1	37	Swivel	23-0001	1
9	Plug	24-0009	1	38	Thermostat Knob	7-0054	1
10	Thermowell Socket	23-0128	1	39	Toggle Switch Boot	33-0003	1
11	Thermometer (30 -300 F)	22-0098	1	40	Hourmeter	32-0259	1
12	Swivel Connect	24-0049	1	41	Switch Key	22-0049	1
13	Hose	15-0071	2	42	Screw	27-2930	8
14	Hose	15-0072	1	43	Washer	28-0001	8
15	Gauge (0-5000 PSI)	22-0073	1	44	Gauge Panel	20-0311	1
16	Hex Nut	30-0202	1	45	Foam Seal *(Four Feet Required)	26-0129	1
17	Detergent Strainer	19-0050	1	46	Box	32-0246	1
18	Hose-Detergent *(Six Feet Required)	15-0021	1	47	Decal-Temperature	34-0242	1
19	Hose Clamp	42-0004	2	48	Decal-Head Pressure	34-0241	1
20	Barb	23-0051	2	49	Decal-Adjustable Control	34-0253	1
21	Needle Valve	22-0108	2	50	Decal-Panel "C" Version	34-0199	1
22	Hose *(One Foot Required)	15-0079	1	51	Decal-Detergent	34-0248	1
23	Mounting Kit	70-0066	2	52	Decal-Nozzle 0	34-0247	1
24	Lockwasher	29-0113	2	53	Decal-Nozzle 15	34-0246	1
25	Elbow	23-0130	1	54	Decal-Nozzle 25	34-0245	1
26	Hose *(One Foot Required)	15-0007	1	55	Decal-Nozzle 40	34-0244	1
27	Elbow	23-0119	1	56	Decal-Outlet	34-0236	1
28	Control Panel	20-0309	1	57	Decal-Water Inlet	34-0237	1
29	Glow Lamp	32-0120	1	*Must Order in One Foot Lengths			

CONTROL PANEL FOR HS-3005/3006-DMK0							
REF. #	DESCRIPTION	PART #	QTY.	REF. #	DESCRIPTION	PART #	QTY.
1	Hose *(One Foot Required)	15-0033	1	35	Control Panel	20-0309	1
2	Hose Clamp	42-0003	1	36	Gauge (0-5000 PSI)	22-0073	2
3	Barb	23-0036	1	37	Grommet	33-0001	4
4	Bushing	23-0023	1	38	Toggle Switch Boot	33-0003	1
5	Water Strainer	19-0004	1	39	Thermostat	22-0117	1
6	Nipple	23-0082	1	40	Thermostat Knob	7-0054	1
7	Washer	28-0051	2	41	Gauge Panel for 3005	20-0310A01	1
8	Garden Hose Swivel	23-0001	1	-	Gauge Panel for 3006	20-0390A01	1
9	Garden Hose Gasket	26-0001	1	42	Hourmeter	32-0259	1
10	Quick Connect	17-0007	1	43	Indicator Light	32-0244	2
11	Washer	28-0050	1	44	Switch Key	22-0049	1
12	Outlet Manifold	56-0017	1	45	Oil Pressure Gauge	22-0101	1
13	Elbow	24-0021	1	46	Ammeter	22-0100	1
14	Hose (24")	15-0072	3	47	Water Temperature Gauge	22-0103	1
15	Thermowell Socket	23-0128	1	48	Screw	27-2930	8
16	Thermometer (30 -300 F)	22-0098	1	49	Washer	28-0001	8
17	Swivel Connect	24-0049	1	50	Foam Seal *(Four Feet Required)	26-0129	1
18	Hose	15-0071	2	51	Box	32-0246	1
19	Nut	30-0202	4	52	Locknut for 3006	30-0154	1
20	Mount (w/Reference #35)	N/A	2	53	Timer (w/engine for 3006)	N/A	1
21	Detergent Strainer	19-0050	1	54	Decal-Temperature	34-0242	1
22	Hose-Detergent *(Six Feet Required)	15-0021	1	55	Decal-Outlet Pressure	34-0240	1
23	Hose Clamp	42-0004	2	56	Decal-Head Pressure	34-0241	1
24	Barb	23-0051	2	57	Decal-Adjustable Control	34-0253	1
25	Needle Valve	22-0108	2	58	Decal-Panel "D" Version	34-0200	1
26	Hose *(One Foot Required)	15-0079	1	59	Decal-Detergent	34-0248	1
27	Mounting Kit	70-0066	2	60	Decal-Nozzle 0	34-0247	1
28	Lockwasher	29-0113	2	61	Decal-Nozzle 15	34-0246	1
29	Elbow	23-0130	1	62	Decal-Nozzle 25	34-0245	1
30	Hose *(One Foot Required)	15-0007	1	63	Decal-Nozzle 40	34-0244	1
31	Elbow	23-0119	1	64	Decal-Outlet	34-0236	1
32	Toggle Switch	22-0053	2	65	Decal-Inlet	34-0237	1
33	Glow Lamp	32-0120	1	*Must Order in One Foot Lengths			
34	Fuse	32-0240	1				

WATER STRAINER (19-0004)



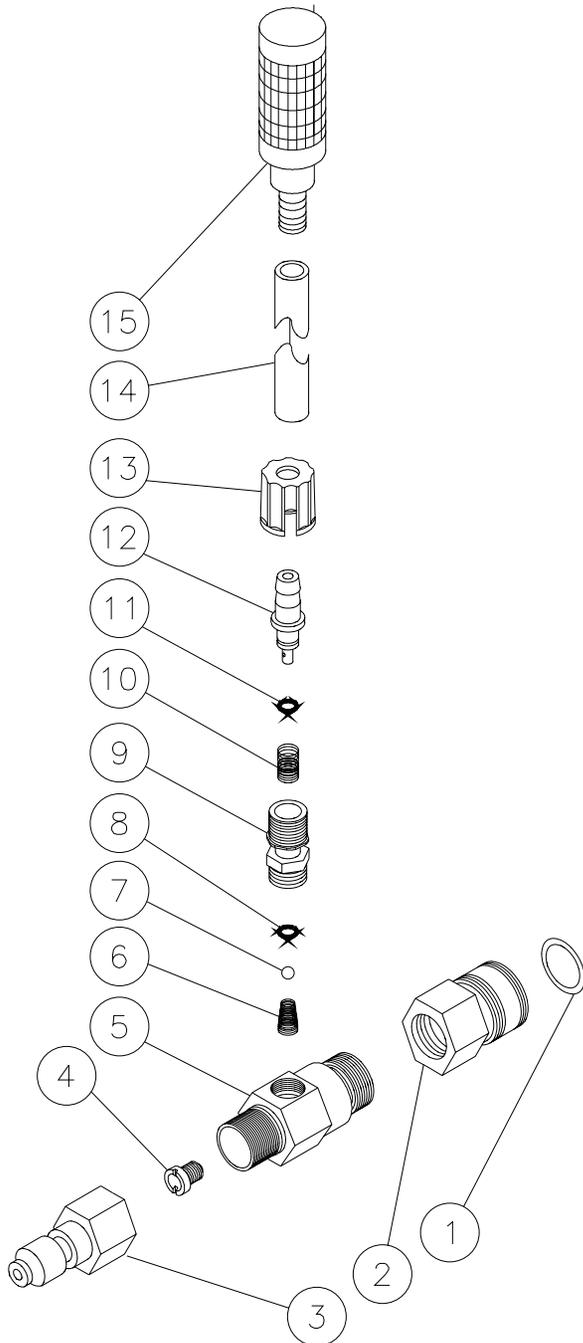
OMGEN011-080595-JTR

WATER STRAINER (19-0004)			
REF. #	DESCRIPTION	PART #	QTY.
1	Strainer Cap	19-0024	1
2	Strainer Gasket	26-0072	1
3	Strainer Screen	19-0015	1
4	Strainer Bowl	19-0025	1

OMGEN011-080595-JTR

DETERGENT INJECTOR (850-0183)

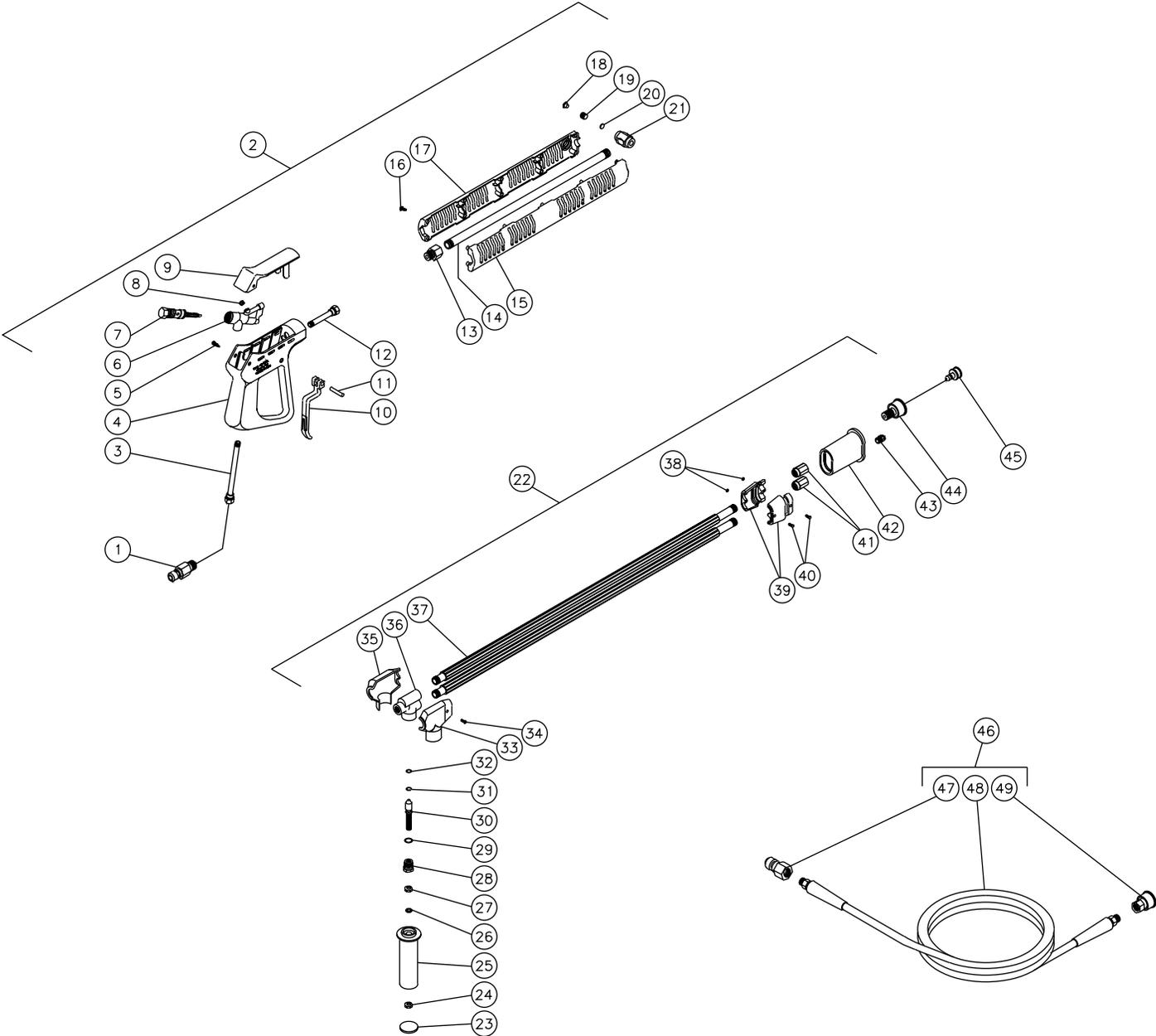
850-0183-032499-BAR



DETERGENT INJECTOR (850-0183)			
REF. #	DESCRIPTION	PART #	QTY.
1	O-ring (Replacement)	25-0123	1
2	Quick Connect Socket	17-0004	1
3	Quick Connect Plug	17-0006	1
4	Orifice 2.1mm	50-0057	1
5	Injector Body-Brass	N/A	1
6	Spring (Must order 852-0056)	N/A Sep.	1
7	Ball (Must order 852-0056)	N/A Sep.	1
8	O-ring (Must order 852-0056)	N/A Sep.	1
9	Piston Retainer	50-0156	1
10	Spring	49-0056	1
11	O-ring (Must order 852-0056)	N/A Sep.	1
12	Adjustable Shutter Barb	50-0157	1
13	Adjusting Knob-Black Plastic	50-0158	1
14	Hose *(Six Feet Required)	15-0021	1
15	Detergent Strainer	19-0050	1
	Detergent Injector Complete (Includes 4-13)	50-0052	
	Repair Kit (Includes 6-8, 11)	852-0056	
*Must Order in One Foot Lengths			

850-0183-032499-BAR

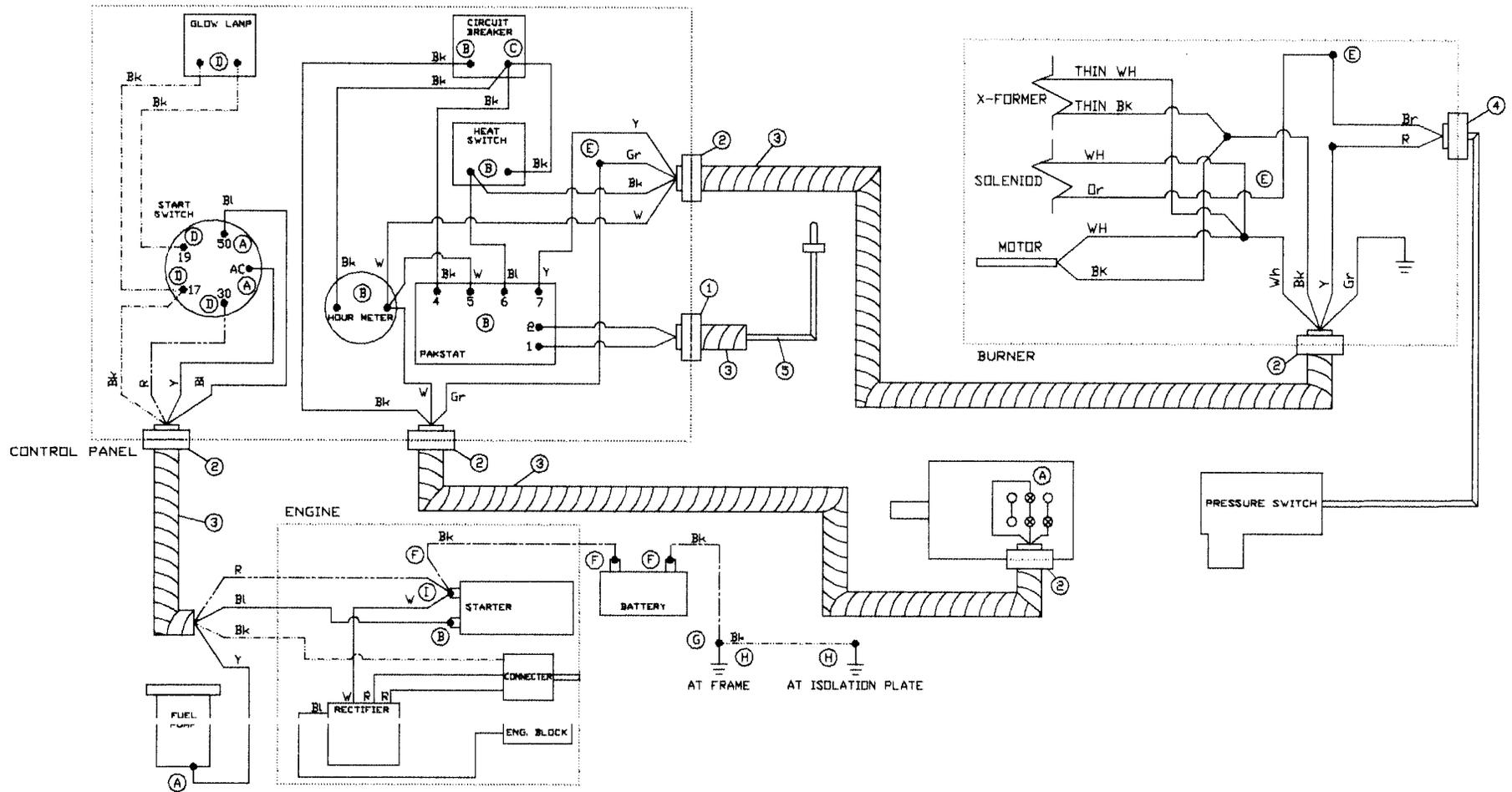
GUN WAND (850-0181) & DUAL LANCE (850-0178 & 851-0006) ASSEMBLY



OMGEN218-040997-JTR

GUN/WAND (850-0181) & DUAL LANCE (850-0178 & 851-0006) ASSEMBLY							
REF. #	DESCRIPTION	PART #	QTY.	REF. #	DESCRIPTION	PART #	QTY.
1	Quick Connect Plug	17-0005	1	30	Piston	16-0314	1
2	Gun/Lance Assembly (Includes 3-21)	850-0181	1	31	Back-up Ring	25-0352	1
3	Pipe Assembly	16-0016	1	32	O-ring	25-0353	1
4	Plastic Housing	16-0008	1	33	Upper Protector	16-0315	1
5	Screw	27-3230	2	34	Screw	27-8862	1
6	Housing	16-0012	1	35	Lower Protector	16-0316	1
7	Gun Repair Kit	70-0055	1	36	Body	23-0272	1
8	Plug	39-0024	1	37	Lance w/Protective Cover	16-0317	2
9	Cover	16-0009	1	38	Hex Nut	30-3060	2
10	Trigger Safety Lock-off	16-0010	1	39	Pipe Clamp	16-0318	2
11	Trigger Pin	16-0063	1	40	Screw	27-8861	2
12	Pipe Assembly	16-0013	1	41	Nipple	24-0127	2
13	Adaptor	16-0283	1	42	Nozzle Protector	16-0319	1
14	Pipe	16-0277	1	43	Detergent Nozzle	18-0110	1
15	Guard Lance (Right Side)	16-0320	1	44	Quick Connect Socket	17-0028	1
16	Screw	27-8382	6	45	Nozzle - 0005.5 for HS-3005	18-0035	1
17	Guard Lance (Left Side)	16-0321	1	-	Nozzle - 1505.5 for HS-3005	18-0041	1
18	Plug	39-0076	1	-	Nozzle - 2505.5 for HS-3005	18-0062	1
19	Screw	49-0103	1	-	Nozzle - 4005.5 for HS-3005	18-0132	1
20	Spacer	16-0282	1	-	Nozzle - 0006.5 for HS-3006	18-0165	1
21	Lance Holder (See Kit 16-0306)	N/A Sep.	1	-	Nozzle - 1506.5 for HS-3006	18-0057	1
22	Dual Lance Assembly (Inc. 23-44)	850-0178	1	-	Nozzle - 2506.5 for HS-3006	18-0166	1
23	Handle Plug	16-0312	1	-	Nozzle - 4006.5 for HS-3006	18-0167	1
24	Hex Nut	30-3002	1	46	Hose Assembly (Inc. 47-49)	851-0006	1
25	Handle	16-0313	1	47	Quick Connect Plug	17-0006	1
26	Washer	28-1021	1	48	Hose	15-0004	1
27	Hex Nut	30-3010	1	49	Quick Connect Socket	17-0004	1
28	Hex Adaptor	23-0271	1		Lance Assembly (13-21)	16-0306	
29	O-ring	25-0351	1		O-ring Kit (Includes 29, 31, 32)	70-0143	

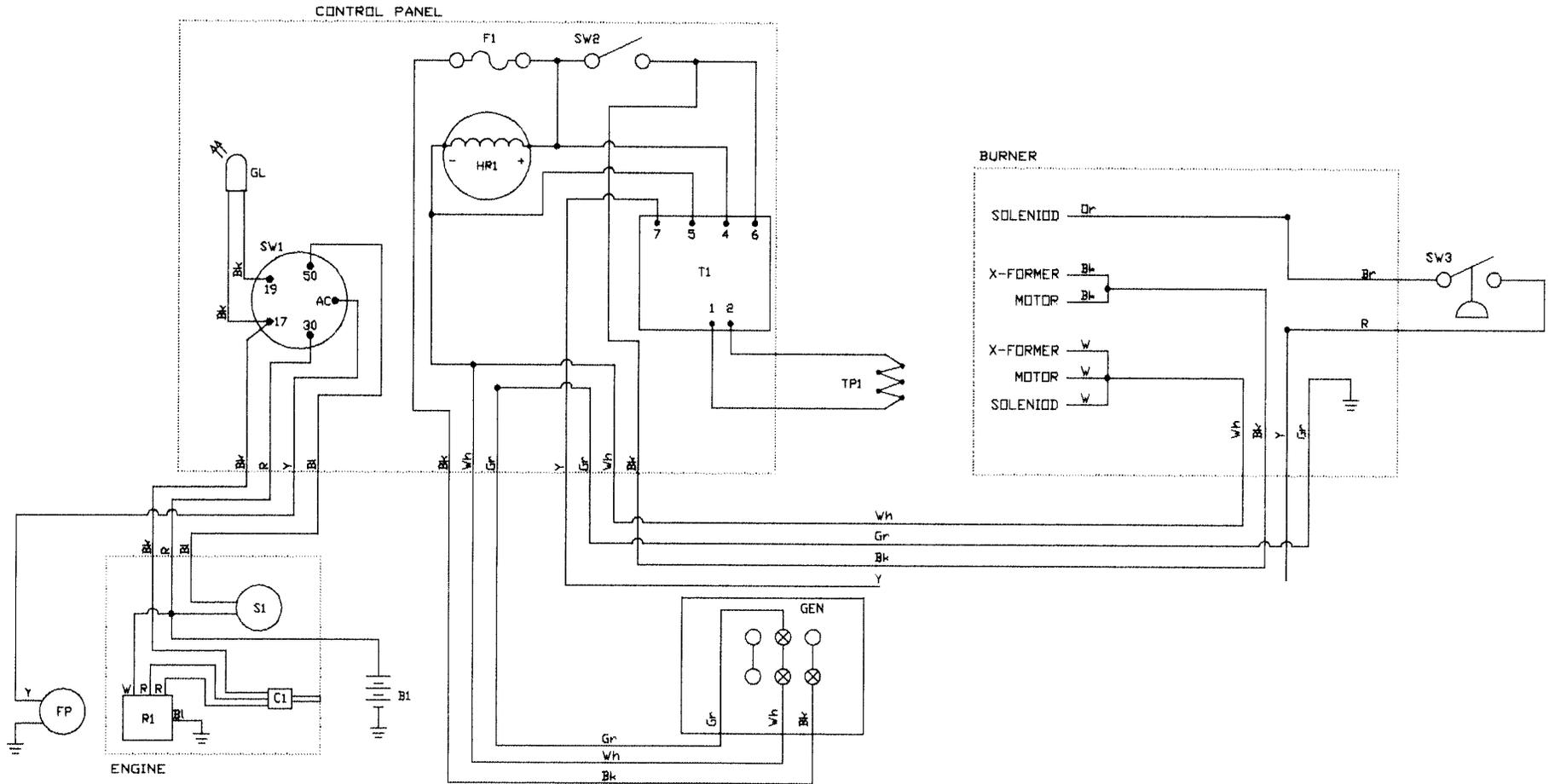
WIRING DIAGRAM FOR HS-3005-CMK0



OMHS028D-083095-JTR

WIRING DIAGRAM FOR HS-3005-CMK0								
REF. #	DESCRIPTION	PART #	QTY.		REF. #	DESCRIPTION	PART #	QTY.
1	Straight Connect	32-0255	2		F	Ring Terminal	32-0097	3
2	Elbow Connect	32-0254	3		G	Ring Terminal	32-0098	1
3	Flex Conduit *(Twelve Feet Required)	32-0253	1		H	Ring Terminal	32-0004	2
4	Connector	32-0076	1		I	Ring Terminal	32-0052	2
5	Wrap *(Four Feet Required)	33-0114	1		Bl	Blue Wire *(Seven Feet Required)	32-0093	1
A	Ring Terminal	32-0099	3		Gr	Green Wire *(Eight Feet Required)	32-0248	1
B	Q.C. Terminal	32-0221	9		Bk	Black Wire *(Twenty-one Feet Required)	32-0256	1
C	Q.C. Terminal	32-0222	1		Wh	White Wire *(Sixteen Feet Required)	32-0094	1
D	Fork Terminal	32-0034	1		Y	Yellow Wire *(Twenty Feet Required)	32-0095	1
E	Crimped Wire Splice	32-0359	5		R	Red Wire *(Twenty Feet Required)	32-0092	1
*Must Order in One Foot Lengths								

WIRING SCHEMATIC FOR HS-3005-CMK0

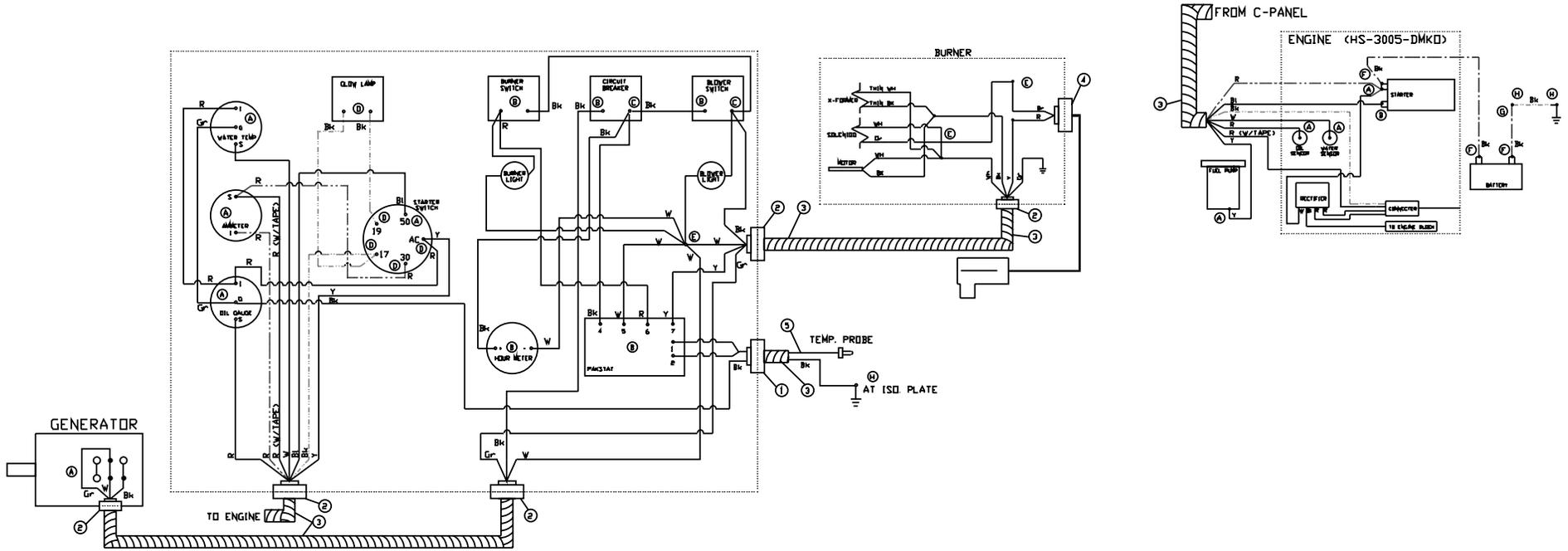


OMHS028S-083095-JTR

OMHS028S-083095-JTR

WIRING SCHEMATIC FOR HS-3005-CMK0		
REF. #	DESCRIPTION	PART #
GEN	Generator	850-0096
SW1	Starter Switch	22-0049
SW2	Switch	22-0053
SW3	Pressure Switch	850-0173
HR1	Hour Meter	32-0259
T1	Thermostat	22-0117
TP1	Thermoprobe (See 22-0117)	N/A Sep.
F1	Fuse	32-0240
GL	Glow Lamp	32-0120
FP	Fuel Pump	3-0017
S1	Starter (w/Engine)	N/A
R1	Rectifier (w/Engine)	N/A
B1	Battery	32-0059

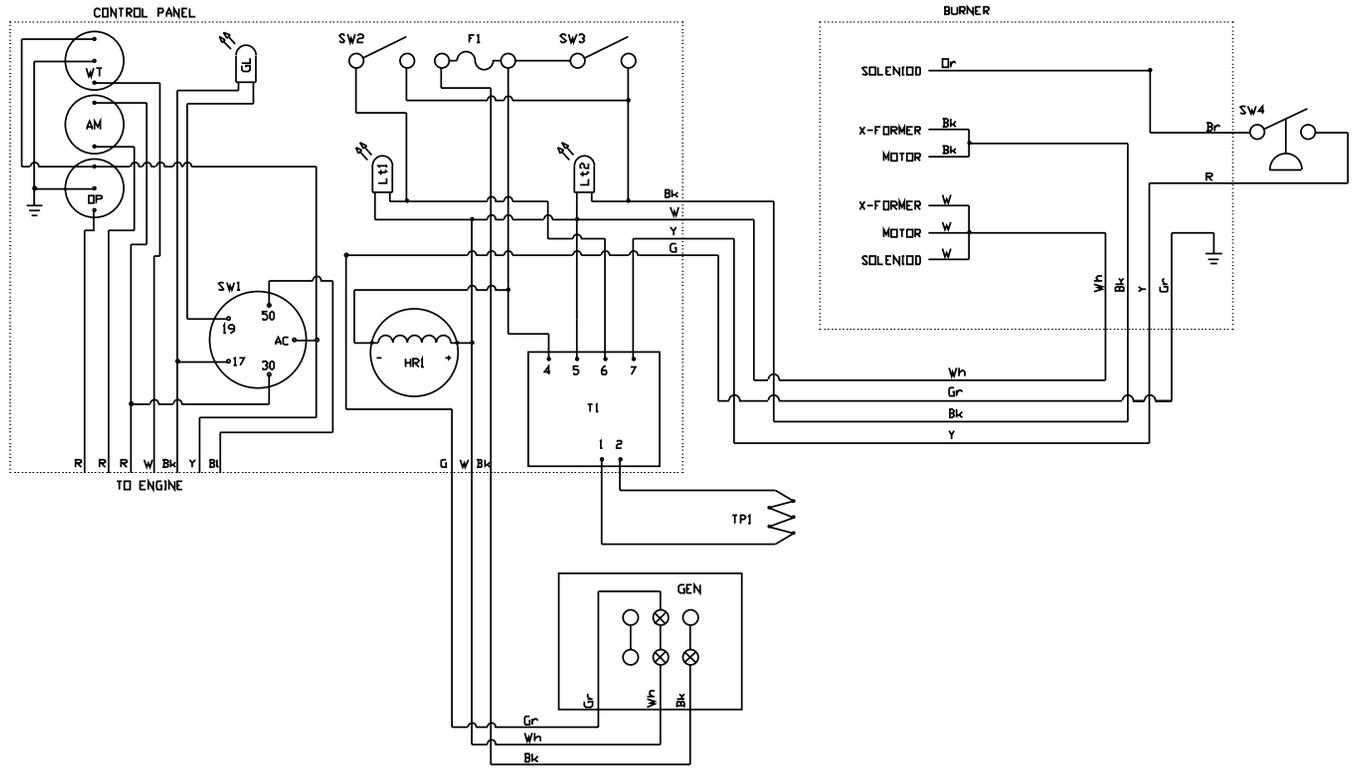
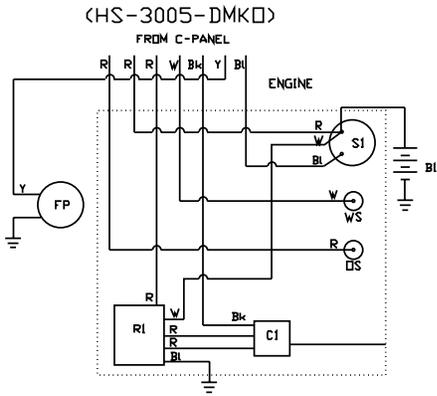
WIRING DIAGRAM FOR HS-3005/3006-DMK0



OMHS029D-091896-JTR

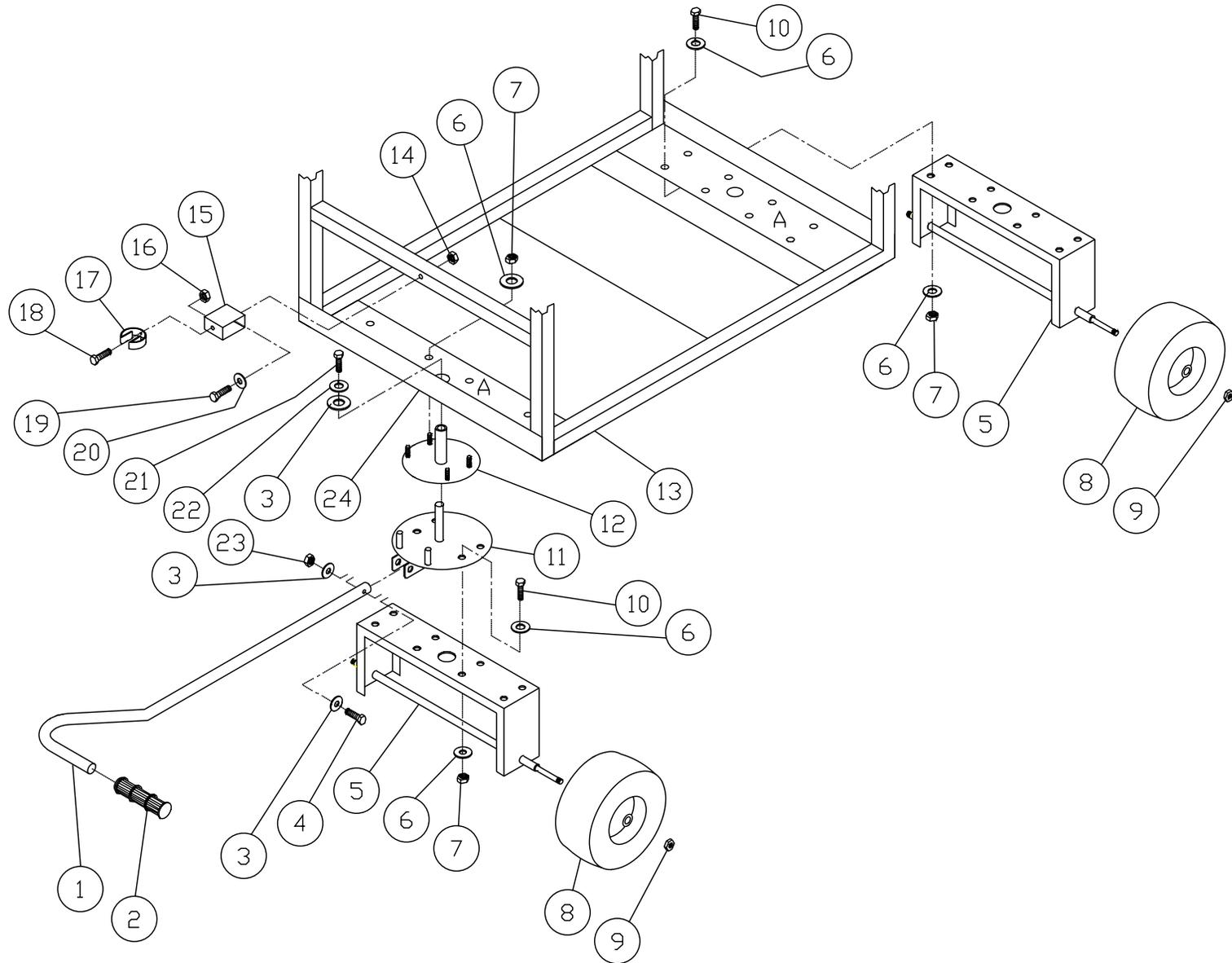
WIRING DIAGRAM FOR HS-3005/3006-DMK0							
REF. #	DESCRIPTION	PART #	QTY.	REF. #	DESCRIPTION	PART #	QTY.
1	Straight Connect	32-0255	2	F	Ring Terminal	32-0097	3
2	Elbow Connect	32-0254	3	G	Ring Terminal	32-0098	1
3	Flex Conduit *(Twelve Feet Required)	32-0253	1	H	Ring Terminal	32-0004	3
4	Connector	32-0085	1	Bl	Blue Wire *(Seven Feet Required)	32-0093	1
5	Wrap *(Four Feet Required)	33-0114	1	Gr	Green Wire *(Eight Feet Required)	32-0248	1
A	Ring Terminal	32-0099	3	Bk	Black Wire *(Twenty-three Feet Required)	32-0256	1
B	Q.C. Terminal	32-0221	9	Wh	White Wire *(Sixteen Feet Required)	32-0094	1
C	Q.C. Terminal	32-0222	1	Y	Yellow Wire *(Twenty Feet Required)	32-0095	1
D	Fork Terminal	32-0034	1	R	Red Wire *(Twenty Feet Required)	32-0092	1
E	Crimped Wire Splice	32-0359	1	*Must Order in One Foot Lengths			

WIRING SCHEMATIC FOR HS-3005/3006-DMK0



WIRING SCHEMATIC FOR HS-3005/3006-DMK0						
REF. #	DESCRIPTION	PART #		REF. #	DESCRIPTION	PART #
GEN	Generator	850-0096		S1	Starter (w/Engine)	N/A
SW1	Starter Switch	22-0049		R1	Rectifier (w/Engine)	N/A
SW2	Switch	22-0053		B1	Battery	32-0059
SW3	Switch	22-0053		ALT	Engine Alternator (w/Engine)	N/A
SW4	Pressure Switch	850-0173		WT	Water Temperature Gauge	22-0103
HR1	Hour Meter	32-0259		AM	Ammeter	22-0100
T1	Thermostat	22-0117		OP	Oil Pressure Gauge	22-0101
TP1	Thermoprobe (See 22-0117)	N/A Sep.		GP	Glow Plug (w/Engine)	N/A
F1	Fuse	32-0240		WS	Water Temperature Sensor	22-0104
GL	Glow Lamp	32-0120		OS	Oil Pressure Sensor	22-0102
FP	Fuel Pump	3-0017				

WHEEL KIT (AW-5540/5640-0000)

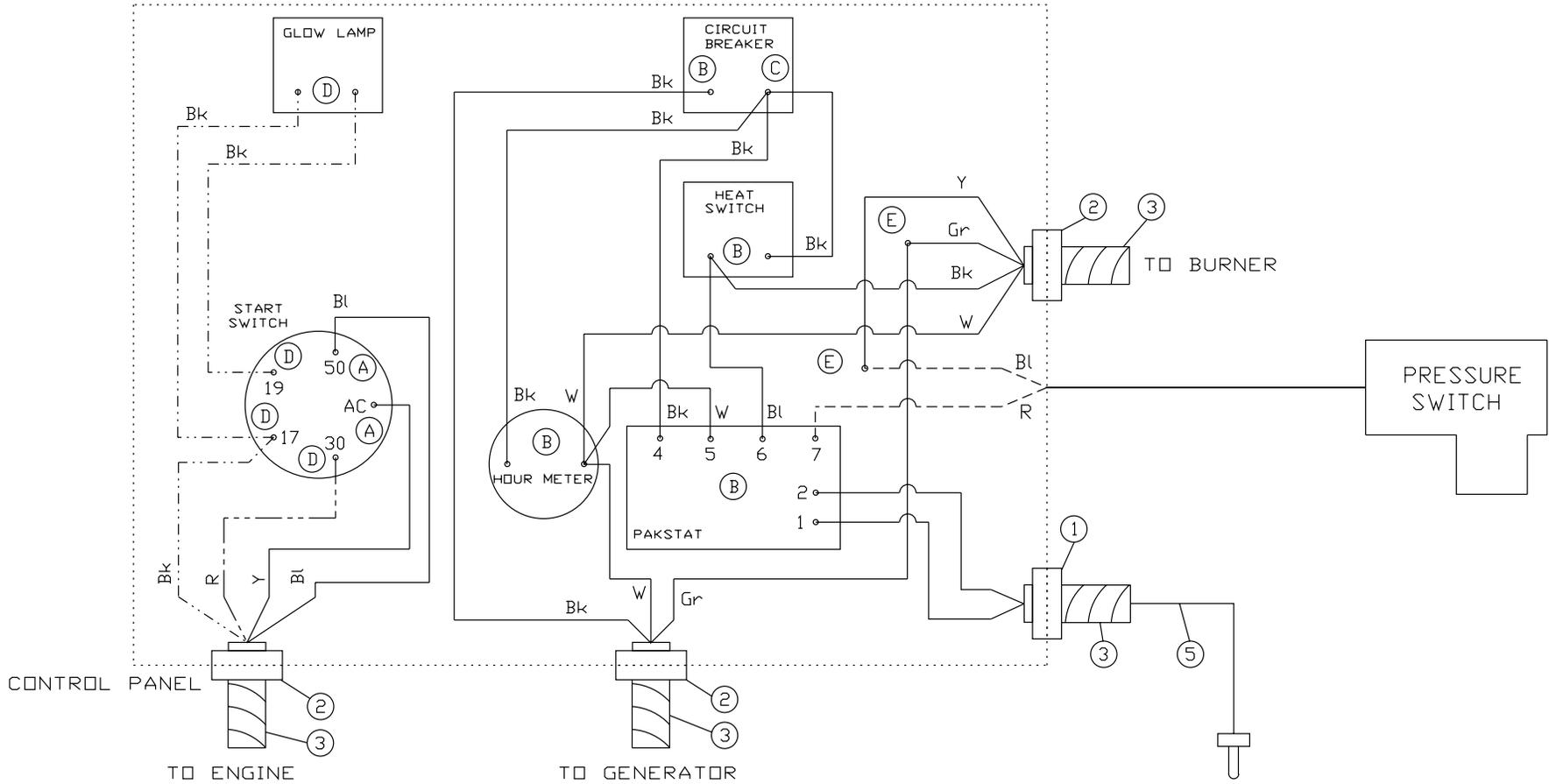


AW5540/5640-0000-102496-JTR

WHEEL KIT (AW-5540/5640-0000)			
REF. #	DESCRIPTION	PART #	QTY.
1	Handle	20-0252	1
2	Handle Grip	7-0059	1
3	Washer	28-0023	3
4	Bolt	27-0121	1
5	Wheel Underbracket	20-0185	2
6	Washer	28-0003	20
7	Locknut	30-0157	12
8	Wheel	14-0006	4
9	Jam Nut	30-0117	4
10	Bolt	27-0067	8
11	Turn Disk-Bottom Assembly	20-0249	1
12	Turn Disk-Top Assembly	20-0250	1
13	Frame	5-0092	1
14	Locknut	30-0155	1
15	Brace	20-0253	1
16	Locknut	30-0154	1
17	Gripper Clip	33-0104	1
18	Screw	27-2930	1
19	Bolt	27-0015	1
20	Washer	28-0002	1
21	Bolt	27-0117	1
22	Lockwasher	29-0008	1
23	Locknut	30-0159	1
24	Underbracket (AW-5540-0000) for HS-3005-CMK0	20-0251	1
-	Underbracket (AW-5640-0000) for HS-3005/3006-DMK0	13-0078	1

STEAM OPTION (HX-0017)			
REF. #	DESCRIPTION	PART #	QTY.
1	Hose *(Two Feet Required)	15-0007	1
2	Clamp	42-0011	2
3	Barb	23-0120	1
4	Valve	22-0110	1
5	Tee	23-0127	1
6	Elbow	23-0130	1
7	Valve	22-0120	1
8	Washer	28-0024	2
9	Pressure Switch	22-0119	1
10	Hose	15-0072	1
11	Decal-Open for Steam	34-0239	1
12	Decal-Steam	34-0227	1
13	Decal-Instruction Steam	34-0256	1
14	Nozzle	18-0183	1
15	Connector	23-0002	1
16	Lance	16-0111	1
17	Hose (Fifty Feet Required)	15-0077	1
18	Quick Connect	17-0006	1
19	Gun Stub	16-0064	1
20	Connect	24-0049	2
*Must Order in One Foot Lengths			

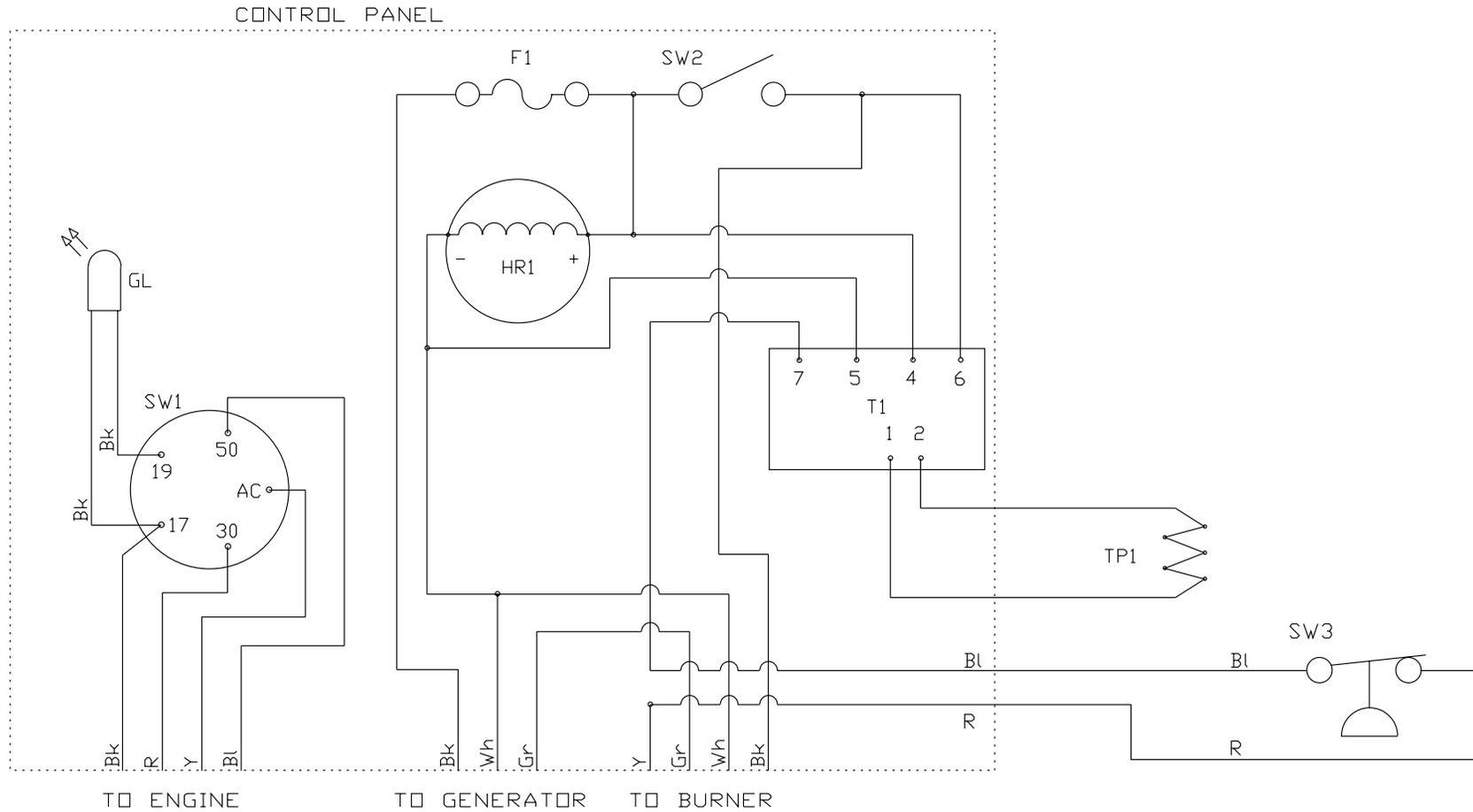
STEAM OPTION (HX-0017) WIRING DIAGRAM FOR HS-3005-CMK0



PDHS034D-091295-JTR

STEAM OPTION (HX-0017) WIRING DIAGRAM FOR HS-3005-CMK0								
REF. #	DESCRIPTION	PART #	QTY.		REF. #	DESCRIPTION	PART #	QTY.
1	Straight Connect	32-0255	2		D	Fork Terminal	32-0034	1
2	Elbow Connect	32-0254	3		E	Crimped Wire Splice	32-0259	1
3	Flex Conduit *(Twelve Feet Required)	32-0253	1		Bl	Blue Wire *(Seven Feet Required)	32-0093	1
4	Connector	32-0085	1		Gr	Green Wire *(Eight Feet Required)	32-0248	1
5	Wrap *(Four Feet Required)	33-0114	1		Bk	Black Wire *(Twenty-one Feet Required)	32-0256	1
A	Ring Terminal	32-0099	3		Wh	White Wire *(Sixteen Feet Required)	32-0094	1
B	Q.C. Terminal	32-0221	9		Y	Yellow Wire *(Twenty Feet Required)	32-0095	1
C	Q.C. Terminal	32-0222	1		R	Red Wire *(Twenty Feet Required)	32-0092	1
*Must Order in One Foot Lengths								

STEAM OPTION (HX-0017) WIRING SCHEMATIC FOR HS-3005-CMK0

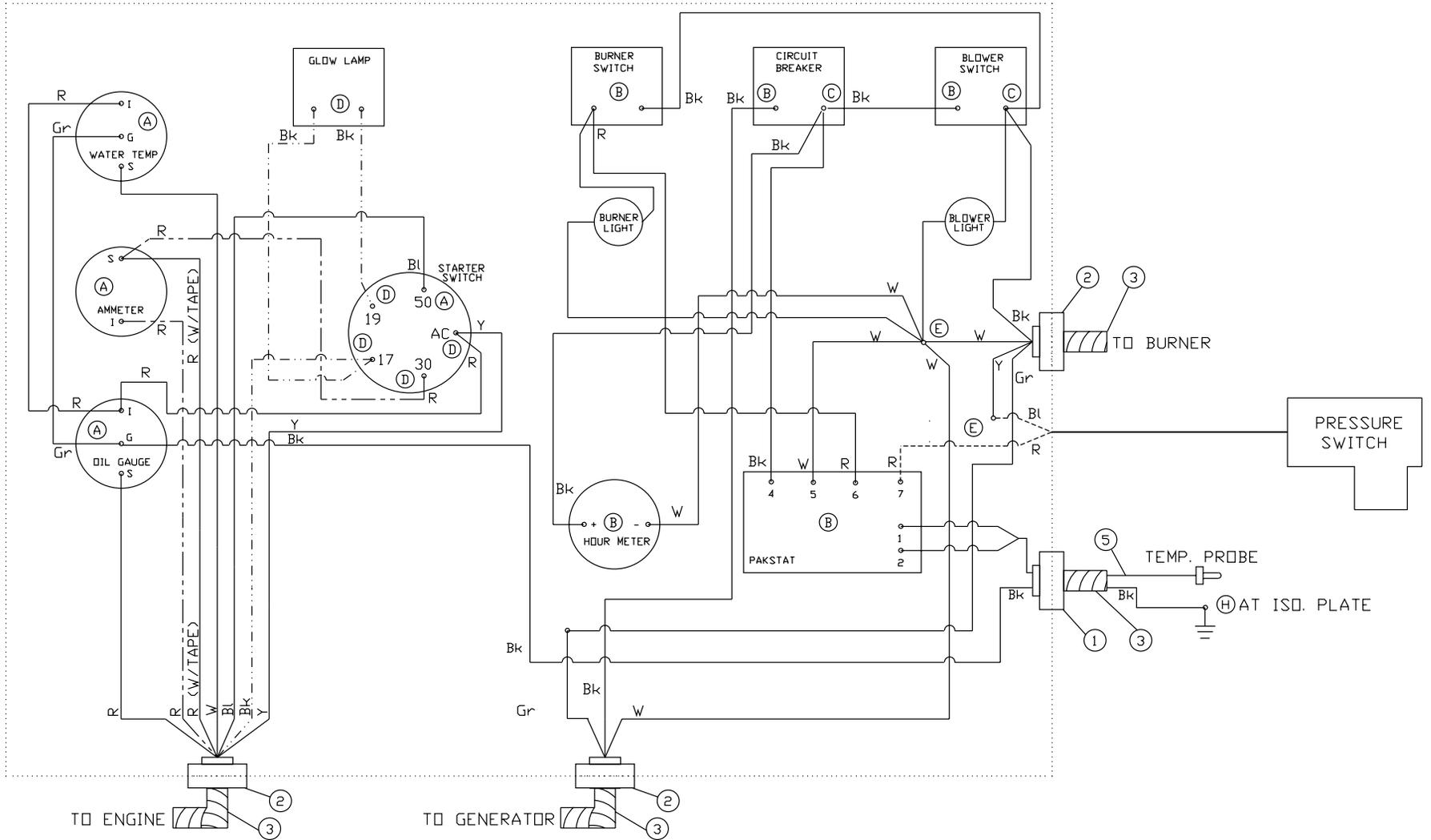


PDHS034S-091295-JTR

PDHS034S-091295-JTR

STEAM OPTION (HX-0017) WIRING SCHEMATIC FOR HS-3005-CMK0		
REF. #	DESCRIPTION	PART #
SW1	Starter Switch	22-0049
SW2	Switch	22-0053
SW3	Pressure Switch (Steam Switch)	22-0119
HR1	Hour Meter	32-0259
T1	Thermostat	22-0117
TP1	Thermoprobe (See 22-0117)	N/A Sep.
F1	Fuse	32-0240
GL	Glow Lamp	32-0120

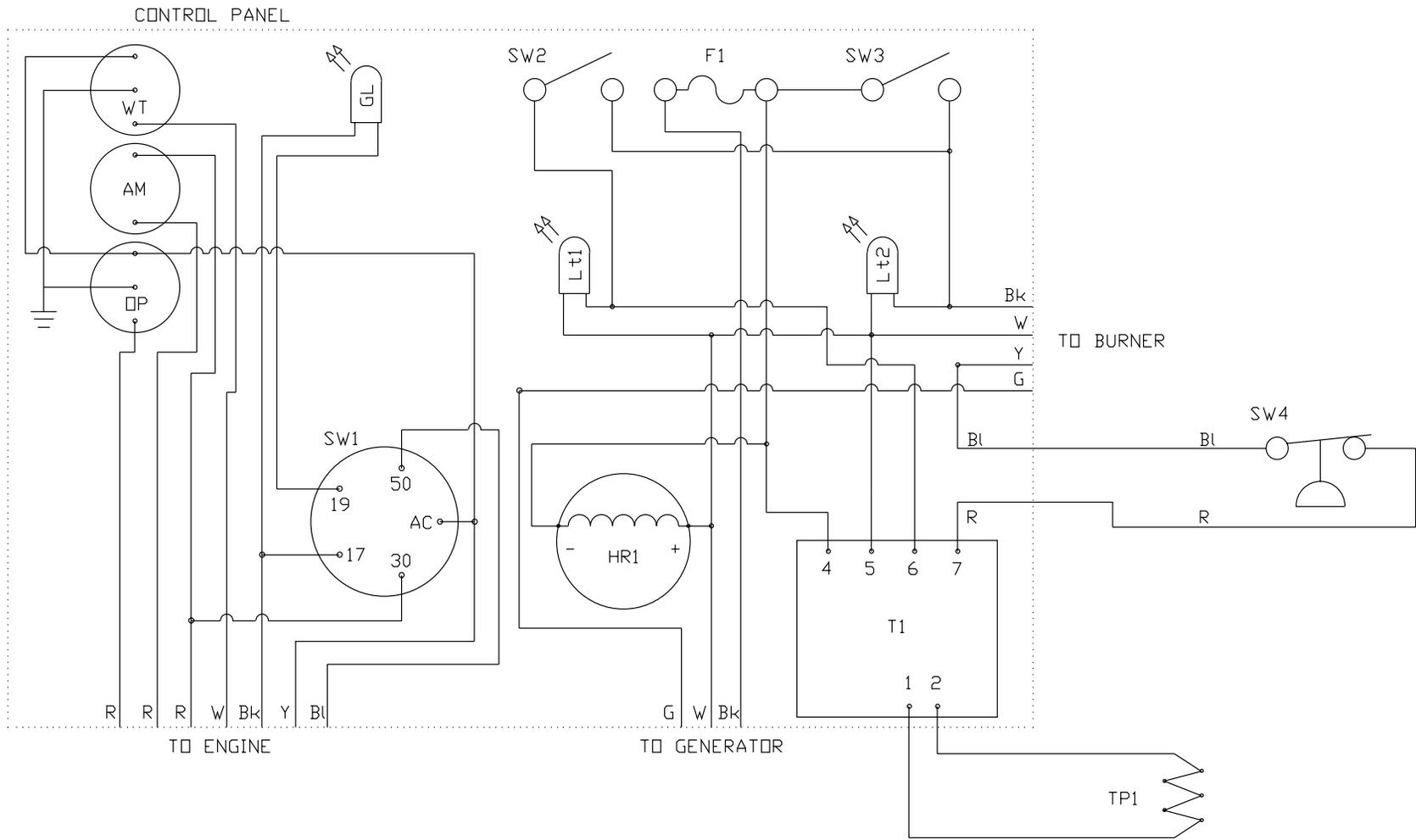
STEAM OPTION (HX-0017) WIRING DIAGRAM FOR HS-3005/3006-DMK0



PDHS031D-011597-JTR

STEAM OPTION (HX-0017) WIRING DIAGRAM FOR HS-3005/3006-DMK0							
REF. #	DESCRIPTION	PART #	QTY.	REF. #	DESCRIPTION	PART #	QTY.
1	Straight Connect	32-0255	2	E	Crimped Wire Splice	32-0259	1
2	Elbow Connect	32-0254	3	H	Ring Terminal	32-0004	3
3	Flex Conduit *(Twelve Feet Required)	32-0253	1	Bl	Blue Wire *(Seven Feet Required)	32-0093	1
4	Connector	32-0085	1	Gr	Green Wire *(Eight Feet Required)	32-0248	1
5	Wrap *(Four Feet Required)	33-0114	1	Bk	Black Wire *(Twenty-one Feet Required)	32-0256	1
A	Ring Terminal	32-0099	3	Wh	White Wire *(Sixteen Feet Required)	32-0094	1
B	Q.C. Terminal	32-0221	9	Y	Yellow Wire *(Twenty Feet Required)	32-0095	1
C	Q.C. Terminal	32-0222	1	R	Red Wire *(Twenty Feet Required)	32-0092	1
D	Fork Terminal	32-0034	1	*Must Order in One Foot Lengths			

STEAM OPTION (HX-0017) SCHEMATIC DIAGRAM FOR HS-3005/3006-DMK0

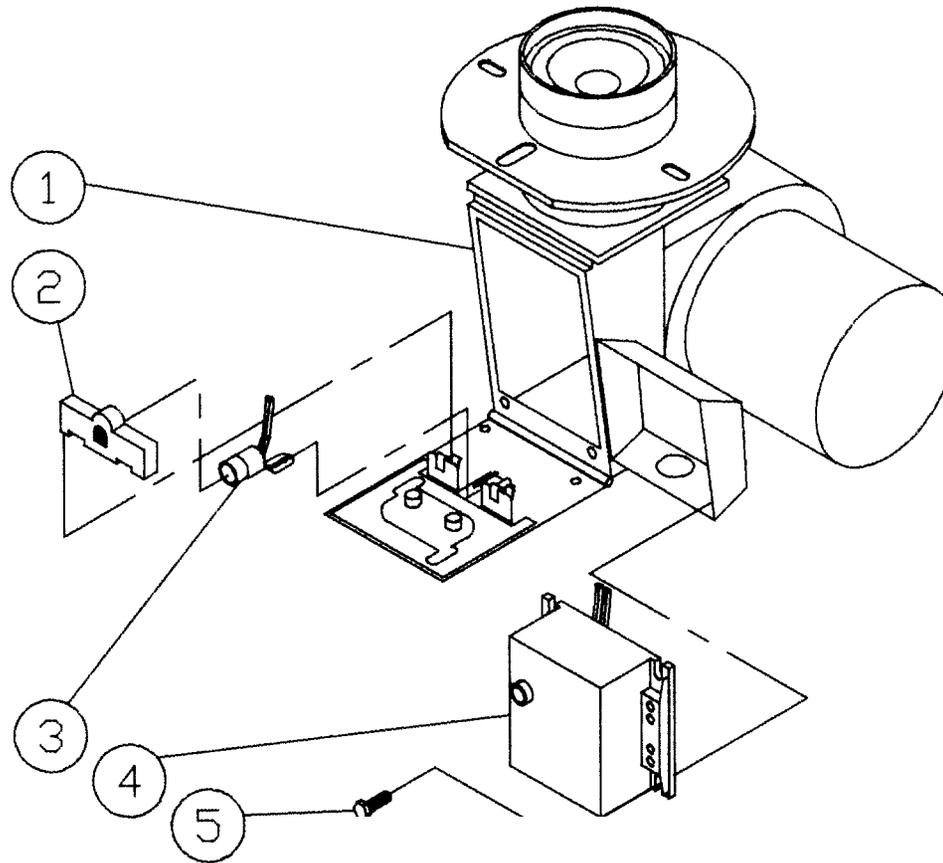


PDHS031S-011597-JTR

PDHS031S-011597-JTR

STEAM OPTION (HX-0017) SCHEMATIC DIAGRAM FOR HS-3005/3006-DMK0						
REF. #	DESCRIPTION	PART #		REF. #	DESCRIPTION	PART #
SW1	Starter Switch	22-0049		TP1	Thermoprobe (See 22-0117)	N/A Sep.
SW2	Switch	22-0053		F1	Fuse	32-0240
SW3	Switch	22-0053		GL	Glow Lamp	32-0120
SW4	Pressure Switch (Steam Switch)	22-0119		WT	Water Temperature Gauge	22-0103
HR1	Hour Meter	32-0259		AM	Ammeter	22-0100
T1	Thermostat	22-0117		OP	Oil Pressure Gauge	22-0101

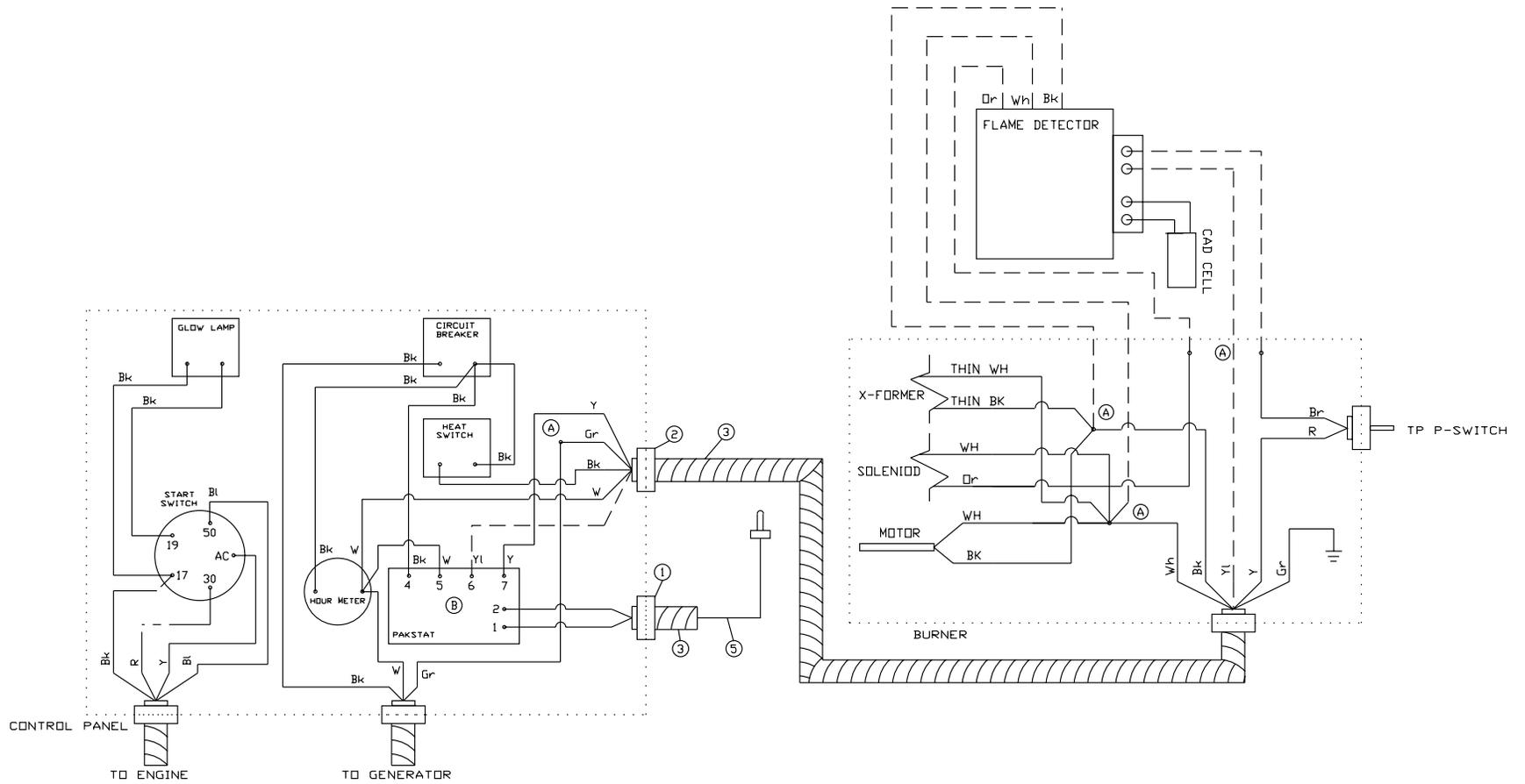
CAD CELL ASSEMBLY



PDHX035-091295-JTR

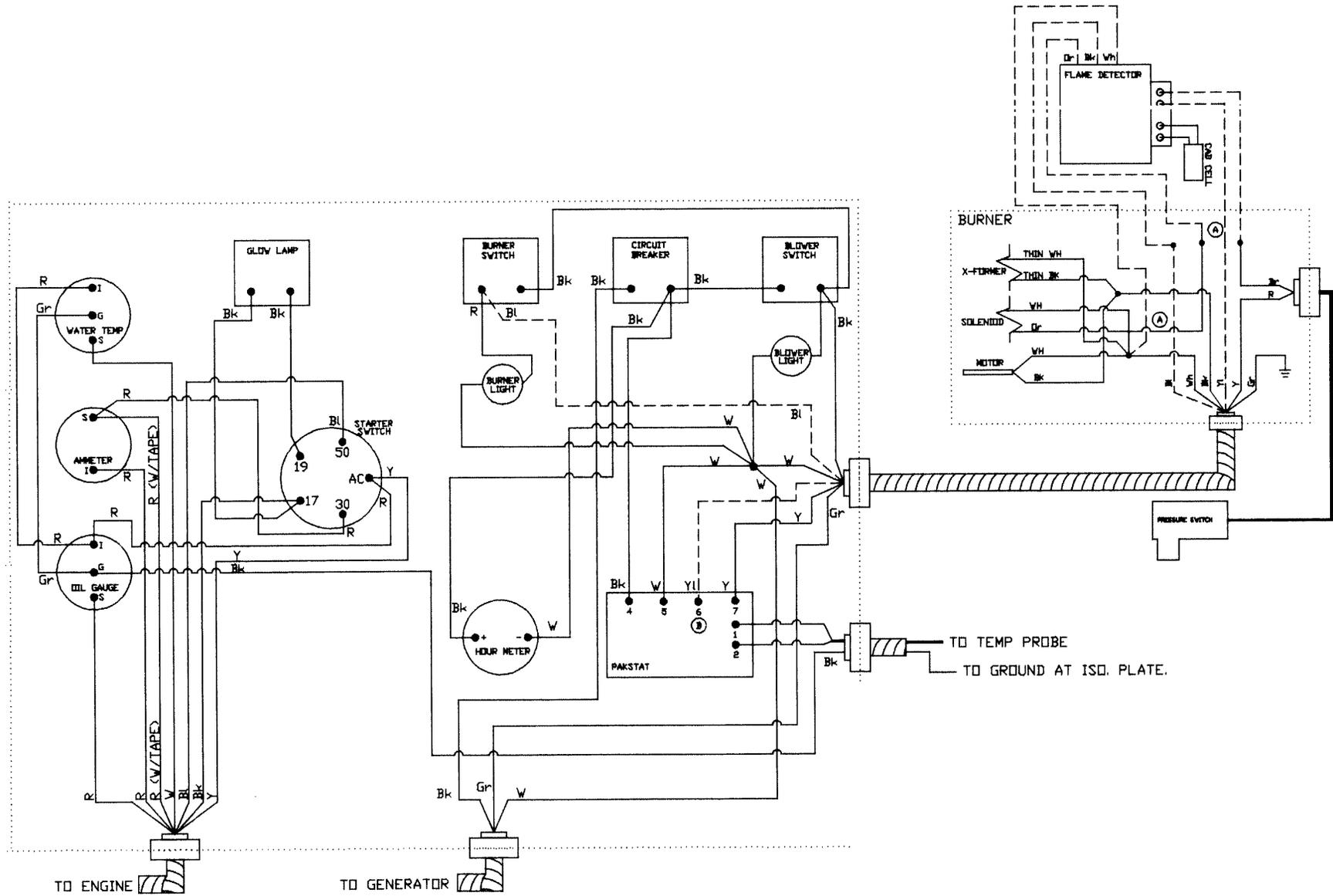
CAD CELL ASSEMBLY			
REF. #	DESCRIPTION	PART #	QTY.
1	Burner (120V)	4-0009	1
2	Pad (See 4-0009)	N/A Sep.	1
3	Cad Cell	44-0048	1
4	Flame Detector (120V)	44-0052	1
5	Screw (See 4-0009)	N/A Sep.	1

CAD CELL ASSEMBLY WIRING DIAGRAM FOR HS-3005-CMK0



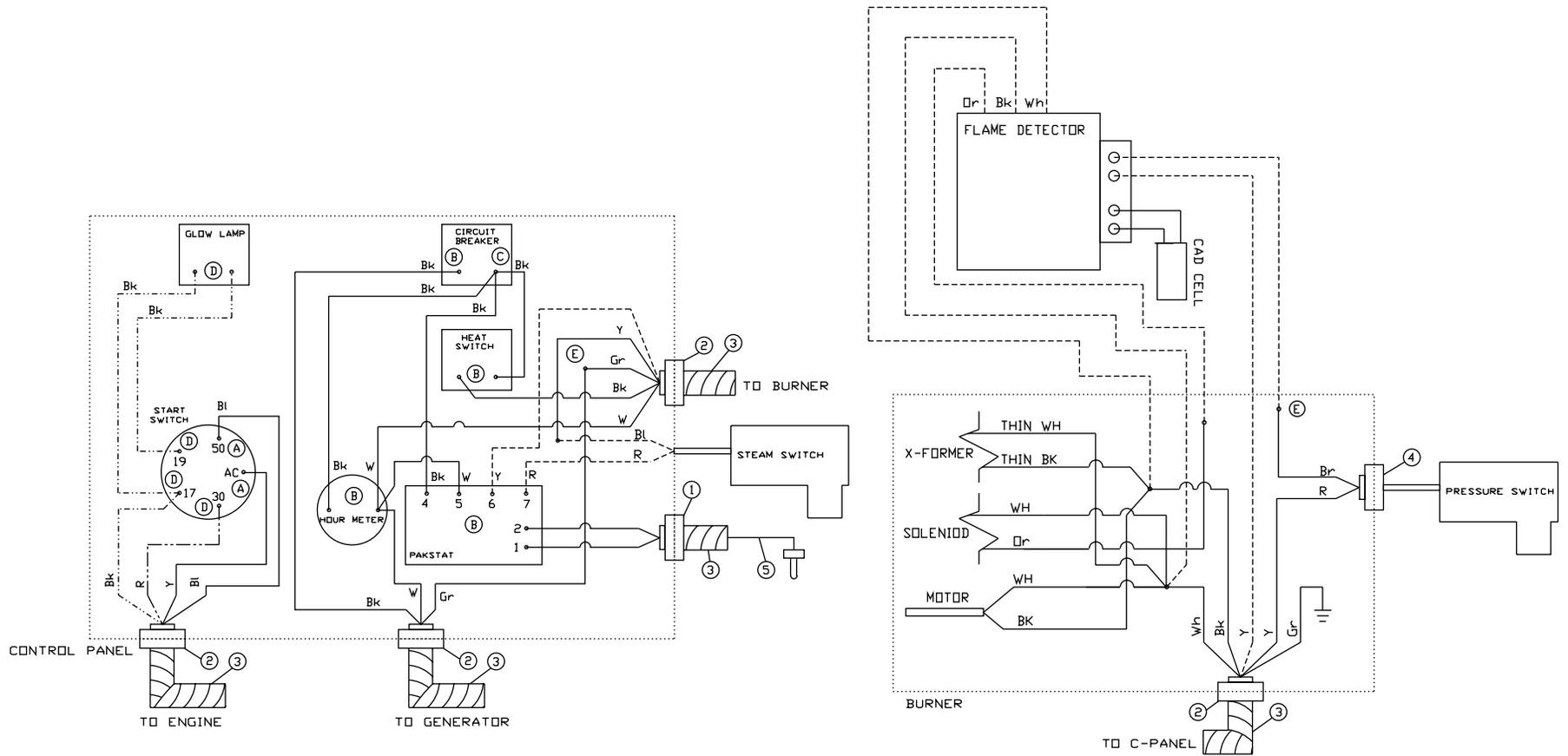
PDHX035D-091295-JTR

CAD CELL ASSEMBLY WIRING DIAGRAM FOR HS-3005/3006-DMK0



PDHX034W-091295-JTR

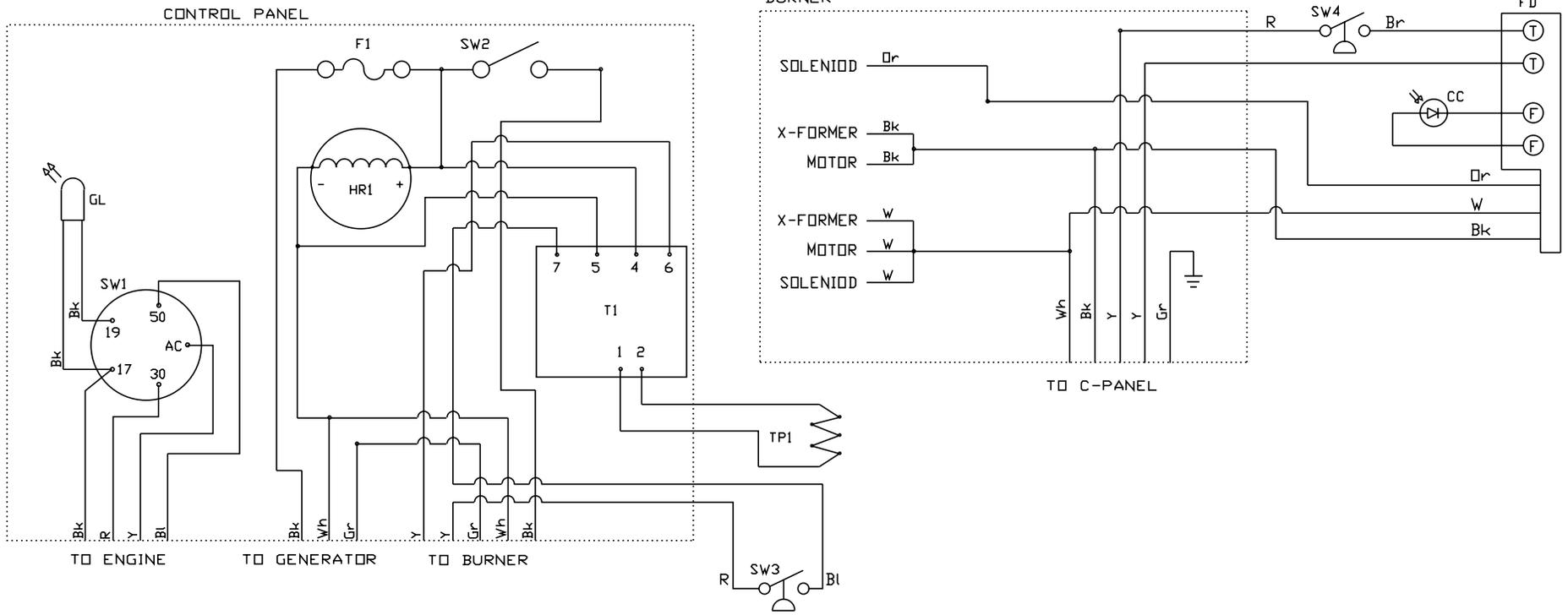
CAD CELL/STEAM COMBINATION WIRING DIAGRAM FOR HS-3005-CMK0



PDHX037D-083095-JTR

CAD CELL/STEAM COMBINATION WIRING DIAGRAM FOR HS-3005-CMK0								
REF. #	DESCRIPTION	PART #	QTY.		REF. #	DESCRIPTION	PART #	QTY.
1	Straight Connect	32-0255	2		D	Fork Terminal	32-0034	1
2	Elbow Connect	32-0254	3		E	Crimped Wire Splice	32-0259	1
3	Flex Conduit *(Twelve Feet Required)	32-0253	1		Bl	Blue Wire *(Twelve Feet Required)	32-0093	1
4	Connector	32-0085	1		Gr	Green Wire *(Eight Feet Required)	32-0248	1
5	Wrap *(Four Feet Required)	33-0114	1		Bk	Black Wire *(Twenty-one Feet Required)	32-0256	1
A	Ring Terminal	32-0099	3		Wh	White Wire *(Sixteen Feet Required)	32-0094	1
B	Q.C. Terminal	32-0221	9		Y	Yellow Wire *(Twenty-six Feet Required)	32-0095	1
C	Q.C. Terminal	32-0222	1		R	Red Wire *(Twenty Feet Required)	32-0092	1
*Must Order in One Foot Lengths								

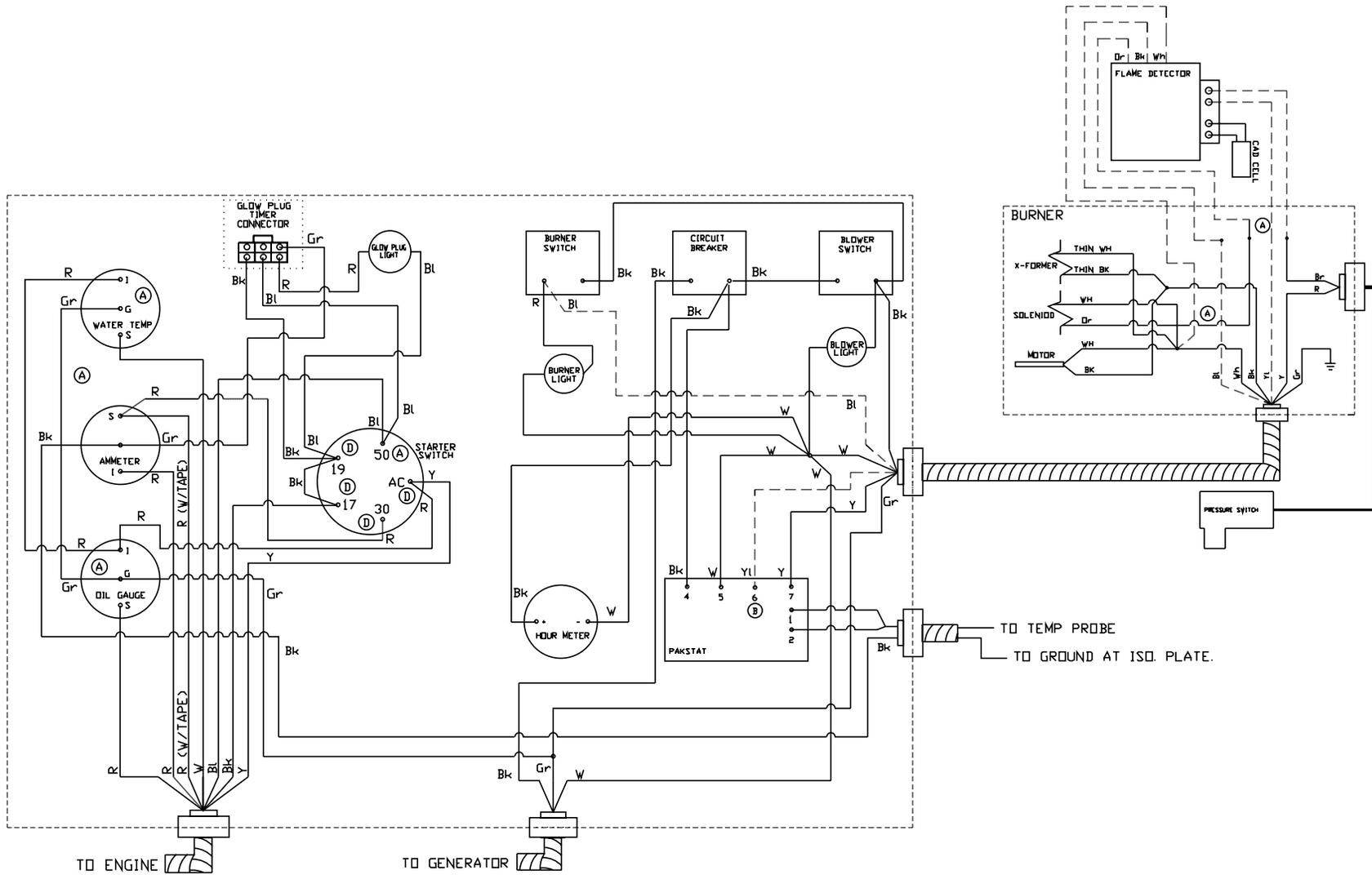
CAD CELL/STEAM COMBINATION WIRING SCHEMATIC FOR HS-3005-CMK0



PDHX037S-083095-JTR

CAD CELL/STEAM COMBINATION WIRING SCHEMATIC FOR HS-3005-CMK0		
REF. #	DESCRIPTION	PART #
GEN	Generator	850-0096
SW1	Starter Switch	22-0049
SW2	Switch	22-0053
SW3	Pressure Switch	850-0173
SW4	Steam Pressure Switch	22-0119
HR1	Hour Meter	32-0259
T1	Thermostat	22-0117
TP1	Thermoprobe (See 22-0117)	N/A Sep.
F1	Fuse	32-0240
GL	Glow Lamp	32-0120
FD	Flame Detector	44-0052
CC	Cadium Cell	44-0048

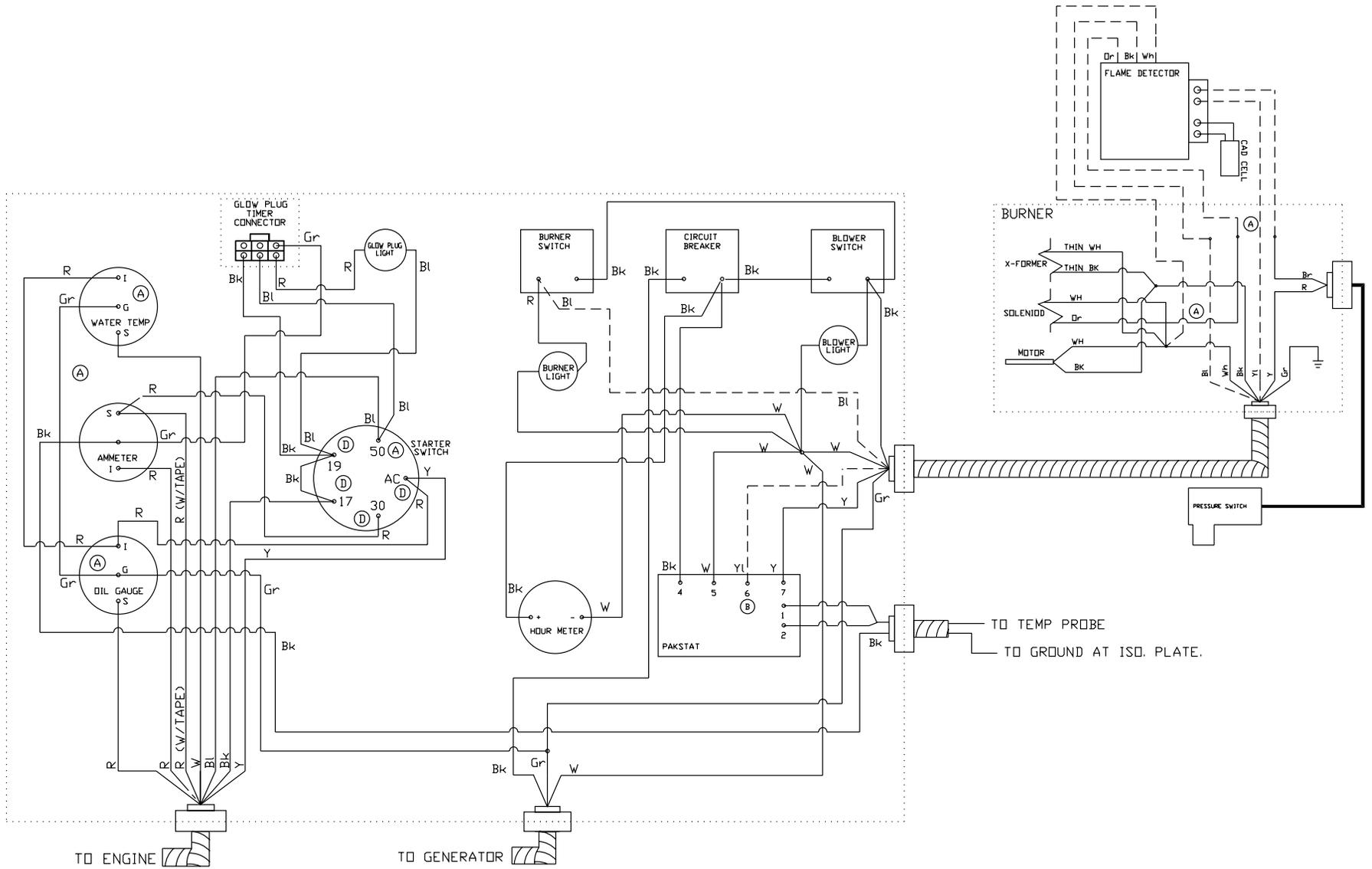
CAD CELL/STEAM COMBINATION WIRING DIAGRAM FOR HS-3005/3006-DMK0



PDHS036D-091195-JTR

CAD CELL/STEAM COMBINATION WIRING DIAGRAM FOR HS-3005/3006-DMK0								
REF. #	DESCRIPTION	PART #	QTY.		REF. #	DESCRIPTION	PART #	QTY.
1	Straight Connect	32-0255	2		F	Ring Terminal	32-0097	3
2	Elbow Connect	32-0254	3		G	Ring Terminal	32-0098	1
3	Flex Conduit *(Twelve Feet Required)	32-0253	1		H	Ring Terminal	32-0004	3
4	Connector	32-0085	1		Bl	Blue Wire *(Twelve Feet Required)	32-0093	1
5	Wrap *(Four Feet Required)	33-0114	1		Gr	Green Wire *(Eight Feet Required)	32-0248	1
A	Ring Terminal	32-0099	3		Bk	Black Wire *(Twenty-three Feet Required)	32-0256	1
B	Q.C. Terminal	32-0221	9		Wh	White Wire *(Sixteen Feet Required)	32-0094	1
C	Q.C. Terminal	32-0222	1		Y	Yellow Wire *(Twenty-six Feet Required)	32-0095	1
D	Fork Terminal	32-0034	1		R	Red Wire *(Twenty Feet Required)	32-0092	1
E	Crimped Wire Splice	32-0259	1		*Must Order in One Foot Lengths			

CAD CELL/STEAM COMBINATION WIRING SCHEMATIC FOR HS-3005/3006-DMK0



PDHS036S-011597-JTR

CAD CELL/STEAM COMBINATION WIRING COMBINATION FOR HS-3005/3006-DMK0

REF. #	DESCRIPTION	PART #	REF. #	DESCRIPTION	PART #
SW1	Starter Switch	22-0049	F1	Fuse	32-0240
SW2	Switch	22-0053	GL	Glow Lamp	32-0120
SW3	Switch	22-0053	WT	Water Temperature Gauge	22-0103
SW4	Pressure Switch	850-0173	AM	Ammeter	22-0100
SW5	Steam Pressure Switch	22-0119	OP	Oil Pressure Gauge	22-0101
HR1	Hour Meter	32-0259	FD	Flame Detector	44-0052
T1	Thermostat	22-0117	CC	Cadium Cell	44-0048
TP1	Thermoprobe (See 22-0117)	N/A Sep.			

