



Spare parts list

(11501050) HD 650 -CSA*CA

(11501060) HD 650

(11501100) HD 651

(11501110) HD 651 *CSA-CA

(11501150) HD 651 PETSMART

(11508020) POWER AMERICA 504

CONTENT LIST

1.0 PIECE PARTS

2.0 PUMP SET

2.1 CYLINDER HEAD

2.2 SUCTION SIDE

2.3 PHYSICAL PAGE

2.4 PISTON

3.0 MOTOR

3.1 VENTILATION

3.2 ACTUATION

4.0 ACCESSORIES

4.1 TRIGGER GUN

4.2 JET PIPE

4.3 NOZZLE

5.0 ELECTRIC CONTROL BOX

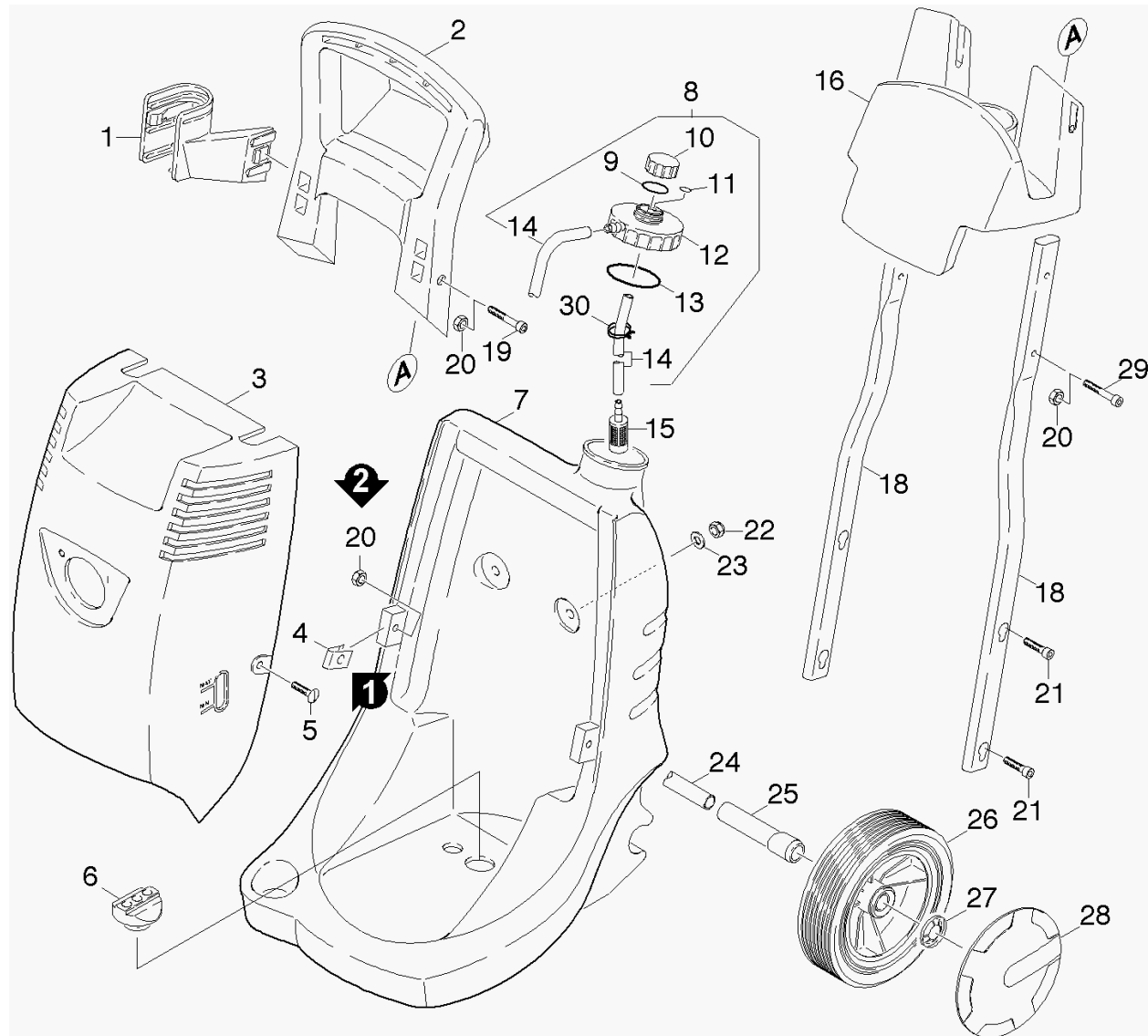
5.1 ELECTRIC CONTROL BOX

[HD 651](#)

5.2 ELECTRIC CONTROL BOX

[HD 650](#)

1.0 PIECE PARTS



1.0 PIECE PARTS

POS	DESCRIPTION ADDITIONAL INFORMATIONS	PART NO	QTY.	FROM SER.NR.	UP TO SER. NR.
1	BRACKET PISTOLE	50440820	1		
2	Shearing shackle	50345420	1		
3	COVER	50670460	1		
3	COVER	50671150	1		
	/ 1.150-802.0				
4	Putting nut	63100530	2		
5	SCREW	63040990	2		
6	Support	50570680	1		
7	HOUSING	50606820	1		
8	Proportioning valve chemistry	45803370	1		
9	GASJKET	63624110	1		
10	HANDLE	53214730	1		
11	O RING	63623860	1		
12	CAP OF A TANK	50638220	1		
13	O RING	63620940	1		
14	Hose DN 5	63882160	1		
	TO ORDER AS CUT GOODS				
15	Filter with weight	57316090	1		
16	MOULDED PART	50314750	1		
18	PIPE	50294270	2		
19	CHEESE HEAD SCREW	73060240	2		
20	Hexagon nut M6 -8-A2E ISO 4032	73110030	4		
21	CHEESE HEAD SCREW	73060410	4		
22	Hexagon nut M8 -04-A2E ISO 10511	73114270	2		
23	Washer 8-200HV-A2E ISO7093-1	73122770	2		
24	PIPE	50283360	1		
25	SLEEVE	51107150	1		
26	WHEEL	64351960	2		
27	CHASSIS CLIP	63431680	2		
28	WHEEL CAP	64351970	2		
28	WHEEL CAB	64353010	2		
	/ 1.150-802.0				

1.0 PIECE PARTS

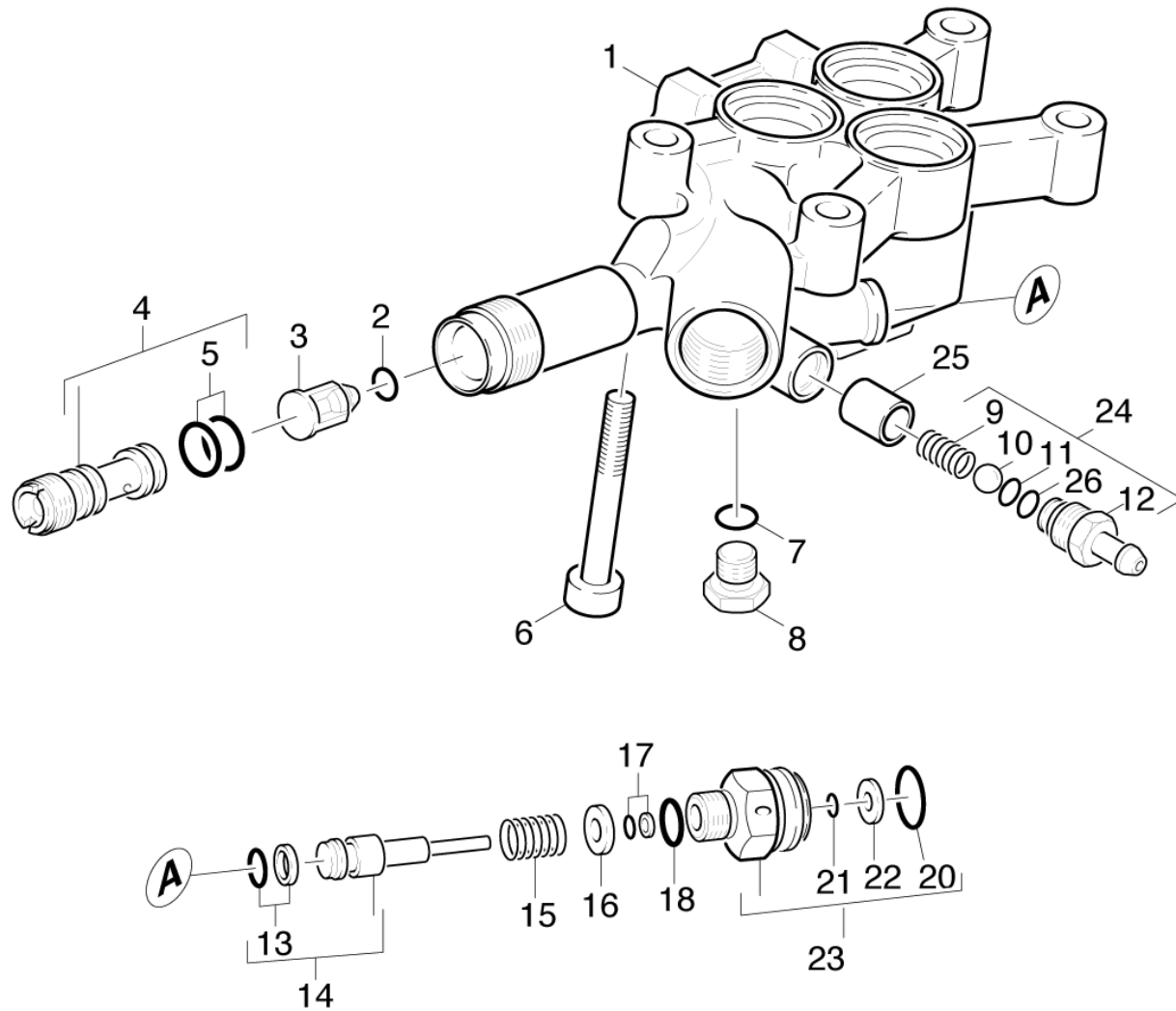
POS	DESCRIPTION ADDITIONAL INFORMATIONS	PART NO	QTY.	FROM SER.NR.	UP TO SER. NR.
29	CHEESE HEAD SCREW	63040390	2		
30	HOSE BAND CLIP	63895670	1		

2.0 PUMP SET

2.1 CYLINDER HEAD
2.2 SUCTION SIDE
2.3 PHYSICAL PAGE
2.4 PISTON



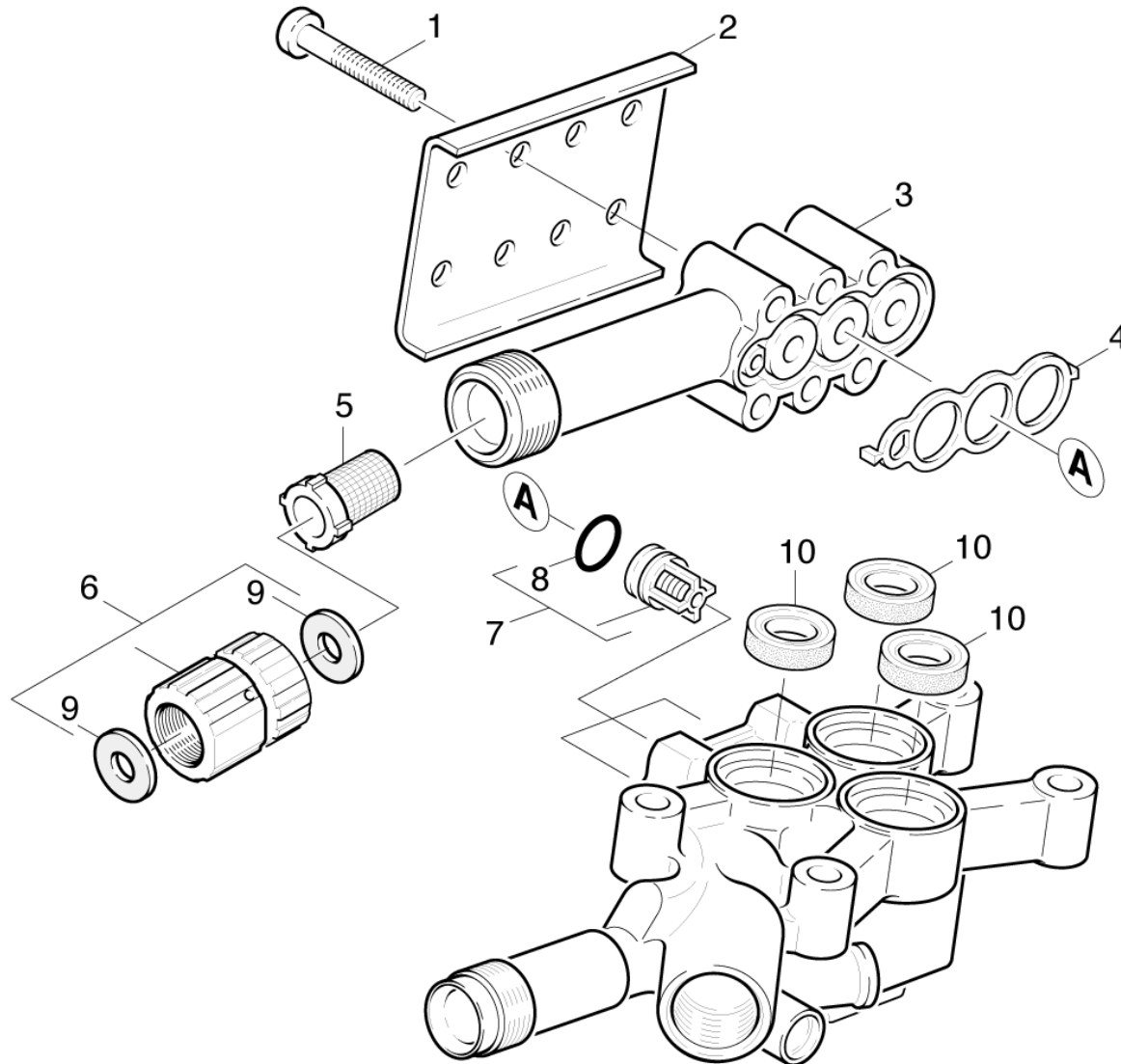
2.1 CYLINDER HEAD



2.1 CYLINDER HEAD

POS	DESCRIPTION ADDITIONAL INFORMATIONS	PART NO	QTY.	FROM SER.NR.	UP TO SER. NR.
1	Cylinder head	55502660	1		
2	GASKET	63628510	1		
3	VALVE PIN	55840910	1		
4	Nozzle insert	47690320	1		
5	O-RING 9,0 X 1,5	63623840	2		
6	M8-1.25 X 60MM CLS 8.8 SHCS DIN 912 THRU	73060470	4		
7	ROUND CORD RING	63621010	1		
8	SCREW PLUG	54110700	1		
9	COIL SPRING	53322580	1		
10	Sphere 7 G40 -1.4401 DIN 5401	74019090	1		
11	O RING 5.28X 1.78	63621750	1		
12	Nipple chemistry	54434480	1		
13	O RING	63624670	1		
14	PISTON	45531830	1		
15	COIL SPRING	53321570	1		
16	WASHER	51156160	1		
17	O RING	63625870	1		
18	O RING 9.5 X 2.0	63625280	1		
20	GASKET	63626340	1		
21	O RING	63625860	1		
22	WASHER	51155970	1		
23	CLOSING SCREW	44110080	1		
24	Spare part set chemistry	28838620	1		
25	SLEEVE	51107140	1		
26	O RING 8.0 X 1.0	63624510	1		
100	PUMP SET	28838690	1		

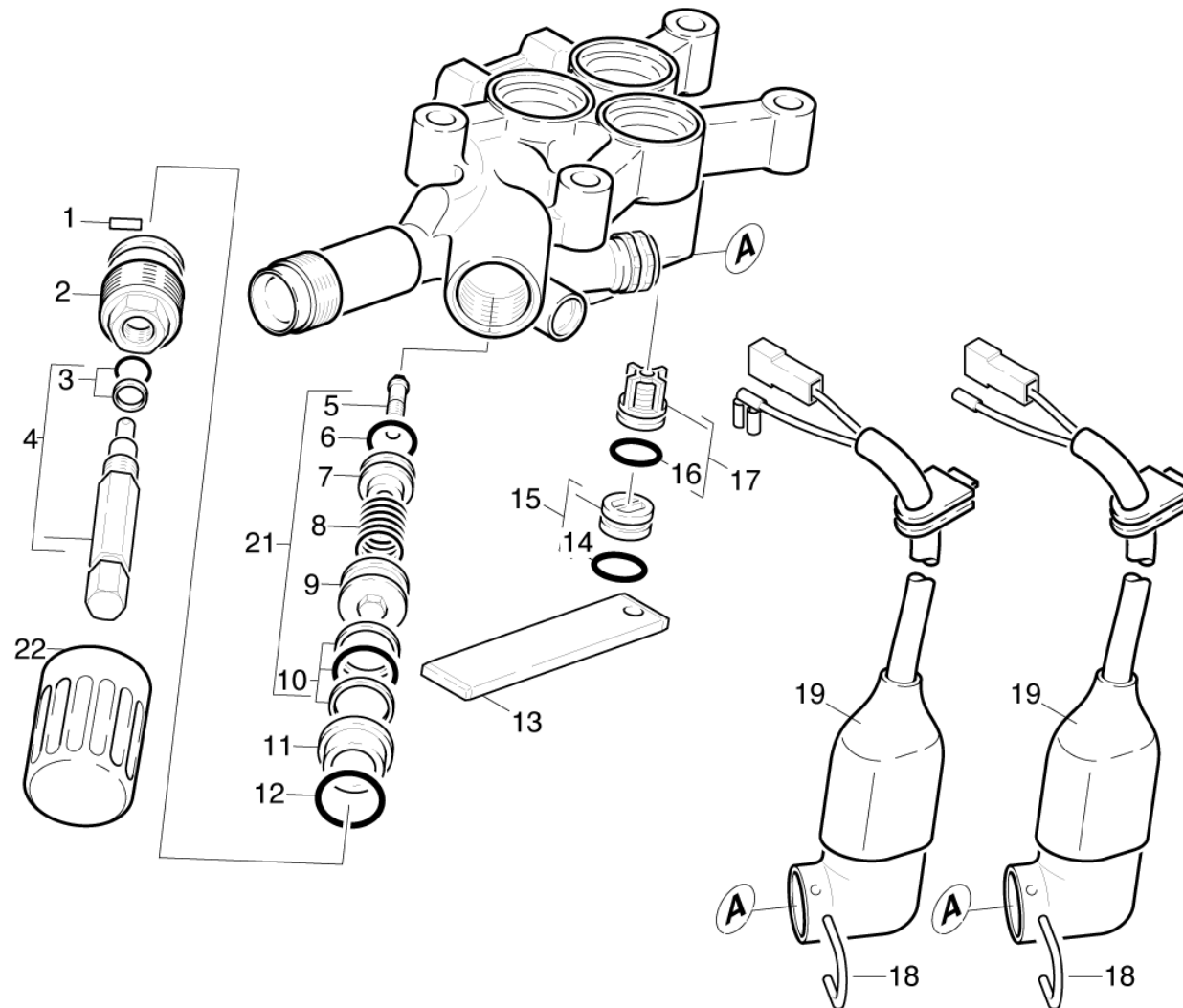
2.2 SUCTION SIDE



2.2 SUCTION SIDE

POS	DESCRIPTION ADDITIONAL INFORMATIONS	PART NO	QTY.	FROM SER.NR.	UP TO SER. NR.
1	Screw M6x40 -8.8-R3R (In6Rd)	73061290	4		
2	PLATE	50030680	1		
3	COVER	50636160	1		
4	SEAL	53651820	1		
5	FILTER	64142520	1		
6	SCREW UNION PART	44010590	1		
7	VALVE	45803110	3		
8	CORD RING	63620770	3		
9	SEAL	53641290	2		
10	GROOVED RING	63654320	3		
100	PUMP SET	28838690	1		

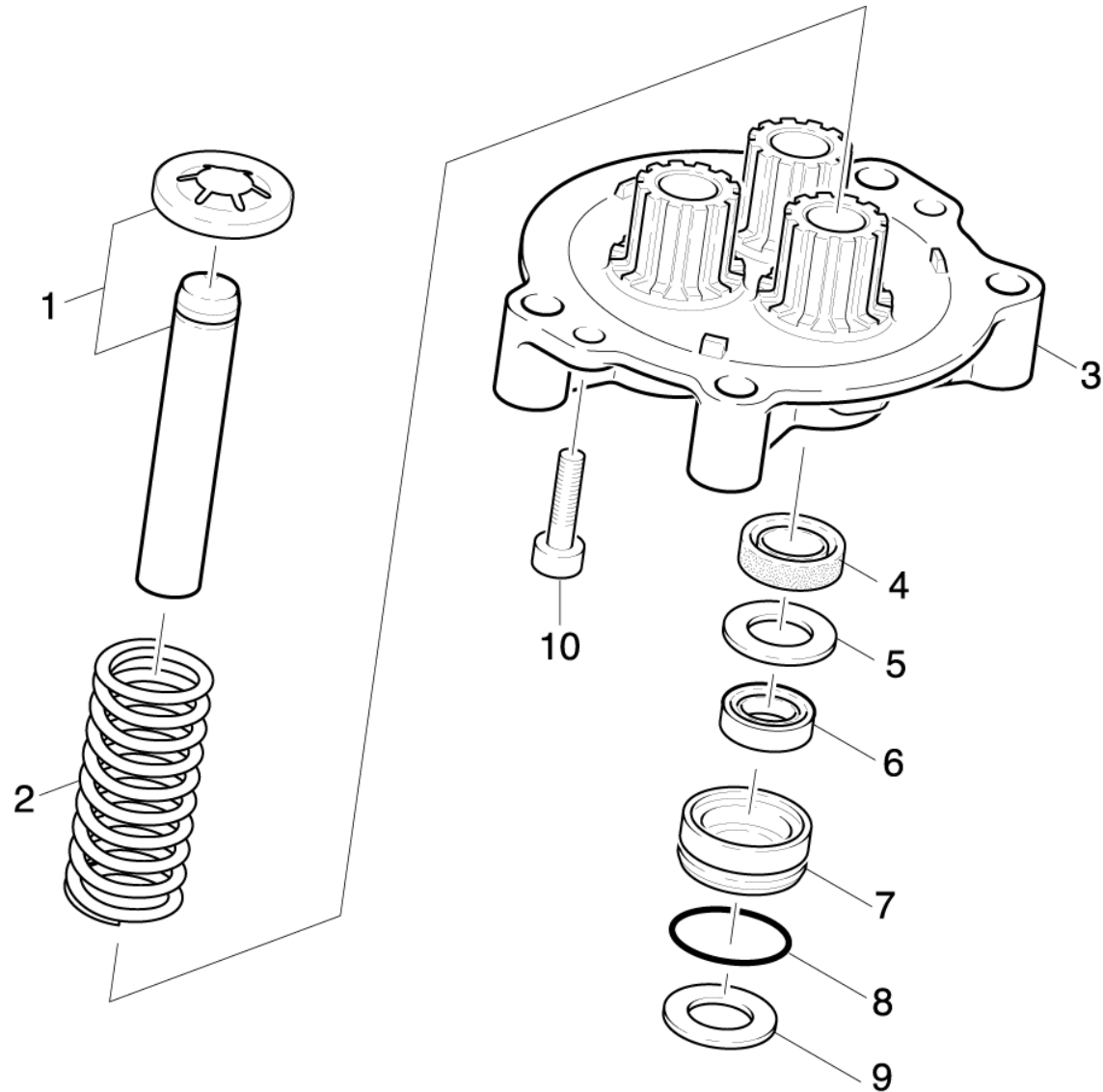
2.3 PHYSICAL PAGE



2.3 PHYSICAL PAGE

POS	DESCRIPTION ADDITIONAL INFORMATIONS	PART NO	QTY.	FROM SER.NR.	UP TO SER. NR.
1	Grooved pin 2x10 -A1 ISO 8742	73146290	1		
2	VALVE SCREW	55831470	1		
3	O-RING COMPL	63624680	1		
4	SPINDLE	42910140	1		
5	SCREW	53052640	1		
6	O RING 12.0 X 2.0	63621690	1		
7	VALVE SEAT	55812300	1		
8	SPRING	53324250	1		
9	PISTON	55533900	1		
10	O RING COMPLETE	63624540	1		
11	SLEEVE	51106300	1		
12	O RING	63629890	1		
13	PLATE	50039830	1		
14	GASKET 11 X 2	63632730	3		
15	DRAIN PLUG	41320070	4		
16	CORD RING	63620770	3		
17	VALVE	45803110	3		
18	Strap	50344940	1		
19	SWITCH / 1.150-105.0 / -106.0	47440960	1		
19	SWITCH KPL. / 1.150-110.0 / -115.0 / -802.0	47441300	1		
19	SWITCH KPL. / 1.150-111.0	47441330	1		
21	BYPASS VALVE	45910380	1		
22	HANDLE	53213070	1		
100	PUMP SET	28838690	1		

2.4 PISTON



2.4 PISTON

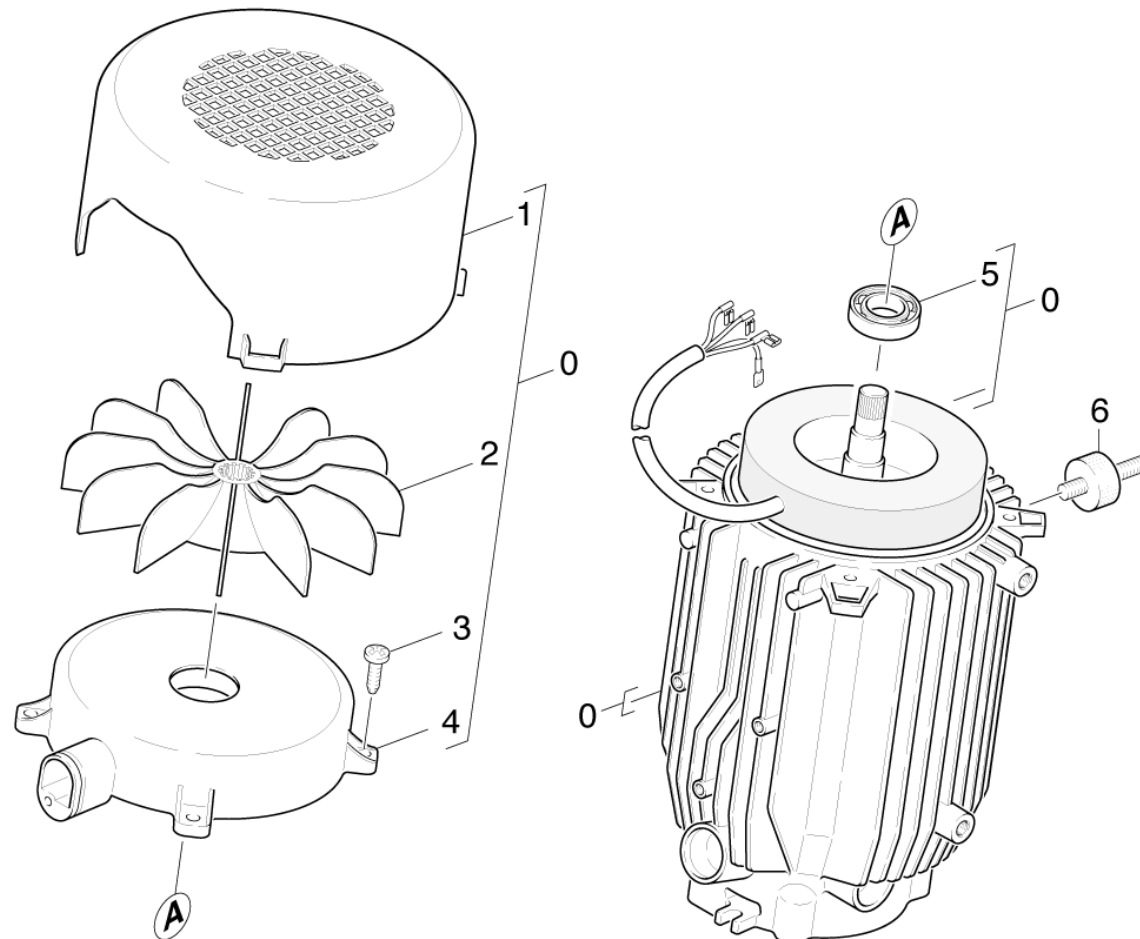
POS	DESCRIPTION ADDITIONAL INFORMATIONS	PART NO	QTY.	FROM SER.NR.	UP TO SER. NR.
1	HD650 PISTON / 1.150-105.0 / -106.0	45531810	3		
1	PISTON / 1.150-115.0	45531920	3		
1	PISTON	45531930	3		
2	Spring	53324270	3		
3	PISTON GUIDE	50606770	1		
4	Grooved ring 14X22X5/7	63653400	3		
5	Washer	51157440	3		
6	SEAL	63654380	3		
7	Bush	51125760	3		
8	O RING 24.0 X 1.5	63623760	3		
9	WASHER	51154650	3		
10	Screw M6x16 -St-R3R (In6Rd)	73030470	2		
100	PUMP SET	28838690	1		

3.0 MOTOR

3.1 VENTILATION
3.2 ACTUATION



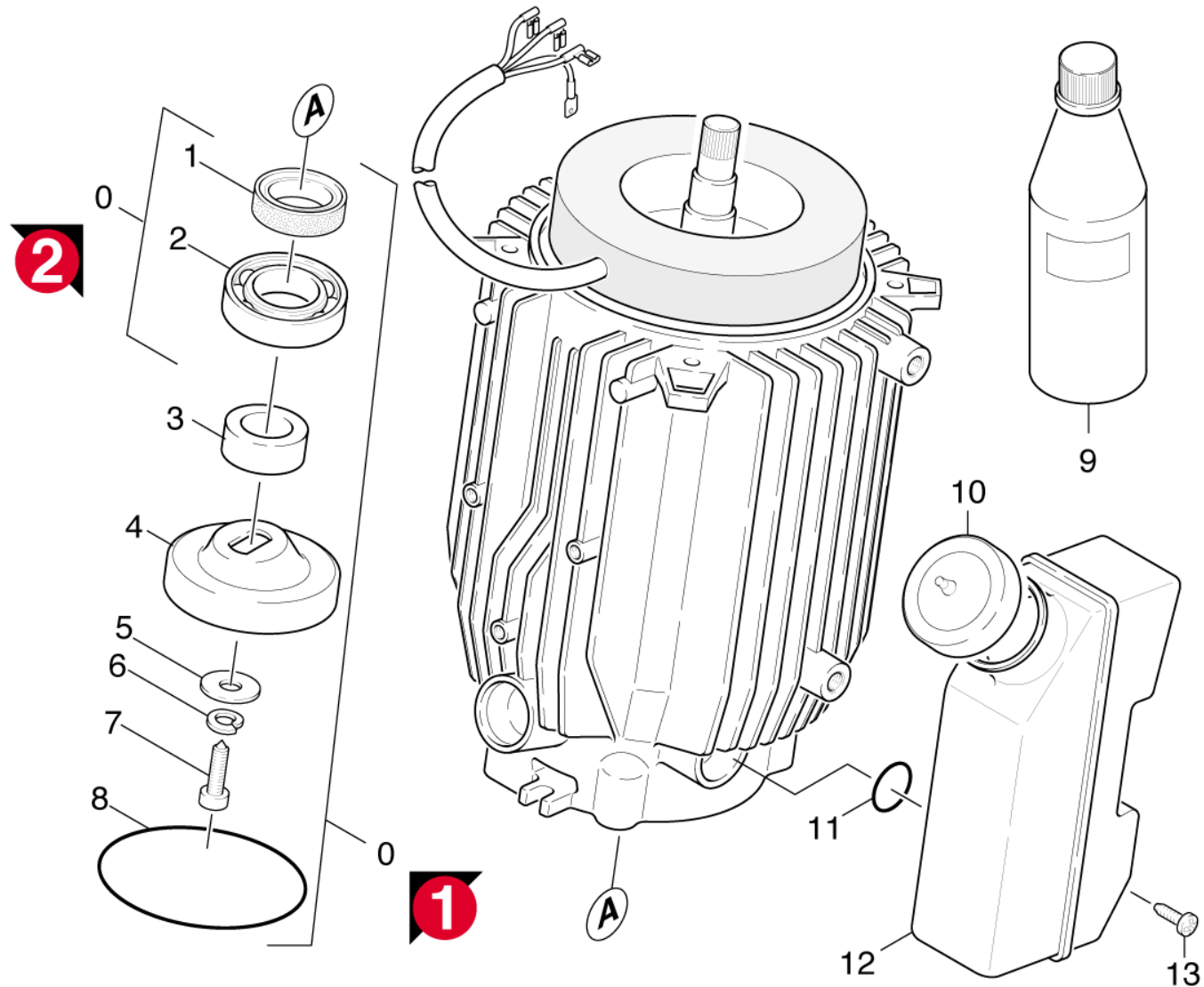
3.1 VENTILATION



3.1 VENTILATION

POS	DESCRIPTION ADDITIONAL INFORMATIONS	PART NO	QTY.	FROM SER.NR.	UP TO SER. NR.
0	MOTOR KPL.	46234080	1		
0	Motor complete / 1.150-110.0 / -111.0 / -802.0	46234090	1		
0	Motor complete / 1.150-115.0	46236160	1		
1	Air circulation	56920330	1		
2	BLOWER WHEEL	56000600	1		
3	Screw M5x20 -St-R2R (In6Rd)	73030410	1		
4	Bearing cover B	50638020	1		
5	BALL BEARING	64013310	1		
6	Rubber buffer	63391820	2		

3.2 ACTUATION



3.2 ACTUATION

POS	DESCRIPTION ADDITIONAL INFORMATIONS	PART NO	QTY.	FROM SER.NR.	UP TO SER. NR.
0	MOTOR KPL. / 1.150-105.0 / -106.0 VERSION 2	46234080	1		
0	Motor complete / 1.150-110.0 / -111.0 / -802.0 VERSION 1	46234090	1		
0	Motor complete / 1.150-115.0	46236160	1		
1	RADIAL GASKET	73670080	1		
2	BALL BEARING	64013320	1		
3	Bush / 1.150-105.0 / -106.0	51125860	1		
4	Swash plate complete only for replacemen / 1.150-115.0	41201810	1		
4	Swash plate complete only for replacemen / 1.150-110.0 / -111.0 / -115.0 / -802.0	41201870	1		
4	SWASH PLATE / 1.150-105.0 / -106.0	64012940	1		
5	Washer 8-200HV-A2E ISO7093-1	73122770	1		
6	Spring washer B 8-FSt-A3E DIN 127	73130040	1		
7	Cylinder head screw M8x25 -8.8-A2E ISO4	73060420	1		
8	O-Ring seal 88.0X 2.2	63627680	1		
9	OIL 1 LITRE	62880500	1		
10	Cover	50633890	1		
11	O RING	63621610	1		
12	Tank oil	50704890	1		
13	Screw M5x12 -St-P2R (In6Rd)	73030380	1		

4.0 ACCESSORIES

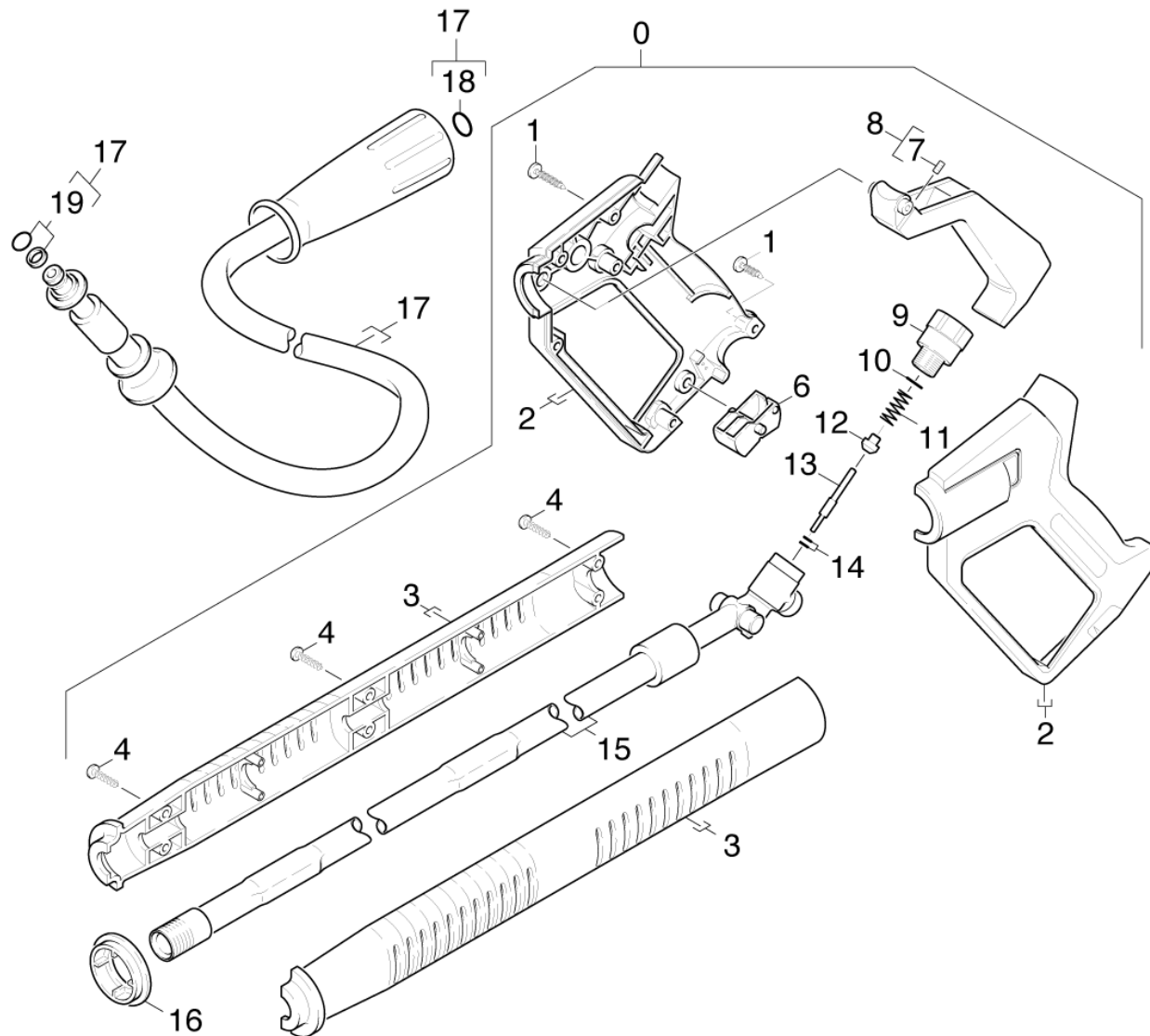
4.1 TRIGGER GUN

4.2 JET PIPE

4.3 NOZZLE



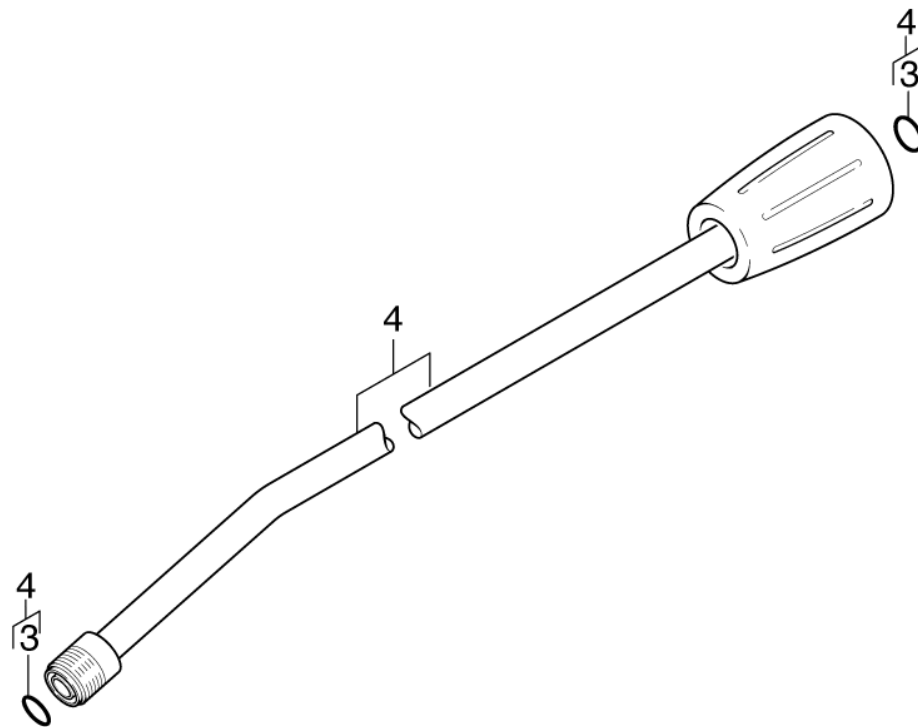
4.1 TRIGGER GUN



4.1 TRIGGER GUN

POS	DESCRIPTION ADDITIONAL INFORMATIONS	PART NO	QTY.	FROM SER.NR.	UP TO SER. NR.
0	TRIGGER GUN	47752960	1		
1	Oval head screw 4,2X22-ST-VERZ	63030240	6		
2	HANDLES	53215900	1		
3	Handhold few	53216910	1		
4	SELF TAPPING SCREW	63030250	7		
6	LEVER	54810520	1		
7	Threaded pin M8x16 -45H-A2E ISO 4026	73074170	1		
8	LEVER	44810500	1		
9	PRESSURE GAUGE	64212160	1		
10	O RING	63625840	1		
11	COIL SPRING	53321570	1		
12	VALVE PLATE	55820580	1		
13	BAR	51072590	1		
14	ORING COMPLETE	63625710	1		
15	MANIFOLD	44271830	1		
16	MOULDED PART	50312590	1		
17	High pressure hose DN6	63901740	1		
18	Spare part set O-Ring seal 5x-Kaercher	28802960	1		
19	GASKET	63631150	1		

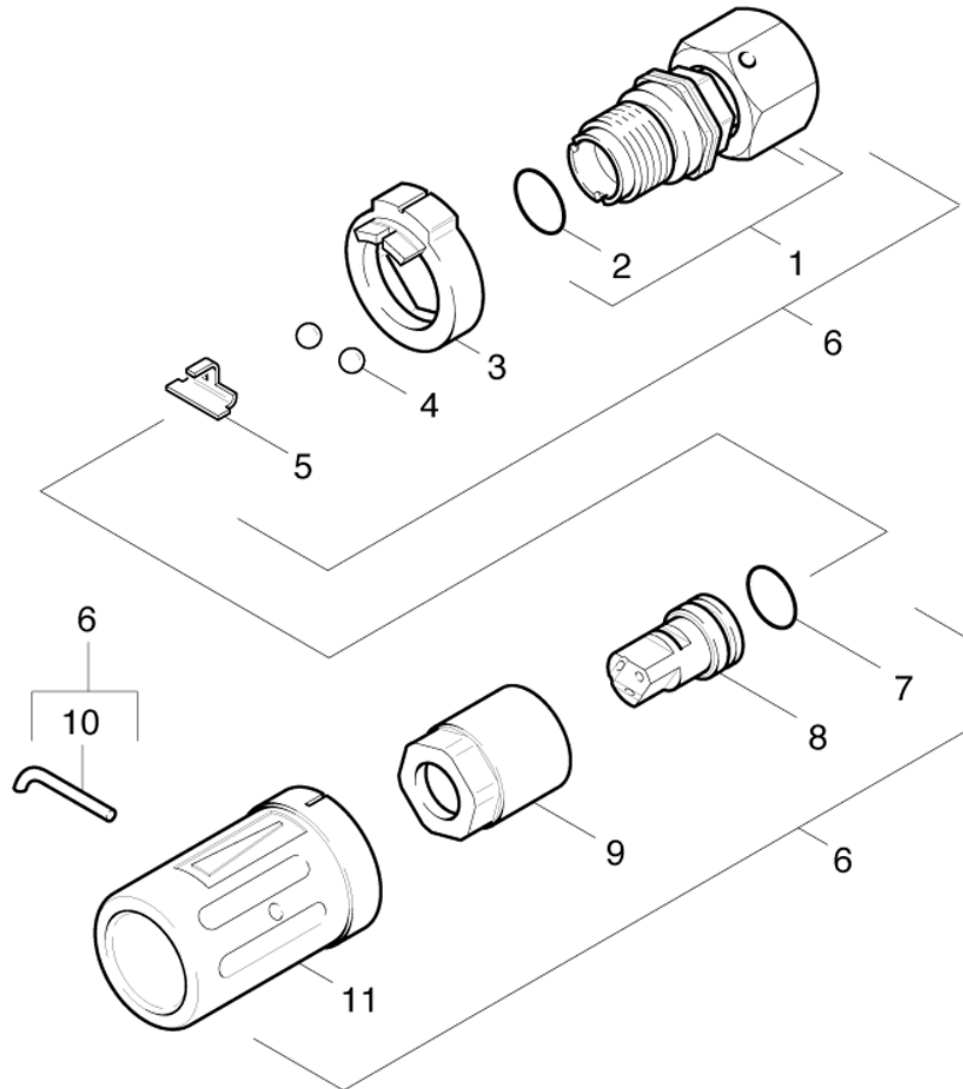
4.2 JET PIPE



4.2 JET PIPE

POS	DESCRIPTION ADDITIONAL INFORMATIONS	PART NO	QTY.	FROM SER.NR.	UP TO SER. NR.
3	Spare part set O-Ring seal 5x-Kaercher	28802960	1		
4	LANCE	47603560	1		

4.3 NOZZLE



4.3 NOZZLE

POS	DESCRIPTION ADDITIONAL INFORMATIONS	PART NO	QTY.	FROM SER.NR.	UP TO SER. NR.
1	SCREW UNION	44020420	1		
2	O-RING	63624600	1		
3	PREFORM	50305280	1		
4	Sphere 5 G20 -1.4034 DIN 5401	74019020	2		
5	HALTER	50424050	1		
6	Triple jet nozzle 042 / 1.150-110.0 / -111.0 / -802.0	47631640	1		
6	Triple jet nozzle 034 / 1.150-115.0	47632690	1		
6	Triple jet nozzle 043 / 1.150-105.0 / -106.0	47639850	1		
7	O-RING	63624800	1		
8	Triple jet nozzle 042 / 1.150-110.0 / -111.0 / -802.0	64155930	1		
8	Triple jet nozzle / 1.150-115.0	64157180	1		
8	Triple jet nozzle 043 / 1.150-105.0 / -106.0	64157730	1		
9	Hexagon nut	53111170	1		
10	HOOK	50370590	1		
11	PROTECTION PART	53942690	1		

5.0 ELECTRIC CONTROL BOX

5.1 ELECTRIC CONTROL BOX

HD 651

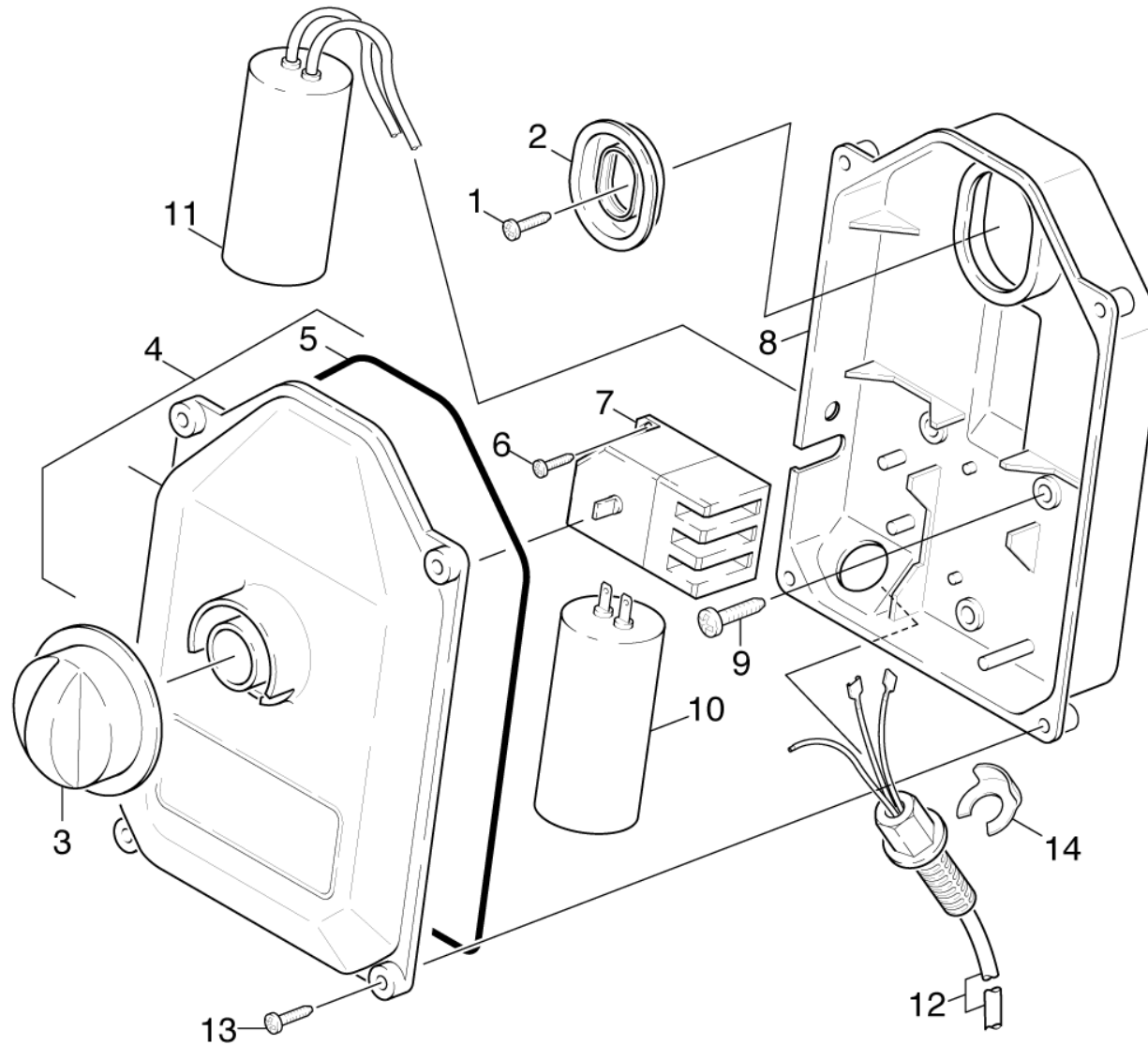
5.2 ELECTRIC CONTROL BOX

HD 650



5.1 ELECTRIC CONTROL BOX

HD 651



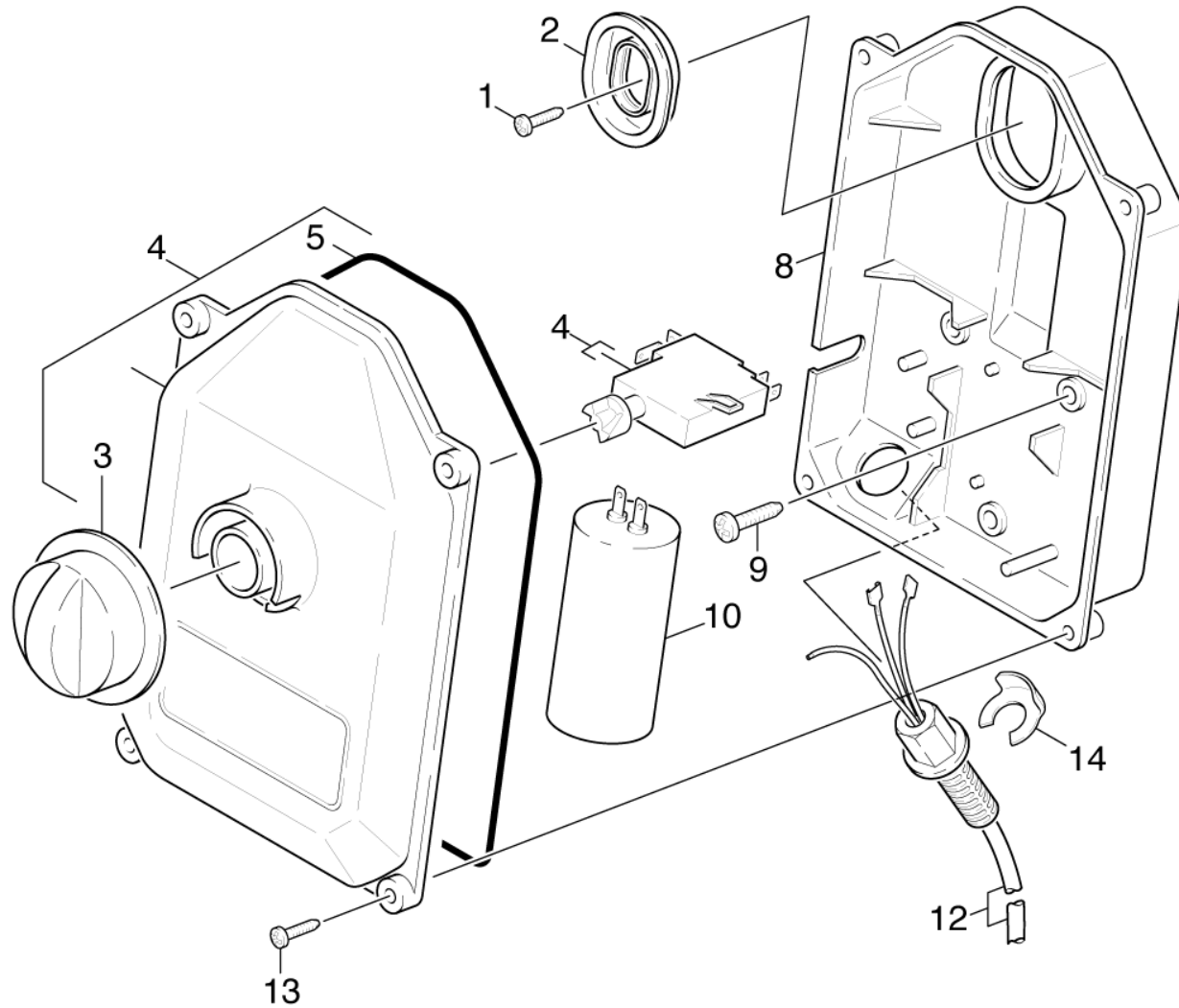
5.1 ELECTRIC CONTROL BOX

HD 651

POS	DESCRIPTION ADDITIONAL INFORMATIONS	PART NO	QTY.	FROM SER.NR.	UP TO SER. NR.
1	Screw M4x10 -St-P2R (In6Rd)	73030310	1		
2	SEAL	53651810	1		
3	Handle / 1.150-110.0 / -111.0 / -115.0/ -802.0	53215940	1		
4	COVER / 1.150-110.0 / -802.0	40636320	1		
4	COVER KPL. / 1.150-111.0	40636410	1		
4	Cover complete electric control box / 1.150-115.0	40637090	1		
5	FOAM RUBBER RING TO ORDER AS CUT GOODS	62730700	1		
6	Screw 3,5x12 -10.9-R2R (K-In6Rd)	73030930	1		
7	MACHINE SWITCH / 1.150-110.0 / -111.0 / -115.0/ -802.0	66311960	1		
8	HOUSING / 1.150-111.0	50607830	1		
8	HOUSING	50609420	1		
9	SCREW M 5X 15	63031530	3		
10	Capacitor 40µF	66611580	1		
11	Capacitor 60 MUF / 1.150-110.0 / -111.0 / -115.0/ -802.0	66612010	1		
12	CABLE MIT STECKER / 1.150-110.0 / -111.0 / -802.0	66480910	1		
12	CABLE m. Stecker / 1.150-115.0	66489320	1		
13	Screw 5x20 -10.9-R2R (In6Rd)	73031080	4		
14	Retaining clip	63431700	1		

5.2 ELECTRIC CONTROL BOX

HD 650



5.2 ELECTRIC CONTROL BOX

HD 650

POS	DESCRIPTION ADDITIONAL INFORMATIONS	PART NO	QTY.	FROM SER.NR.	UP TO SER. NR.
1	Screw M4x10 -St-P2R (In6Rd)	73030310	1		
2	SEAL	53651810	1		
4	SWITCH KPL. / 1.150-105.0	47441320	1		
4	SWITCH KPL.	47441590	1		
5	FOAM RUBBER RING TO ORDER AS CUT GOODS	62730700	1		
8	HOUSING / 1.150-105.0	50607830	1		
8	HOUSING	50609420	1		
9	SCREW M 5X 15	63031530	3		
10	Capacitor 40µF	66611580	1		
12	CABLE MIT STECKER / 1.150-105.0 / -106.0	66480960	1		
13	Screw 5x20 -10.9-R2R (In6Rd)	73031080	4		
14	Retaining clip	63431700	1		