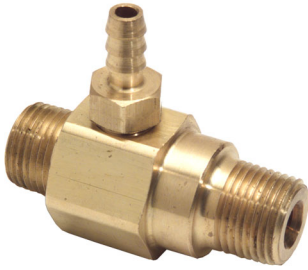


Hi-Draw Injector

Hi-Draw Downstream Chemical Injector



FEATURES

- Up to a 20% injection draw rate*
- Available with both fixed and adjustable barbs
- Made in the USA
- A cost effective solution to your chemical application needs

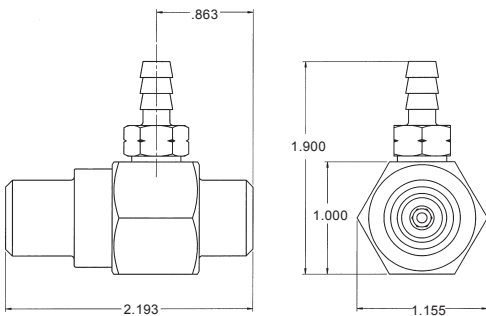
* Draw rates can be affected by factors such as pressure, flow rate, length of discharge hose, and chemical viscosity.

SPECIFICATIONS

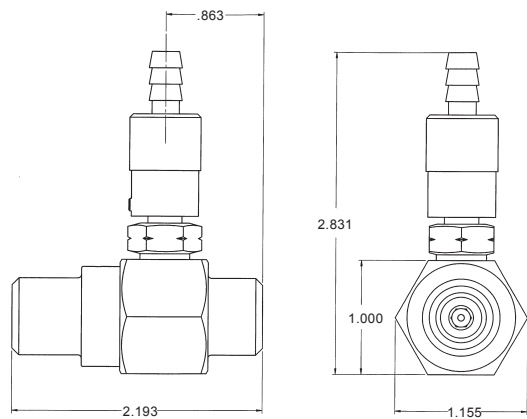
Model	100773	100774	100775	100776	100810	100811	100812	100813
Style	Fixed				Adjustable			
Operating Pressure	4500 PSI				4500 PSI			
Flow Range	1 - 2 GPM	2 - 3 GPM	3 - 5 GPM		1 - 2 GPM	2 - 3 GPM	3 - 5 GPM	5 - 8 GPM
Maximum Temperature	190° F							
Port Sizes	Inlet Discharge Chemical Port		3/8" NPT-M 3/8" NPT-M 1/4" Hose Barb		Inlet Discharge Chemical Port		3/8" NPT-M 3/8" NPT-M 1/4" Hose Barb	
Dimensions	2.2 x 1.15 x 1.9				2.2 x 1.15 x 1.9			
Weight	.2 lb				.2 lb			
Materials	Brass, Stainless Steel, Viton				Brass, Stainless Steel, Viton			

DIMENSIONAL DRAWING

Fixed Injector



Adjustable Injector



Hi-Draw Injector

INSTALLATION

This product is to be used with clean, fresh water. For different or corrosive liquids, contact GP Technical Service Department. With not clean liquids, appropriate filtration should be installed. Select the injector based on the nominal operating rating: system rated pressure, max flow and max temperature. Install valve with direction arrow pointing downstream. For proper operation a control device such as a dual lance wand, quick couple nozzles, or an adjustable nozzle holder must be used to lower the system pressure at the nozzle.

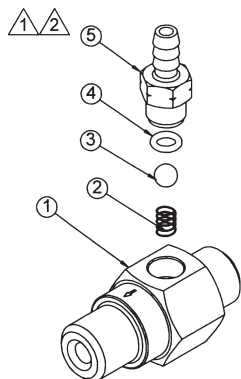
Under no circumstances should the pressure of the system exceed the maximum rated pressure of any component.

TROUBLESHOOTING

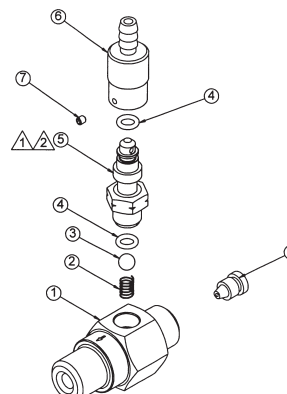
Problem	Cause	Solution
Chemical Injector will not draw Chemical	Incorrect nozzle System is not in low pressure mode Discharge hose is too long Chemical line is clogged	Check and change nozzle Change or adjust nozzle to put system in low pressure mode Reduce length of discharge hose or change injector* Clear chemical line of obstruction
Rate of draw seems too slow	Discharge hose is too long Air leak in chemical line Chemical is too viscous	Reduce length of discharge hose or change injector* Locate and repair leak Reduce chemical with water to decrease its viscosity
Chemical injector is leaking from hose barb	Obstruction in hosebarb checkvalve Damaged o-ring in checkvalve	Disassemble and remove obstruction Remove and replace o-ring
Excessive pressure load on pump, motor or engine	Clogged injector Improperly sized injector orifice	Clear injector orifice of obstruction Change orifice*

*Contact GP Technical Service for assistance

PARTS LIST



▲ Apply Loc-tite® 242 to threads for re-assembly
▲ Torque to 40 in/lbs for re-assembly



Item	Part Number	Description	Qty
Kit *	100803	Repair kit	1
Kit †	100804	Acid Kit (Optional)	1
1	510340	Housing, Injector	1
2 * †	720049	Spring	1
3 *	520167	Ball, Injector, 316 Ss	1
†	640065	Ball, Injector, Ceramic, (Optional)	1
4 * †	701006	O-ring, 70 duro, Viton, .208 x .070	1
5	510341	Hose barb, brass	1
	520147	Nozzle, .057 in, 303 Ss (100773)	1
6	520116	Nozzle, .070 in, 303 Ss (100774)	1
	520115	Nozzle, .083 in, 303 Ss (100775)	1
	520127	Nozzle, .091 in, 303 Ss (100776)	1

Item	Part Number	Description	Qty
Kit *	100816	Repair kit	1
Kit †	100817	Acid Kit (Optional)	1
1	510340	Housing, Injector	1
2 * †	720049	Spring	1
3 *	520167	Ball, Injector, 316 Ss	1
†	640065	Ball, Injector, Ceramic, (Optional)	1
4 * †	701501	O-ring, 70 duro, Viton, .208 x .070	2
5	510351	Post, Adj Hi-Draw, brass	1
6	510263	Knob, Adj Hose barb	1
7	201022	Set screw, Ss	1
	520147	Nozzle, .057 in, 303 Ss (100810)	1
8	520116	Nozzle, .070 in, 303 Ss (100811)	1
	520115	Nozzle, .083 in, 303 Ss (100812)	1
	520127	Nozzle, .091 in, 303 Ss (100813)	1