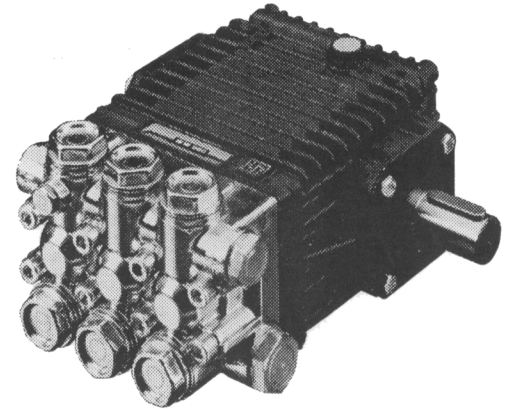


EZ Series 44 S

2500 / 3000 PSI, Triplex Plunger Pump

FEATURES

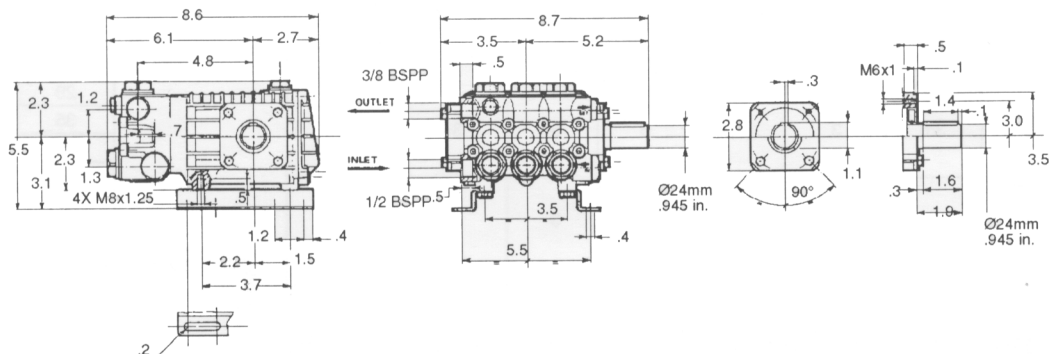
- Solid ceramic plunger design
- Flex coupling and bell housing available for direct drive
- Forged brass manifold with an exclusive lifetime warranty and 4:1 hydrostatic rating
- Die-cast, anodized aluminum, oil-bath crankcase
- Premium roller bearing
- Unitized stainless steel inlet and discharge valves
- Available in "L" left-handed versions



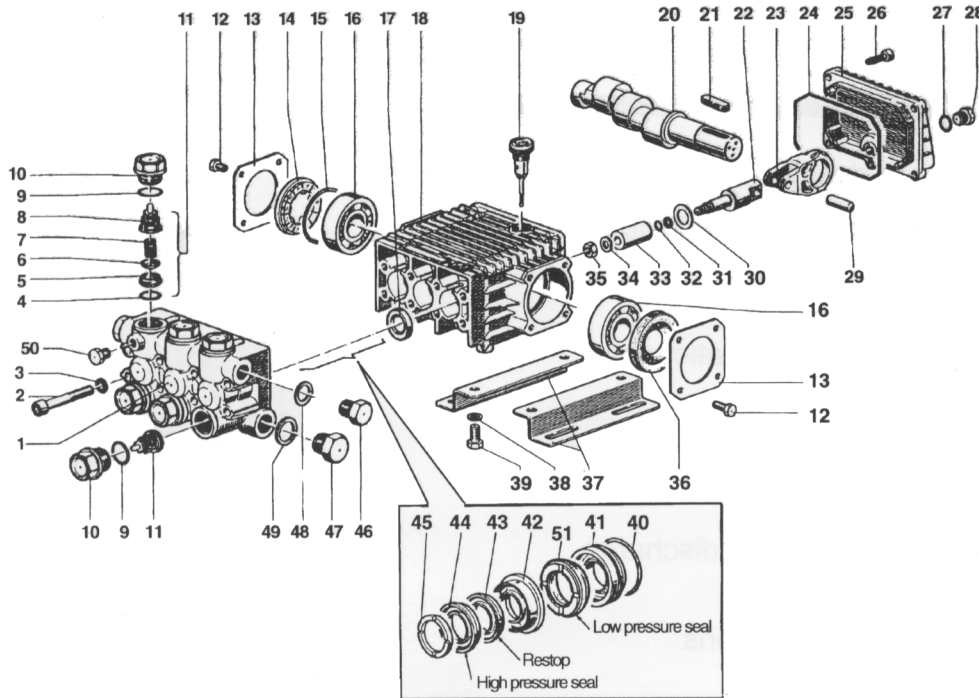
SPECIFICATIONS

| Pump Model | EZ2536S | EZ2542S | EZ2545S | EZ2555S | EZ3040S | EZ3042S |
|----------------------------|--------------------------|-----------|------------------|-----------|--------------------------|----------------|
| Maximum Volume | 3.6 GPM | 4.2 GPM | 4.6 GPM | 5.5 GPM | 4.0 GPM | 4.2 GPM |
| Maximum Discharge Pressure | 2500 PSI | | | | 3000 PSI | |
| Maximum Pump Speed | 1750 RPM | | | 3400 RPM | | 1750 RPM |
| Maximum Inlet Pressure | 125 PSI | | | | | |
| Maximum Inlet Vacuum | 3 ft. water (2.6 in. Hg) | | | | 9 ft. water (7.9 in. Hg) | |
| Bore | .708 in. / 18 mm | | .591 in. / 15 mm | | | .708 in./18 mm |
| Stroke (in./mm) | .433 / 11 | .512 / 13 | .433 / 11 | .512 / 13 | .374 / 9.5 | .512 / 13 |
| Crankcase Oil Capacity | 14.0 oz. | | | | | |
| Maximum Fluid Temperature | 165°F | | | | | |
| Inlet Port Thread | 1/2-14 BSPP-F | | | | | |
| Discharge Port Thread | 3/8-19 BSPP-F | | | | | |
| Shaft Diameter. | .945 in. / 24 mm | | | | | |
| Weight | 18 lbs. | | | | | |
| Dimensions | 8.6 x 8.7 x 5.5 in. | | | | | |

DIMENSIONAL DRAWING



EZ Series 44 S – 2500/3000 PSI **GENERAL PUMP** A member of the Interpump Group



PARTS LIST

| Item | Part No. | Description | Kit No. | Qty. | Item | Part No. | Description | Kit No. | Qty. | Item | Part No. | Description | Kit No. | Qty. |
|------|----------|-----------------------------------------------|---------|------|------|----------|-------------------------------------------------------|----------|------|------|----------|--------------------------------------------------------|----------|------|
| 1. | 44120441 | Manifold (18mm: EZ2536S, EZ2542S, EZ3042S) | | 1 | 21. | 90489200 | Key | | 1 | 42. | 44216170 | Intermediate Ring (18mm: EZ2536S, EZ2542S, EZ3042S) | 128, 131 | 3 |
| | 44120041 | Manifold (15mm: EZ2545S, EZ2555S, EZ3040S) | | 1 | 22. | 44050066 | Plunger Guide | | 3 | | 52216670 | Intermediate Ring (15mm: EZ2545S, EZ2555S, EZ3040S) | 89, 130 | |
| 2. | 99317500 | Screw | | 8 | 23. | 44030022 | Connecting Rod | | 3 | 43. | 90268300 | Packing (18mm: EZ2536S, EZ2542S, EZ3042S) | 127, 131 | 3 |
| 3. | 96701400 | Washer | | 8 | 24. | 90392000 | O-Ring | | 1 | | 90262200 | Packing (15mm: EZ2545S, EZ2555S, EZ3040S) | 88, 130 | |
| 4. | 90384100 | O-Ring | 123 | 6 | 25. | 44160022 | Rear Cover | | 1 | 44. | 90268200 | Packing (18mm: EZ2536S, EZ2542S, EZ3042S) | 127, 131 | 3 |
| 5. | 36200366 | Valve Seat | 123 | 6 | 26. | 99183700 | Screw | | 5 | | 90262000 | Packing (15mm: EZ2545S, EZ2555S, EZ3040S) | 88, 130 | |
| 6. | 36200176 | Valve | 123 | 6 | 27. | 90358500 | O-Ring | | 1 | 45. | 44100151 | Head Ring (18mm: EZ2536S, EZ2542S, EZ3042S) | 129, 131 | 3 |
| 7. | 94737600 | Spring | 123 | 6 | 28. | 98204100 | Cap Screw | | 1 | | 51100051 | Head Ring (15mm: EZ2545S, EZ2555S, EZ3040S) | 90, 130 | |
| 8. | 36202551 | Valve Cage | 123 | 6 | 29. | 97734000 | Pin | | 3 | | 98210000 | Cap Screw | | 1 |
| 9. | 90384700 | O-Ring | 124 | 6 | 30. | 96735000 | Washer | | 3 | 47. | 98217600 | Cap Screw | | 1 |
| 10. | 98222600 | Cap Screw | 124 | 6 | 31. | 90502200 | Anti-Extrusion Ring | | 3 | 48. | 96738000 | Washer | | 1 |
| 11. | 36711501 | Valve Assembly | 123 | 6 | 32. | 90357200 | O-Ring | | 3 | 49. | 96751400 | Washer | | 1 |
| 12. | 99180700 | Screw | | 4 | 33. | 44040109 | Plunger, 18mm (EZ2536S, EZ2542S, EZ3042S) | | 3 | 50. | 98196600 | Cap Screw | | 1 |
| 13. | 50150074 | Bearing Cover | | 1 | | 52040009 | Plunger, 15mm (EZ2545S, EZ2555S, EZ3040S) | | 3 | 51. | 90268400 | Seal, Low Press. (18mm: EZ2536E, EZ2542E) | 127, 131 | 3 |
| 14. | 44211801 | Spacer | | 1 | 34. | 96700800 | Washer | | 3 | | 90261700 | Seal, Low Press. (15mm: EZ2545E, EZ2555E) | 88, 130 | |
| 15. | 90409700 | O-Ring | | 1 | 35. | 92221600 | Nut | | 3 | | | | | |
| 16. | 91302800 | Ball Bearing | | 1 | 36. | 90164100 | Oil Seal | | 1 | | | | | |
| 17. | 90161400 | Oil Seal | 23 | 3 | 40. | 90361200 | O-Ring (18mm: EZ2536S, EZ2542S, EZ3042S) | 126, 131 | 3 | | | | | |
| 18. | 44010022 | Crankcase | | 1 | | 90361200 | O-Ring (15mm: EZ2545S, EZ2555S, EZ3040S) | 125, 130 | | | | | | |
| 19. | 98210300 | Oil Dip Stick | | 1 | 41. | 44080170 | Packing Retainer (18mm: EZ2536S, EZ2542S, EZ3042S) | 126, 131 | 3 | | | | | |
| 20. | 44020035 | Crankshaft (EZ3040S) | | 1 | | 44080070 | Packing Retainer (15mm: EZ2545S, EZ2555S, EZ3040S) | 125, 130 | | | | | | |
| | 44020335 | Crankshaft (EZ2535S, EZ2545S) | | 1 | | | | | | | | | | |
| | 44020635 | Crankshaft (EZ2542S, EZ2555S, EZ3042S) | | 1 | | | | | | | | | | |

REPAIR KITS

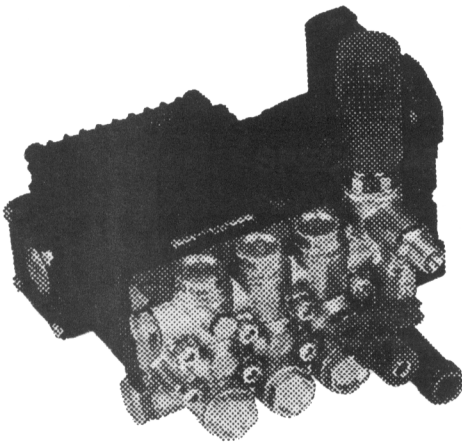
| KIT NO. | All | (15mm) (18mm) | (15mm) (18mm) | (15mm) (18mm) | All | All | (15mm) (18mm) | (15mm) (18mm) |
|--------------------------------------|-----|---------------|---------------|---------------|---------------------|-------|---------------|----------------------------|
| | 23 | 88 or 127 | 89 or 128 | 90 or 129 | 123 | 124 | 125 or 126 | 130 or 131 |
| ITEM NO.s INCLUDED IN KIT | 17 | 43, 44, 51 | 42 | 45 | 4, 5, 6, 7, 8, (11) | 9, 10 | 40, 41 | 40, 41, 42, 43, 44, 45, 51 |
| NUMBER OF ASSEMBLIES IN KIT | 3 | 3/6 | 3 | 6 | 6 | 6 | 3 | 1 |
| NUMBER OF CYLINDERS KIT WILL SERVICE | 3 | 3 | 3 | 3 | 3 | 3 | 3 | 1 |

TORQUE SPECS*

| Position | Ft.-lbs. | N-M |
|----------|----------|-----|
| 2 | 14.7 | 20 |
| 10 | 73.7 | 100 |
| 12 | 7.3 | 10 |
| 26 | 7.3 | 10 |
| 28 | 14.7 | 20 |
| 35 | 11.0 | 15 |
| 39 | 14.7 | 20 |
| 46 | 29.4 | 40 |
| 47 | 29.4 | 40 |
| 50 | 9.6 | 13 |

*Decrease torque by 20% if threads are lubricated.





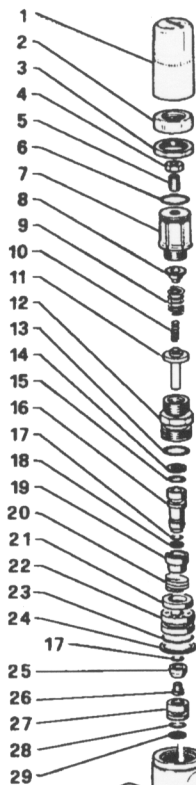
- Features a Built-In Unloader, with optional Chemical Injector and optional Inlet Fitting

- Brass construction (3000 PSI Maximum)

General Pump recommends using a GRV safety relief device in conjunction with this unloader valve when installed on a positive displacement pump. General Pump is not liable and assumes no responsibility for this valve when used in a customer's high pressure system.

PARTS LIST

Built-in Unloader Injector for EZ Series Pumps



| No. | Part Number | Description | Kit | Qty. |
|-----|-------------|----------------------|-----|------|
| 1. | 36.3187.51 | Knob | | 1 |
| 2. | 36.3186.70 | Nut, Ring | | 1 |
| 3. | 92.2935.00 | Nut, M28 x 1.5 | | 1 |
| 4. | 92.2218.00 | Nut, M8 | | 1 |
| 5. | 99.3054.00 | Screw, M8 x 20 | | 1 |
| 6. | 90.3598.00 | O-Ring, .801 x .070 | | 1 |
| 7. | 36.3185.70 | Register, Pressure | | 1 |
| 8. | 36.3169.70 | Cap | | 1 |
| 9. | 94.7436.00 | Spring, Ø15 x 35 mm | | 1 |
| 10. | 94.7345.00 | Spring, Ø7.6 x 29 mm | | 1 |
| 11. | 36.3233.70 | Cap, Lower | | 1 |
| 12. | 36.3228.70 | Bushing, Guide | | 1 |
| 13. | 90.3857.00 | O-Ring, .937 x .103 | | 1 |
| 14. | 90.5052.00 | Ring, Back-up | † | 1 |
| 15. | 90.3820.00 | O-Ring, .359 x .103 | † | 1 |
| 16. | 36.3234.70 | Piston, Valve | † | 1 |
| 17. | 90.3575.00 | O-Ring, .266 x .070 | † | 2 |
| 18. | 90.5025.00 | Ring, Back-up | † | 1 |
| 19. | 36.3230.70 | Spacer | † | 1 |
| 20. | 94.7485.00 | Spring | † | 1 |
| 21. | 36.3231.72 | Valve | † | 1 |
| 22. | 36.3229.70 | Guide, Valve | † | 1 |
| 23. | 90.3600.00 | O-Ring, .864 x .070 | † | 1 |
| 24. | 90.5144.00 | Ring, Back-up | † | 1 |
| 25. | 36.3190.66 | Valve, Ball | † | 1 |
| 26. | 99.1509.00 | Screw, M5 x 7.5 | † | 1 |
| 27. | 36.3164.66 | Seat, Valve | † | 1 |
| 28. | 90.3822.00 | O-Ring, .391 x .103 | † | 1 |

| No. | Part Number | Description | Kit | Qty. |
|-----|-------------|--------------------------------|-----|------|
| 29. | 90.5065.00 | Ring, Back-up | † | 1 |
| 30. | 90.3832.00 | O-Ring, .549 x .103 | * | 1 |
| 31. | 10.0078.70 | Nipple, 3/8" | | 1 |
| | 10.0147.70 | Nipple, M22 x 1.5 | | 1 |
| 32. | 98.2057.00 | Cap, M14 x 1.5 | | 1 |
| 33. | 98.1966.00 | Cap, 1/8 x 8 | | 1 |
| 34. | 44.1201.41 | Manifold, Pump (Ø15 mm) | | 1 |
| | 44.1205.41 | Manifold, Pump (Ø18 mm) | | 1 |
| 40. | 90.3822.00 | O-Ring, .391 x .103 | * | 1 |
| 41. | 10.0151.66 | Nozzle, Ø2 mm (Up to 3 GPM) | | 1 |
| | 10.0176.66 | Nozzle, Ø2.2 mm (3 to 4.5 GPM) | | 1 |
| 42. | 90.3582.00 | O-Ring, .364 x .070 | * | 1 |
| 43. | 94.8217.00 | Spring | * | 1 |
| 44. | 97.4782.00 | Ball, 7/32" | * | 1 |
| 45. | 90.3572.00 | O-Ring, .208 x .070 | * | 1 |
| 46. | 94.7383.00 | Spring | * | 1 |
| 47. | 90.3580.00 | O-Ring, .343 x .070 | * | 1 |
| 48. | 36.2564.70 | Shutter | | 1 |
| 49. | 36.2565.51 | Knob | | 1 |
| 50. | 90.3570.00 | O-Ring, .176 x .070 | * | 2 |
| 51. | 36.2566.70 | Coupling | | 1 |
| 52. | 36.3181.51 | Body | | 1 |
| 53. | 90.3585.00 | O-Ring, .426 x .103 | * | 1 |
| 54. | 36.2563.70 | Seat, Valve | | 1 |

OPTIONAL INLET FITTINGS

| | | | | |
|-----|------------|-------------------------------|--|---|
| 60. | 90.3841.00 | O-Ring | | 1 |
| 61. | 36.3182.51 | Nipple, 3/4 BSPP-M | | 1 |
| 62. | 92.8925.00 | Filter | | 1 |
| 66. | 701115 | O-Ring | | 1 |
| 67. | 680006 | Fitting | | 1 |
| 68. | 700004 | Filter | | 1 |
| * | KIT 94 | Repair Kit, Chemical Injector | | |
| † | KIT 137 | Repair Kit, Unloader Valve | | |

