

Mi-T-M[®] CORPORATION

8650 Enterprise Drive, Peosta IA 52068

563-556-7484 / Fax 563-556-1235

PARTS LIST FOR ***CW-3504-3MGH/3MGV*** (AFTER SERIAL #317278)

Engine Oil Grade:

Honda:

SAE10W-30

Briggs & Stratton Vanguard:

Above 40°F=SAE 30

Below 40°F=SAE10W-30

Engine Oil Capacity:

Honda:

37 oz.

Briggs & Stratton Vanguard:

50 oz.

Pump Oil Grade:

Mi-T-M Pump Oil #AW-4085-0016

Pump Oil Capacity:

40.6 oz.

Nozzle Size:

4.0

This Parts Listing has been compiled for your benefit. You can be assured your Mi-T-M Cold Water Pressure Washer was constructed and designed with quality and performance in mind using over 25 years experience in the pressure washer business. Each component has been rigorously tested to insure the highest level of acceptance.

The contents of this Parts Listing are based on the latest product information available at the time of publication. Mi-T-M reserves the right to make changes in price, color, materials, equipment, specifications or models at any time without notice.

WARNING

THIS IS A PROFESSIONAL HIGH PRESSURE, COLD WATER PRESSURE WASHER. CAUTION SHOULD BE OBSERVED WHEN USING OR REPAIRING THIS UNIT! READ AND FOLLOW THE SAFETY WARNINGS LISTED BELOW BEFORE ATTEMPTING ANY REPAIRS ON THIS PRESSURE WASHER!

SAFETY WARNINGS

1. NEVER alter or modify the equipment. Be sure any accessory items and system components being used will withstand the pressure developed. Use only genuine Mi-T-M parts for repair of your pressure washer. Failure to do so can cause hazardous operating conditions and will VOID warranty.
2. NEVER make adjustments on machinery while the unit is connected to the power source. Turning over the machinery by hand during adjustment or cleaning might start the machinery, causing serious injury to the operator.
3. Know how to stop and bleed pressures quickly. Be thoroughly familiar with controls.
4. Before servicing the unit, turn unit off, relieve the water pressure and allow the unit to cool down. Do not make repairs while the unit is running. Service in a clean, dry, flat area.
5. After testing the machine, DO NOT leave the pressurized unit unattended. Shut off the unit and release trapped pressure before leaving.

Table of Contents

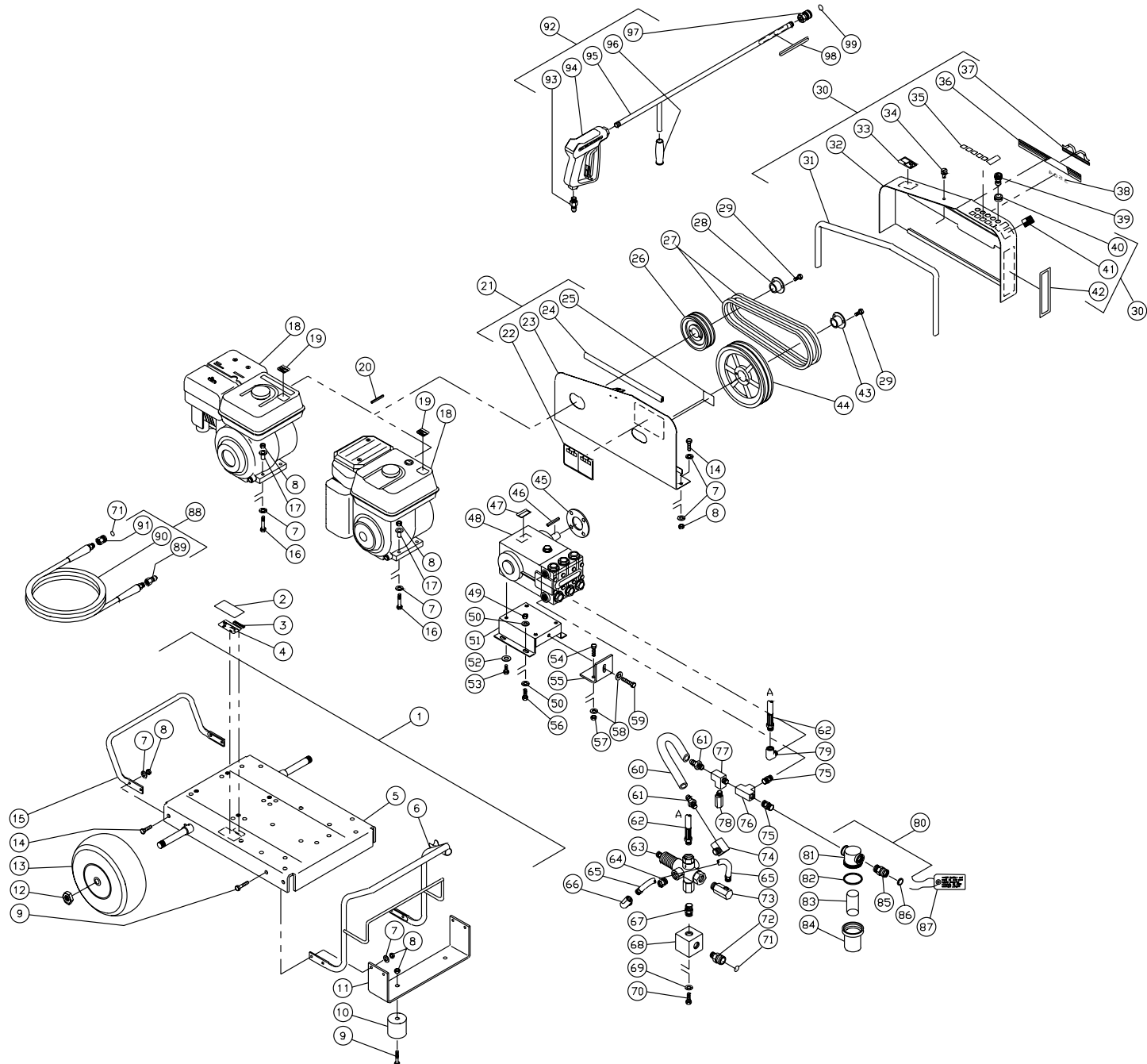
SPECIFICATIONS	3
FRAME ASSEMBLY FOR CW-1504-3MGH/3MGV	4
PUMP ASSEMBLY (3-0142)	6
UNLOADER ASSEMBLY (8-0270)	8
GUN ASSEMBLY (16-0001)	10

SPECIFICATIONS

CW-3504-3MGHV

MODEL NUMBER	CW-3504-3MGH	CW-3504-3MGV
Operating Pressure (PSI/Bar):	3500/241.3	
High Pressure Nozzle:	4.0	
Water Volume (GPM/lpm):	3.8/14.4	
Engine:	Honda	Briggs & Stratton Vanguard
Horsepower	13.0	
Engine Type	4 Stroke, Overhead Valve, Single Cylinder	
Oil Type	SAE10W-30	Above 40 F = SAE30/Below 40 F = SAE10W-30
Oil Capacity (oz./liter)	37/1.1	50/1.5
Low Oil Protection	Oil Alert	Oil Guard
Fuel Type	Unleaded Gasoline 86 Octane Minimum	
Fuel Capacity (gal./liter)	1.7/6.5	2.0/7.9
Starting	Recoil	
Maximum No Load RPM	3600 (+/- 100) RPM	
Pump:	Belt Driven, Oil Bath, Triplex Piston	
Oil Type	Mi-T-M Pump Oil #AW-4085-0016	
Oil Capacity (oz./liters)	40.6/1.2	
Plungers	Ceramic	
Manifold	Forged Brass	
Valves	Stainless Steel	
Unloader	Preset	
Heat Dump Valve	Relieves heated water during unloader bypass stage	
Unit Net Weight (lbs/Kg)	215.5/97.5	217.5/98.5
Unit Shipping Weight (lbs/Kg)	291/132	293/133
Unit Net Dimension (cm)	46Lx28Wx30H/117Lx71Wx76H	
Unit Shipping Dimension (cm)	48.5Lx30.5Wx35.5H/123Lx77.5Wx90H	

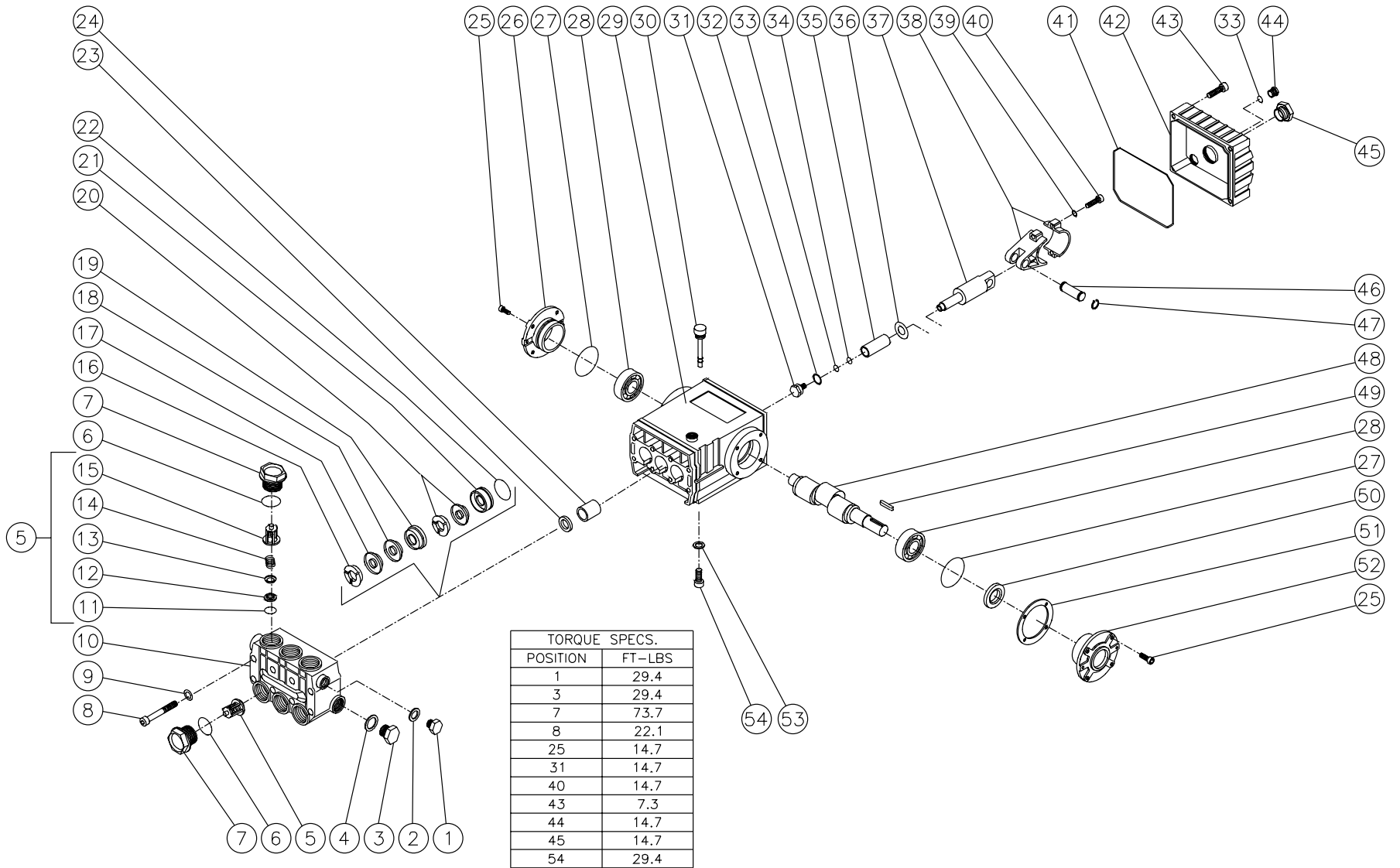
FRAME ASSEMBLY FOR CW-3504-3MGH/3MGV



CW-3504-3MGH/V-011101-RD

FRAME ASSEMBLY FOR CW-3504-3MGH/3MGV											
REF. #	DESCRIPTION	PART #	QTY.	REF. #	DESCRIPTION	PART #	QTY.	REF. #	DESCRIPTION	PART #	QTY.
1	Base Plate Assembly (Inc. 5-15)	851-0210	1	35	Nozzles	34-0500	1	67	Hex Nipple	24-0031	1
2	Decal- Clear Laminate	N/A	1	36	Decal- Mi-T-M Stripe	34-0501	1	68	Manifold Block	51-0012	1
3	Decal- Serial Number	N/A	1	37	Decal- Mi-T-M Logo	62-0086	1	69	Washer	29-0008	2
4	Decal- Data Plate	N/A	1	38	Decal- Die Cut 3504	34-0034	1	70	Bolt	27-0116	2
5	Base Plate	5-0078A01	1	39	Spray Nozzle- 0004	18-0028	1	71	O-ring	25-0123	2
6	Handle-Front	7-0101A01	1	-	Spray Nozzle- 1504	18-0029	1	72	Quick Connect Socket	17-0029	1
7	Washer	28-0003	24	-	Spray Nozzle- 2504	18-0030	1	73	Easy Start Valve	22-0146	1
8	Locknut	30-0157	18	-	Spray Nozzle- 4004	18-0031	1	74	Elbow	23-0035	1
9	Bolt	27-0068	6	40	Grommet	33-0001	5	75	Hex Nipple	23-0012	2
10	Isolator	14-0008	2	41	Decal- American Flag	34-0521	1	76	Tee	23-0043	1
11	Underbracket	13-0042A01	1	42	Decal- Operating Instructions	34-0499	1	77	Tee	23-0124	1
12	Jamnut	30-0117	2	43	Bushing	9-0017	1	78	Heat Dump Valve	22-0005	1
13	Wheel	14-0006	2	44	Sheave	10-0040	1	79	Elbow	24-0105	1
14	Bolt	27-0067	8	45	Isolator	33-0202	1	80	Strainer (Inc. 81-86)	19-0057	1
15	Handle-Rear	7-0104A01	1	46	Key	43-0028	1	81	Strainer Cap	19-0058	1
16	Bolt	27-0070	4	47	Decal- Pump ID Number	N/A	1	82	Strainer Gasket	26-0160	1
17	Shim-Engine	33-0169	4	48	Pump	3-0142	1	83	Strainer Steel Screen	19-0059	1
18	Engine- 13.0 HP Honda (CW-3504-3MGH)	1-0086	1	49	Locknut	30-0161	4	84	Strainer Bowl	19-0060	1
-	Engine- 13.0 HP Vanguard (CW-3504-3MGV)	1-0090	1	50	Washer	28-0030	8	85	Garden Hose Swivel	23-0095	1
19	Decal-Caution: Allow to Cool	34-0588	1	51	Pump Bracket	5-0101A01	1	86	Garden Hose Gasket	26-0001	1
20	Key	43-0078	1	52	Washer	29-0055	4	87	Tag-Water Supply Inlet	34-0097	1
21	Beltguard Back Assembly (Inc. 22-25)	851-0215	1	53	Bolt	27-8471	4	88	High Pressure Hose Assembly (Inc. 89-91)	851-0006	1
22	Decal- Warning/Caution	34-0498	1	54	Bolt	27-0118	2	89	Quick Connect Plug	17-0006	1
23	Beltguard Back (See 851-0215)	N/A Sep.	1	55	Brace Tightener	13-0003A01	1	90	Pressure Hose	15-0004	1
24	Edging *(Two Feet Required)	33-0020	1	56	Bolt	27-0166	4	91	Quick Connect Socket	17-0004	1
25	Decal- Warning: Beltguard Cover	34-0575	1	57	Locknut	30-0159	2	92	Gun/Wand Assembly (Inc. 93-97)	851-0095	1
26	Sheave	10-0030	1	58	Washer	28-0023	3	93	Quick Connect Plug	17-0005	1
27	Belt	11-0035	2	59	Bolt	27-0576	1	94	Gun	16-0001	1
28	Bushing	9-0005	1	60	By-pass Hose	15-0022	1	95	Wand	16-0120A01	1
29	Bolt	27-0015	1	61	Hose Barb	23-0005	2	96	Handle Grip	7-0002	1
30	Beltguard Cover Assembly (31-37, 40-42)	851-0216	1	62	Hose	15-0024	1	97	Quick Connect Socket	17-0001	1
31	Edging *(Four Feet Required)	33-0020	1	63	Unloader	8-0270	1	98	Decal- Warning: Risk of Injection	34-0572	1
32	Beltguard Cover (See 851-0216)	N/A Sep.	1	64	Hex Reducer	23-0056	1	99	O-ring (Replacement Only)	25-0122	-
33	Decal- Warning: Muffler Hot	34-0130	1	65	Hose	15-0140	1	*Must Order in One Foot Lengths			
34	Fastener	33-0197	1	66	Elbow	23-0237	1				

PUMP ASSEMBLY (3-0142)

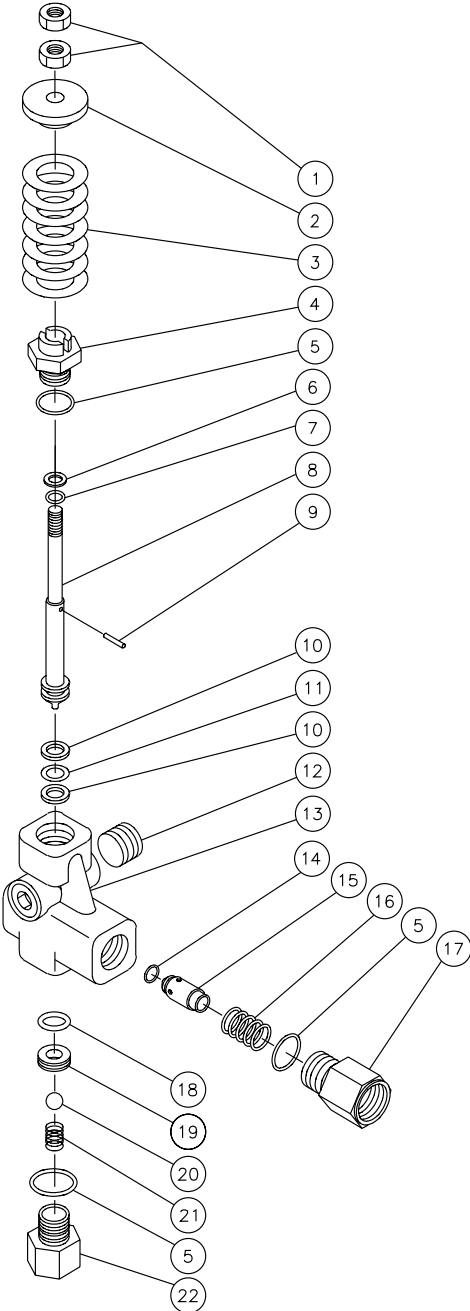


TORQUE SPECS.	
POSITION	FT-LBS
1	29.4
3	29.4
7	73.7
8	22.1
25	14.7
31	14.7
40	14.7
43	7.3
44	14.7
45	14.7
54	29.4

PUMP ASSEMBLY (3-0142)

REF. #	DESCRIPTION	PART #	QTY.	REF. #	DESCRIPTION	PART #	QTY.	REF. #	DESCRIPTION	PART #	QTY.
1	Hex Plug	39-0018	1	21	Seal Retainer	46-0057	3	41	O-ring Cover	25-0339	1
2	Washer	28-1002	1	22	O-ring	25-0015	3	42	Crankcase Cover	46-0295	1
3	Hex Plug	39-0019	1	23	Oil Seal	26-0047	3	43	Bolt	27-8404	5
4	Washer	28-1038	1	24	Bushing	9-0029	3	44	Hex Plug	39-0017	1
5	Valve Assy. (Includes 11-15) (See 70-0009)	N/A Sep.	6	25	Bolt	27-8431	8	45	Oil Level Indicator	46-0114	1
6	O-ring	25-0012	6	26	Crankcase Cover-Closed	46-0336	1	46	Connecting Rod Pin	43-0032	3
7	Valve Plug	39-0020	6	27	O-ring	25-0013	2	47	Retaining Ring	46-0103	6
8	Bolt	27-8185	8	28	Roller Bearing	48-0012	2	48	Crankshaft	46-0888	1
9	Flatwasher	28-1039	8	29	Crankcase	46-0047	1	49	Key	43-0048	1
10	Pump Manifold - Brass 20mm	46-0060	1	30	Oil Dipstick	46-0144	1	50	Oil Seal	26-0049	1
11	O-ring (See 70-0009)	N/A Sep.	6	31	Piston Bolt	46-0069	3	51	Shim	46-0113	1
12	Valve Seat (See 70-0009)	N/A Sep.	6	32	Washer	28-0400	3	52	Crankcase Cover-Open	46-0296	1
13	Valve Plate (See 70-0009)	N/A Sep.	6	33	O-ring	25-0014	4	53	Lockwasher	29-0055	4
14	Valve Spring (See 70-0009)	N/A Sep.	6	34	Back-up Ring	46-0109	3	54	Bolt	27-8471	4
15	Valve Cage (See 70-0009)	N/A Sep.	6	35	Plunger	46-0052	3		Valve Kit (6 each of 5, 11-15)	70-0009	
16	Head Ring (See 852-0122)	N/A Sep.	6	36	Flinger Washer	46-0146	3		Head Ring Kit (3 each of 16)	70-0030	
17	Head Ring (See 852-0122)	N/A Sep.	6	37	Piston Rod	46-0056	3		Packing Kit (3 each of 17, 18, 20)	70-0147	
18	Stop Ring Packing (See 852-0122)	N/A Sep.	6	38	Connecting Rod	46-0051	3		Packing Assy. (3 each of 16, 17, 18, 20, 22)	852-0122	
19	Intermediate Ring	46-0659	3	39	Lockwasher	29-0154	6		Intermediate Retainer Kit (3 each 18, 19)	70-0148	
20	Seal (See 852-0122)	N/A Sep.	3	40	Bolt	27-8435	6				

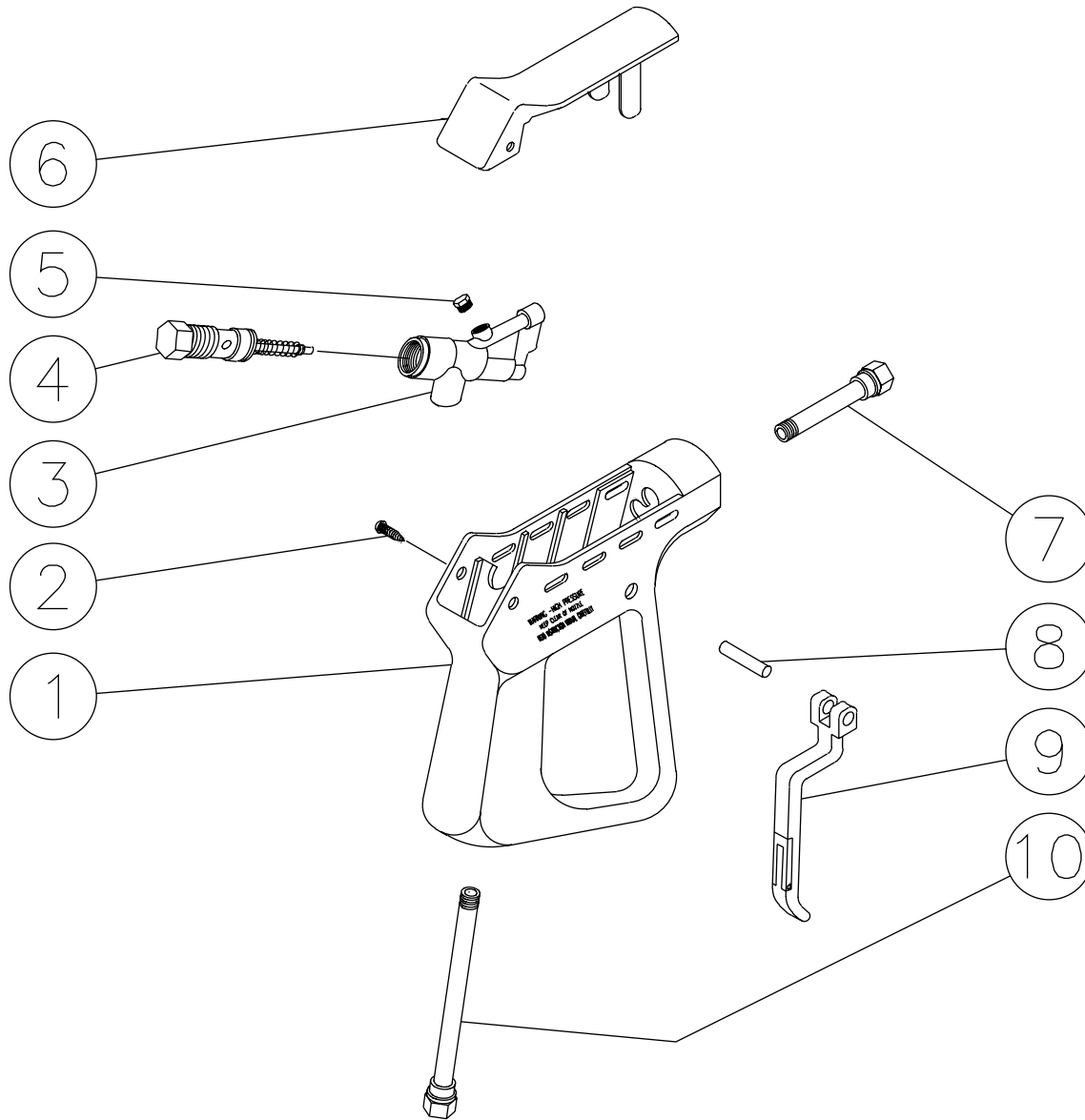
UNLOADER ASSEMBLY (8-0270)



OMGEN043-083094-BAR

UNLOADER ASSEMBLY (8-0270)			
REF. #	DESCRIPTION	PART #	QTY.
1	Hex Nut	30-7203	2
2	Spring Guide	8-0278	1
3	Spring	49-0111	1
4	Piston Housing	8-0279	1
5	O-ring	25-0189	3
6	Back-up Ring	8-0277	1
7	O-ring	25-0192	1
8	Piston	8-0280	1
9	Pin	43-0059	1
10	Back-up Ring	8-0276	2
11	O-ring	25-0191	1
12	Plug	39-0055	2
13	Valve Housing	8-0275	1
14	O-ring	25-0193	1
15	Check Valve	22-0127	1
16	Spring	49-0058	1
17	Outlet Connection	8-0271	1
18	O-ring	25-0190	1
19	Seat	8-0272	1
20	Ball	8-0273	1
21	Spring	49-0059	1
22	Inlet Connection	8-0274	1
	Unloader Kit (5-7, 10, 11, 14, 18-20)	70-0107	1

GUN ASSEMBLY (16-0001)



16-0001-110399-RD

16-0001-110399-RD

GUN ASSEMBLY (16-0001)			
REF. #	DESCRIPTION	PART #	QTY.
1	Plastic Housing	16-0008	1
2	Screw	27-3230	2
3	Brass Housing	16-0012	1
4	Gun Repair Kit	70-0055	1
5	Brass Plug	39-0024	1
6	Plastic Cover	16-0009	1
7	Pipe Assembly	16-0013	1
8	Trigger Pin	16-0063	1
9	Trigger/Safety Lock-off	16-0010	1
10	Pipe Assembly- Inlet	16-0016	1
	Complete Gun Assembly	16-0001	1

