

# Mi-T-M<sup>®</sup> CORPORATION

8650 Enterprise Drive, Peosta IA 52068  
563-556-7484 / Fax 563-556-1235

## PARTS LIST FOR *CW-3504-1MHB*

Engine Oil Grade:  
Engine Oil Capacity:  
Pump Oil Grade:  
Pump Oil Capacity:  
Nozzle Size:

SAE10W-30  
37 oz.  
Mi-T-M Pump Oil #AW-4085-0016  
16 oz.  
4.0

This Parts Listing has been compiled for your benefit. You can be assured your Mi-T-M Cold Water Pressure Washer was constructed and designed with quality and performance in mind using over 25 years experience in the pressure washer business. Each component has been rigorously tested to insure the highest level of acceptance.

The contents of this Parts Listing are based on the latest product information available at the time of publication. Mi-T-M reserves the right to make changes in price, color, materials, equipment, specifications or models at any time without notice.

### **WARNING**

**THIS IS A PROFESSIONAL HIGH PRESSURE, COLD WATER PRESSURE WASHER. CAUTION SHOULD BE OBSERVED WHEN USING OR REPAIRING THIS UNIT! READ AND FOLLOW THE SAFETY WARNINGS LISTED BELOW BEFORE ATTEMPTING ANY REPAIRS ON THIS PRESSURE WASHER!**

### **SAFETY WARNINGS**

1. NEVER alter or modify the equipment. Be sure any accessory items and system components being used will withstand the pressure developed. Use only genuine Mi-T-M parts for repair of your pressure washer. Failure to do so can cause hazardous operating conditions and will VOID warranty.
2. NEVER make adjustments on machinery while the unit is connected to the power source. Turning over the machinery by hand during adjustment or cleaning might start the machinery, causing serious injury to the operator.
3. Know how to stop and bleed pressures quickly. Be thoroughly familiar with controls.
4. Before servicing the unit, turn unit off, relieve the water pressure and allow the unit to cool down. Do not make repairs while the unit is running. Service in a clean, dry, flat area.
5. After testing the machine, DO NOT leave the pressurized unit unattended. Shut off the unit and release trapped pressure before leaving.

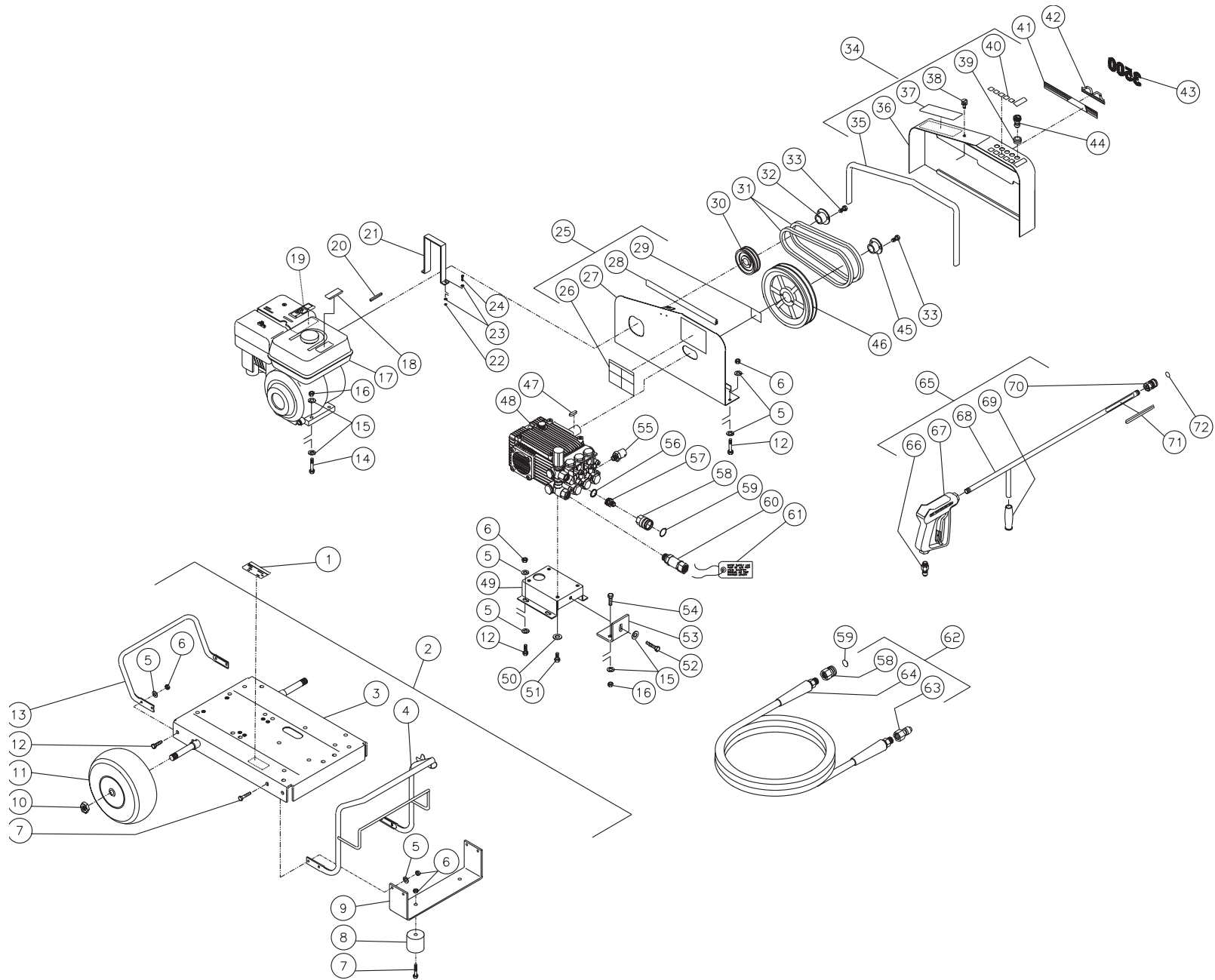
## **Table of Contents**

<b>SPECIFICATIONS</b> .....	<b>3</b>
<b>FRAME ASSEMBLY FOR CW-3504-1MHB</b> .....	<b>4</b>
<b>PUMP ASSEMBLY (3-0189)</b> .....	<b>6</b>
<b>GUN ASSEMBLY (16-0001)</b> .....	<b>8</b>
<b>NOTES</b> .....	<b>10-11</b>

## SPECIFICATIONS

<b>MODEL NUMBER</b>	<b>CW-3504-1MHB</b>
<b>Operating Pressure (PSI/Bar):</b>	3500/241.3
<b>High Pressure Nozzle:</b>	4.0
<b>Water Volume (GPM/lpm):</b>	3.7/14.0
<b>Engine:</b>	Honda
Horsepower	13.0
Engine Type	4 Stroke, Overhead Valve, Single Cylinder
Oil Type	SAE10W-30
Oil Capacity (oz./liters)	37/1.1
Low Oil Protection	Oil Alert™
Fuel Type	Unleaded Gasoline 86 Octane Minimum
Fuel Capacity (gallon/ liters)	1.7/6.5
Starting	Recoil
Maximum No Load RPM	3600 (+/- 100) RPM
<b>Pump:</b>	Belt Driven, Oil Bath, Triplex Piston
Oil Type	Mi-T-M Pump Oil #AW-4085-0016
Oil Capacity (oz./liters)	16/.47
Plungers	Ceramic
Manifold	Forged Brass
Valves	Stainless Steel
Unloader	Adjustable
Heat Dump Valve	Relieves heated water during unloader bypass stage
Detergent Injector	Adjustable low pressure down stream from pump
<b>Unit Net Weight (Lbs/Kg)</b>	190/86.2
<b>Unit Shipping Weight (Lbs/Kg)</b>	270/122.5
<b>Unit Net Dimension (In/Cm)</b>	41Lx26.5Wx26.5H/104Lx67Wx67H
<b>Unit Shipping Dimension (In/Cm)</b>	48.5Lx30.5Wx35.5H/123Lx77.5Wx90H

# FRAME ASSEMBLY FOR CW-3504-1MHB



CW-3504-1MHB-082802-RD

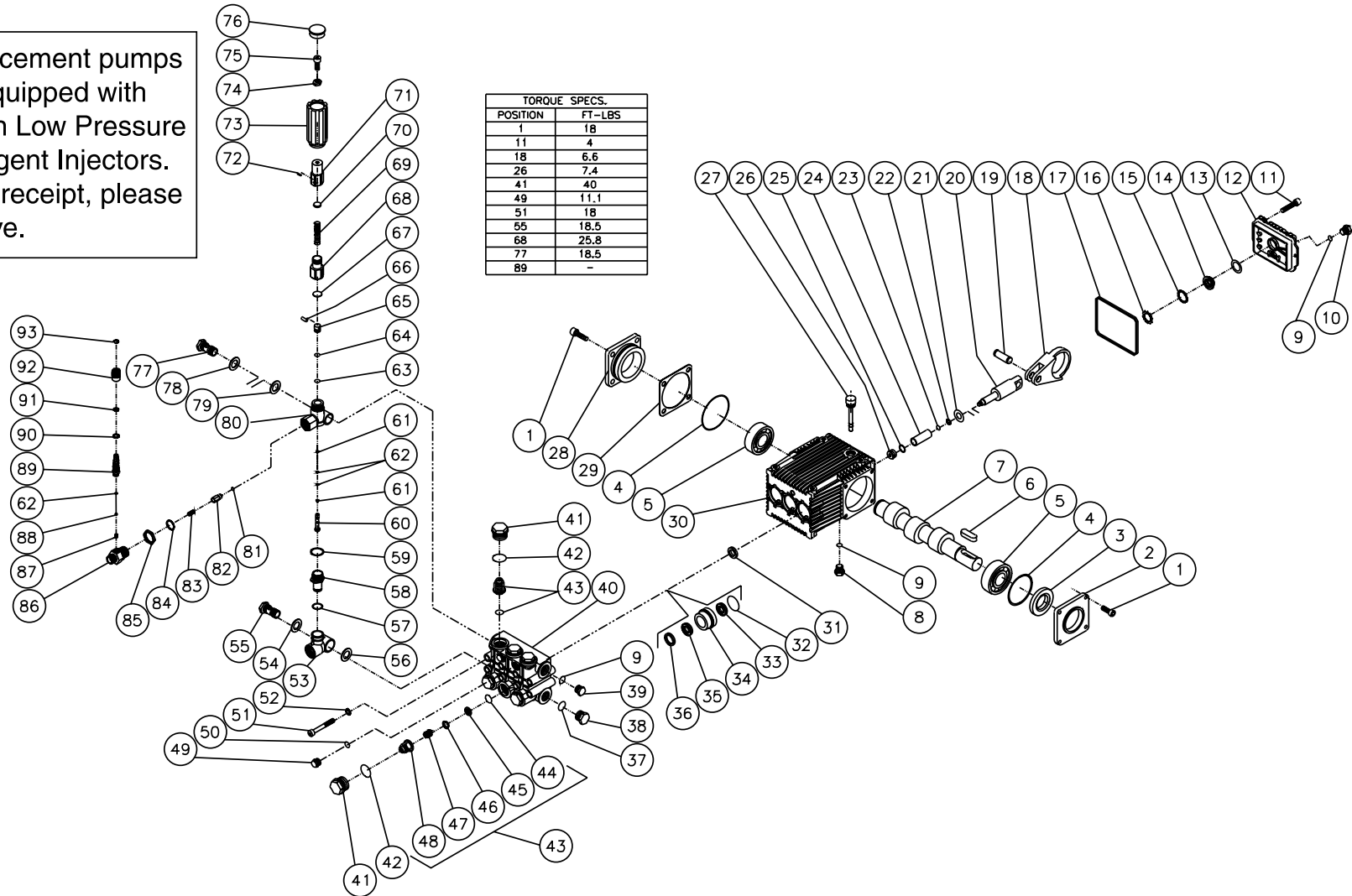
## FRAME ASSEMBLY FOR CW-3504-1MHB

REF #	DESCRIPTION	PART #	QTY	REF #	DESCRIPTION	PART #	QTY	REF #	DESCRIPTION	PART #	QTY
1	Decal- Data Plate	N/A	1	27	Beltguard Back (See 851-0312)	N/A Sep.	1	50	Lockwasher	29-0054	4
2	Base Plate Assembly (Inc. 3-13)	851-0329	1	28	Edging *(Two Feet Required)	33-0020	1	51	Bolt	27-8884	4
3	Base Plate	5-0146A01	1	29	Decal- Warning: Beltguard Cover (E/S) (See 34-9017)	N/A Sep.	1	52	Bolt	27-0576	1
4	Handle- Front	7-0101A01	1	30	Sheave	10-0067	1	53	Brace Tightener	13-0005A01	1
5	Washer	28-0003	24	31	Belt	11-0023	2	54	Bolt	27-0118	2
6	Locknut	30-0157	18	32	Bushing	9-0005	1	55	Heat Dump Valve	22-0005	1
7	Bolt	27-0068	6	33	Bolt w/Bushing	27-0015	4	56	O-ring	25-0372	1
8	Isolator	14-0008	2	34	Beltguard Cover Assembly (Inc. 35-40)	851-0313	1	57	Fitting	24-0159	1
9	Underbracket	13-0042A01	1	35	Edging *(Three Feet Required)	33-0020	1	58	Quick Connect Socket	17-0004	2
10	Jamnut	30-0117	2	36	Beltguard Cover (See 851-0313)	N/A Sep.	1	59	O-ring (Replacement Only)	25-0123	-
11	Wheel	14-0006	2	37	Decal- Operating Instructions (E/S) (See 34-9017)	N/A Sep.	1	60	Garden Hose Filter	19-0206	1
12	Bolt	27-0067	12	38	Fastener	33-0197	1	61	Tag- Water Supply Inlet	34-0097	1
13	Handle- Rear	7-0104A01	1	39	Grommet	33-0001	5	62	Pressure Hose Assembly (Inc. 58, 63, 64)	851-0006	1
14	Bolt	27-0121	4	40	Decal- Nozzle Die Cuts	34-0500	1	63	Quick Connect Plug	17-0006	1
15	Washer	28-0023	11	41	Decal- Mi-T-M Stripe	34-0502	1	64	Pressure Hose	15-0004	1
16	Locknut	30-0159	6	42	Mi-T-M Logo	62-0086	1	65	Gun/Wand Assembly (Inc. 66-70)	851-0095	1
17	Engine- 13HP Honda	1-0086	1	43	Decal- Die Cut 3504	34-0034	1	66	Quick Connect Plug	17-0005	1
18	Decal- Caution: Allow to Cool (E/S) (See 34-9017)	N/A Sep.	1	44	Spray Nozzle- 0004	18-0028	1	67	Gun	16-0001	1
19	Decal- Warning: Muffler Hot (E/S) (See 34-9017)	N/A Sep.	1	-	Spray Nozzle- 1504	18-0029	1	68	Wand w/ 36" Handle	16-0120A01	1
20	Key	43-0078	1	-	Spray Nozzle- 2504	18-0030	1	69	Grip Handle	7-0002	1
21	Finger Guard	6-0054A01	1	-	Spray Nozzle- 4004	18-0031	1	70	Quick Connect Socket	17-0001	1
22	Locknut	30-0155	2	45	Bushing	9-0017	1	71	Decal- Warning: Risk of Injection (E/S) (See 34-9017)	N/A Sep.	1
23	Washer	28-0002	4	46	Sheave	10-0035	1	72	O-ring (Replacement Only)	25-0122	-
24	Bolt	27-0015	2	47	Key w/Pump	46-0601	1		Safety Decal Kit (Inc. 18, 19, 26, 29, 37, 71)	34-9017	
25	Beltguard Back Assembly (Inc. 26-29)	851-0312	1	48	Pump	3-0189	1	*Must Order in One Foot Lengths			
26	Decal- Warning/Caution (E/S) (See 34-9017)	N/A Sep.	1	49	Pump Bracket	5-0130A01	1				

# PUMP ASSEMBLY (3-0189)

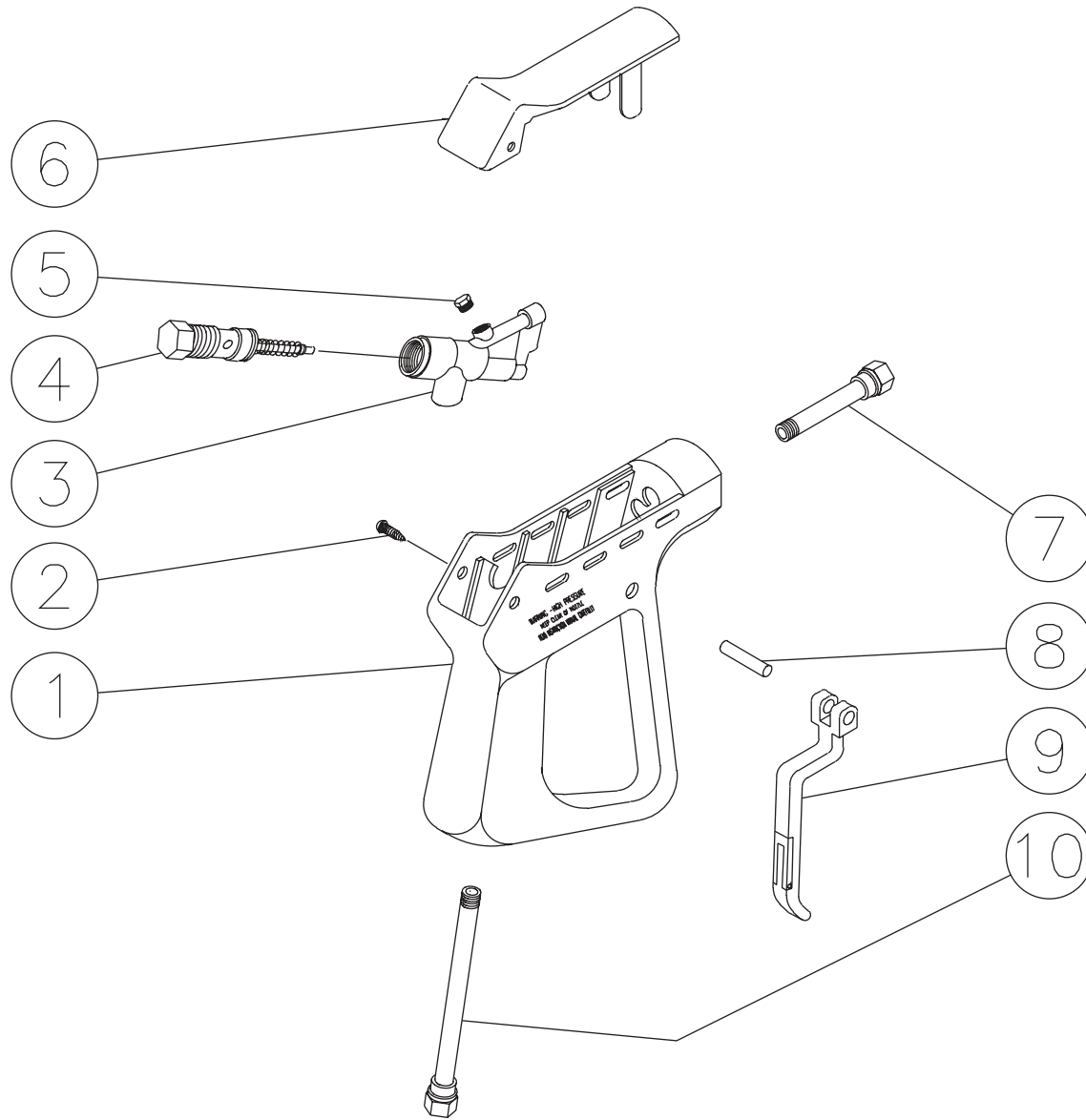
Replacement pumps are equipped with built-in Low Pressure Detergent Injectors. Upon receipt, please remove.

TORQUE SPECS.	
POSITION	FT-LBS
1	18
11	4
18	6.6
26	7.4
41	40
49	11.1
51	18
55	18.5
68	25.8
77	18.5
89	-



PUMP ASSEMBLY (3-0189)											
REF. #	DESCRIPTION	PART #	QTY.	REF. #	DESCRIPTION	PART #	QTY.	REF. #	DESCRIPTION	PART #	QTY.
1	Bolt	27-8884	8	33	Low Pressure Seal (See 70-0177)	N/A Sep.	3	68	Guide Spring	8-0474	1
2	Shaft Cover	46-0691	1	34	Packing Retainer	46-0708	3	69	Spring	49-0132	1
3	Oil Seal	26-0188	1	35	V-Packing (See 70-0177)	N/A Sep.	3	70	Spring Button	8-0475	1
4	O-Ring	25-0380	2	36	Support Ring (See 70-0178)	N/A Sep.	3	71	Adjustment Barrel	8-0476	1
5	Roller Bearing	48-0072	2	37	O-ring	25-0372	1	72	Pin	8-0477	1
-	Roller Bearing (XRCA Series)	48-0061	2	38	Plug	39-0088	1	73	Unloader Knob	7-0141	1
6	Key	43-0091	1	39	Plug	39-0086	1	74	Nut	30-3025	1
7	Crankshaft	46-1103	1	40	Manifold	46-0711	1	75	Bolt	27-8433	1
-	Crankshaft (XRCA Series)	46-0692	1	41	Valve Cap	39-0095	6	76	Cap	7-0142	1
8	Plug	39-0102	1	42	O-ring	25-0160	6	77	Adaptor	8-0448	1
9	O-ring	25-0325	3	43	Single Valve Assembly (Inc. 44-48) (See 70-0319)	N/A Sep.	6	78	Washer	8-0449	1
10	Plug	39-0086	1	44	O-ring	25-0386	6	79	Washer	8-0450	1
11	Bolt	27-8885	6	45	Valve Seat (See 70-0319)	N/A Sep.	6	80	Unloader Body	8-0451	1
12	Crankcase Cover	46-0719	1	46	Valve Plate (See 70-0319)	N/A Sep.	6	81	O-ring	25-0437	1
13	O-ring	25-0370	1	47	Valve Spring (See 70-0319)	N/A Sep.	6	82	Check Valve	8-0454	1
14	Oil Sight Glass	46-0670	1	48	Valve Cage (See 70-0319)	N/A Sep.	6	83	Spring	49-0123	1
15	Reflector	46-0824	1	49	Plug	39-0096	2	84	O-ring	25-0372	1
16	Retainer	46-0671	1	50	O-ring	25-0387	2	85	Tightener Nut	8-0497	1
17	O-ring	25-0398	1	51	Bolt	27-8440	8	86	Injector Adapter	8-0498	1
18	Connecting Rod	46-0697	3	52	Lockwasher	29-0154	8	87	Detergent Injector Spring (See 70-0196)	N/A Sep.	1
19	Piston Pin	46-0698	3	53	Inlet Bypass Adaptor	8-0437	1	88	Ball (See 70-0196)	N/A Sep.	1
20	Plunger Rod	46-0699	3	54	Washer	8-0440	1	89	Barb	8-0499	1
21	Washer	46-0700	3	55	Adaptor	8-0438	1	90	O-ring (See 70-0196)	N/A Sep.	1
22	Backup Ring	25-0404	3	56	Washer	8-0439	1	91	O-ring (See 70-0196)	N/A Sep.	1
23	O-ring	25-0382	3	57	O-ring (See 8-0456)	N/A Sep.	1	92	Knob	7-0152	1
24	Piston	46-0701	3	58	Nipple	8-0441	1	93	Snap Ring (See 70-0196)	N/A Sep.	1
25	Washer	26-0191	3	59	O-ring (See 8-0456)	N/A Sep.	1		High Pressure Seal Kit (Inc. 3 each 32, 33, 35)	70-0177	
26	Nut	30-6020	3	60	Piston	8-0442	1		Support Ring Kit (Includes 3 each 36)	70-0178	
27	Oil Dipstick	39-0090	1	61	Backup Ring (See 8-0456)	N/A Sep.	2		Valve Kit (Includes 6 each 44-48)	70-0319	
28	Bearing Cap/ Support	46-0703	1	62	O-ring	25-0371	3		Unloader Kit (Inc. 53-83)	8-0456	
29	Shim (Quantity Varies 1-3)	46-0704	-	63	O-ring (See 8-0456)	N/A Sep.	1		Unloader Repair Kit (Inc. 57, 59, 61-64, 81)	70-0180	
-	Shim (Quantity Varies 1-3)	46-0705	-	64	Backup Ring (See 8-0456)	N/A Sep.	1		Injector Kit (Inc. 62, 84-93)	70-0196	
30	Crankcase	46-0811	1	65	Poppet	8-0443	1		Oil Seals Kit (Inc. 3, 4, 17, 31)	70-0321	
31	Oil Seal	46-0931	3	66	Pin	8-0444	1		Piston Kit (Inc. 3 each 21-26)	70-0352	
32	O-ring	25-0384	3	67	Spring Button	8-0445	1				

# GUN ASSEMBLY (16-0001)





16-0001-110399-RD

<b>GUN ASSEMBLY (16-0001)</b>			
<b>REF. #</b>	<b>DESCRIPTION</b>	<b>PART #</b>	<b>QTY.</b>
1	Plastic Housing	16-0008	1
2	Screw	27-3230	2
3	Brass Housing	16-0012	1
4	Gun Repair Kit	70-0055	1
5	Brass Plug	39-0024	1
6	Plastic Cover	16-0009	1
7	Pipe Assembly	16-0013	1
8	Trigger Pin	16-0063	1
9	Trigger/Safety Lock-off	16-0010	1
10	Pipe Assembly- Inlet	16-0016	1
	Complete Gun Assembly	16-0001	1

---

NOTES

---

NOTES

