



The Chore Master®

PARTS LIST FOR ***CV-3000-0MHC*** ***CV-3000-0MSC***

Engine Oil Grade:	SAE10W-30
Engine Oil Capacity:	SEE MODEL SPECIFICATIONS
Nozzle Size:	3.0 mm

This Parts Listing has been compiled for your benefit. You can be assured your Mi-T-M Cold Water Pressure Washer was constructed and designed with quality and performance in mind using over 25 years experience in the pressure washer business. Each component has been rigorously tested to insure the highest level of acceptance.

The contents of this Parts Listing are based on the latest product information available at the time of publication. Mi-T-M reserves the right to make changes in price, color, materials, equipment, specifications or models at any time without notice.

WARNING

THIS IS A PROFESSIONAL HIGH PRESSURE, COLD WATER PRESSURE WASHER. CAUTION SHOULD BE OBSERVED WHEN USING OR REPAIRING THIS UNIT! READ AND FOLLOW THE SAFETY WARNINGS LISTED BELOW BEFORE ATTEMPTING ANY REPAIRS ON THIS PRESSURE WASHER!

SAFETY WARNINGS

1. NEVER alter or modify the equipment. Be sure any accessory items and system components being used will withstand the pressure developed. Use only genuine Mi-T-M parts for repair of your pressure washer. Failure to do so can cause hazardous operating conditions and will VOID warranty.
2. NEVER make adjustments on machinery while the unit is connected to the power source. Turning over the machinery by hand during adjustment or cleaning might start the machinery, causing serious injury to the operator.
3. Know how to stop and bleed pressures quickly. Be thoroughly familiar with controls.
4. Before servicing the unit, turn unit off, relieve the water pressure and allow the unit to cool down. Do not make repairs while the unit is running. Service in a clean, dry, flat area.
5. After testing the machine, DO NOT leave the pressurized unit unattended. Shut off the unit and release trapped pressure before leaving.

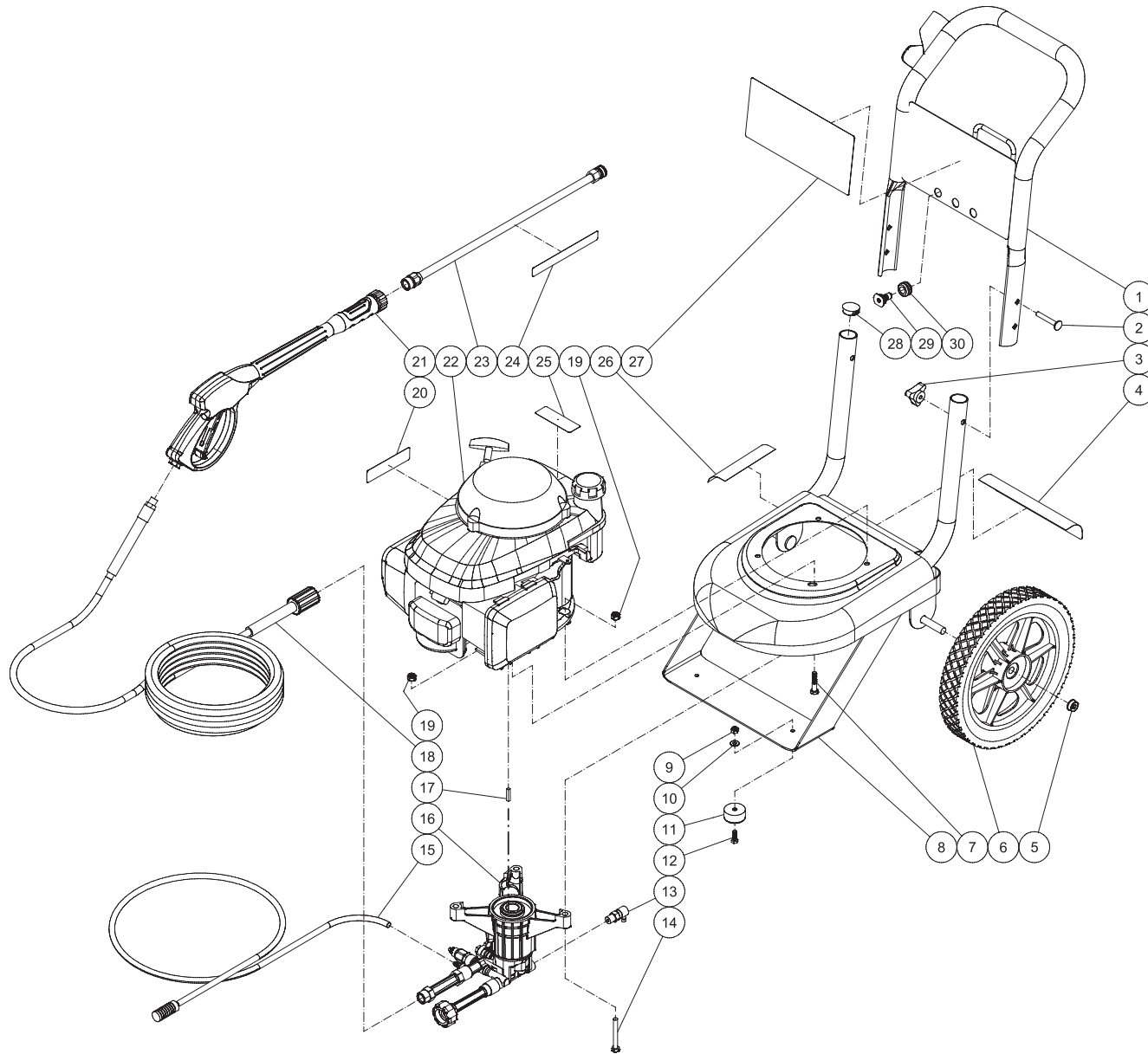
Table of Contents

SPECIFICATIONS	3
FRAME ASSEMBLY FOR CV-3000-0MHC / CV-3000-0MSC	4
PUMP ASSEMBLY (3-0359)	6

SPECIFICATIONS

MODEL NUMBER	CV-3000-0MHC	CV-3000-0MSC
Operating Pressure (PSI/Bar):	3000/206.8	3000/206.8
High Pressure Nozzle:	3.0 mm	3.0 mm
Water Volume (GPM/lpm):	2.0/7.6	2.0/7.6
Engine:	Honda	Subaru
Model #	GCV 190	RCV 190
Engine Type	4 Stroke, Overhead Valve, Single Cylinder	4 Stroke, Overhead Valve, Single Cylinder
Oil Type	SAE10W-30	SAE10W-30
Oil Capacity (oz./liters)	19/0.55	22/0.65
Fuel Type	Unleaded Gasoline 86 Octane Minimum	Unleaded Gasoline 86 Octane Minimum
Fuel Capacity (gallon/ liters)	0.25/0.93	0.26/1.0
Starting	Recoil	Recoil
Maximum No Load RPM	3600 (+/- 100) RPM	3600 (+/- 100) RPM
Pump:	Direct Driven, Oil Bath, Triplex Axial Piston	Direct Driven, Oil Bath, Triplex Axial Piston
Oil Type	Factory Sealed	Factory Sealed
Plungers	Stainless Steel	Stainless Steel
Manifold	Brass	Brass
Valves	Plastic	Plastic
Unloader	Preset	Preset
Detergent Injector	Low pressure down stream from pump	Low pressure down stream from pump
Unit Net Weight (lbs/Kg)	62/28	62/28
Unit Shipping Weight (lbs/Kg)	74/33.5	74/33.5
Unit Net Dimension (in/cm)	18.25Lx18Wx22H/ 46.4Lx45.7Wx55.9H	18.25Lx18Wx22H/ 46.4Lx45.7Wx55.9H
Unit Shipping Dimension (in/cm)	23Lx17.75Wx22H/ 58.4Lx45.1Wx55.9H	23Lx17.75Wx22H/ 58.4Lx45.1Wx55.9H

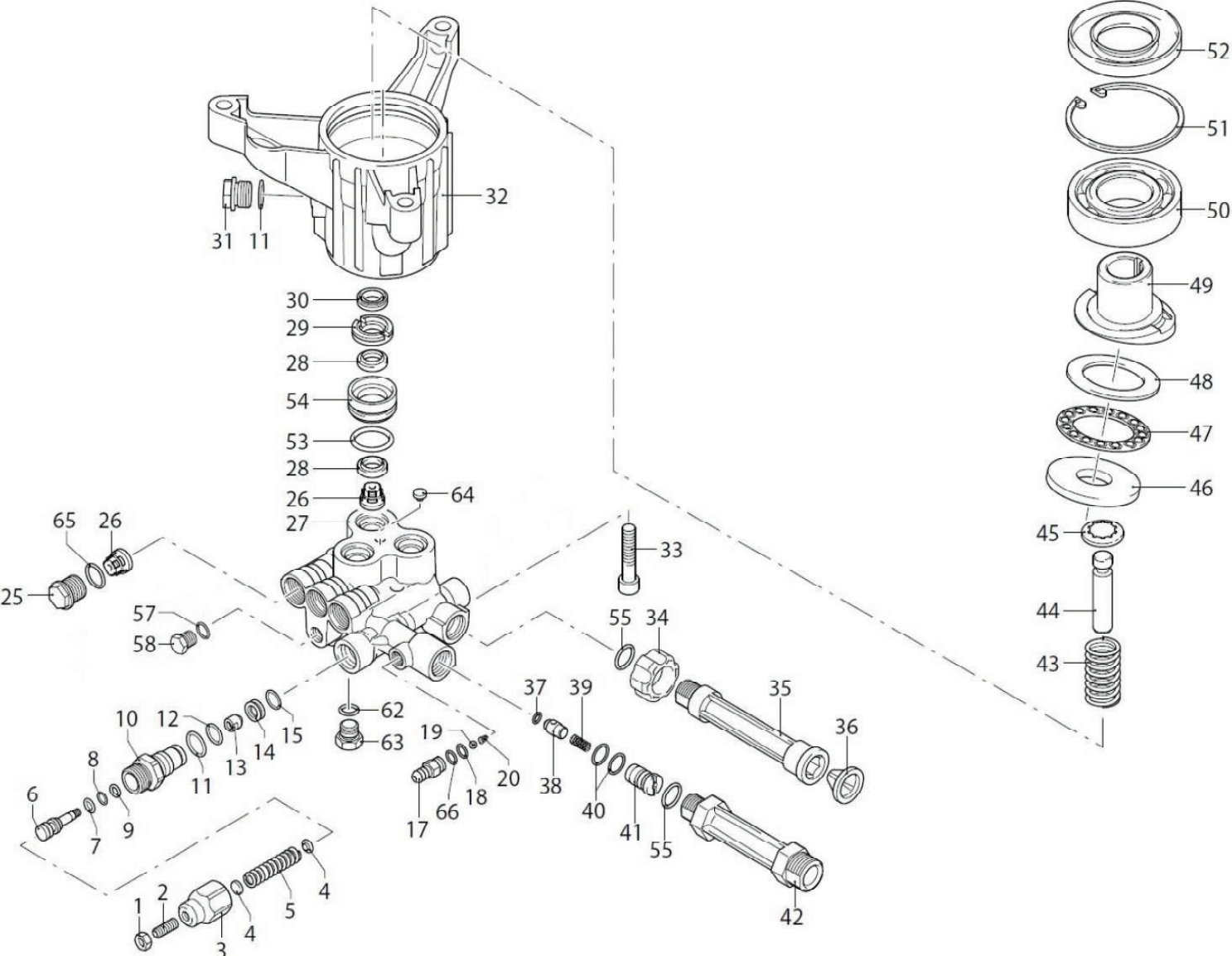
FRAME ASSEMBLY FOR CV-3000-0MHC / CV-3000-0MSC



CV-3000-0MHC_SC 041114 JDK

FRAME ASSEMBLY			
ITEM	DESCRIPTION	PART #	QTY
1	HANDLE	7-0222A01	1
2	BOLT	31-0051	2
3	KNOB	7-0107	2
4	DECAL- WARNING/CAUTION/OPERATION (S) (SEE 71-1002)	N/A	1
5	HUB CAP	33-0055	2
6	WHEEL	14-0111	2
7	BOLT	27-0069	1
8	BASE ASSEMBLY	5-0270A53	1
9	LOCKNUT	30-0155	2
10	WASHER	28-0002	2
11	ISOLATOR	14-0069	2
12	BOLT	27-0015	2
13	HEAT DUMP VALVE	22-0408	1
14	BOLT	27-0073	3
15	DETERGENT HOSE	19-0233	1
16	PUMP	3-0359	1
17	KEY (0MSC)	43-0082	1
-	KEY (0MHC)	43-0072	1
18	HOSE	15-0239	1
19	LOCKNUT	30-0157	4
20	DECAL - RISK OF BURNS (SEE 71-1002)	N/A	1
21	GUN & WAND	16-0442	1
22	ENGINE - HONDA 190CC VERT	1-0195	1
-	ENGINE - SUBARU 190CC VERTICAL	1-0193	1
23	LANCE ASSEMBLY	16-0366	1
24	DECAL - RISK OF INJECTION (SEE 71-1002)	N/A	1
25	DECAL - RISK OF FIRE (SEE 71-1002)	N/A	1
26	DECAL - SILVER STICKER	N/A	1
27	DECAL - PLACARD/WRN CV-3000 (SEE 71-1002)	N/A	1
28	PLUG	62-0200	2
29	NOZZLE	18-0388	1
-	NOZZLE	18-0386	1
-	NOZZLE	18-0390	1
30	GROMMET	33-0001	3
-	DECAL SET	71-1002	1

PUMP ASSEMBLY (3-0359)



3-0359-081913-JDK

PUMP ASSEMBLY							
ITEM	DESCRIPTION	PART #	QTY	ITEM	DESCRIPTION	PART #	QTY
1	NUT (SEE KIT 70-0446)	30-6024	1	35	INLET EXTENSION	46-1421	1
2	SCREW (SEE KIT 70-0446)	27-9587	1	36	INLET FILTER	19-0001	1
3	HANDLE INSERT (SEE KIT 70-0446)	8-0564	1	37	O-RING (SEE KIT 70-0559 AND 70-0626)	25-0406	1
4	SPRING (SEE KIT 70-0446)	8-0501	2	38	JET (SEE KIT 70-0626)	SEE KIT	1
5	SPRING (SEE KIT 70-0446)	49-0157	1	39	SPRING (SEE KIT 70-0626)	SEE KIT	1
6	VALVE PISTON (SEE KIT 70-0446)	8-0565	1	40	O-RING (SEE KIT 70-0559 AND 70-0626)	25-0343	2
7	O-RING (SEE KIT 70-0446 AND 70-0559)	25-0526	1	41	INJECTOR (SEE KIT 70-0626)	SEE KIT	1
8	O-RING (SEE KIT 70-0446 AND 70-0559)	SEE KIT	1	42	OUTLET EXTENSION	46-1424	1
9	RING (SEE KIT 70-0446)	25-0589	1	43	SPRING	49-0160	3
10	PISTON GUIDE (SEE KIT 70-0446)	8-0566	1	44	PISTON (SEE KIT 70-0558)	SEE KIT	3
11	O-RING (SEE KIT 70-0446 AND 70-0559)	25-0325	2	45	RING	46-1183	3
12	O-RING (SEE KIT 70-0446 AND 70-0559)	25-0387	1	46	THRUST WASHER	46-0876	1
13	BY-PASS JET (SEE KIT 70-0446)	8-0569	1	47	BEARING	48-0057	1
14	SEAT (SEE KIT 70-0446)	8-0570	1	48	THRUST WASHER	48-0056	1
15	O-RING (SEE KIT 70-0446 AND 70-0559)	25-0500	1	49	SHAFT	46-1426	1
17	HOSE NIPPLE	23-0509	1	50	BEARING	48-0083	1
18	O-RING (SEE KIT 70-0559)	25-0371	1	51	CIRCLIP	46-1185	1
19	BALL	8-0521	1	52	SEAL (SEE KIT 70-0411)	26-0290	1
20	SPRING	8-0520	1	53	O-RING	25-0399	3
25	PLUG	39-0218	3	54	BUSHING	46-1260	3
26	VALVE (SEE KIT 70-0557)	SEE KIT	6	55	O-RING (SEE KIT 70-0559)	25-0536	2
27	PUMP HEAD	46-1425	1	57	O-RING	25-0382	1
28	GASKET (SEE KIT 70-0412)	SEE KIT	3	58	SCREW	27-9599	1
29	BUSHING	14-1261	3	62	WASHER	-	1
30	SEAL (SEE KIT 70-0411)	SEE KIT	3	63	PLUG	-	1
31	PLUG	39-0203	1	64	PLUG	-	1
32	PUMP HOUSING	-	1	65	O-RING	25-0673	3
33	BOLT	27-9603	3	66	O-RING	-	1
34	GARDEN HOSE FITTING	46-1178	1				

REPLACEMENT KITS				
Mi-T-M KIT #	DESCRIPTION	ITEMS	# OF ASSEMBLIES	#OF CYLINDERS
70-0411	KIT - OIL SEALS	30, 52	3, 1	-
70-0412	KIT - WATER SEALS	28	6	3
70-0446	KIT - UNLOADER	1-3, 4, 5-15	1, 2, 1	-
70-0557	KIT - VALVES	26	6	3
70-0558	KIT - PISTONS	44	3	3
70-0559	KIT - O-RINGS	7-8, 11, 12, 15, 18, 37, 40, 55	1, 2, 1, 1, 1, 1, 2, 2, 1	-
70-0626	KIT - SHUTTER VALVE	37-39, 40, 41	1, 2, 1	-

Manufactured by Mi-T-M
8650 Enterprise Drive, Peosta IA 52068
563-556-7484/ Fax 563-556-1235