

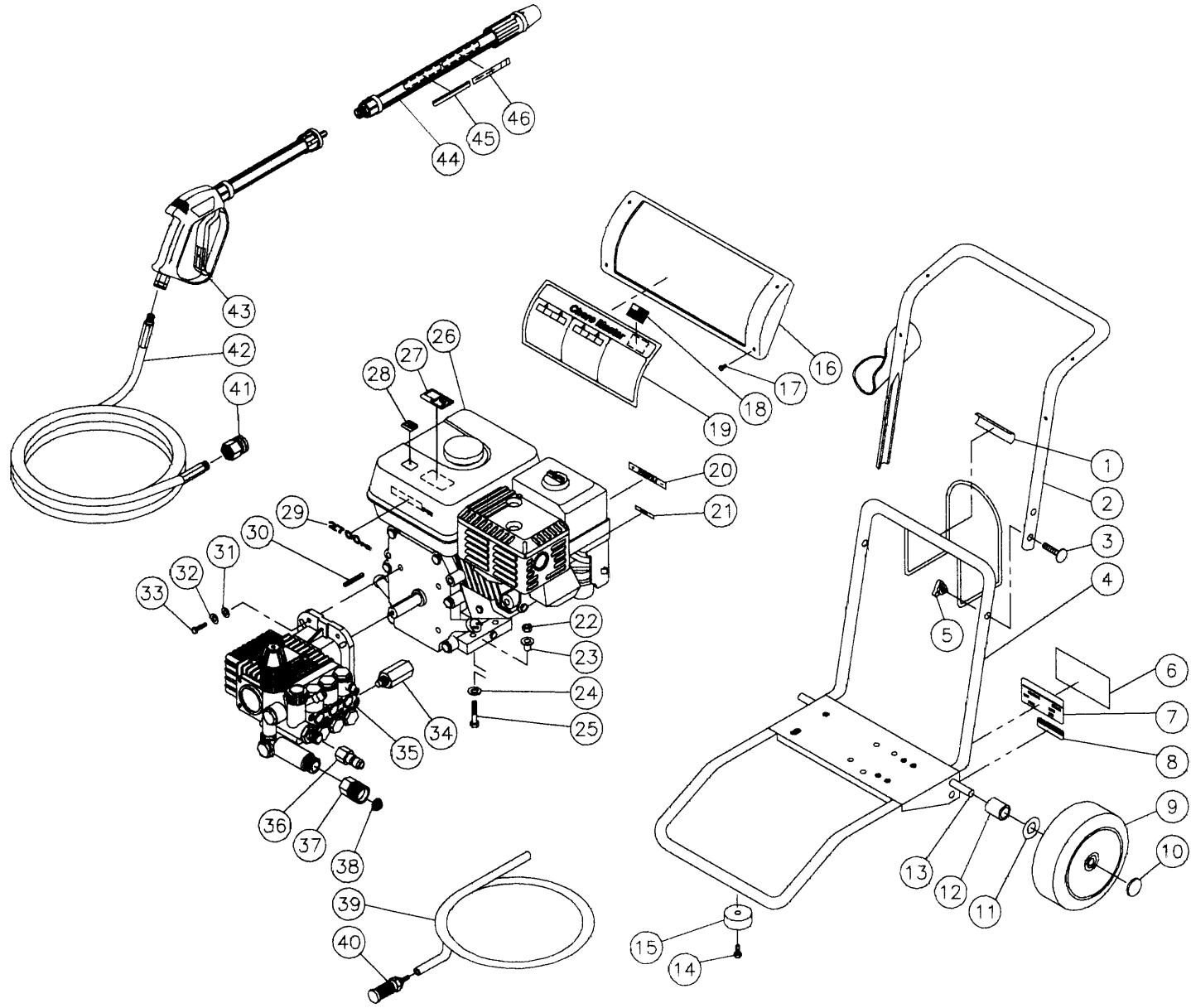
# **Mi-T-M<sup>®</sup> CORPORATION**

8650 Enterprise Drive, Peosta IA 52068-0050  
319-556-7484 / Fax 319-556-1235

## **CM-2703-0MHC PARTS LIST**

<b>ENGINE OIL GRADE:</b>	<b>30W</b>
<b>ENGINE OIL CAPACITY:</b>	<b>20 oz.</b>
<b>PUMP OIL:</b>	<b>MI-T-M #AW-4085-0016</b>
<b>PUMP OIL CAPACITY:</b>	<b>18 oz.</b>
<b>NOZZLE SIZE:</b>	<b>1.10 mm</b>

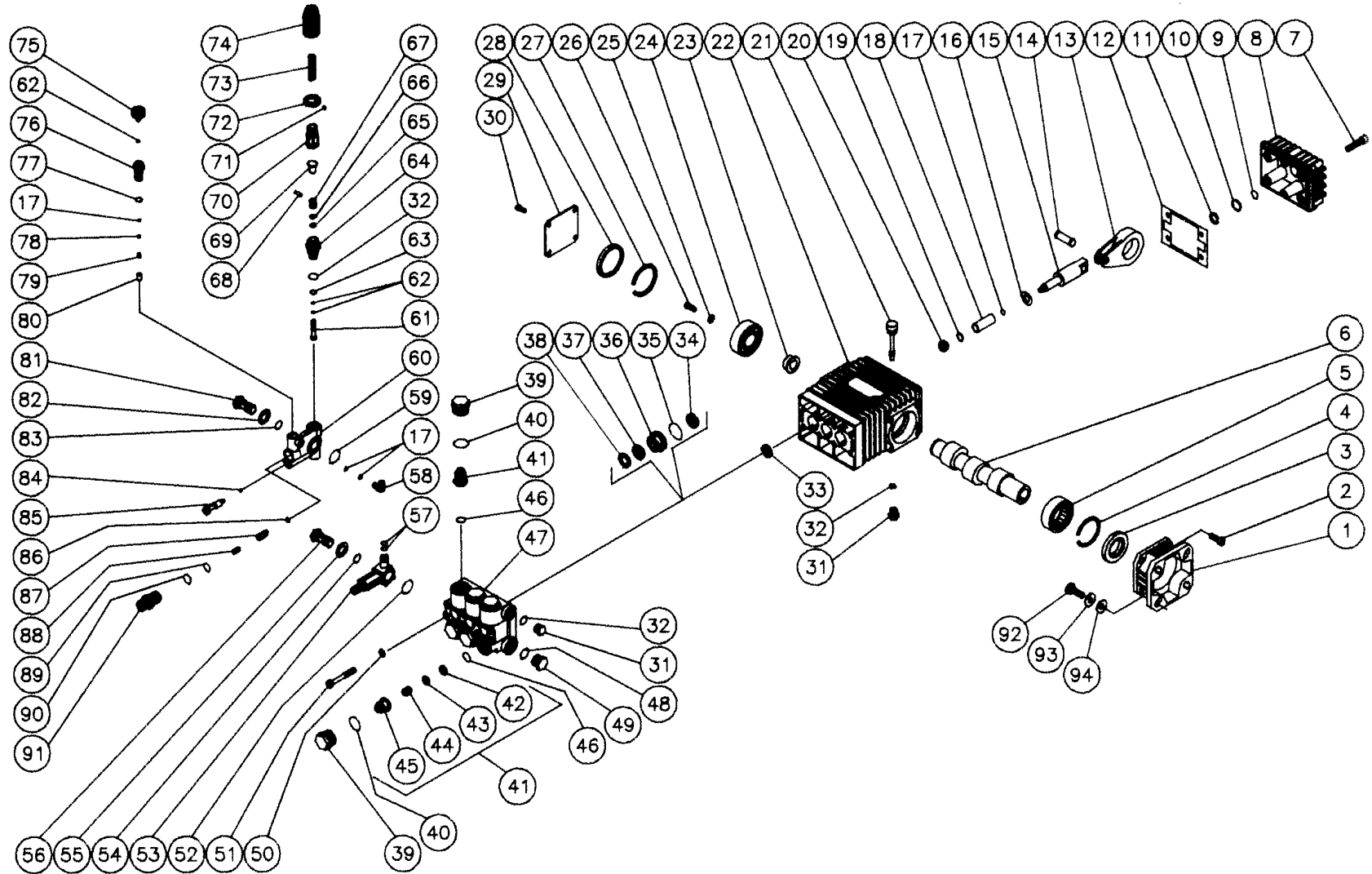
# FRAME ASSEMBLY FOR CM-2703-0MHC



OMCH032/020796/JTR

FRAME ASSEMBLY FOR CM-2703-0MHC								
REF. #	DESCRIPTION	PART #	QTY.		REF. #	DESCRIPTION	PART #	QTY.
1	Decal-Technical Service Number	34-0603	1		25	Bolt	27-0069	4
2	Handle	7-0106	1		26	Engine	1-0088	1
3	Carriage Bolt	31-0051	2		27	Decal-Warning: Muffler Hot	34-0130	1
4	Frame	5-0102	1		28	Decal-Caution: Allow to Cool	34-0588	1
5	Knob	7-0107	2		29	Decal-Orange Die Cut 2700 PSI	34-0713	1
6	Decal-Clear Laminate	34-0210	1		30	Key	43-0078	1
7	Decal-ID Silver Sticker	34-0486	1		31	Washer	28-0022	4
8	Decal-Serial Number	N/A	1		32	Lockwasher	29-0008	4
9	Wheel	14-0017	2		33	Bolt	27-0118	4
10	Hub Cap	33-0018	2		34	Heat Dump Valve	22-0208	1
11	Washer	28-0008	4		35	Pump	3-0140	1
12	Axle Spacer	20-0314	2		36	Quick Connect Plug	17-0006	1
13	Axle	20-0351	1		37	Garden Hose Swivel	23-0001	1
14	Screw	27-3064	2		38	Filter	19-0001	1
15	Isolator	14-0007	2		39	Detergent Hose *(4 feet required)	15-0021	1
16	Name Plate	62-0084	1		40	Detergent Strainer	19-0050	1
17	Screw	27-3049	4		41	Quick Connect Socket	17-0004	1
18	Decal-American Flag	34-0521	1		42	High Pressure Discharge Hose	15-0137	1
19	Decal-Warning: Pictoral	34-0471	1		43	Gun Assembly	16-0218	1
20	Decal-Throttle	34-0459	1		44	Variable Nozzle Assy. 1.10 mm (White)	16-0331	1
21	Decal-Choke Lever	34-0458	1		45	Decal-Warning: Risk of Injection	34-0572	1
22	Locknut	30-0157	4		46	Decal-Adjustble Nozzle	34-0457	1
23	Shim-Engine	33-0169	4			*Must order in one foot lengths.		
24	Washer	28-0003	4					

# PUMP ASSEMBLY (3-0140) FOR CM-2703-0MHC

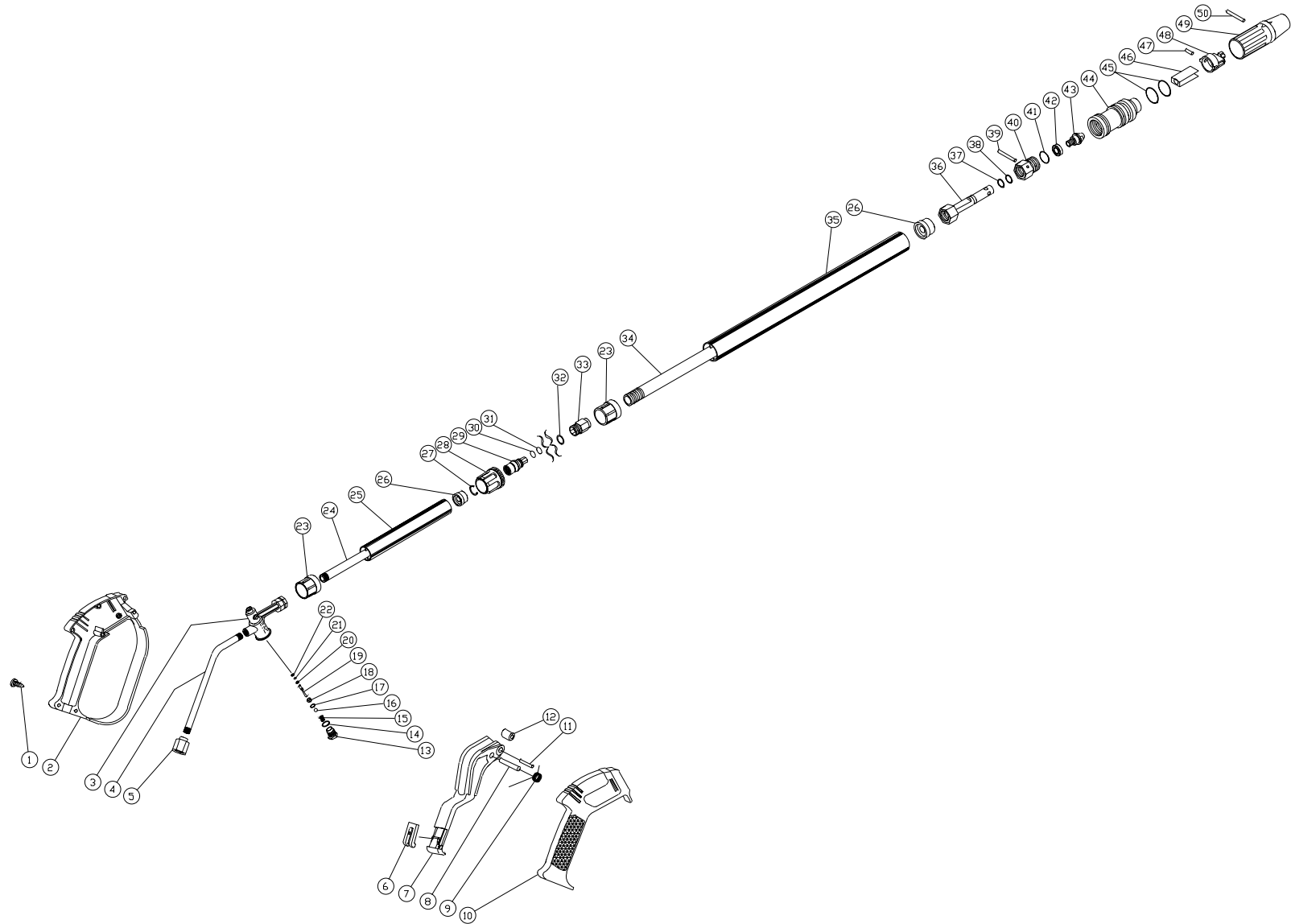


OMPMP034/040496/DCE

**PUMP ASSEMBLY (3-0140)**

REF #	DESCRIPTION	PART #	QTY	REF #	DESCRIPTION	PART #	QTY	REF #	DESCRIPTION	PART #	QTY
1	Flange	38-0047	1	33	Oil Seal (See 70-0162)	N/A Sep.	3	65	O-ring (See 70-0164)	N/A Sep.	1
2	Bolt	27-8872	4	34	Vacuum Cup (See 70-0163)	N/A Sep.	3	66	Back-up Ring (See 70-0164)	N/A Sep.	1
3	Oil Seal (See 70-0162)	N/A Sep.	1	35	O-ring (See 70-0163)	N/A Sep.	3	67	Poppet	8-0415	1
4	Retaining Ring	46-0667	1	36	Packing Retainer	46-0678	3	68	Poppet	43-0087	1
5	Needle Bearing	48-0059	1	37	V-packing (See 70-0163)	N/A Sep.	3	69	Spring Button	8-0416	1
6	Crankshaft	46-0668	1	38	Head Ring (See 70-0163)	N/A Sep.	3	70	Guide Spring	8-0417	1
7	Bolt	27-8873	6	39	Valve Cap	39-0087	6	71	Set Screw	27-8876	1
8	Crankcase Cover	46-0669	1	40	O-ring	25-0160	6	72	Locknut	30-6015	1
9	O-ring	25-0370	1	41	Valve Assy. (42-45) (See 70-0161)	N/A Sep.	6	73	Spring	49-0119	1
10	Oil Sight Glass	46-0670	1	42	Valve Seat (See 70-0161)	N/A Sep.	6	74	Unloader Knob	7-0137	1
11	Spring Retainer	46-0671	1	43	Valve Plate (See 70-0161)	N/A Sep.	6	75	Adjustable Detergent Knob	7-0138	1
12	Gasket (See 70-0162)	N/A Sep.	1	44	Valve Spring (See 70-0161)	N/A Sep.	6	76	Injector Body	8-0418	1
13	Connecting Rod	46-0672	3	45	Valve Cage (See 70-0161)	N/A Sep.	6	77	O-ring (See 70-0165)	N/A Sep.	1
14	Wrist Pin	43-0086	3	46	O-ring (See 70-0161)	N/A Sep.	6	78	Ball (See 70-0165)	N/A Sep.	1
15	Plunger Guide	46-0673	3	47	Manifold	46-0679	1	79	Spring (See 70-0165)	N/A Sep.	1
16	Slinger Washer	28-1022	3	48	O-ring	25-0372	1	80	Valve Cage (See 70-0165)	N/A Sep.	1
17	O-ring	25-0371	4	49	Valve Port Plug	39-0088	1	81	Port Adapter	8-0419	1
18	Plunger	46-0674	3	50	Washer	29-0014	8	82	Washer	28-1024	1
19	Seal	26-0187	3	51	Bolt	27-8875	8	83	O-ring (See 70-0165)	N/A Sep.	2
20	Nut	30-6016	3	52	O-ring (See 70-0164)	N/A Sep.	1	84	O-ring (See 70-0165)	N/A Sep.	1
21	Oil Dipstick	39-0090	1	53	Inlet By-pass Adapter	51-0018	1	85	Plug	39-0089	1
22	Crankcase	46-0675	1	54	O-ring (See 70-0164)	N/A Sep.	1	86	O-ring (See 70-0165)	N/A Sep.	1
23	Shaft Retainer	9-0052	1	55	Washer	28-1023	1	87	Check Valve (See 70-0165)	N/A Sep.	1
	Ball Bearing	48-0060	1	56	Inlet Port Adapter	8-0410	1	88	Spring (See 70-0165)	N/A Sep.	1
25	Washer	28-1025	1	57	O-ring (See 70-0164)	N/A Sep.	2	89	O-ring (See 70-0165)	N/A Sep.	1
26	Bolt	27-8405	1	58	Detergent Injector	8-0411	1	90	O-ring (See 70-0165)	N/A Sep.	1
27	Retaining Ring	46-0676	1	59	O-ring (See 70-0164)	N/A Sep.	1	91	Port Adapter (See 70-0165)	N/A Sep.	1
28	Plug	46-0677	1	60	Unloader Body	8-0412	1		Valve Kit (Includes 42-46)	70-0161	
29	Cover	20-0375	1	61	Piston	8-0413	1		Oil Seal Kit (Includes 3, 12, 33)	70-0162	
30	Bolt	27-8874	4	62	O-ring (See 70-0164)	N/A Sep.	3		Packing Kit (Includes 34, 35, 37, 38)	70-0163	
31	Drain Plug	39-0086	1	63	O-ring (See 70-0164)	N/A Sep.	1		Unloader Repair Kit (17, 32, 52, 54, 57, 59, 62, 63, 65, 66, 77, 78, 79, 83, 84, 86-90)	70-0164	
32	O-ring	25-0325	1	64	Piston Guide	8-0414	1		Injector Repair Kit (17, 77-80)	70-0165	

# GUN (16-0218) & WAND (16-0331) ASSEMBLY FOR CM-2703-0MHC



OMGEN177/041096/DCE

GUN & WAND ASSEMBLY (16-0218 & 16-0331)								
REF. #	DESCRIPTION	PART #	QTY.		REF. #	DESCRIPTION	PART #	QTY.
1	Screw	27-8850	7		29	Engagement Pin (See 16-0257)	N/A Sep.	1
2	Plastic Housing (Left side)	16-0253	1		30	Back-up Ring (See 16-0257)	N/A Sep.	1
3	Housing-Brass	16-0251	1		31	O-ring (See 16-0257)	N/A Sep.	1
4	Pipe	16-0252	1		32	O-ring	25-0318	1
5	Coupler	16-0255	1		33	Nipple	16-0222	1
6	Trigger Safety Lock	16-0256	1		34	Pipe	16-0224	1
7	Trigger	16-0254	1		35	Wand Protector	16-0293	1
8	Trigger Pin	16-0245	1		36	Nozzle Holder (See 18-0306)	N/A Sep.	1
9	Trigger Spring	49-0100	1		37	Back-up Ring (See 18-0306)	N/A Sep.	1
10	Plastic Housing with Warning (Right Side)	16-0243	1		38	O-ring (See 18-0306)	N/A Sep.	1
11	Pin	16-0250	1		39	Pin (See 18-0306)	N/A Sep.	1
12	Bushing	16-0232	1		40	Slide Adapter (See 18-0306)	N/A Sep.	1
13	Plug (See Kit 70-0060)	N/A Sep.	1		41	O-ring (See 18-0306)	N/A Sep.	1
14	O-ring (See Kit 70-0060)	N/A Sep.	1		42	Seal (See 18-0306)	N/A Sep.	1
15	Spring (See Kit 70-0060)	N/A Sep.	1		43	Nozzle Orifice 1.10mm	18-0307	1
16	Ball (See Kit 70-0060)	N/A Sep.	1		44	Variable Nozzle Body (See 18-0306)	N/A Sep.	1
17	O-ring (See Kit 70-0060)	N/A Sep.	1		45	O-ring (See 18-0306)	N/A Sep.	2
18	Seat (See Kit 70-0060)	N/A Sep.	1		46	Spring (See 18-0306)	N/A Sep.	1
19	Pin (See Kit 70-0060)	N/A Sep.	1		47	Pin (See 18-0306)	N/A Sep.	1
20	Washer (See Kit 70-0060)	N/A Sep.	1		48	Angle Regulator (See 18-0306)	N/A Sep.	1
21	O-ring (See Kit 70-0060)	N/A Sep.	1		49	Nozzle Cover (See 18-0306)	N/A Sep.	1
22	Back-up Ring (See Kit 70-0060)	N/A Sep.	1		50	Pin (See 18-0306) (White)	N/A Sep.	1
23	Gun/Wand Connector	16-0182	2			Gun w/Screw Lance (Includes items 1-31)	16-0218	1
24	Pipe	16-0224	1			Gun Repair Kit (Includes items 13-22)	70-0060	1
25	Wand Protector	16-0293	1			Gun/Wand Connector Assy. (Includes 27-31)	16-0257	1
26	Plastic Protector	16-0226	2			Variable Nozzle Assembly (Includes 32-50)	16-0331	1
27	Snap Ring (See 16-0257)	N/A Sep.	1			Adjustable Nozzle Assy. (Includes 36-50)	18-0306	1
28	Hand Wheel (See 16-0257)	N/A Sep.	1			Must order 16-0218 & 16-0331 for complete Gun & Wand Assembly		

