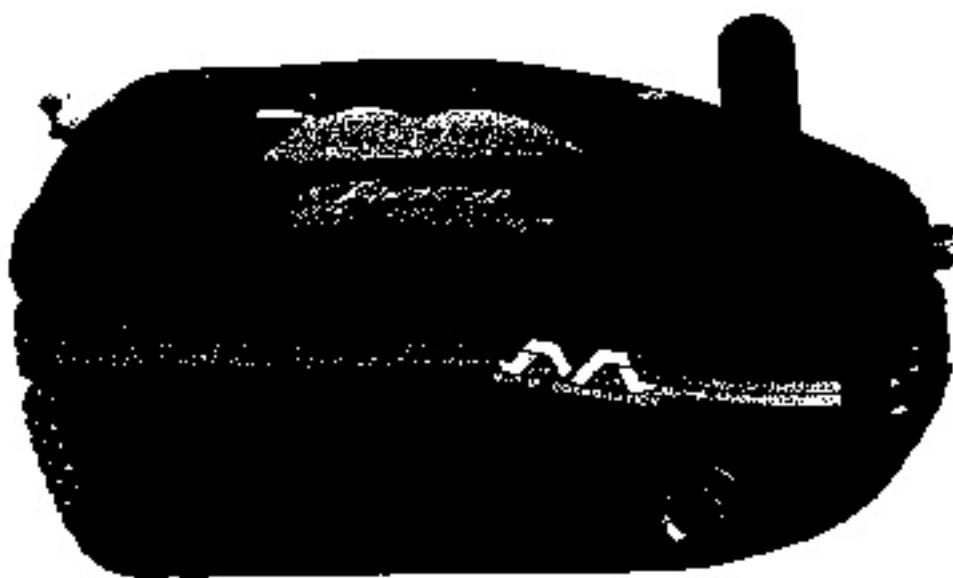




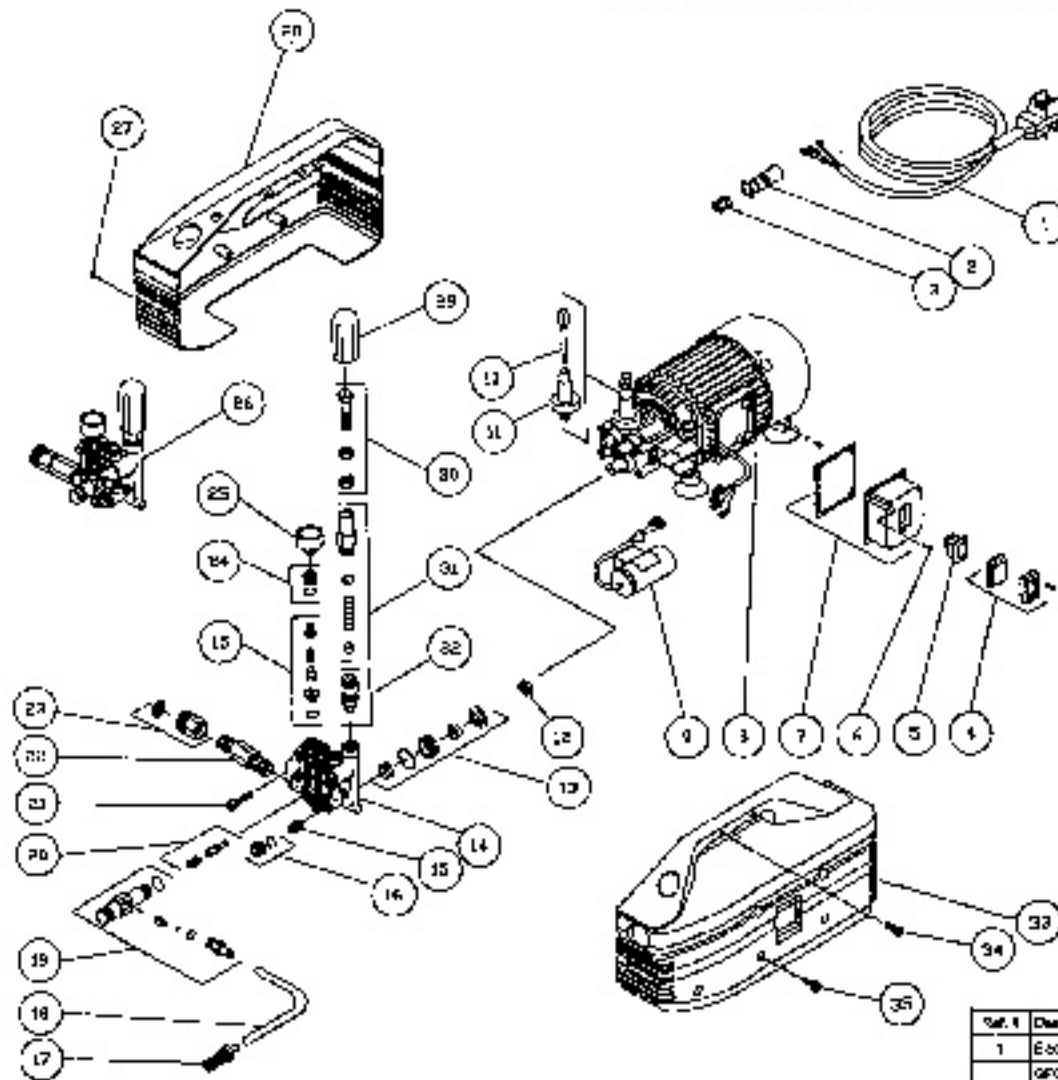
Mi-T-M[®] CORPORATION

8650 Enterprise Drive, Peosta, IA 52068
319-556-7484 / Fax 319-556-1235



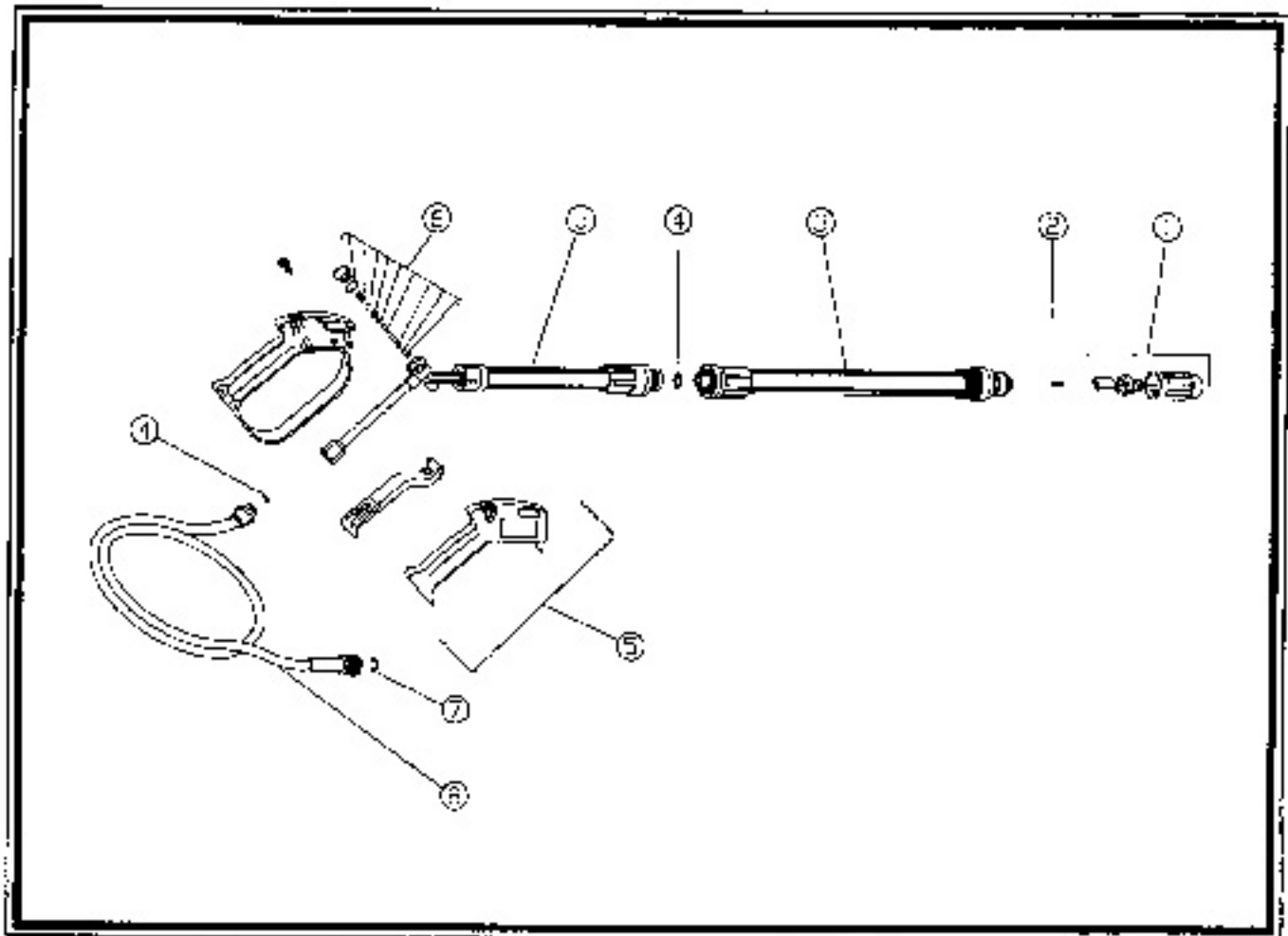
**CM-1200
PARTS LISTING**

CM-1200 FRAME ASSEMBLY PARTS LISTING



Qty.	Description	Part #	Ill.
1	Electric Load Switch	32-0070	1
	GFCI Only	32-0084	1
2	Con' Bushing	9-0006	1
3	Pack Kit	32-0180	1
4	Switch Lever Kit	70-0067	1
5	Motor On/Off Switch	27-1184	1
6	Screw	27-0527	4
7	Junction Box Kit	70-0070	1
8	Motor Pump Assembly	48-0545	1
9	Capacitor	48-0545	1
10	Di. Flywheel	48-0448	1
11	Di. Fill Tube	48-0447	1
12	Di. Seal Kit	70-0057	1
13	Packing Kit	70-0057	1
14	Vent Kit	48-0444	1
15	Valve Kit	70-0059	1
16	Plug & O-ring	48-0542	1
17	Delayer Control	19-0004	2
18	Delayer Head	15-0110	2
19	Delayer Injection Kit	70-0058	1
20	Unloader Check Valve Kit	70-0068	1
21	Screw	27-0528	4
22	No. Valve Adjuster	48-0488	1
23	Base Plate Connector	23-0218	1
24	Plug w/ Gauge Port	48-0548	1
25	Pressure Gauge	23-0157	1
26	Variable Assembly Complete	48-0514	1
27	Panel	27-0523	1
28	Counter Side	27-0077	1
29	Unloader Adjustment Knob	7-0051	1
30	Unloader Adjustment Pin Kit	70-0249	1
31	Unloader Spring Retainer Kit	70-0070	1
32	Unloader Valve Kit	70-0051	1
33	Cover Right Side	27-0525	1
34	Cover	27-0522	2
35	Screw	27-0525	6

CM-1200 GUN ASSEMBLY EXPLODED VIEW



CM-1200 GUN ASSEMBLY

Ref. #	Description	Part #	Qty.
1	Angle Regulator Kit	70-0058	1
2	Pressure Nozzle	18-0241	1
3	Lance Assy. Complete (Inc. 1, 2 & 4)	16-0180	1
4	O-ring	25-0259	2
5	Gun Assy. Complete (Includes 6)	16-0166	1
6	Gun Repair Kit	70-0067	1
7	O-ring	25-0258	1
8	Hose Assy. Complete (Inc. 4 & 7)	15-0117	1