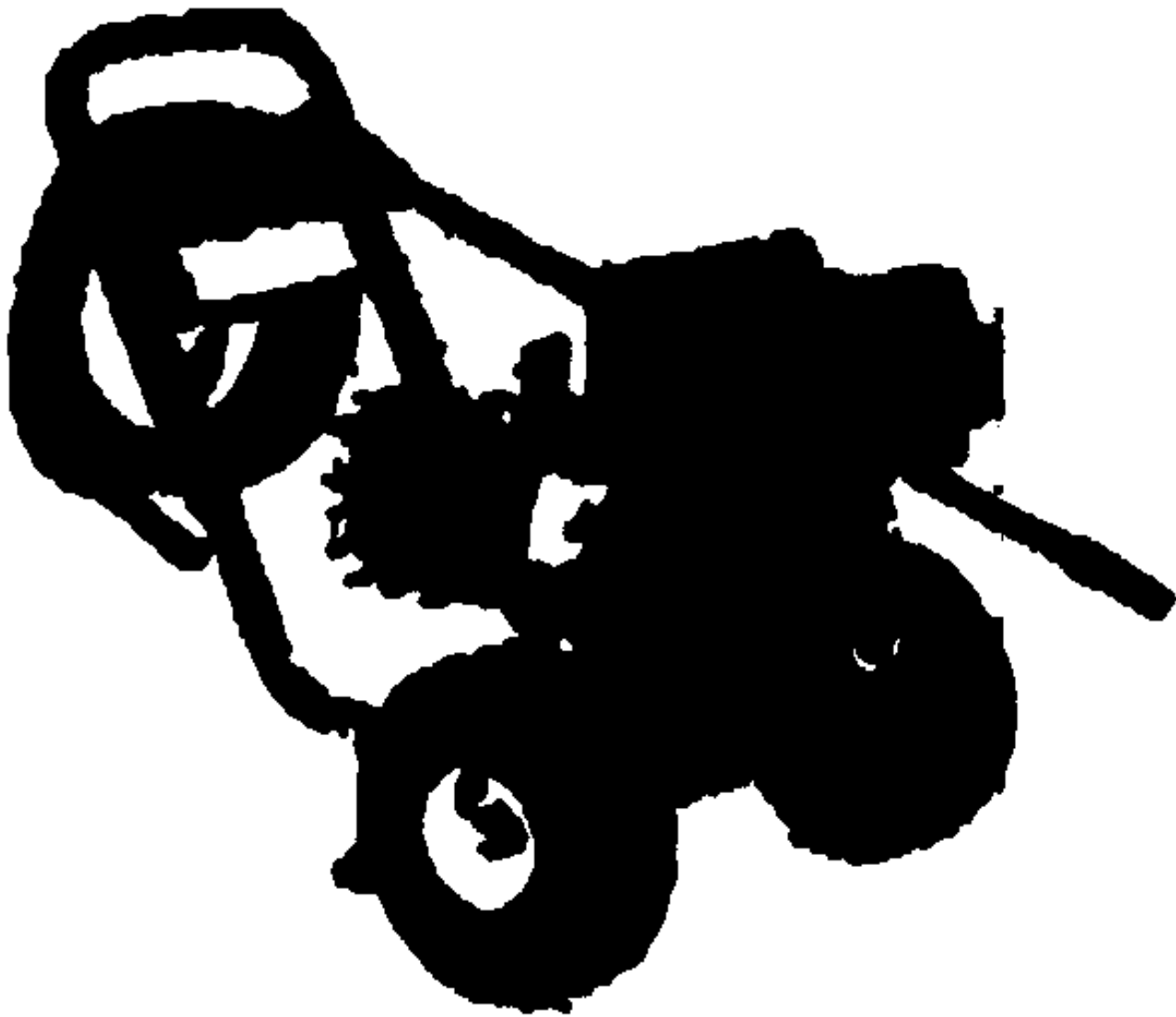


# Parts Manual

Mfg. No: 9761-0  
6,000 CP Pressure Washer

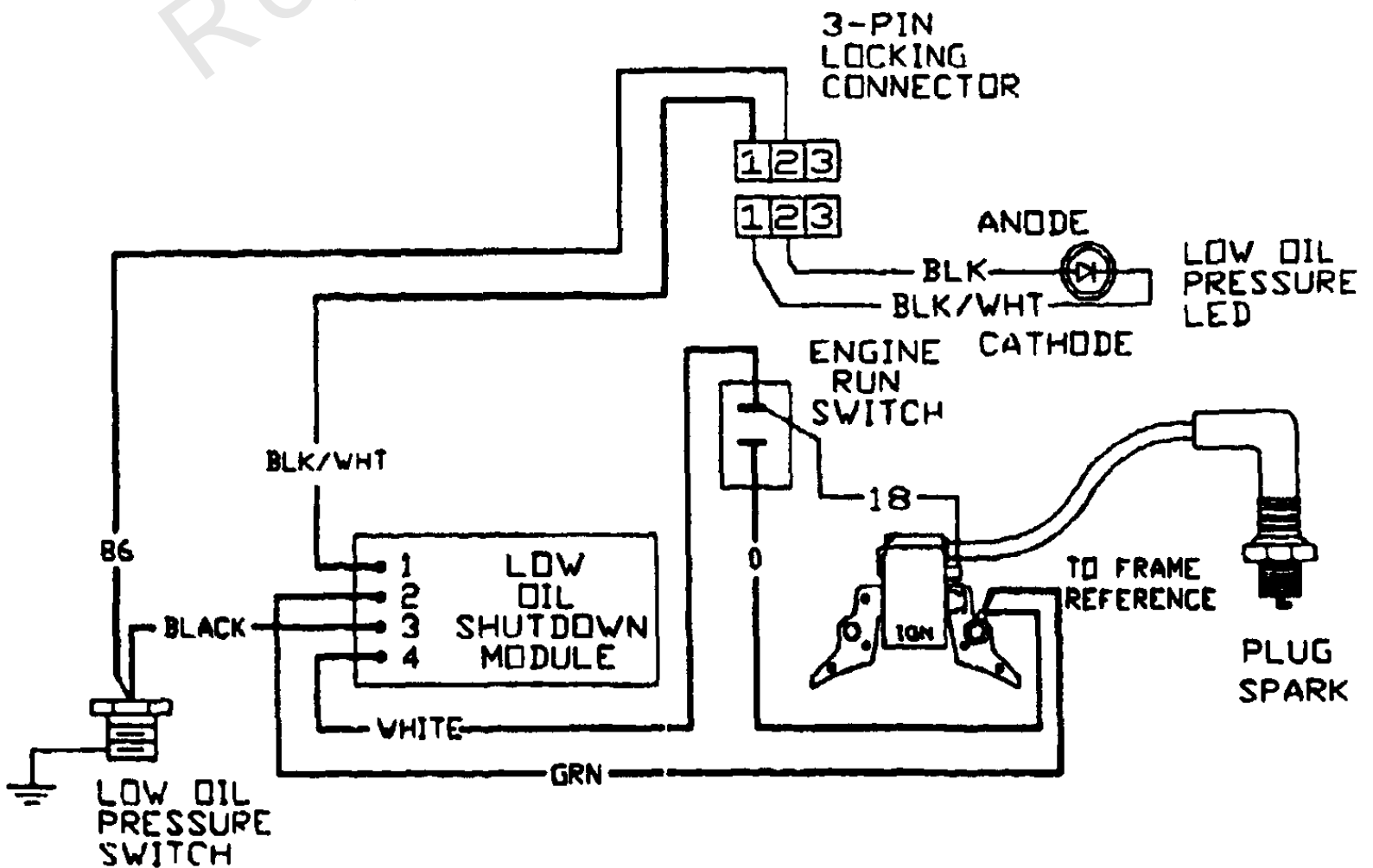
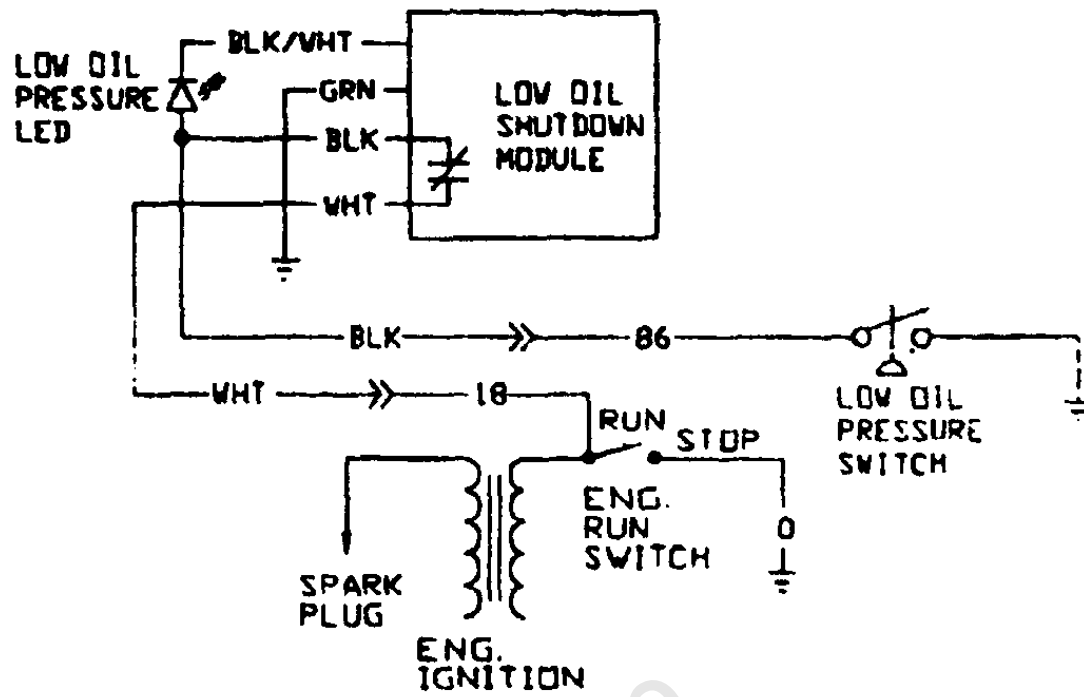




---

<b>Model Components</b>	<b>Page</b>
Electrical Data No. 87734.....	4
GN-160 Engine & Crankcase Assembly With Gear No. 89365.....	6
GN-160 Engine 6 HS, Straight Shaft Long Block No. 89366.....	10
Pressure Washer And Cradle No. 91855.....	14
Torque Specification Chart.....	18

Not For  
Reproduction



**Electrical Data No. 87734**

---

REF NO	PART NO	QTY	DESCRIPTION
--------	---------	-----	-------------

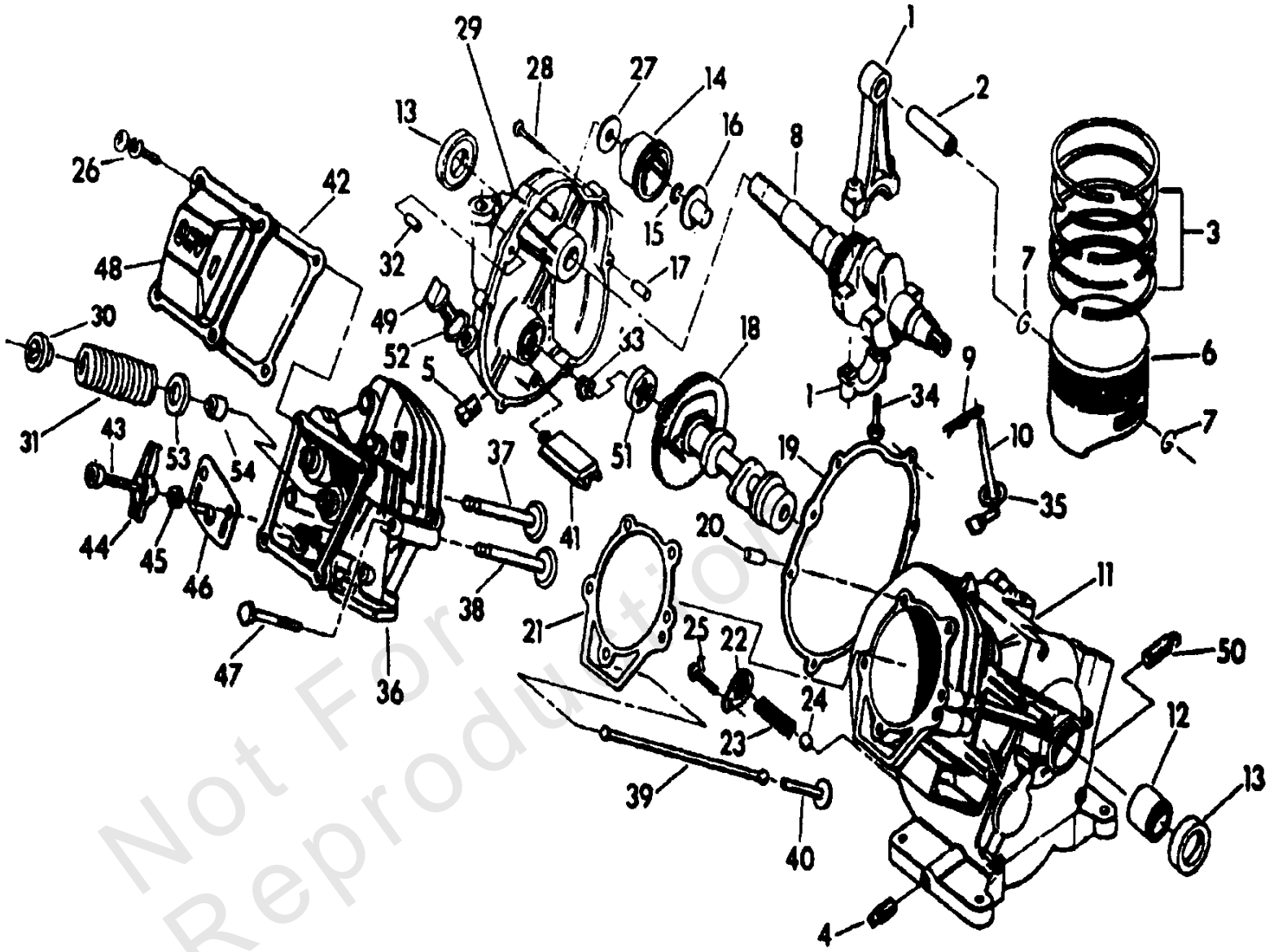
---

Not For Reproduction

# GN-160 Engine & Crankcase Assembly With Gear No. 89365

Note: Unless noted otherwise, use the standard torque specifications

Mfg. No: 9761-0



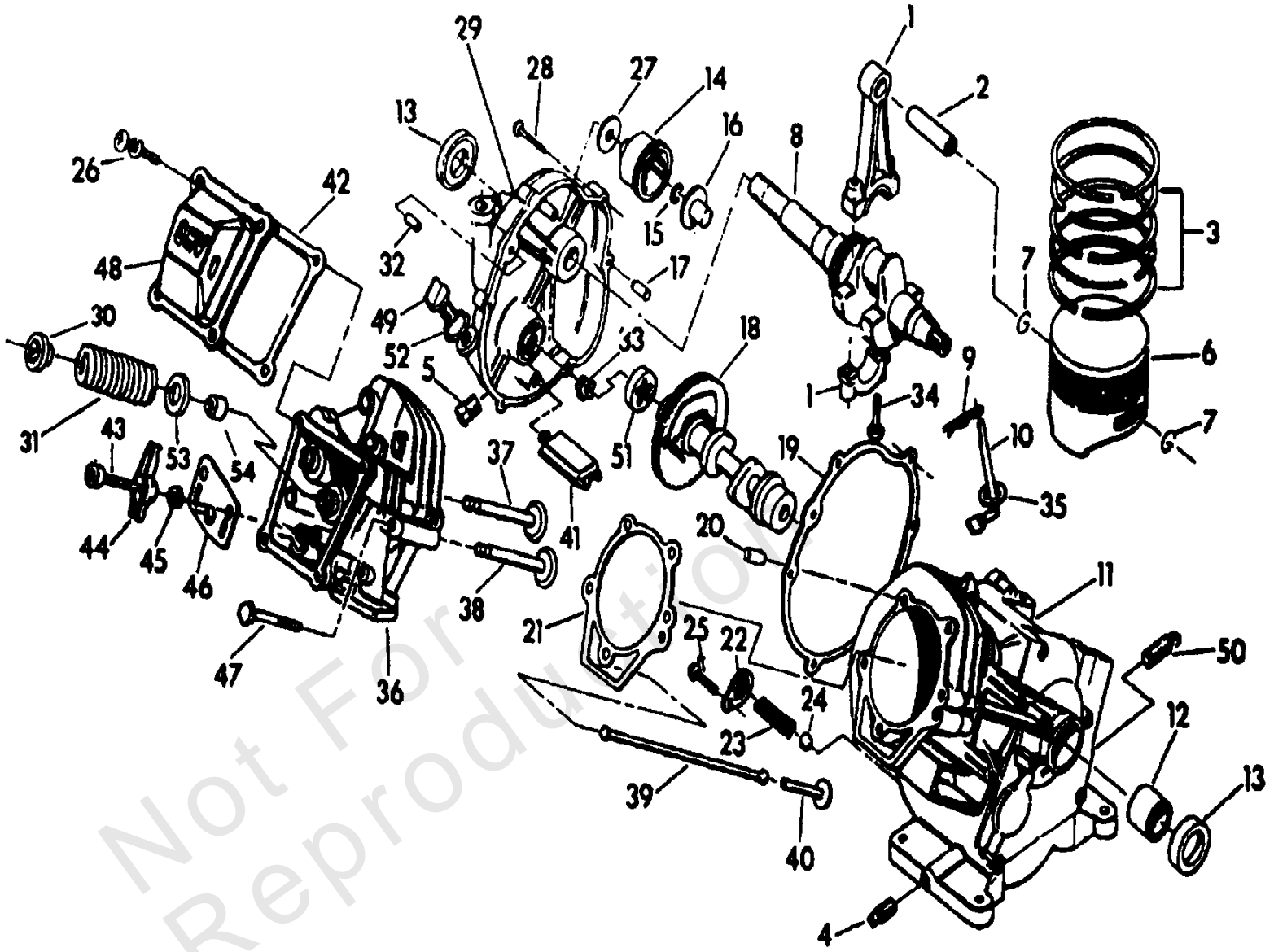
## GN-160 Engine & Crankcase Assembly With Gear No. 89365

REF NO	PART NO	QTY	DESCRIPTION
1	78621	1	Connecting Rod with Cap and Bolt
2	76389	1	Piston Pin
3	78660	1	Piston Ring Set
4	81694	1	1/4" Magnetic Pipe Plug
5	72683	1	1/8" NPTF Pipe Plug
6	76386	1	Piston
7	76390	2	Piston Pin Retainer
8	81678	1	Crankshaft Assembly with Gear
9	78658	1	Governor Arm "R" Pin
10	76354	1	Governor Arm
11	88276	1	Crankcase Sub-assembly
12	76349	1	Sleeve Bearing
13	81695	2	Crankshaft Seal
14	76359	1	Governor Gear Assembly
15	78645	1	Governor Retainer ("C" ring)
16	76365	1	Governor Spool
17	78699A	1	Sleeve Dowel (10" dia.)
18	83335	1	Camshaft Assembly
19	76350	1	Crankcase Gasket
20	78699B	2	Sleeve Dowel (12" dia.)
21	77165B	1	Cylinder Head Gasket
22	78691	1	Oil Pressure Sprg Retainer
23	76367	1	Oil Pressure Spring
24	76362	1	Pressure Relief Ball
25	78692	1	M5-0.8 x 8mm Screw
26	78606	4	M6-1.0 x 12mm Screw
27	76361	1	Thrust washer
28	78661	6	Flanged Hex Capscrew
29	88277B	1	Sub-assembly Gear Cover
30	77157	2	Valve Spring Retainer
31	76398	2	Valve Spring
32	78633	1	10mm dia. x 20mm Dowel Pin
33	83152	1	Inner Gerotor
34	76381	2	Connecting Rod
35	78659	1	Governor Arm Washer
36	78623	1	Cylinder Head with Valve Seats and Guides
37	73121	1	Exhaust Valve
38	73120	1	Intake Valve
39	76392	2	Push Rod
40	83235	2	Tappet
41	80336	1	Oil Pickup Assembly
42	77167	1	Rocker Cover Gasket
43	77161	2	Pivot Ball Stud
44	77160	2	Rocker Arm
45	76307	2	Jam Nut (rocker arm)
46	77162	1	Push Rod Guide Plate
47	77168	6	M8 x 50mm Head Bolt
48	81690	1	Rocker Cover Brthr. Assm.
49	76329	2	Oil Fill Plug
50	72657	1	1/4" NPT Pipe Plug
51	83153	1	Outer Gerotor - 6/5

# GN-160 Engine & Crankcase Assembly With Gear No. 89365

Note: Unless noted otherwise, use the standard torque specifications

Mfg. No: 9761-0





## ***GN-160 Engine & Crankcase Assembly With Gear No. 89365***

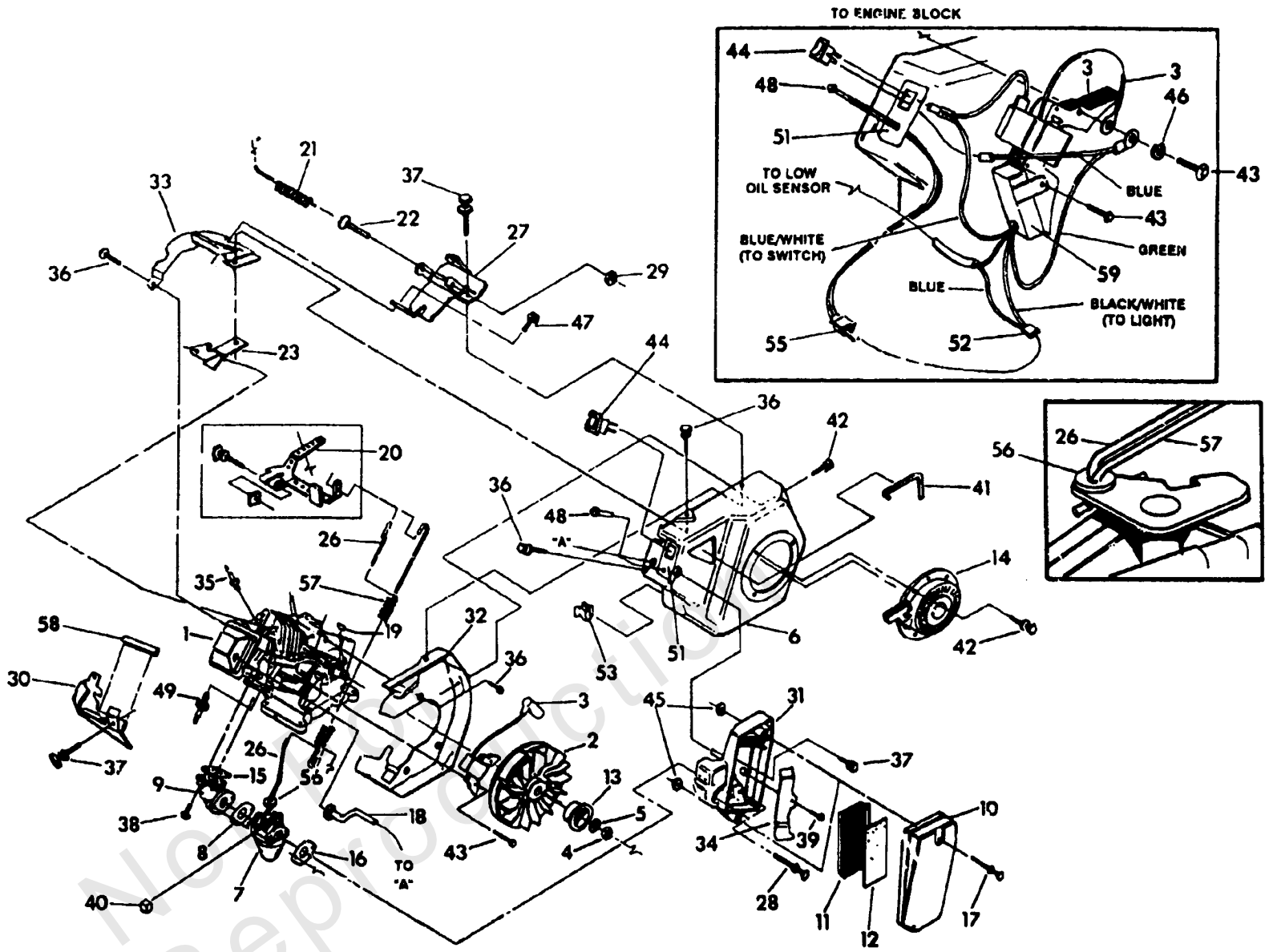
<b>REF NO</b>	<b>PART NO</b>	<b>QTY</b>	<b>DESCRIPTION</b>
52	86254	2	O-ring - 17.8mm I.D. x 2.4mm
53	84186	2	Valve Spring Washer
54	88155	1	Valve Stem Seal

Not For Reproduction

# GN-160 Engine 6 HS, Straight Shaft Long Block No. 89366

Note: Unless noted otherwise, use the standard torque specifications

Mfg. No: 9761-0



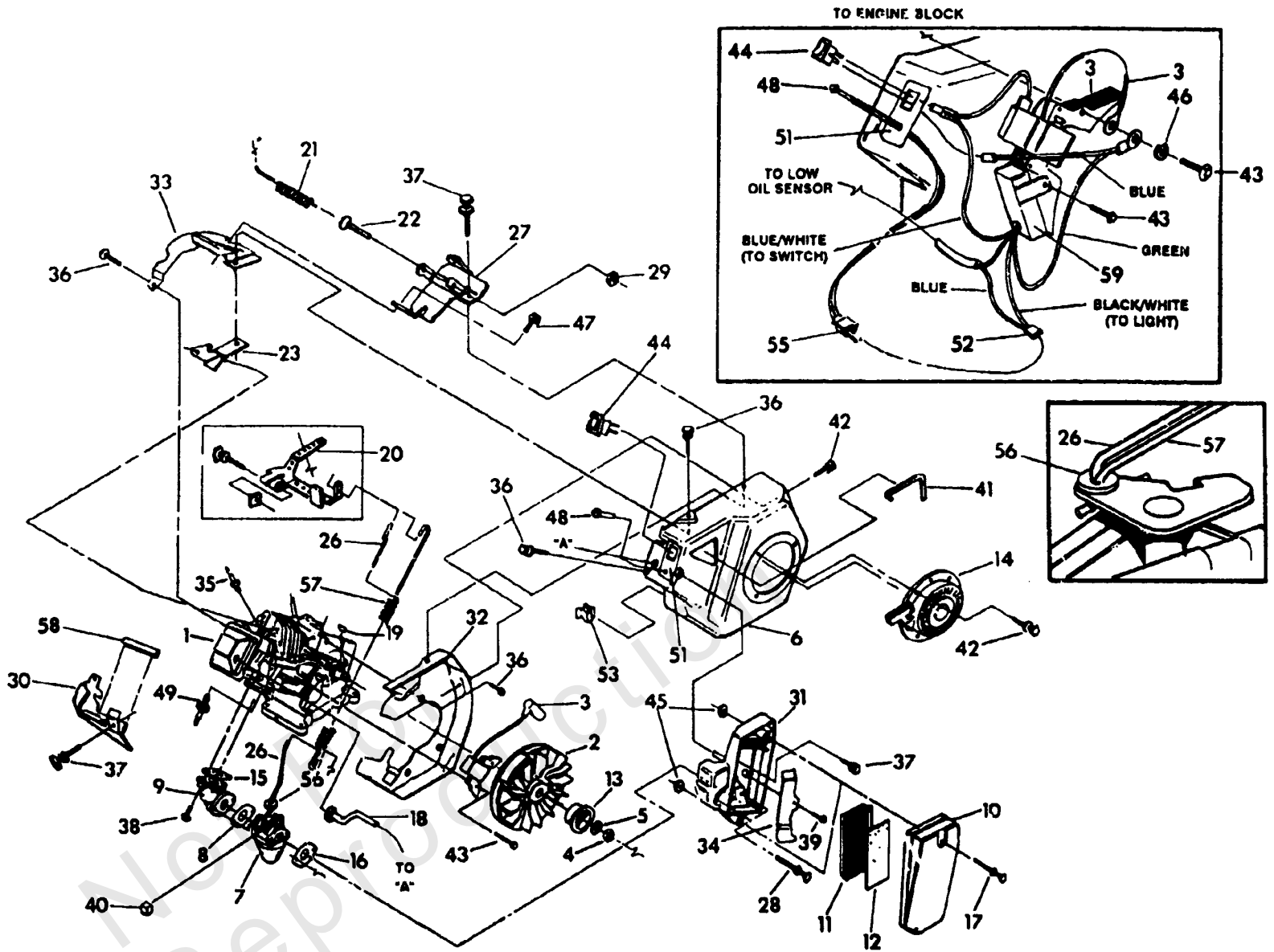
## GN-160 Engine 6 HS, Straight Shaft Long Block No. 89366

REF NO	PART NO	QTY	DESCRIPTION
1	86656H	1	6 HP HS, Straight Shaft Long Block
2	84426A	1	Flywheel Assembly
3	81675	1	Ignition Coil Assembly
4	81810	1	M16-1.5 Hex Nut
5	83312	1	Conical Washer
6	85118	1	Complete Blower Housing
7	83666	1	Carburetor HS Assembly
8	78631	1	Carburetor/Manifold Gasket
9	77197	1	HS Intake Manifold
10	78608	1	Air Cleaner Cover
11	84892	1	Air Filter Element
12	78602	1	Air Filter Pre-Cleaner
13	83015	1	Recoil Cup
14	81671	1	Recoil Assembly
15	82776	1	Manifold/Head Gasket
16	78632	1	Carburetor/Air Cleaner Gasket
17	78609	2	Air Cleaner Cover Bolt
18	82755	1	Breather Hose
19	82774	1	4 x 19 Woodruff Key
20	83779	1	Governor Lever
21	78604	1	Governor Spring
22	83502	1	Governor Adjusting Screw
23	83198	1	Air Deflector
24	80317	1	M6-1.0 Square Nut
25	63532	1	M6-1.0 x 30mm Flanged Hex Head Capscrew
26	86384	1	Governor Rod
27	83781	1	Governor Adjust Bracket
28	78643	2	Carburetor Mounting Bolt
29	83503	1	M5-0.8 Mounting Lock Nut
30	83197	1	Bottom Wrapper
31	78607	1	Air Cleaner Base
32	78651C	1	Blower Housing Back Plate
33	83196	1	Top Wrapper
34	80303	1	Breather Canal Cover
35	72347	1	Champion RC12YC Spark Plug
36	45756	6	M6-1.0 x 10mm Taptite Bolt
37	66476	4	M6-1.0 x 12mm Capscrew with lock washer
38	80316	2	M6-1.0 x 30mm Capscrew with lock washer
39	59635	1	No. 8 x 3/8" Plastite Screw
40	83504	1	Choke Lever Knob
41	84867	1	Air Cleaner/Blower Housing Seal
42	81668	5	M6-1.0 x 10mm Capscrew With lock washer
43	82981	2	M6-1.0 x 30mm Taptite Bolt
44	78653	1	Shut-off Switch
45	49813	2	M6-1.0 Hex Nut
46	22097	1	M6 Lock Washer
47	83512	1	M8 x 1 8mm Taptite Bolt
48	86753	1	Low Oil Indicator LED Assembly
49	60108	1	8-12 psi Oil Pressure Switch
50	86957	1	Low ,Shutdown Module
51	84195	1	LOS Engine Decal

# GN-160 Engine 6 HS, Straight Shaft Long Block No. 89366

Note: Unless noted otherwise, use the standard torque specifications

Mfg. No: 9761-0



***GN-160 Engine 6 HS, Straight Shaft Long Block No. 89366***

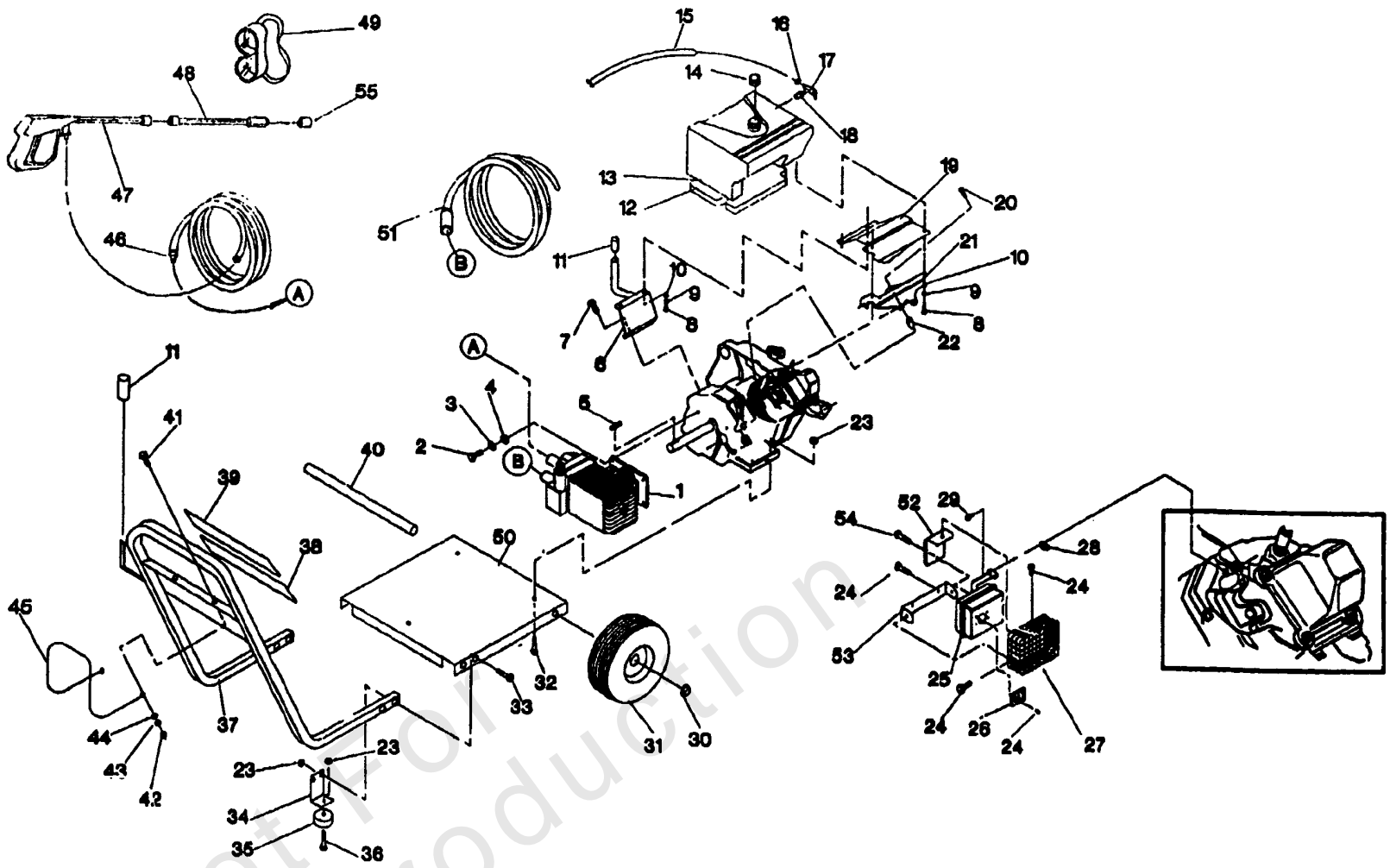
REF NO	PART NO	QTY	DESCRIPTION
52	84353	1	3-pin Female Housing
53	84274	1	Tinnerman Cable Clamp
55	84329	1	3-pin Male Housing
56	85953	1	Carburetor Wear Washer
57	86037	1	Anti-lash Extension Spring
58	86331	1	Black Rubber Trim
59	86957	1	Low Oil Shutdown Module

Not For Reproduction

# Pressure Washer And Cradle No. 91855

Note: Unless noted otherwise, use the standard torque specifications

Mfg. No: 9761-0



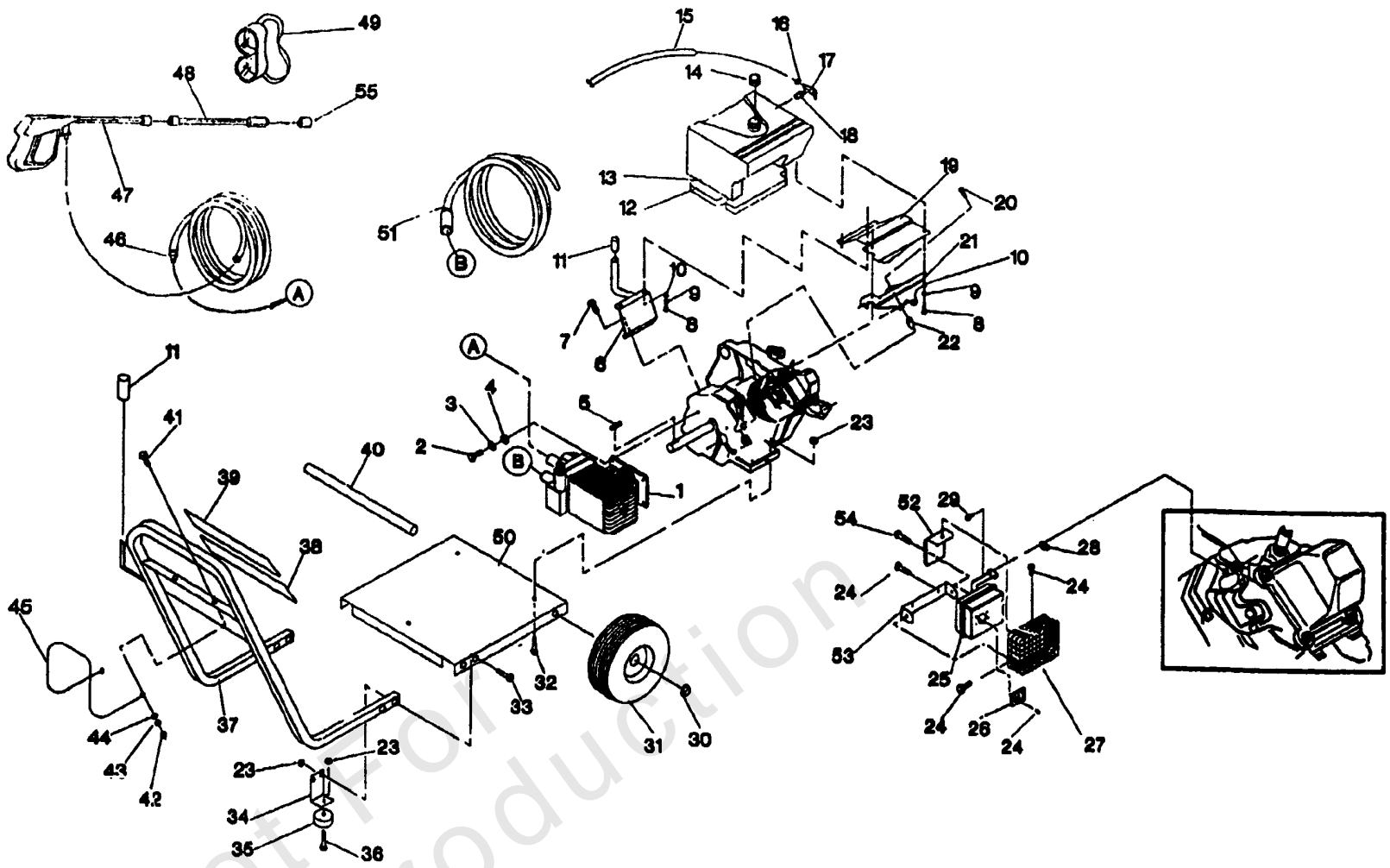
## Pressure Washer And Cradle No. 91855

REF NO	PART NO	QTY	DESCRIPTION
1	92293	1	Pump - 3 GPM at 2000 PSI
2	22147	4	5/16"-24 x 1" Hex Head Capscrew
3	22129	4	5/16" Lock Washer
4	-----	4	WASHER, Flat, 5/16
5	89241	1	3/16" x 1/4" Key
6	92416	1	Fuel Tank Bracket
7	83512	9	M8 x 15mm Taptite Screw
8	26983	4	1/4"-20 x 3/4" Hex Head Capscrew
9	22097	4	1/4" Lock Washer
10	-----	4	1/4" Flat Washer
11	92528	2	1/4" x 1" Vinyl Cap
12	90562	1	Fuel Tank Insulation
13	89620	1	4 Liter Fuel Tank
14	90878	1	Fuel Tank Cap
15	82580	1	3/16" I.D. x 11" Fuel Line
16	48031G	2	Hose Clamp
17	80270	1	Fuel Shut-off Valve
18	78299	1	Fuel Valve Bushing
19	89896	1	Fuel Tank Shield
20	91225	1	M8 x 35mm Screw
21	90880	1	Fuel Tank Bracket
22	91224	1	3/8" I.D. Spacer (20mm long)
23	52858	10	M8 Hex Locking Nut
24	90299	9	MS x 10mm Extrudite Screw
25	88683	1	Muffler Assembly
26	83083	1	Spark Arrestor Screen
27	89712	1	Muffler Guard
28	80314	1	Exhaust Gasket
29	40976	2	MS x 20mm Socket Head Capscrew
30	75402	2	1/2" I.D. Push Nut
31	88521	2	10" dia. Wheel
32	39414	4	M8 x 35mm Hex Head Capscrew
33	57821	4	M8 x 40mm Hex Head Capscrew
34	92339	2	Support Leg
35	87841	2	Vibration Mount
36	39253	2	M8 x 20mm Hex Head Capscrew
37	92368	1	Guide Handle
38	87838	1	Decal - Starting Instructions
39	92415	1	Decal - 6000CP
40	92299	1	Wheel Axle
41	52618	2	M6 x 12mm Hex Head Capscrew
42	51716	2	MS Hex Nut
43	49226	2	MS Lock Washer
44	51713	2	MS Flat Washer
45	87816	1	Hose Support
46	91830	1	High Pressure Hose
47	91028	1	Spray Gun
48	91031	1	Wand
49	87815	2	Safety Goggles
50	92297	1	Mounting Base
51	92550	1	Plastic Chemical Injector Hose and Filter

# Pressure Washer And Cradle No. 91855

Note: Unless noted otherwise, use the standard torque specifications

Mfg. No: 9761-0





## ***Pressure Washer And Cradle No. 91855***

<b>REF NO</b>	<b>PART NO</b>	<b>QTY</b>	<b>DESCRIPTION</b>
52	92535	1	Muffler Support Bracket
53	90300	1	Muffler Support Bracket
54	56893	2	Screw
55	92661	1	Replacement Nozzle -(NOTE: Part number for Item 55 Indicates replacement part only. The nozzle for your pressure washer should come attached to wand)

Not For Reproduction

# Hardware Identification & Torque Specifications

Torque Specification Chart								
FOR STANDARD METRIC MACHINE HARDWARE (Tolerance ± 20%)								
Property Class	5.6		8.8		10.9		12.9	
	Class 5.6		Class 8.8		Class 10.9		Class 12.9	
Size Of Hardware	in/lbs	Nm.	in/lbs	Nm.	in/lbs	Nm.	in/lbs	Nm.
	ft/lbs		ft/lbs		ft/lbs		ft/lbs	
M3	5.88	.56	13.44	1.28	19.2	1.80	22.92	2.15
M4	13.44	1.28	30.72	2.90	43.44	4.10	52.56	4.95
M5	26.4	2.50	60.96	5.75	5.97	8.10	7.15	9.7
M6	44.64	4.3	7.3	9.9	10.3	14	12.1	16.5
M7	5.2	7.1	12.1	16.5	16.9	23	19.9	27
M8	7.7	10.5	17.7	24	25	34	29	40
M10	15	21	35	48	50	67	59	81
M12	26	36	61	83	86.2	117	103	140
M14	42	58	101	132	136	185	162	220
M16	64	88	147	200	210	285	250	340
M18	89	121	202	275	287	390	346	470
M20	126	171	290	390	405	550	486	660
M22	169	230	390	530	559	745	656	890
M24	217	295	497	375	708	960	840	1140
M27	320	435	733	995	1032	1400	1239	1680
M30	435	590	995	1350	1401	1900	1681	2280
M33	590	800	1349	1830	1902	2580	2278	3090
M36	759	1030	1740	2360	2441	3310	2935	3980
M39	988	1340	2249	3050	3163	4290	3798	5150

Torque Specification Chart						
FOR STANDARD MACHINE HARDWARE (Tolerance ± 20%)						
Hardware Grade	No Marks		SAE Grade 5		SAE Grade 8	
	SAE Grade 2		SAE Grade 5		SAE Grade 8	
Size Of Hardware	in/lbs	Nm.	in/lbs	Nm.	in/lbs	Nm.
	ft/lbs		ft/lbs		ft/lbs	
8-32	19	2.1	30	3.4	41	4.6
8-36	20	2.3	31	3.5	43	4.9
10-24	27	3.1	43	4.9	60	6.8
10-32	31	3.5	49	5.5	68	7.7
1/4-20	66	7.6	8	10.9	12	16.3
1/4-28	76	8.6	10	13.6	14	19.0
5/16-18	11	15.0	17	23.1	25	34.0
5/16-24	12	16.3	19	25.8	29	34.0
3/8-16	20	27.2	30	40.8	45	61.2
3/8-24	23	31.3	35	47.6	50	68.0
7/16-14	30	40.8	50	68.0	70	95.2
7/16-20	35	47.6	55	74.8	80	108.8
1/2-13	50	68.0	75	102.0	110	149.6
1/2-20	55	74.8	90	122.4	120	163.2
9/16-12	65	88.4	110	149.6	150	204.0
9/16-18	75	102.0	120	163.2	170	231.2
5/8-11	90	122.4	150	204.0	220	299.2
5/8-18	100	136	180	244.8	240	326.4
3/4-10	160	217.6	260	353.6	386	525.0
3/4-16	180	244.8	300	408.0	420	571.2
7/8-9	140	190.4	400	544.0	600	816.0
7/8-14	155	210.8	440	598.4	660	897.6
1-8	220	299.2	580	788.8	900	1,244.0
1-12	240	326.4	640	870.4	1,000	1,360.0

The guides and ruler furnished below are designed to help you select the appropriate hardware.



Nut, M8

Thread Diameter (mm)

Inside Diameter (in)      Threads per inch

Nut, 1/2-16



Screw, M8- 1.25 x 25

Thread Diameter (mm)      Distance between threads (mm)      Body Length (mm)

Body Diameter      Threads per inch      Body Length (in)

Screw, 1/2- 16 x 2



## Standard Hardware Sizing

When a washer or nut is identified as 1/2" (M8), this is the *Nominal size*, meaning the *inside diameter* is 1/2 inch (8mm metric thread diameter); if a second number is present it represents the *threads per inch* (distance between threads).

When bolt or capscrew is identified as 1/2 - 16 x 2" (M8 - 1.25 x 50), this means the *Nominal size*, or body diameter is 1/2 inch (8mm metric thread diameter), the second number, 16, represents the *threads per inch*, (*distance between threads*). The final number is the body length of the bolt or screw, 2 inches (50mm).

## NOTES

- These torque values are to be used for all hardware excluding: locknuts, self-tapping screws, thread forming screws, sheet metal screws and socket head setscrews.
- Recommended seating torque values for locknuts:
  - for prevailing torque locknuts - use 65% of grade 5 torques.
  - for flange whizlock nuts and screws - use 135% of grade 5 torques.
- Unless otherwise noted on assembly drawings, all torque values must meet this specification.

## Common Hardware Types

Hex Head Capscrew



Washer



Carriage Bolt



Hex Nut

## Wrench & Fastener Size Guide

1/4" Bolt or Nut Wrench—7/16"	5/16" Bolt or Nut Wrench—1/2"	3/8" Bolt or Nut Wrench—9/16"	7/16" Bolt or Nut Wrench (Bolt)—5/8" Wrench (Nut)—11/16"	1/2" Bolt or Nut Wrench—3/4"
M6 Bolt or Nut Wrench—10mm	M8 Bolt or Nut Wrench—13mm	M10 Bolt or Nut Wrench—17mm	M12 Bolt or Nut Wrench—19mm	M14 Bolt or Nut Wrench—22mm

