



Brushcutter

Model No. 51992—260000001 & Up

Parts Catalog

Ordering Replacement Parts

To order replacement parts, please supply: the part number, the quantity, and the description of each part.

Understanding Reference Numbers

Each identified part in an illustration has a reference number. The reference number for a part also appears in the list, along with other information about the part.

Understanding Figure Numbers

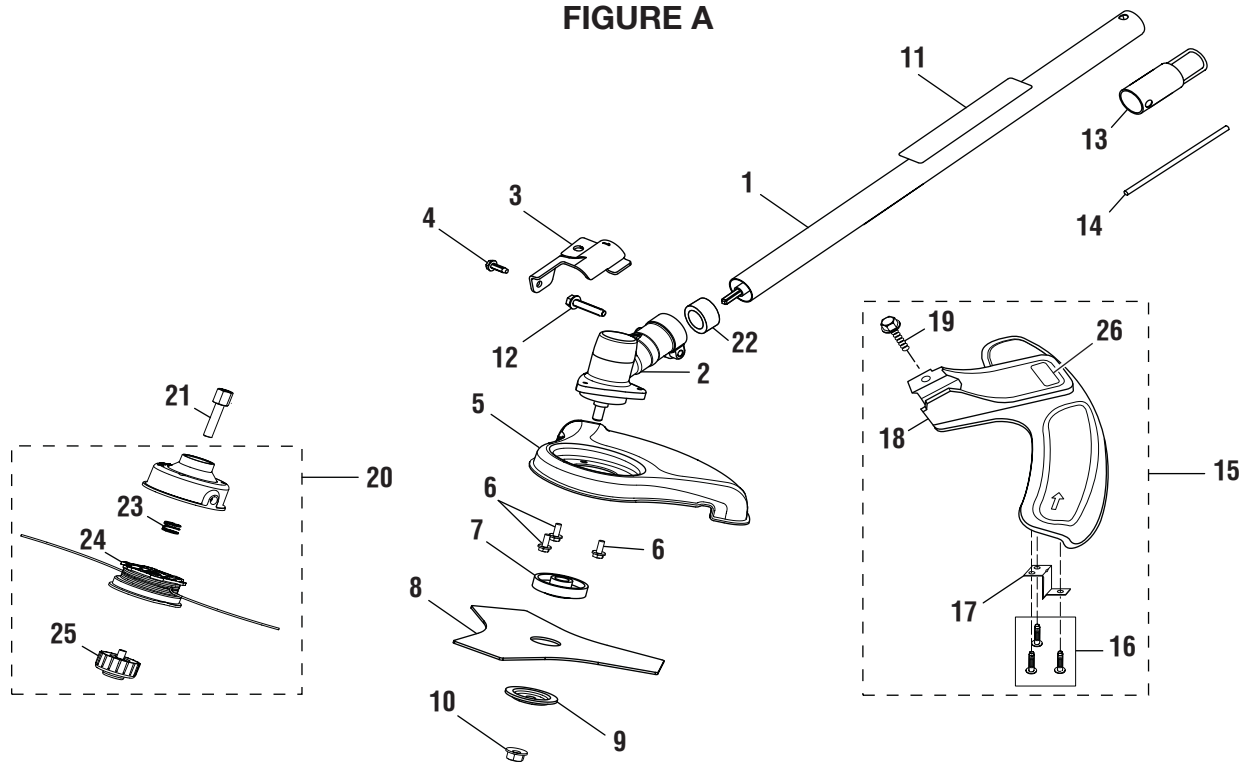
This catalog uses two special reference number formats, one to indicate parts in a service assembly and another to indicate a Figure Number.

Figure Numbers are represented as a Sub-Assembly which follow the exploded views.

Sub-Assemblies can be ordered as an Assembly or you may order any part individually.

TORO BRUSHCUTTER - MODEL NUMBER 51992

FIGURE A

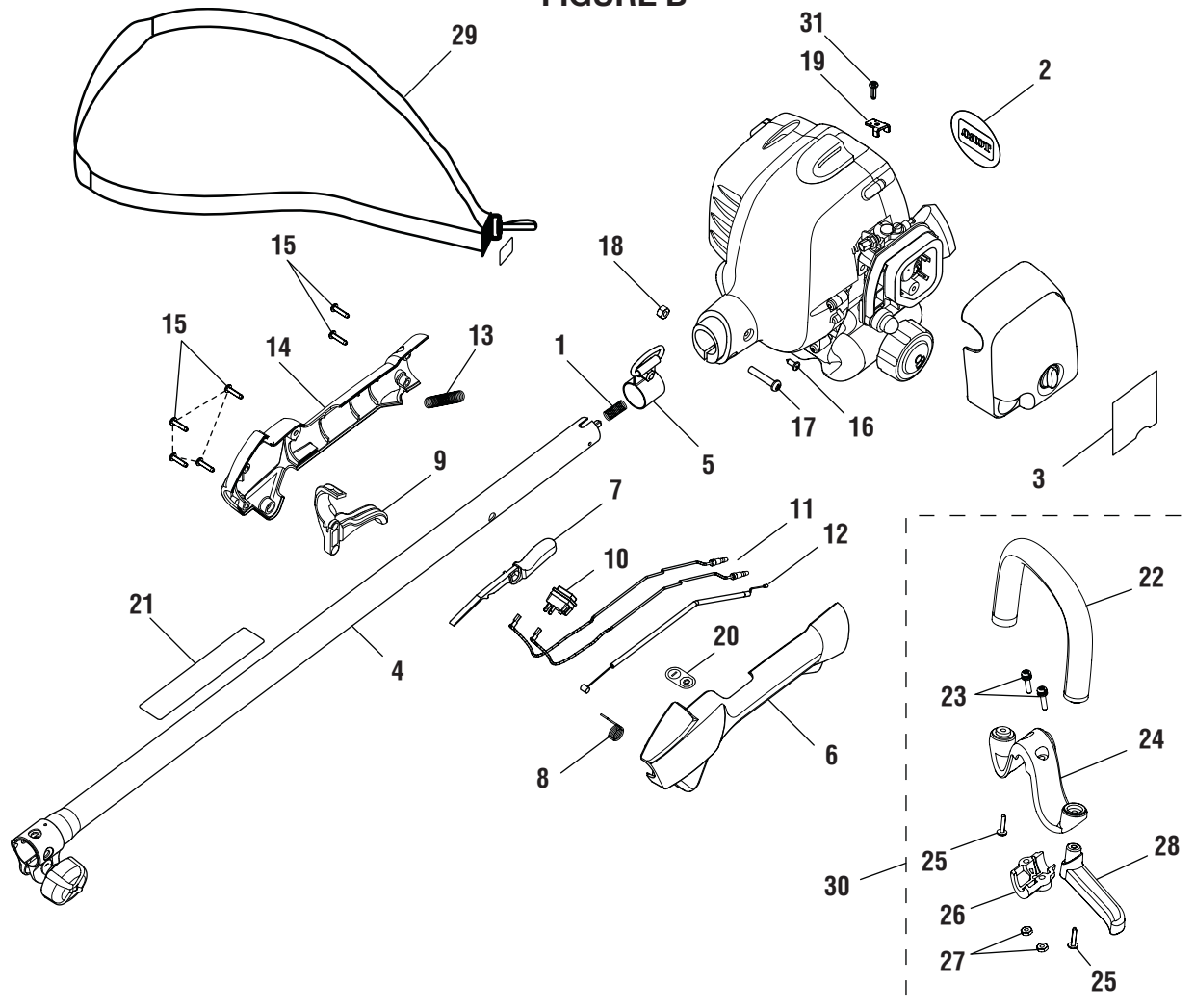


KEY NO.	PART NUMBER	DESCRIPTION	QTY.
1	000998233	STRAIGHT SHAFT ASSEMBLY (INC. KEY NO. 11).....	1
2	308053001	GEAR CASE ASSEMBLY.....	1
3	638125001	GRASS DEFLECTOR CLAMP.....	1
4	660736001	SCREW (#10-24 X 5/8 in. HEX WASHER HD.).....	1
5	638120001	BLADE GUARD.....	1
6	660737001	SCREW (#10-24 X 1/2 in. SLOTTED HEX HD.).....	3
7	678011001	FLANGED WASHER.....	1
8	638006004	BLADE (TRI-ARC™).....	1
9	638017001	CUPPED WASHER.....	1
10	678018001	BLADE NUT, LEFT-HANDED THREADS.....	1
11	940657004	WARNING LABEL.....	1
12	660642001	SCREW (1/4-20 X 1-1/4 in.).....	1
13	518019001	HANGER CAP.....	1
14	678020001	HEAD LOCKING TOOL.....	1
15	308467001	GRASS DEFLECTOR ASSEMBLY (INC. KEY NOS. 16-19, AND 26)	1
16	660669001	SCREW.....	3
17	638020002	LINE CUTTING BLADE.....	1
18	518126001	GRASS DEFLECTOR.....	1
19	660738002	SCREW (#1/4-20 X 1-1/4 in. HEX WASHER HD.).....	1
20	000998265	TRIMMER HEAD ASSEMBLY (.095) (INC. KEY NOS. 23-25).....	1
21	678019002	TRIMMER HEAD SHAFT ADAPTOR.....	1
22	518367001	SPACER.....	1
23	678022001	COMPRESSION SPRING.....	1
24	308044003	SPOOL WITH LINE (.095).....	1
25	308042003	RETAINING CAP, LEFT-HANDED THREAD.....	1
26	940627020	GRASS DEFLECTOR LABEL.....	1

To locate a source for replacement parts,
contact us toll free at 1-866-574-9242 (US) or 1-866-574-9243 (Canada).

TORO BRUSHCUTTER – MODEL NUMBER 51992

FIGURE B

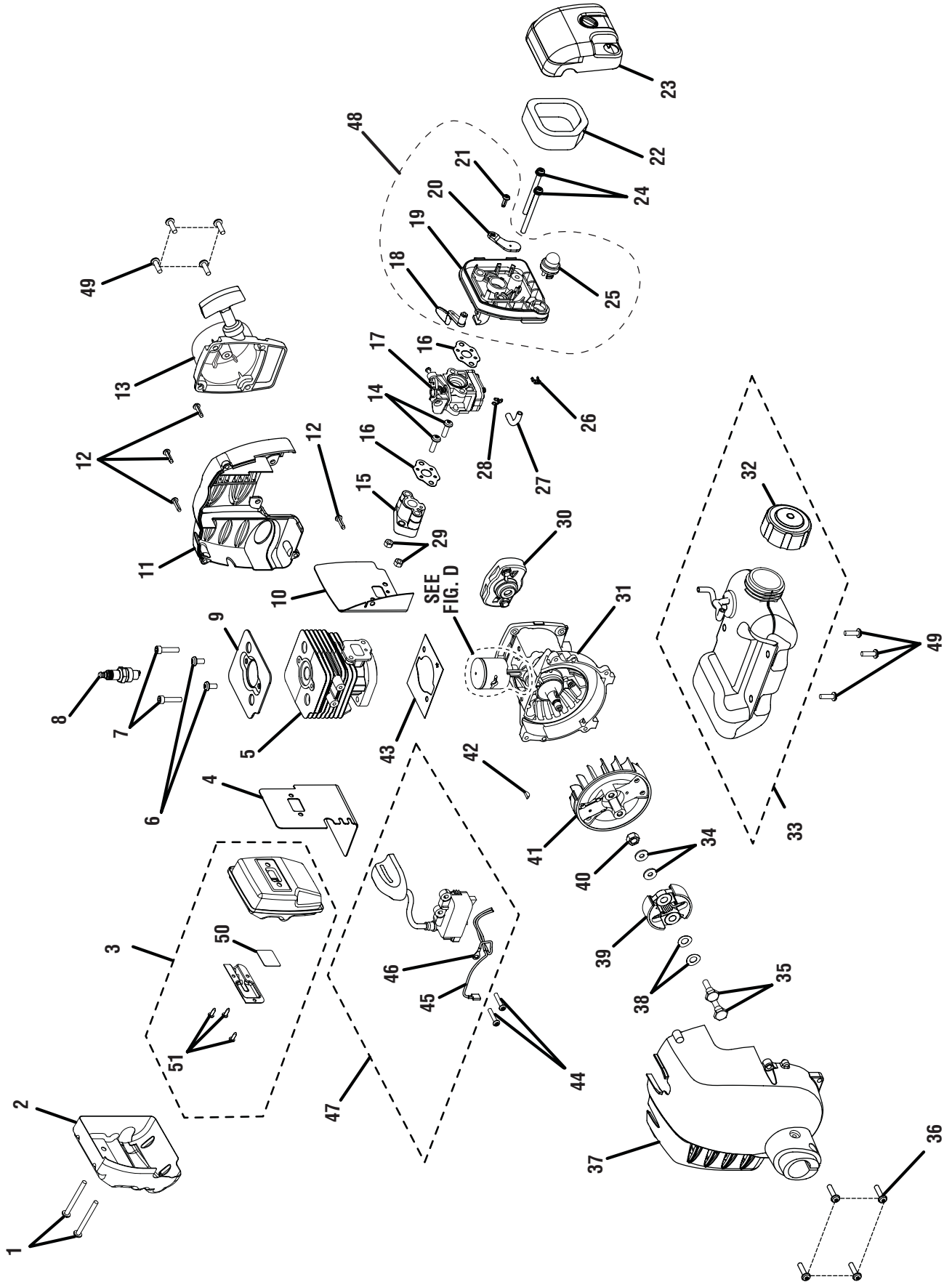


KEY PART NO. NUMBER	DESCRIPTION	QTY.
1 690140011	COMPRESSION SPRING.....	1
2 950060008	LOGO PLATE.....	1
3 940686004	LOWER START LABEL.....	1
4 000998235	UPPER SHAFT ASSEMBLY (INC. KEY NO. 21).....	1
5 308224001	HANGER BRACKET.....	1
6 518122001	REAR HANDLE SUPPORT.....	1
7 518125001	LOCK-OFF BUTTON.....	1
8 690694002	TRIGGER SPRING.....	1
9 518124001	TRIGGER.....	1
10 760394001	SWITCH WITH DUST SHIELD ..	1
11 770670001	LEAD.....	2
12 308225003	CABLE, THROTTLE.....	1
13 518210004	CORRUGATED TUBE.....	1
14 518123001	REAR HANDLE COVER.....	1
15 660563002	SCREW (M4 X 16 mm).....	7
16 660669001	SCREW (#8-16 X 1/2 in. TRI-LOBULAR).....	1

KEY PART NO. NUMBER	DESCRIPTION	QTY.
17 T660697001	SCREW (M6 X 1-30 mm).....	1
18 678029002	HEX NUT.....	1
19 638133001	THROTTLE CABLE CLAMP.....	1
20 940627017	ON/OFF LABEL.....	1
21 940657004	WARNING LABEL.....	1
22 000998217	ASSIST HANDLE W/GRIP.....	1
23 660653001	SCREW (#12-24 X 1 in.).....	2
24 518038001	M CLAMP.....	1
25 660637001	SLOTTED TORX SCREW.....	2
26 518020001	CLAMP.....	1
27 678106001	HEX NUT (12-24).....	2
28 518039001	BARRIER BAR.....	1
29 308047001	HARNES ASM. W/LABEL.....	1
30 308056002	ASSIST HANDLE W/BARRIER..	1
31 660734001	SCREW (M4 X 16 mm).....	1
983000854	OPERATOR'S MANUAL	
983000854R	REPAIR SHEET	

To locate a source for replacement parts,
contact us toll free at 1-866-574-9242 (US) or 1-866-574-9243 (Canada).

FIGURE C



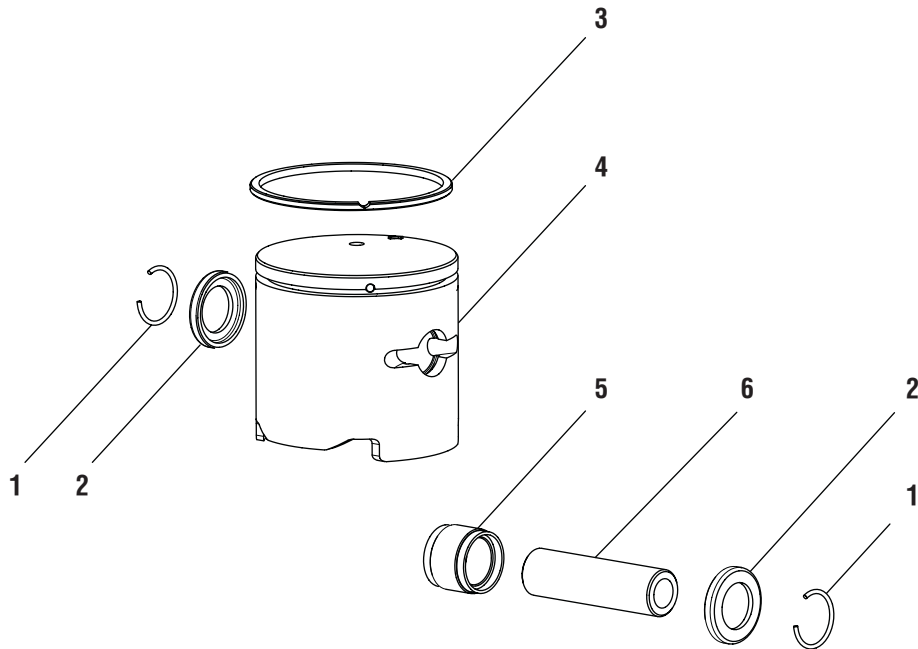
TORO BRUSHCUTTER – MODEL NUMBER 51992

FIGURE C - PARTS LIST

KEY PART NO. NUMBER	DESCRIPTION	QTY.	KEY PART NO. NUMBER	DESCRIPTION	QTY.		
1	660347001	SCREW (M5 X 50 mm TORX SLOTTED RECESSED PAN HD.) ...	2	28	690699001	HOSE CLIP	1
2	638027002	HEAT SHIELD.....	1	29	690840001	NUT (M5 x .8 mm).....	2
3	300748015	MUFFLER ASSEMBLY	1	30	308004001	PULLEY ASSEMBLY	1
4	630002006	MUFFLER GASKET.....	1	31	300749004	CRANKCASE ASSEMBLY.....	1
5	640570016	CYLINDER	1	32	300758006	FUEL CAP ASSEMBLY	1
6	660351002	SCREW (M5 X 10 in. TORX RECESSED PAN HD.)	2	33	300757002	FUEL TANK ASSEMBLY (INCLUDES KEY NO. 32)	1
7	660342001	SCREW (M5 X 22 mm SOCKET HD.).....	2	34	690695001	WASHER.....	2
8	870170001	SPARK PLUG.....	1	35	660353001	CLUTCH SCREW.....	2
9	630002021	CYLINDER PLATE.....	1	36	660344001	SCREW (M5 X 20 mm TORX SLOTTED RECESSED PAN HD.) ...	4
10	900711006	INSULATOR GASKET	1	37	300754010	FRONT HOUSING ASSEMBLY	1
11	590470001	ENGINE HOUSING, REAR.....	1	38	690696001	CURVED WASHER	2
12	660563001	SCREW (M4 X 16 mm TORX RECESSED PAN HD.).....	4	39	300756001	CLUTCH ASSEMBLY	1
13	308430001	STARTER RECOIL ASSEMBLY	1	40	690689001	ROTOR NUT	1
14	660344003	SCREW (M5 X 31 mm Torx SLOTTED RECESSED PAN HD.) ...	2	41	640574001	ROTOR.....	1
15	518329001	HEAT DAM INSULATOR	1	42	690688001	WOODRUFF KEY (10 mm X 3 mm).....	1
16	900711003	CARBURETOR GASKET.....	2	43	900709001	GASKET	1
17	308480001	CARBURETOR ASSEMBLY	1	44	660349001	SCREW (M4 X 22 mm TORX SLOTTED RECESSED PAN HD.) ...	2
18	590458001	CHOKE LEVER.....	1	45	290143001	LEAD ASSEMBLY, BLACK.....	1
19	518130001	CARBURETOR PLATE	1	46	290143002	LEAD ASSEMBLY, RED.....	1
20	590946001	CHOKE PLATE	1	47	290178004	COIL BOOT ASSEMBLY (INCLUDES KEY NOS. 45 & 46).....	1
21	660345001	SCREW (M4 X 12 mm SLOTTED RECESSED PAN HD.)	1	48	308478001	FILTER HOUSING ASSEMBLY	1
22	560873001	ELEMENT.....	1	49	660351001	SCREW (M5 X 16 MM TORX SLOTTED).....	7
23	308207004	COVER ASSEMBLY	1	50	638268001	SCREEN.....	1
24	660346001	SCREW (M5 X 60 mm, SLOTTED RECESSED PAN HD. MACHINE)...	2	51	660870001	SCREW (RECESSED PAN HD)	3
25	300780002	PRIMER ASSEMBLY	1	52	000998216	SPARK ARRESTOR KIT (NOT SHOWN INC. KEY NOS. 4, 50, AND 51).....	1
26	690700001	HOSE CLIP	1				
27	560880002	FUEL LINE.....	1				

To locate a source for replacement parts,
contact us toll free at 1-866-574-9242 (US) or 1-866-574-9243 (Canada).

FIGURE D



KEY NO.	PART NUMBER	DESCRIPTION	QTY.
1	690691001	WRIST PIN CLIP RING	2
2	690687001	WASHER	2
3	690161002	PISTON RING.....	1
4	640920002	PISTON.....	1
5	690686002	NEEDLE BEARING (ID 8 X 8.8).....	1
6	620301001	WRIST PIN.....	1

To locate a source for replacement parts,
 contact us toll free at 1-866-574-9242 (US) or 1-866-574-9243 (Canada).



OWT Industries, Inc.

P.O. Box 35
Highway 8
Pickens, SC 29671
USA

Customer Service Information

If your product requires service or maintenance,
contact your nearest authorized service dealer.

To locate your nearest authorized service dealer for this product,
contact us toll free at 1-866-574-9242 (US) or 1-866-574-9243 (Canada).