



18 in. Gas Trimmer - Straight Shaft

Model No. 51974—310000001 & Up

Parts Catalog

Ordering Replacement Parts

To order replacement parts, please supply: the part number, the quantity, and the description of each part.

Understanding Reference Numbers

Each identified part in an illustration has a reference number. The reference number for a part also appears in the list, along with other information about the part.

Understanding Figure Numbers

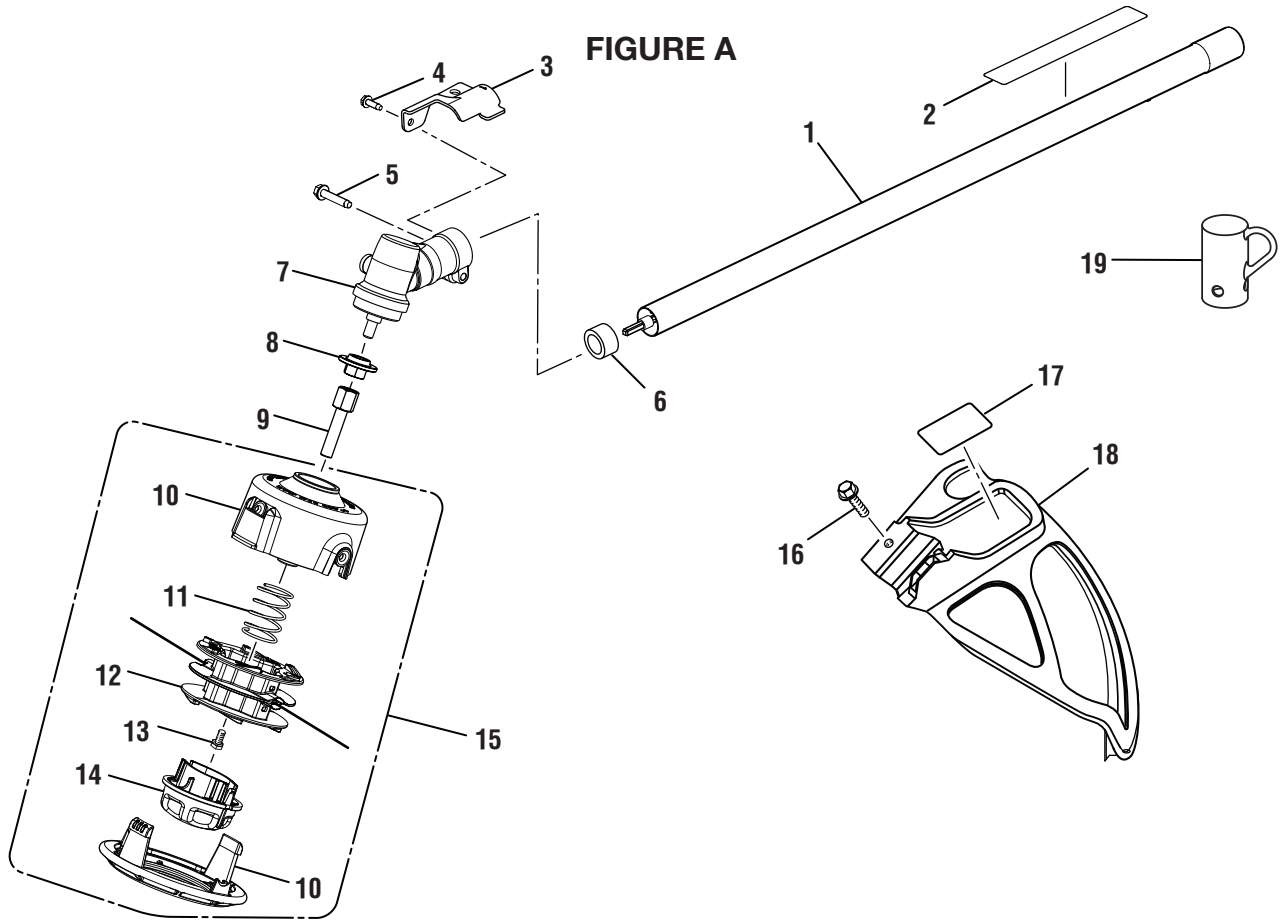
This catalog uses two special reference number formats, one to indicate parts in a service assembly and another to indicate a Figure Number.

Figure Numbers are represented as a Sub-Assembly which follow the exploded views.

Sub-Assemblies can be ordered as an Assembly or you may order any part individually.

TORO STRING TRIMMER – MODEL NUMBER 51974

FIGURE A

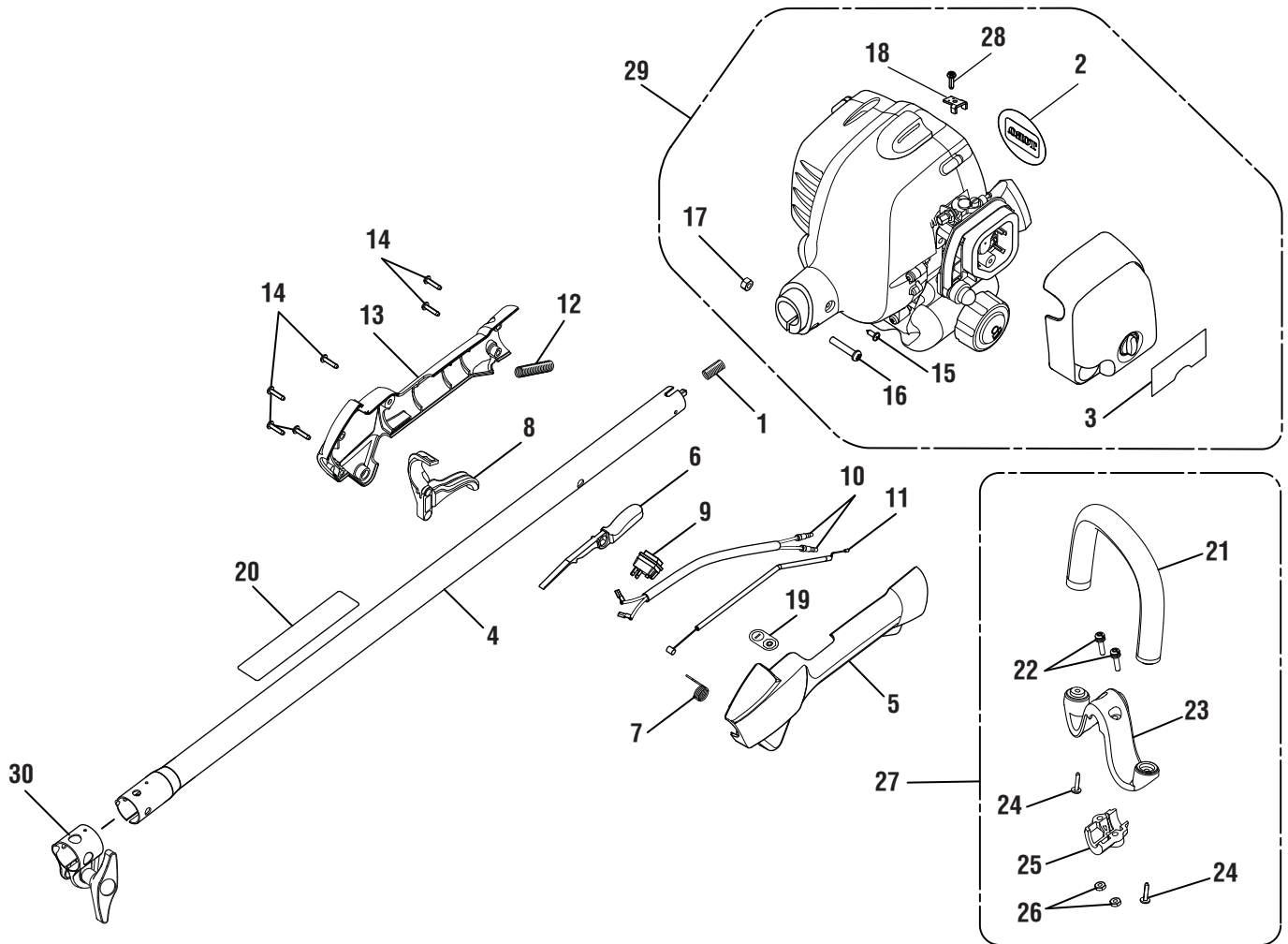


KEY PART NO. NUMBER	DESCRIPTION	QTY.
1 308035013	Straight Shaft Assembly.....	1
2 940230132	Warning Label.....	1
3 638125003	Grass Deflector Clamp.....	1
4 660736001	Screw (#10-24 x 5/8 in. Hex Washer Hd.).....	1
5 660642001	Screw (1/4-20 x 1-1/4 in.).....	1
6 518367001	Spacer.....	1
7 308210001	Gear Case Assembly.....	1
8 678011001	Flanged Washer.....	1
9 678019003	Trimmer Head Shaft Adaptor.....	1
10 308827003	Stringhead Housing.....	1
11 678749001	Compression Spring.....	1
12 308924002	Spool w/ Line (.095).....	1
13 660649001	Bolt (5/16-18 x 1/2 in., L.H.).....	1
14 518803003	Bump Knob.....	1
15 308923014	Trimmer Head Assembly (Inc. Key Nos. 10-14) (.095).....	1
16 660738002	Screw (#1/4-20 x 1-1/4 in. Hex Washer Hd.).....	1
17 940627020	Grass Deflector Label.....	1
18 308473001	Grass Deflector Assembly (Inc. Key No. 16).....	1
19 518019002	Hanger Cap.....	1

To locate a source for replacement parts, contact us toll free at 1-866-574-9242 (US) or 1-866-574-9243 (Canada).

TORO STRING TRIMMER – MODEL NUMBER 51974

FIGURE B

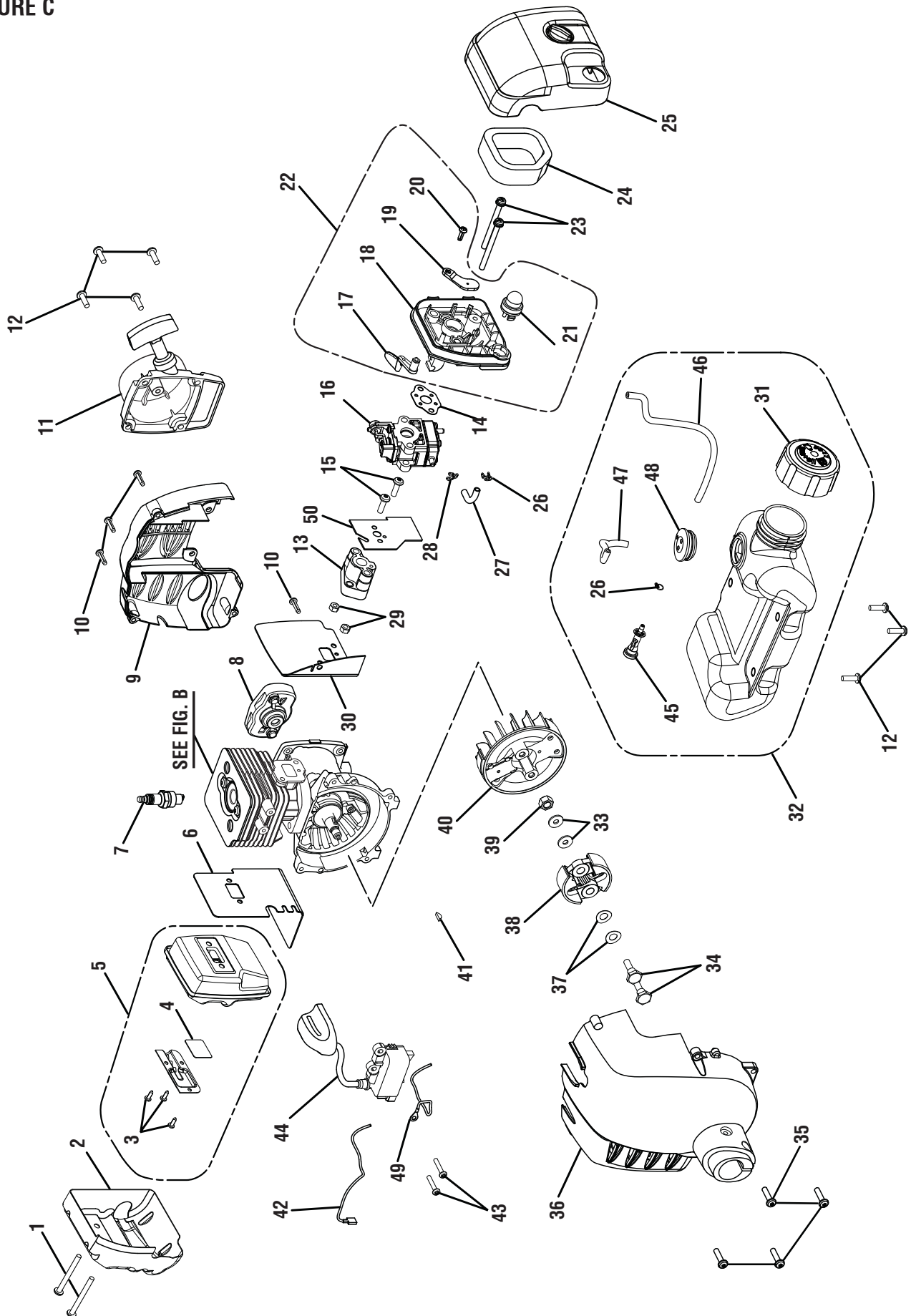


KEY PART NO. NUMBER	DESCRIPTION	QTY.
1	678906001 Compression Spring	1
2	940865001 Logo plate	1
3	940686064 Lower Start Label.....	1
4	308159015 Upper Shaft Assembly (Inc. Key Nos. 20 and 30).....	1
5	518122001 Rear Handle Support	1
6	518125001 Lock-off Button	1
7	690694002 Trigger Spring.....	1
8	518124001 Trigger	1
9	760394002 Switch w/ Dust Shield	1
10	308863029 Lead	1
11	308225003 Cable, Throttle.....	1
12	518210004 Corrugated Tube	1
13	518123001 Rear Handle Cover.....	1
14	660563002 Screw (M4 x 16 mm)	6
15	660669001 Screw (#8-16 x 1/2 in. Tri-Lobular)	1

KEY PART NO. NUMBER	DESCRIPTION	QTY.
16	T660697001 Screw (M6 x 1-30 mm).....	1
17	678029002 Hex Nut (M6.3 x 1)	1
18	638133001 Throttle Cable Clamp	1
19	940864001 On/Off Label.....	1
20	940657034 Warning Label	1
21	000998535 Front Handle w/Grip.....	1
22	660653001 Slotted Torx (#12-24 x 1 in.).....	2
23	518038001 M Clamp.....	1
24	660637002 Screw (10-14 x 1 in.)	2
25	518020001 Clamp.....	1
26	678106001 Hex Nut (12-24).....	2
27	308056003 Front Handle Assembly	1
28	660734001 Screw (M4 x 16 mm)	1
29	308466010 Powerhead Assembly	1
30	308045008 Boom Clamp	1
	987000974 Operator's Manual	

To locate a source for replacement parts, contact us toll free at 1-866-574-9242 (US) or 1-866-574-9243 (Canada).

FIGURE C



TORO STRING TRIMMER – MODEL NUMBER 51974

FIGURE C - PARTS LIST

KEY PART NO. NUMBER	DESCRIPTION	QTY.	KEY PART NO. NUMBER	DESCRIPTION	QTY.		
1	660347001	Screw (M5 x 50 mm, Torx Slotted Recessed Pan Hd.).....	2	27	570373002	Fuel Line (45 mm).....	1
2	638027002	Heat Shield.....	1	28	690700001	Hose Clip	1
3	660870001	Screw Recess Pan Hd.)	3	29	690840001	Nut (M5 x .8 mm)	2
4	638268001	Screen.....	1	30	900711008	Insulator Gasket.....	1
5	300748021	Muffler Assembly (Inc. Key Nos. 3-4)	1	31	310816001	Fuel Cap Assembly	1
6	630002006	Muffler Gasket.....	1	32	310833001	Fuel Tank and Cap Assembly (Inc. Key Nos. 31, 45-48)	1
7	870174001	Spark Plug (RCJ6Y)	1	33	690695001	Washer	2
8	308004001	Starter Cup.....	1	34	660353001	Clutch Screw.....	2
9	590470001	Engine Housing, Rear	1	35	660344001	Screw (M5 x 20 mm Torx Slotted Recessed Pan Hd.).....	4
10	660563001	Screw (M4 x 16 mm, Torx Recessed Pan Hd.)	4	36	300754023	Front Housing Assembly.....	1
11	308430001	Starter Recoil Assembly.....	1	37	690696001	Curved Washer	2
12	660351001	Screw (M5 x 16 mm, Torx Slotted).....	7	38	300756006	Clutch Assembly	1
13	518329001	Heat Dam Insulator	1	39	690689001	Rotor Nut	1
14	900711003	Carburetor Gasket	1	40	640574002	Rotor	1
15	660344003	Screw (M5 x 31 mm Torx Slotted Recessed Pan Hd.).....	2	41	690688001	Woodruff Key (10 mm x 3 mm)	1
16	308480001	Carburetor Assembly	1	42	290143001	Lead Wire, Black.....	1
17	590458001	Choke Lever.....	1	43	660349001	Screw (M4 x 22 mm, Torx Slotted Recessed Pan Hd.).....	2
18	518130001	Carburetor Plate.....	1	44	290178006	Coil Boot Assembly	1
19	590946001	Choke Plate.....	1	45	300759005	Fuel Filter	1
20	660345001	Screw (M4 x 12 mm, Slotted Recessed Pan Hd.)	1	46	570373016	Fuel Line (150 mm).....	1
21	300780002	Primer Assembly	1	47	570373010	Fuel Line (118 mm).....	1
22	308478001	Filter Housing Assembly (Inc. Key Nos. 17-21)	1	48	560878002	Grommet.....	1
23	660346001	Screw (M5 x 60 mm, Slotted Recessed Pan Hd. Machine).....	2	49	290143002	Lead Wire, Red	1
24	560873001	Element	1	50	901697001	Gasket.....	1
25	308207004	Cover Assembly	1	NOT SHOWN:			
26	690699001	Hose Clip	2	000998216	Spark Arrestor Kit (Inc. Key Nos. 3-4 & 6)	1	
				120900107	High Altitude Kit	1	

To locate a source for replacement parts,
contact us toll free at 1-866-574-9242 (US) or 1-866-574-9243 (Canada).



This product is manufactured under license from The Toro Company by Techtronic Industries North America, Inc.

Techtronic Industries North America, Inc.

1428 Pearman Dairy Rd.

Anderson, SC 29621

USA

Customer Service Information

If your product requires service or maintenance,
contact your nearest authorized service dealer.

To locate your nearest authorized service dealer for this product,
contact us toll free at 1-866-574-9242 (US) or 1-866-574-9243 (Canada).