



Straight Shaft String Trimmer

Model No. 51972—260000001 & Up

Parts Catalog

Ordering Replacement Parts

To order replacement parts, please supply: the part number, the quantity, and the description of each part.

Understanding Reference Numbers

Each identified part in an illustration has a reference number. The reference number for a part also appears in the list, along with other information about the part.

Understanding Figure Numbers

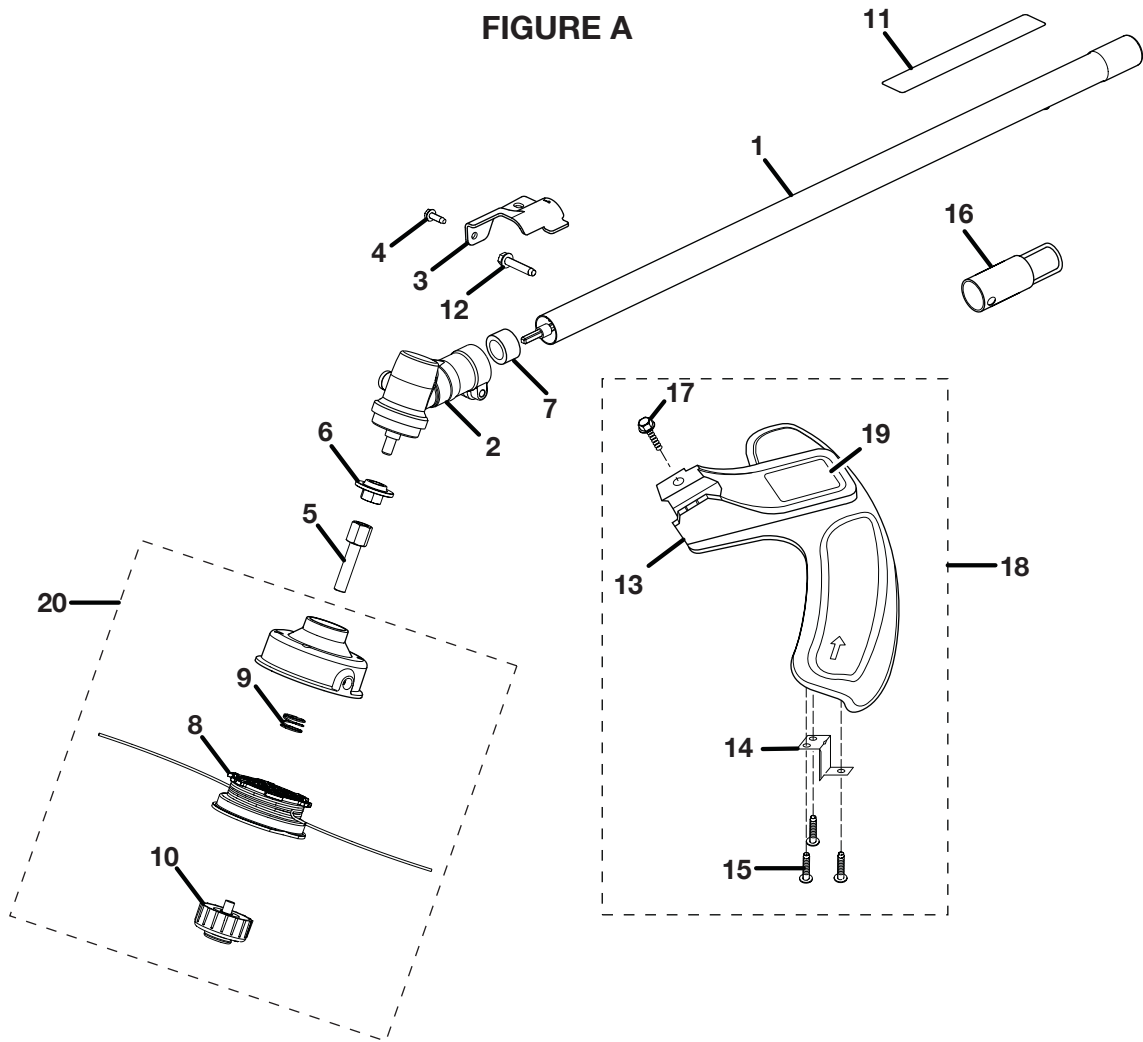
This catalog uses two special reference number formats, one to indicate parts in a service assembly and another to indicate a Figure Number.

Figure Numbers are represented as a Sub-Assembly which follow the exploded views.

Sub-Assemblies can be ordered as an Assembly or you may order any part individually.

TORO STRING TRIMMER – MODEL NUMBER 51972

FIGURE A

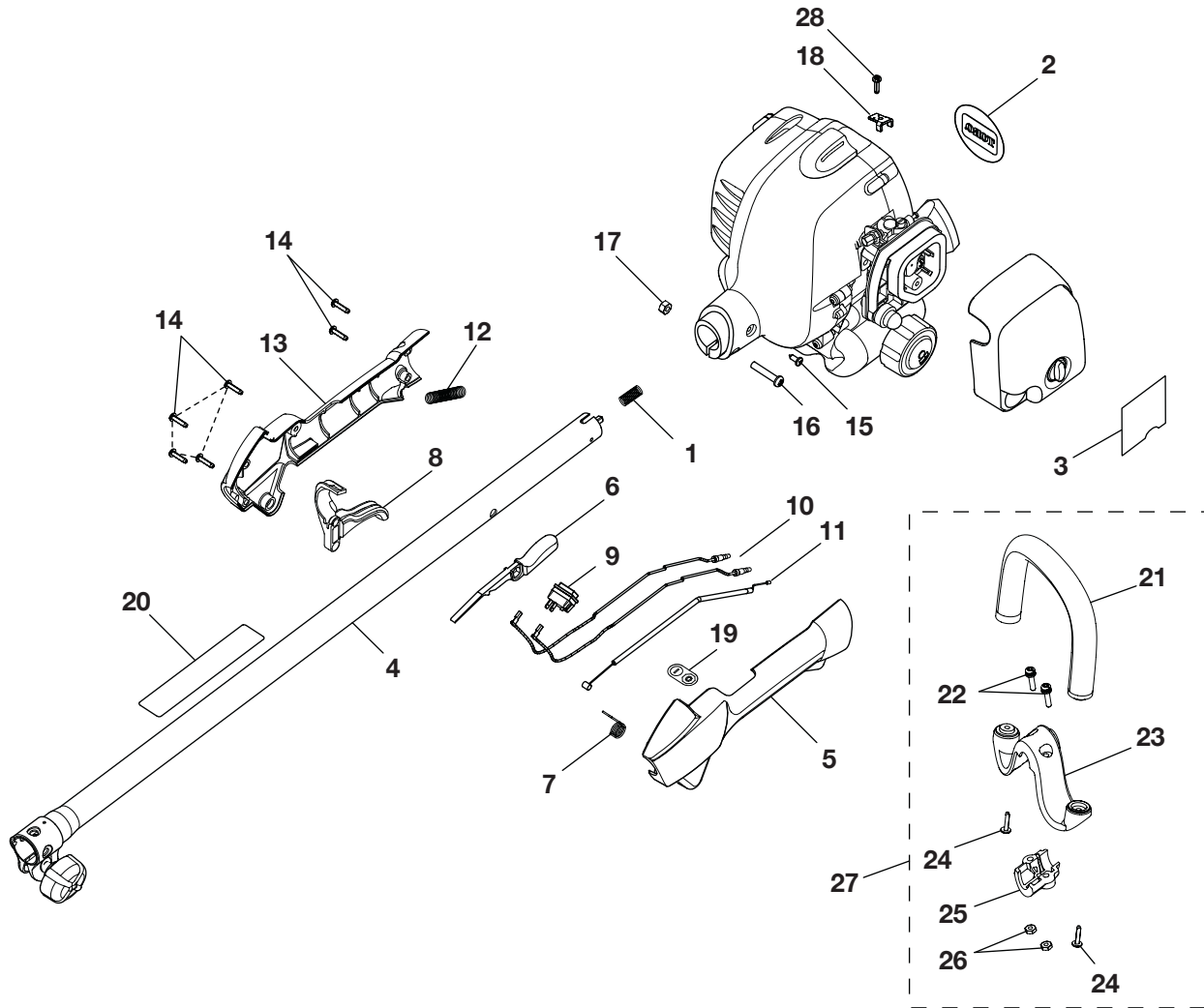


KEY PART NO. NUMBER	DESCRIPTION	QTY.
1	000998232 STRAIGHT SHAFT ASSEMBLY (INC. KEY NO. 11)	1
2	308053004 GEAR CASE ASSEMBLY	1
3	638125001 GRASS DEFLECTOR CLAMP	1
4	660736001 SCREW (#10-24 X 5/8 in. HEX WASHER HD.)	1
5	678019002 TRIMMER HEAD SHAFT ADAPTOR	1
6	678011002 FLANGED WASHER	1
7	518367001 SPACER	1
8	308044003 SPOOL WITH LINE (.095)	1
9	678022001 COMPRESSION SPRING	1
10	308042003 RETAINING CAP, LEFT-HANDED THREAD	1
11	940230129 WARNING LABEL	1
12	660642001 SCREW (1/4-20 X 1-1/4 in.)	1
13	518126001 GRASS DEFLECTOR	1
14	638020002 LINE CUTTING BLADE	1
15	660669001 SCREW	3
16	518019001 HANGER CAP	1
17	660738002 SCREW (#1/4-20 X 1-1/4 in. HEX WASHER HD.)	1
18	308467001 GRASS DEFLECTOR ASSEMBLY (INC. KEY NOS. 13-15, 17, AND 19)	1
19	940627020 GRASS DEFLECTOR LABEL	1
20	000998265 TRIMMER HEAD ASSEMBLY (INC. KEY NOS. 8, 9, AND 10) (.095)	1

To locate a source for replacement parts,
contact us toll free at 1-866-574-9242 (US) or 1-866-574-9243 (Canada).

TORO STRING TRIMMER – MODEL NUMBER 51972

FIGURE B

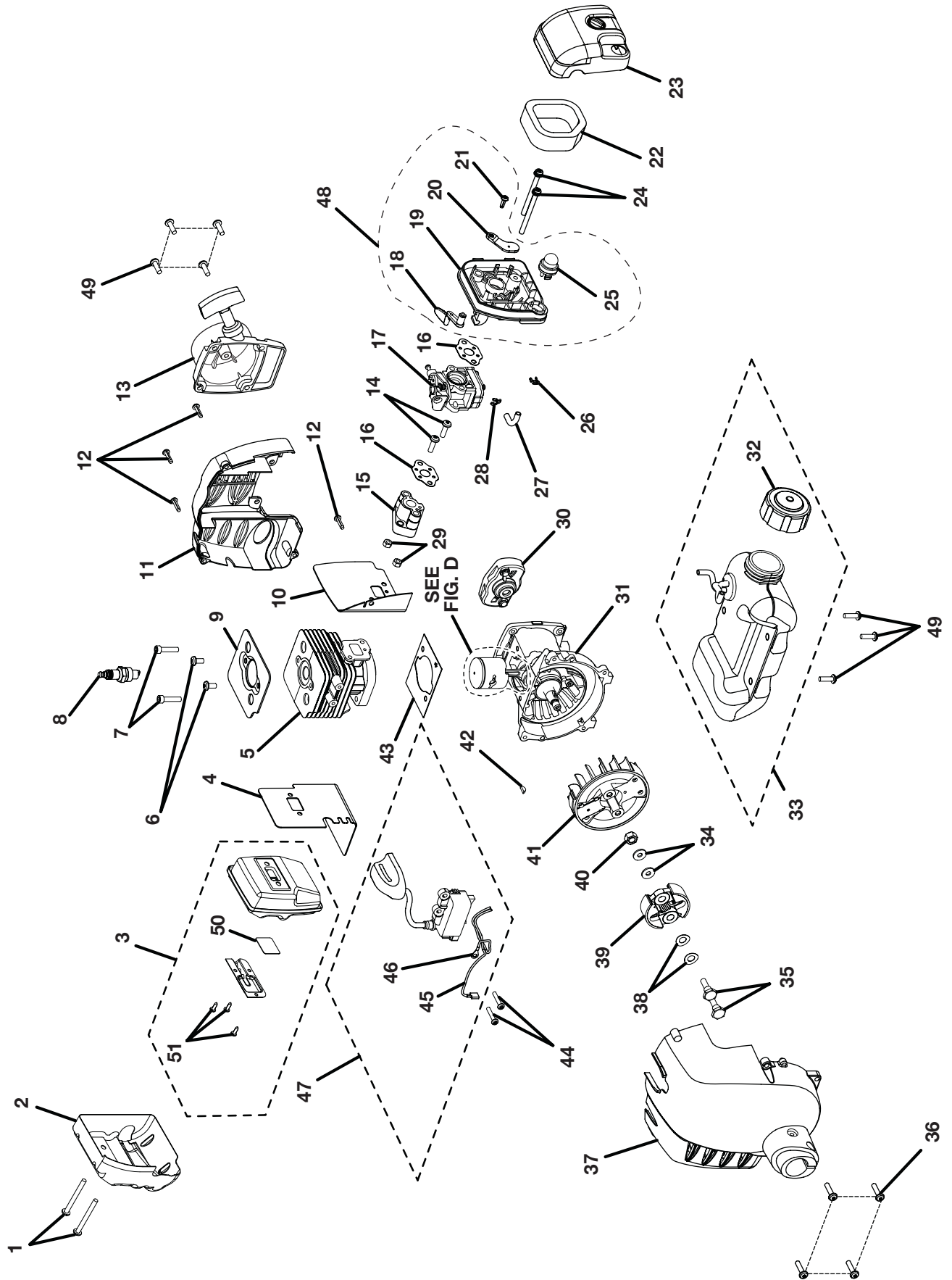


KEY PART NO. NUMBER	DESCRIPTION	QTY.
1 690140011	COMPRESSION SPRING.....	1
2 950060008	LOGO PLATE.....	1
3 940686004	LOWER START LABEL.....	1
4 000998234	UPPER SHAFT ASSEMBLY (INC. KEY NO. 20)	1
5 518122001	REAR HANDLE SUPPORT.....	1
6 518125001	LOCK-OFF BUTTON.....	1
7 690694002	TRIGGER SPRING	1
8 518124001	TRIGGER.....	1
9 760394001	SWITCH WITH DUST SHIELD ..	1
10 770670001	LEAD	2
11 308225003	CABLE, THROTTLE.....	1
12 518210004	CORRUGATED TUBE.....	1
13 518123001	REAR HANDLE COVER	1
14 660563002	SCREW (M4 X 16 mm).....	6
15 660669001	SCREW (#8-16 X 1/2 in. TRI-LOBULAR).....	1

KEY PART NO. NUMBER	DESCRIPTION	QTY.
16 T660697001	SCREW (M6 X 1-30 mm).....	1
17 678029002	HEX NUT	1
18 638133001	THROTTLE CABLE CLAMP	1
19 940627017	ON/OFF LABEL.....	1
20 940230129	WARNING LABEL	1
21 000998217	ASSIST HANDLE W/GRIP.....	1
22 660653001	SCREW (#12-24 X 1 in.).....	2
23 518038001	M CLAMP.....	1
24 660637001	SLOTTED TORX SCREW	2
25 518020001	CLAMP.....	1
26 678106001	HEX NUT (12-24).....	2
27 308056001	ASSIST HANDLE ASSEMBLY ...	1
28 660734001	SCREW (M4 X 16 mm).....	1
983000854	OPERATOR'S MANUAL	
983000854R	REPAIR SHEET	

To locate a source for replacement parts, contact us toll free at 1-866-574-9242 (US) or 1-866-574-9243 (Canada).

FIGURE C



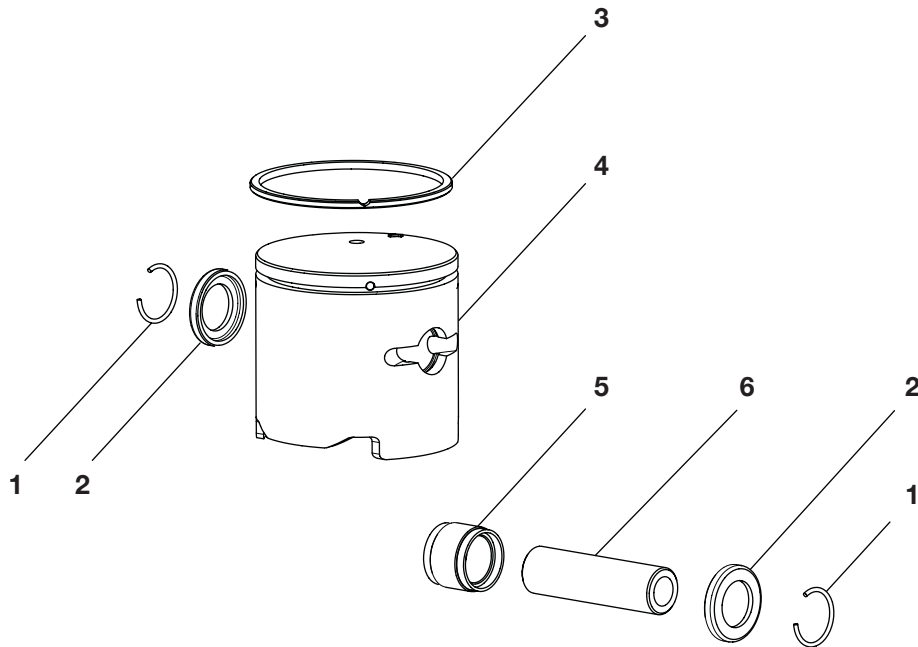
TORO STRING TRIMMER – MODEL NUMBER 51972

FIGURE C - PARTS LIST

KEY PART NO. NUMBER	DESCRIPTION	QTY.	KEY PART NO. NUMBER	DESCRIPTION	QTY.
1	660347001	SCREW (M5 X 50 mm TORX SLOTTED RECESSED PAN HD.) ...	28	690699001	HOSE CLIP 1
		2	29	690840001	NUT (M5 x .8 mm)..... 2
2	638027002	HEAT SHIELD..... 1	30	308004001	PULLEY ASSEMBLY 1
3	300748015	MUFFLER ASSEMBLY 1	31	300749004	CRANKCASE ASSEMBLY..... 1
4	630002006	MUFFLER GASKET..... 1	32	300758006	FUEL CAP ASSEMBLY 1
5	640570016	CYLINDER 1	33	300757002	FUEL TANK ASSEMBLY (INCLUDES KEY NO. 32) 1
6	660351002	SCREW (M5 X 10 in. TORX RECESSED PAN HD.) 2	34	690695001	WASHER..... 2
7	660342001	SCREW (M5 X 22 mm SOCKET HD.)..... 2	35	660353001	CLUTCH SCREW..... 2
8	870170001	SPARK PLUG..... 1	36	660344001	SCREW (M5 X 20 mm TORX SLOTTED RECESSED PAN HD.) ... 4
9	630002021	CYLINDER PLATE..... 1	37	300754010	FRONT HOUSING ASSEMBLY 1
10	900711006	INSULATOR GASKET 1	38	690696001	CURVED WASHER 2
11	590470001	ENGINE HOUSING, REAR..... 1	39	300756001	CLUTCH ASSEMBLY 1
12	660563001	SCREW (M4 X 16 mm TORX RECESSED PAN HD.)..... 4	40	690689001	ROTOR NUT 1
13	308430001	STARTER RECOIL ASSEMBLY 1	41	640574001	ROTOR..... 1
14	660344003	SCREW (M5 X 31 mm Torx SLOTTED RECESSED PAN HD.) ... 2	42	690688001	WOODRUFF KEY (10 mm X 3 mm)..... 1
15	518329001	HEAT DAM INSULATOR 1	43	900709001	GASKET 1
16	900711003	CARBURETOR GASKET..... 2	44	660349001	SCREW (M4 X 22 mm TORX SLOTTED RECESSED PAN HD.) ... 2
17	308480001	CARBURETOR ASSEMBLY 1	45	290143001	LEAD ASSEMBLY, BLACK..... 1
18	590458001	CHOKE LEVER..... 1	46	290143002	LEAD ASSEMBLY, RED..... 1
19	518130001	CARBURETOR PLATE 1	47	290178004	COIL BOOT ASSEMBLY (INCLUDES KEY NOS. 45 & 46)..... 1
20	590946001	CHOKE PLATE 1	48	308478001	FILTER HOUSING ASSEMBLY 1
21	660345001	SCREW (M4 X 12 mm SLOTTED RECESSED PAN HD.) 1	49	660351001	SCREW (M5 X 16 MM TORX SLOTTED)..... 7
22	560873001	ELEMENT..... 1	50	638268001	SCREEN..... 1
23	308207004	COVER ASSEMBLY 1	51	660870001	SCREW (RECESS PAN HD) 3
24	660346001	SCREW (M5 X 60 mm, SLOTTED RECESSED PAN HD. MACHINE)... 2	52	000998216	SPARK ARRESTOR KIT (NOT SHOWN INC. KEY NOS. 4, 50, AND 51)..... 1
25	300780002	PRIMER ASSEMBLY 1			
26	690700001	HOSE CLIP 1			
27	560880002	FUEL LINE..... 1			

To locate a source for replacement parts,
contact us toll free at 1-866-574-9242 (US) or 1-866-574-9243 (Canada).

FIGURE D



KEY PART NO.	PART NUMBER	DESCRIPTION	QTY.
1	690691001	WRIST PIN CLIP RING	2
2	690687001	WASHER	2
3	690161002	PISTON RING.....	1
4	640920002	PISTON.....	1
5	690686002	NEEDLE BEARING (ID 8 X 8.8).....	1
6	620301001	WRIST PIN.....	1

To locate a source for replacement parts,
 contact us toll free at 1-866-574-9242 (US) or 1-866-574-9243 (Canada).



OWT Industries, Inc.

P.O. Box 35
Highway 8
Pickens, SC 29671
USA

Customer Service Information

If your product requires service or maintenance,
contact your nearest authorized service dealer.

To locate your nearest authorized service dealer for this product,
contact us toll free at 1-866-574-9242 (US) or 1-866-574-9243 (Canada).