



17 in. Gas Trimmer - Curved Shaft

Model No. 51955—311000001 & Up

Parts Catalog

Ordering Replacement Parts

To order replacement parts, please supply: the part number, the quantity, and the description of each part.

Understanding Reference Numbers

Each identified part in an illustration has a reference number. The reference number for a part also appears in the list, along with other information about the part.

Understanding Figure Numbers

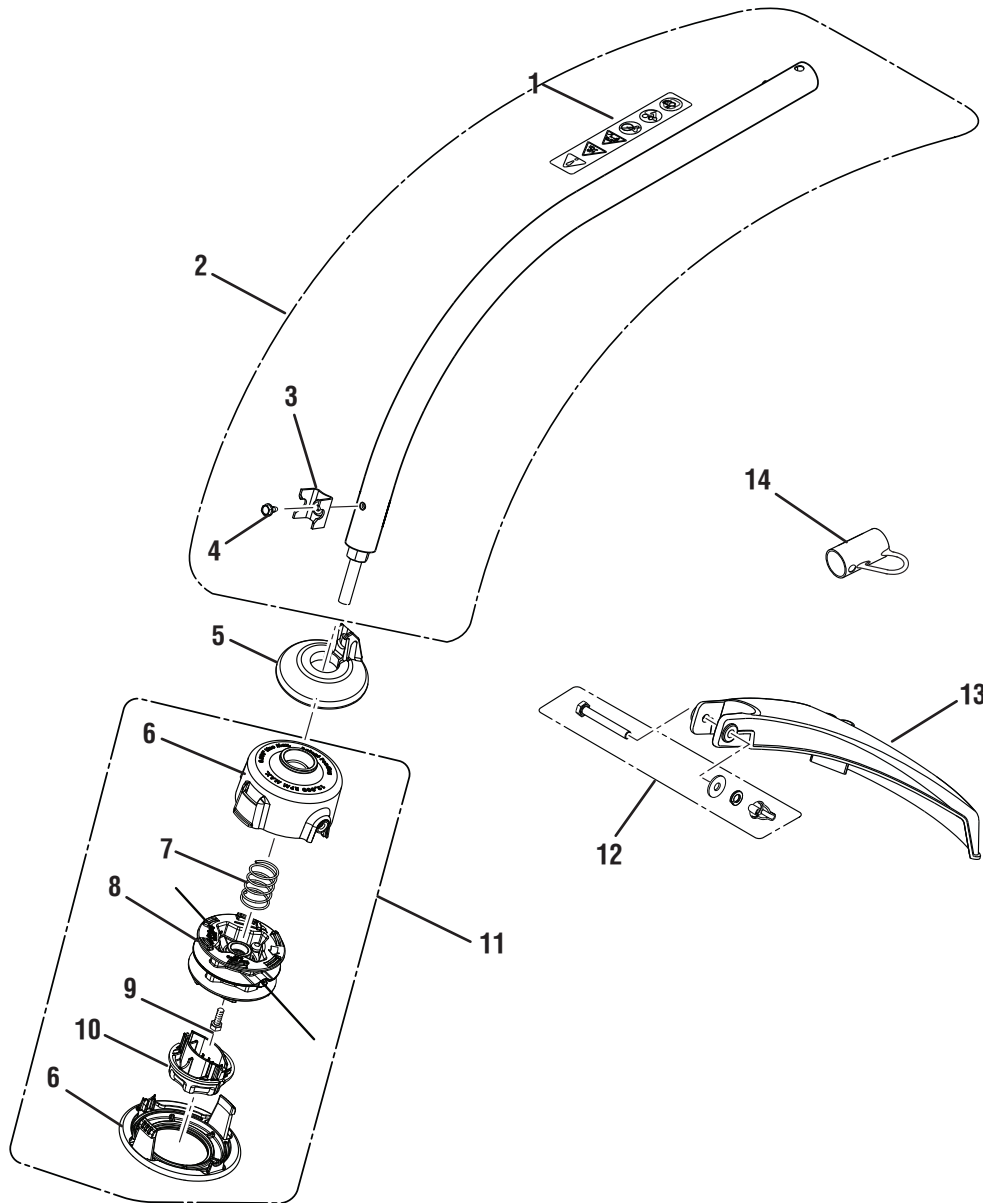
This catalog uses two special reference number formats, one to indicate parts in a service assembly and another to indicate a Figure Number.

Figure Numbers are represented as a Sub-Assembly which follow the exploded views.

Sub-Assemblies can be ordered as an Assembly or you may order any part individually.

TORO STRING TRIMMER – MODEL NUMBER 51955

FIGURE A

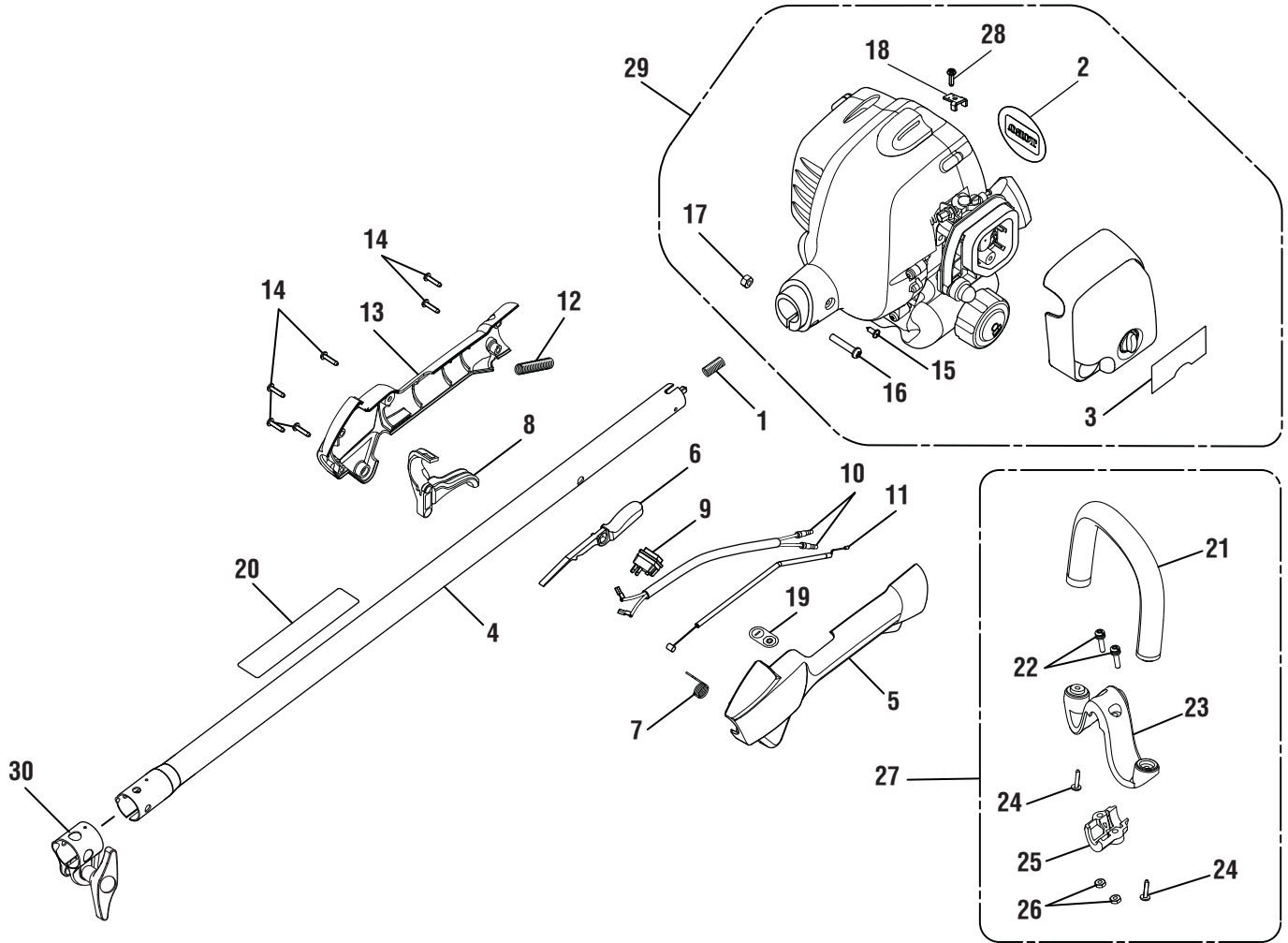


KEY PART NO. NUMBER	DESCRIPTION	QTY.
1	940230132 Warning Label.....	1
2	308841011 Curved Shaft Assembly (Inc. Key Nos. 1, 3 and 4)	1
3	638001001 Clamp	1
4	660647001 Screw (#10-32 x 3/8 in., Hex Washer Hd.)	1
5	522702001 Grass Shield	1
6	308827003 Stringhead Housing.....	1
7	678749001 Compression Spring.....	1
8	308924002 Spool	1
9	660650001 Bolt (5/16-18 x 1/2 in.).....	1
10	518803003 Bump Knob	1
11	308923014 Trimmer Head Assembly (.095) (Inc. Key Nos. 5-9).....	1
12	120650001 Fastener Parts Kit.....	1
13	308052005 Guard (Inc. Key No. 11)	1
14	518019002 Hanger Cap	1

To locate a source for replacement parts,
contact us toll free at 1-866-574-9242 (US) or 1-866-574-9243 (Canada).

TORO STRING TRIMMER – MODEL NUMBER 51955

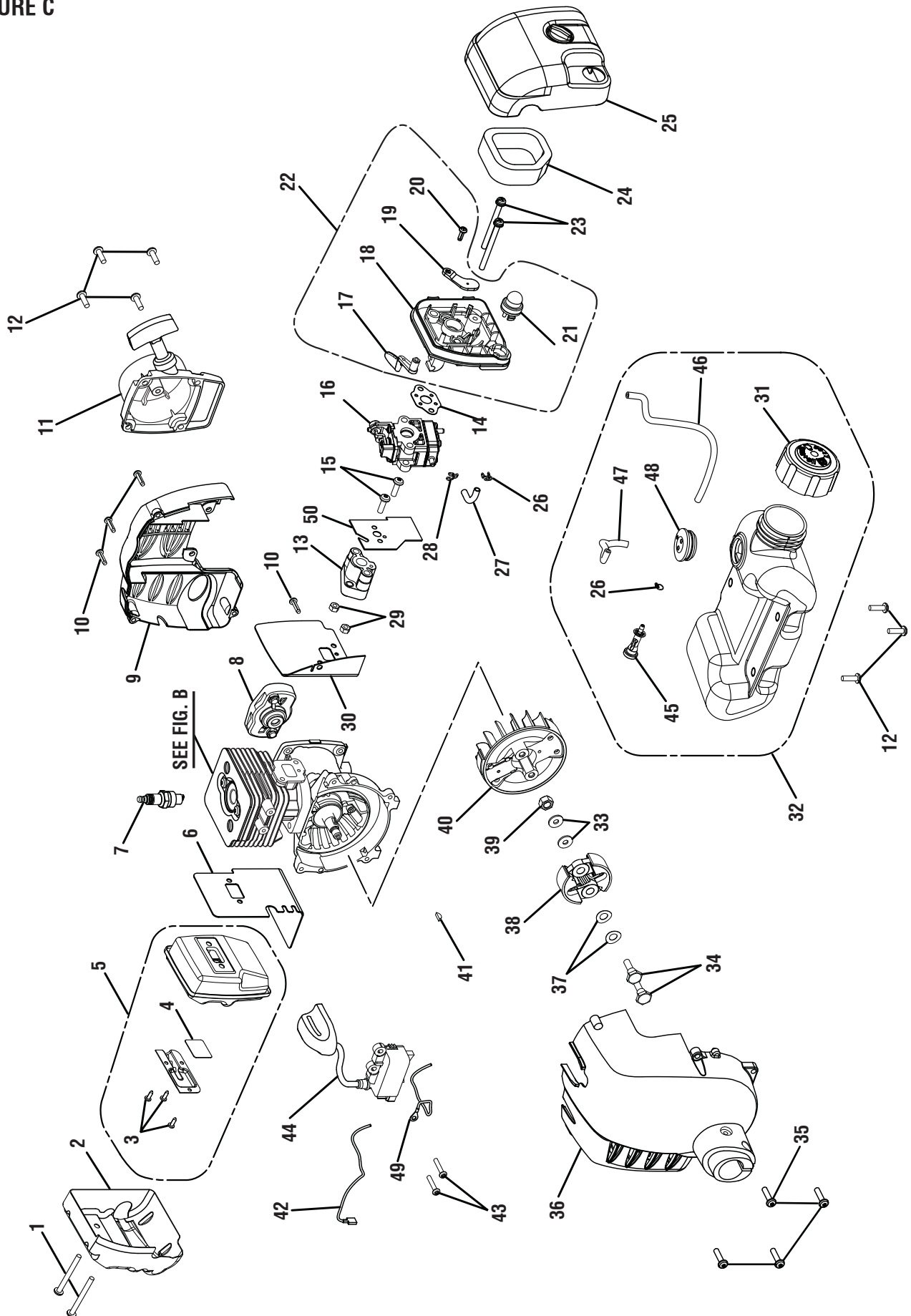
FIGURE B



KEY PART NO. NUMBER	DESCRIPTION	QTY.	KEY PART NO. NUMBER	DESCRIPTION	QTY.		
1	678906001	Compression Spring	1	16	T660697001	Screw (M6 x 1-30 mm).....	1
2	940865001	Logo Plate	1	17	678029002	Hex Nut (M6.3 x 1)	1
3	940686099	Lower Start Label.....	1	18	638133001	Throttle Cable Clamp	1
4	308159015	Upper Shaft Assembly (Inc. Key Nos. 20 and 30).....	1	19	940864003	On/Stop Label.....	1
5	518122001	Rear Handle Support	1	20	940657034	Warning Label	1
6	518125001	Lock-off Button	1	21	000998535	Front Handle w/Grip.....	1
7	690694002	Trigger Spring.....	1	22	660653005	Screw (#12-24 x 1 in., Slotted Torx)	2
8	518124001	Trigger	1	23	518038001	M Clamp.....	1
9	760700001	On/Stop Switch.....	1	24	660637002	Screw (10-14 x 1 in.)	2
10	308863029	Lead	1	25	518020001	Clamp.....	1
11	308225003	Cable, Throttle.....	1	26	678106001	Hex Nut (12-24).....	2
12	518210004	Corrugated Tube	1	27	308056003	Front Handle Assembly.....	1
13	518123001	Rear Handle Cover.....	1	28	660734001	Screw (M4 x 16 mm)	1
14	660563002	Screw (M4 x 16 mm)	6	29	308466012	Powerhead Assembly	1
15	660669001	Screw (#8-16 x 1/2 in. Tri-Lobular)	1	30	308045008	Boom Clamp	1
					988000575	Operator's Manual	

To locate a source for replacement parts,
contact us toll free at 1-866-574-9242 (US) or 1-866-574-9243 (Canada).

FIGURE C



TORO STRING TRIMMER – MODEL NUMBER 51955

FIGURE C - PARTS LIST

KEY PART NO. NUMBER	DESCRIPTION	QTY.	KEY PART NO. NUMBER	DESCRIPTION	QTY.		
1	660347001	Screw (M5 x 50 mm, Torx Slotted Recessed Pan Hd.).....	2	27	570373002	Fuel Line (45 mm).....	1
2	638027002	Heat Shield.....	1	28	690700001	Hose Clip	1
3	660870001	Screw Recess Pan Hd.)	3	29	690840001	Nut (M5 x .8 mm)	2
4	638268001	Screen.....	1	30	900711008	Insulator Gasket.....	1
5	300748021	Muffler Assembly (Inc. Key Nos. 3-4)	1	31	310816001	Fuel Cap Assembly	1
6	630002006	Muffler Gasket.....	1	32	310833001	Fuel Tank and Cap Assembly (Inc. Key Nos. 31, 45-48)	1
7	870174001	Spark Plug (RCJ6Y)	1	33	690695001	Washer	2
8	308004001	Starter Cup.....	1	34	660353001	Clutch Screw.....	2
9	590470001	Engine Housing, Rear	1	35	660344001	Screw (M5 x 20 mm Torx Slotted Recessed Pan Hd.).....	4
10	660563001	Screw (M4 x 16 mm, Torx Recessed Pan Hd.)	4	36	300754023	Front Housing Assembly.....	1
11	308430001	Starter Recoil Assembly.....	1	37	690696001	Curved Washer	2
12	660351001	Screw (M5 x 16 mm, Torx Slotted).....	7	38	300756006	Clutch Assembly	1
13	518329001	Heat Dam Insulator	1	39	690689001	Rotor Nut	1
14	900711003	Carburetor Gasket	1	40	640574002	Rotor	1
15	660344003	Screw (M5 x 31 mm Torx Slotted Recessed Pan Hd.).....	2	41	690688001	Woodruff Key (10 mm x 3 mm)	1
16	308480001	Carburetor Assembly	1	42	290143001	Lead Wire, Black.....	1
17	590458001	Choke Lever.....	1	43	660349001	Screw (M4 x 22 mm, Torx Slotted Recessed Pan Hd.).....	2
18	518130001	Carburetor Plate.....	1	44	290178016	Coil Boot Assembly	1
19	590946001	Choke Plate.....	1	45	300759005	Fuel Filter	1
20	660345001	Screw (M4 x 12 mm, Slotted Recessed Pan Hd.)	1	46	570373016	Fuel Line (150 mm).....	1
21	300780002	Primer Assembly	1	47	570373010	Fuel Line (118 mm).....	1
22	308478001	Filter Housing Assembly (Inc. Key Nos. 17-21)	1	48	560878002	Grommet.....	1
23	660346001	Screw (M5 x 60 mm, Slotted Recessed Pan Hd. Machine).....	2	49	290143002	Lead Wire, Red	1
24	560873001	Element	1	50	901697001	Gasket.....	1
25	308207004	Cover Assembly.....	1	NOT SHOWN:			
26	690699001	Hose Clip	2	000998216	Spark Arrestor Kit (Inc. Key Nos. 3-4 & 6)	1	
				120900107	High Altitude Kit	1	

To locate a source for replacement parts,
contact us toll free at 1-866-574-9242 (US) or 1-866-574-9243 (Canada).



This product is assembled by Techtronic Industries North America, Inc.
under license from the Toro Company

Techtronic Industries North America, Inc.

P.O. Box 35 Highway 8

Pickens, SC 29671

1-866-574-9242 (US) or 1-866-574-9243 (Canada)

USA

Customer Service Information

If your product requires service or maintenance,
contact your nearest authorized service dealer.

To locate your nearest authorized service dealer for this product,
contact us toll free at 1-866-574-9242 (US) or 1-866-574-9243 (Canada).04